



Southeast Regional Service Center

Electrical Products Stocking Catalog



Building Better Together... locally!

You don't need multiple manufacturers. You need a better one.

Nationwide footprint. Localized service.

With a unique portfolio of electrical solutions, Atkore is committed to growing your business, reducing your lead times, lowering your transactional costs and maximizing your sales potential. Whether your project involves a hospital, manufacturing plant, data center, campus or high rise - Atkore has the products locally in stock that meet your unique needs.

That's why Atkore Regional Service Centers are a one-stop shop. Experience one order, one delivery and one invoice for a faster and simpler process. Tell us what you need, and we'll bundle a complete portfolio of products tailored to your exact specifications.

Co-Load Supply Capabilities

- Achieve freight minimum with maximum efficiency
- Combine multiple product lines into one order

Will Call Services

- Get same-day orders in as little as two hours and track them in the Will Call App

Breadth of Products

- Each center offers thousands of electrical products in stock

Southeast Regional Service Center Electrical Products Stocking Catalog

Atkore's Southeast Regional Service Center Electrical Products Stocking Catalog contains over 1900 items in stock spanning from cable systems, metal framing, cable tray systems, conduit, elbows, sweeps and fittings - all ready for delivery to your local destination.

This interactive catalog presents 37 (and growing) different product categories, with access to product specification tables, part number ordering information, product features, certifications and compliances, and deeper links to brand specific technical product information if needed.

Contact us at
rscustomerservice@atkore.com

**One Order.
One Delivery.
One Invoice.**



Table of Contents

↓ Click below to view product section

Introduction	2
Cable Systems	5
Armored Cables (Type AC)	
Armored Fire Alarm/Control Cable	
Metal Clad Cables (Type MC)	
Type MC Cables – Aluminum Metal Clad Cables	
Type MC Cables – Specialty Cable	
Type MC Cables – Steel Metal Clad Cable	
Type MCI-A Cables – Armor + Bond = Equipment Ground Path	
Type MC-PCS Cables – Power + Control/Signal Cable (Luminary)	
Cable Tray Systems	57
Introduction	
Wire Basket	
Aickinstrut Fiberglass Framing System	
Conduit	81
Aluminum Rigid Conduit (ARC)	
EMT Conduit	
Flexible Metal Conduit (FMC)	
Galvanized Rigid Steel Conduit (GRC)	
Intermediate Metal Conduit (IMC)	
LiquidTight Flexible Metal Conduit	
LiquidTight Flexible Non-Metallic Conduit	
PVC Conduit	
PVC Coated Conduit	
Elbows & Sweeps	123
Aluminum Rigid Conduit (ARC) Elbows	
EMT Elbows & Sweeps	
Fiberglass Elbows & Sweeps	
Galvanized Rigid Conduit (GRC) Elbows & Sweeps	
PVC Elbows & Sweeps	
PVC Coated Elbows	
Fittings	154
Aluminum Rigid Conduit (ARC) Fittings	
Die Cast Fittings	
EMT Fittings	
Flex AC & MC Fittings	
Form 5 Aluminum Conduit Bodies	
Form 5 Iron Conduit Bodies	
Galvanized Rigid Conduit (GRC) Fittings	

Table of Contents (continued)

↓ Click below to view product section

Fittings 154

- LiquidTight Fittings
- Miscellaneous Fittings
- PVC Fittings
- PVC Coated Fittings
- Rigid Fittings

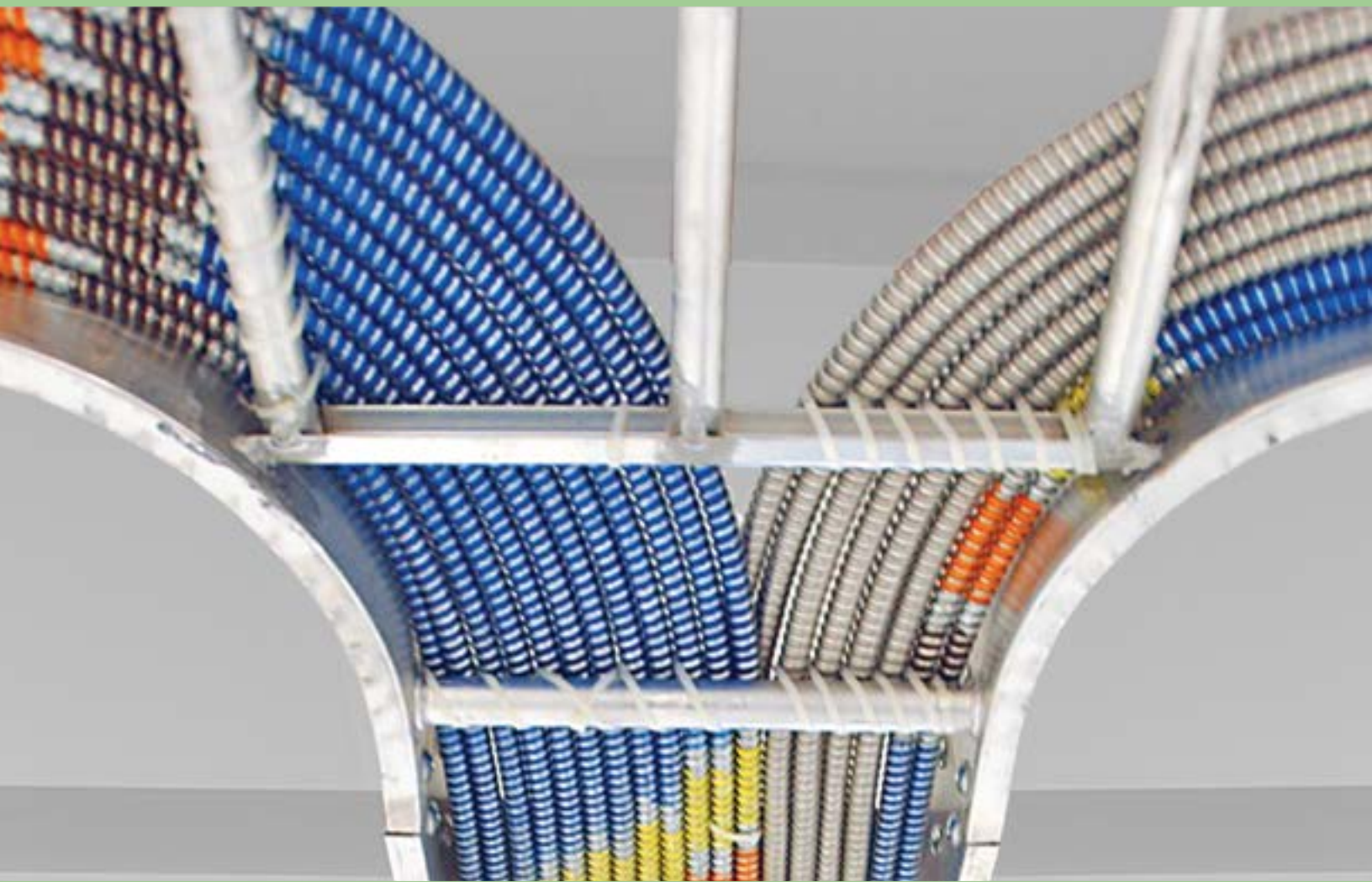
Strut Systems 270

- Product Introduction
- Channel
- Fittings

Index 376



CABLE SYSTEMS



AFC Cable Systems
Kaf-Tech

Cable Systems - Table of Contents

↓ [Click below to view product section](#)

Armored Cables (Type AC)

Armored Fire Alarm/Control Cable

Metal Clad Cables (Type MC)

 Type MC Cables - Aluminum Metal Clad Cables

 Type MC Cables - Specialty Cable

 Type MC Cables - Steel Metal Clad Cable

 Type MCI-A Cables - Armor + Bond = Equipment Ground Path

 Type MC-PCS Cables - Power + Control/Signal Cable (Luminary)



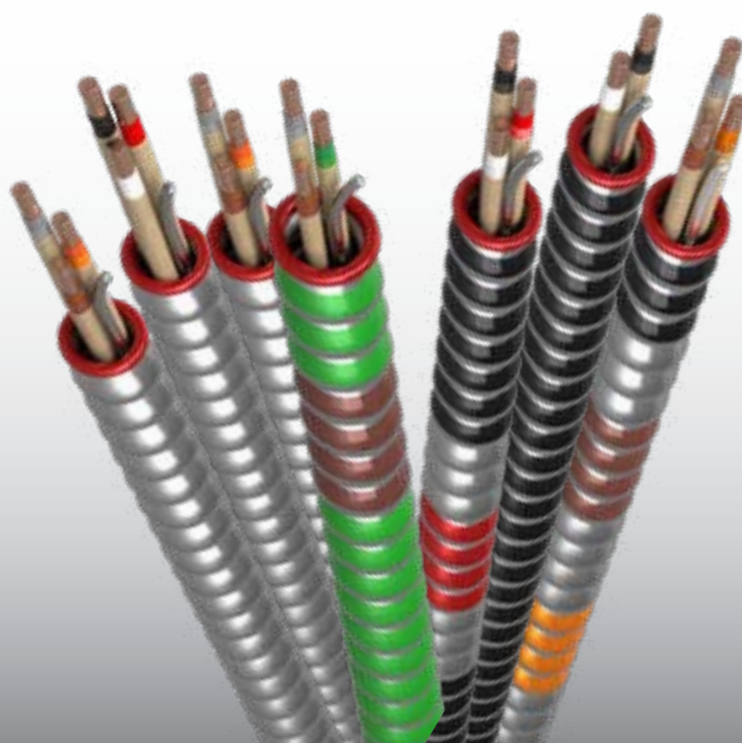
ARMORED CABLES (TYPE AC)

AFC Cable Systems
Kaf-Tech

Table of Contents

↓ Click below to view product section

HCF-Lite®



Armored Cables (Type AC)

[Click brand for more product info](#) ↓

[AFC Cable Systems](#)
[Kaf-Tech](#)

HCF-Lite® Aluminum Healthcare Facilities Cable Type AC (120/208V & 277/480V) Technical Specifications



Armor & Jacket

- Aluminum Interlocked (Green) with ColorSpec® ID / ColorTrak ID

Conductors

- Solid/Stranded Copper (See Below)

Conductor Insulation

- THHN

Conductor Insulation Covering

- Moisture Resistant Fire Retardant Paper Wrap

Maximum Temperature Rating

- 90°C (Dry) Type ACTHH

Grounding

- 16 AWG Integral Bond Wire/Armor Combination per 250.118(8) and Green Insulated Copper Grounding Conductor per 250.118(1)

Neutral Conductor

- White 120/208V
- Gray 277/480V

Maximum Voltage Rating

- 600V

Features & Benefits

- Interlocked galvanized aluminum strip
- Easy to identify green armor
- Full size green insulated copper grounding conductor plus armor/bond wire combination provides redundant ground or isolated grounding capability

References & Ratings

- UL 4, 83, 1479, 1581, 2556, File Reference E7330
- NEC® 250.118(8), 300.22(C), 320, 392, 517.13, 518, 645
- NEC® 300.22(C) Environmental Air Handling Spaces (Plenum)
- UL Classified 1, 2, and 3 hour through (Fire) penetration product, R14141
- Cable Tray Rated, install per NEC®
- Federal Specification A-A-59544 (formerly J-C-30B)
- Meets all applicable OSHA and HUD Requirements
- Made in USA of US and/or imported materials
- Aluminum armored cables are RoHS compliant

For bond wire termination details, click on these links for [MC & AC Cables Installation](#) and [Installation Instructions](#).

Armored Cables (Type AC)

HCF-Lite® Aluminum Healthcare Facilities Cable Type AC (120/208V & 277/480V) Technical Specifications

[Click brand for more product info](#) ↓

[AFC Cable Systems](#)
[Kaf-Tech](#)

Part Number		Trade Size	Grounding Conductor AWG	Approx. Weight/ 1,000 ft	Approx. Armor O.D. (in)
250' Coil	1000' Reel				
120/208V					
2804G42-00	2804G60-00	12-2 Solid (Black, White)	12 Solid (Green)	132	0.545
2805G42-00	—	12-3 Solid (Black, Red, White)	12 Solid (Green)	171	0.581
120/208V Specialty Colors					
2804G42-04	—	12-2 Solid (Red, White)	12 Solid (Green)	132	0.545
2804G42-05	—	12-2 Solid (Blue, White)	12 Solid (Green)	132	0.545

NOTE: All dimensions and weights are subject to normal manufacturing tolerances.
Not to be used with set screw type fittings or on DC circuits.

* Special Order, Subject to lead time and minimum order quantities

**Emergency circuits require special consideration in healthcare settings.
Review NEC® 517.30 (C)(3)(3) for guidance on the use of HCF cables on emergency circuits.**



ARMORED FIRE ALARM/CONTROL CABLE

AFC Cable Systems
Kaf-Tech

Table of Contents

↓ [Click below to view product section](#)

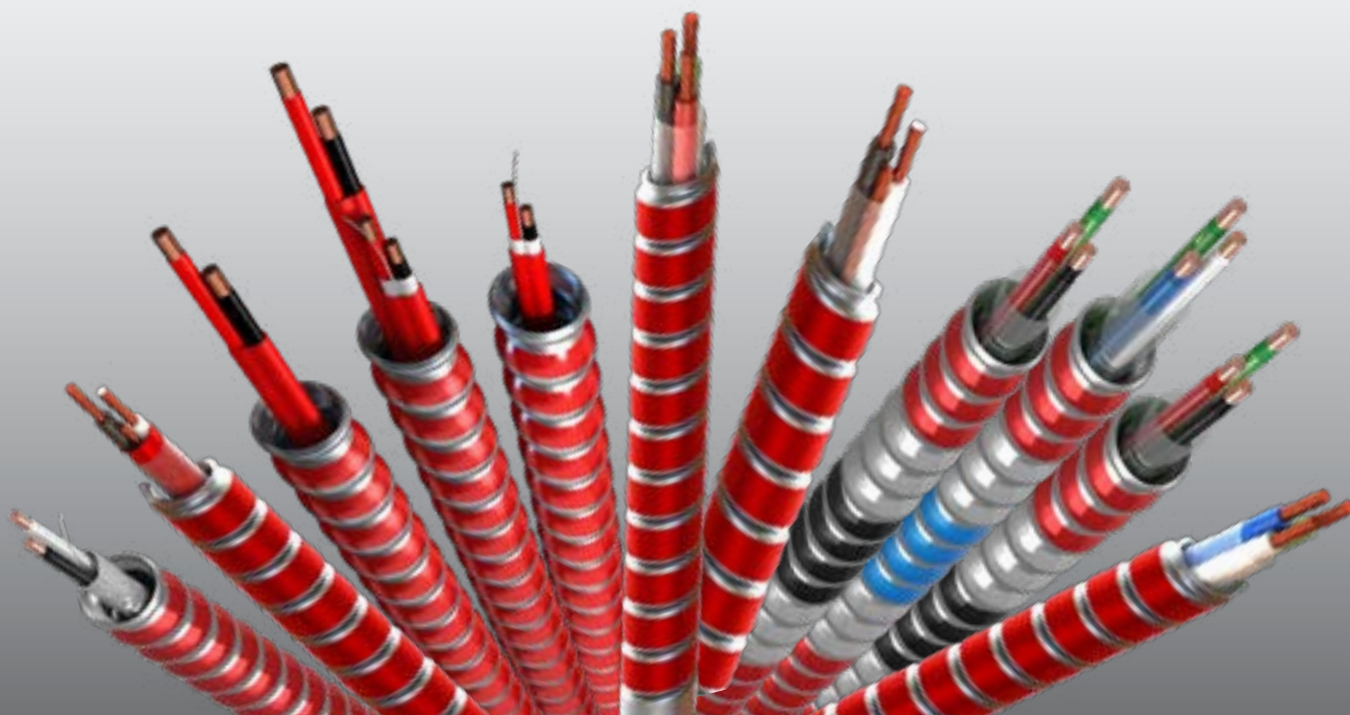
Armored Power Limited Fire Alarm Circuit Cable - Type FPLP

Fire Alarm/Control Cable™ - Dual Rated Type MC/FPLP

MC Glide Fire Alarm/Control Cable™ - Dual Rated Type MC/FPLP

MC Glide Fire Alarm/Control Cable™ - Dual Rated Type MC/FPLP with Phase ID

MC Glide Fire Alarm/Control Cable™ - Type FPLP

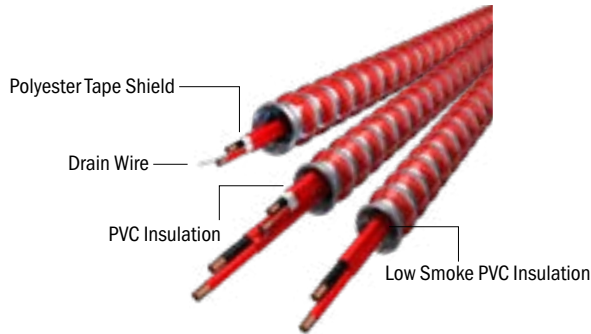


Armored Fire Alarm/Control Cable

Click brand for more product info ↓

[AFC Cable Systems](#)
[Kaf-Tech](#)

Armored Power Limited Fire Alarm Circuit Cable - Type FPLP Plenum Rated Technical Specifications



Armor

- Interlocked Galvanized Red Steel Strip

Jacket

- Red Plenum-Rated Low Smoke PVC
- Nylon Ripcord for Ease of Jacket Stripping

Assembly/Conductors

- Copper Conductors
- Low-Smoke Plenum PVC Insulation
- Aluminum/Polyester Tape Shield
- Tinned Copper Drain Wire
- Maximum Continuous Operating Temperature
- -10°C to 75°C

Maximum Voltage Rating

- 300V

Applications

- Fire Alarm, Signal
- Monitor/Detection
- Audio or Control Circuits

References & Ratings

- Manufactured in accordance with UL 1424 - Standard for Power-Limited Fire-Alarm Circuits and Listed under UL File Number E83514
- UL Classified Through-Penetrating product (XHLY) in accordance with UL 1479 under UL File Number R14141
- For use in accordance with NEC® Article 760 Part III Power-Limited Fire Alarm (PLFA) Circuits and other applicable sections of the NEC®
- Suitable for use as taps for fire and sprinkler alarms in accordance with NEC® 230.82(5)
- Suitable for use in Health Care Facilities Patient Care Spaces in accordance with NEC® 517.80
- Suitable for use in Health Care Facilities for other than Patient Care Spaces in accordance with NEC® 517.81
- Suitable for connection to the life safety branch in accordance with NEC® 517.33(C) AND 517.43(C)
- Made in USA of US and /or imported materials

Armored Fire Alarm/Control Cable

Armored Power Limited Fire Alarm Circuit Cable - Type FPLP Plenum Rated Technical Specifications

Click brand for more product info ↓

[AFC Cable Systems](#)
[Kaf-Tech](#)

Part Number		Trade Size	Approx. Weight/ 1,000ft	Approx. Armor O.D.
250' Coil	1000' Reel		(lb)	(in)
Unshielded				
PL01R42-06	PL01R60-06	18-2 Twisted (Black, Red)	107	0.445
PL03R42-46**	—	18-4 Twisted (Black, Red, Blue, Yellow)	120	0.445
—	PL10R60-06	16-2 Twisted (Black, Red)	114	0.445
—	PL34R60-06	14-2 Twisted (Black, Red)	125	0.445
Shielded				
—	PL50R60-06	18-2 Twisted Shielded (Black, Red)*	110	0.445
—	PL60R60-06	16-2 Twisted Shielded (Black, Red)*	115	0.445
Composite Cable				
PL91R42-06	PL91R60-06	16-2 Twisted Shielded (Black, Red)* 14-2 Twisted (Black, Red)	188	0.572

Note: Additional color combinations available

* Tinned Copper Drain Wire

** Special order, subject to lead times and minimum order quantities.

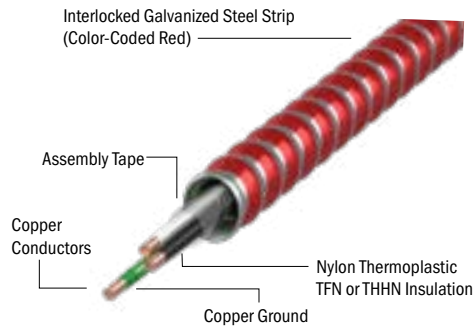
Part Number		Capacitance pF/foot	Impedance/ 1000 ft @ 20C (Ω)
250' Coil	1000' Reel		
PL01R42-06	PL01R60-06	31	59
PL03R42-46	—	24	59
—	PL10R60-06	27	54
—	PL34R60-06	25	52
—	PL50R60-06	71	29
—	PL60R60-06	69	30

Armored Fire Alarm/Control Cable

Click brand for more product info ↓

Fire Alarm/Control Cable™ – Dual Rated Type MC/FPLP Plenum Rated Technical Specifications

[AFC Cable Systems](#)
[Kaf-Tech](#)



Armor

- Interlocked Galvanized Steel Strip (Red)

Conductors

- Solid Copper

Conductor Insulation

- TFN 16 AWG and/or THHN 14 & 12 AWG

Assembly

- Polyester Assembly Tape; Twisted Shielded: Laminated Aluminum/Mylar® Shield with Tinned Copper Drain Wire

Maximum Temperature Rating

- FPLP: 105°C (Dry)
- MC: 90°C (Dry)

Grounding

- One or More Grounding Conductors May Be Bare or Insulated Green, See Chart Below

Neutral Conductor

- White (Where Applicable)

Maximum Voltage Rating

- 300V (FPLP)
- 600V (MC)

References & Ratings

- UL 66, 83, 1424, 1479, 1569, 1581, 2556, File Reference E80042
- NEC® 300.22(C), 330, 392, 430.2, 501, 502, 503, 504, 505, 518, 530, 645, 725, 760.154(A)
- Cable Tray Rated, install per NEC®
- Federal Specification A-A-59544 (formerly J-C-30B)
- UL Classified 1, 2, and 3 hour through (Fire) penetration product, R14141
- NEC® 300.22(C) Environmental Air Handling Spaces (Plenum)
- NFPA 262 (formerly UL 910) Plenum Rated – Type FPLP
- Made in USA of US and/or imported materials

Part Number		Trade Size	Grounding Conductor AWG	Approx. Weight/ 1,000 ft (lb)	Approx. Armor O.D. (in)
250' Coil	1000' Reel				
Twisted Shielded Pairs					
—	1828R60-00	14-2 Solid (1 TSP) (Black, White) †	14 Solid (Green)	178	0.565
—	1881R60-00	14-4 Solid (2 TSP) (Black, Red) (Blue, White) †	14-1 (Green)	255	0.690

NOTE: All dimensions and weights are subject to normal manufacturing tolerances.

† All drain wires are 18AWG Tinned Copper in TSP construction.

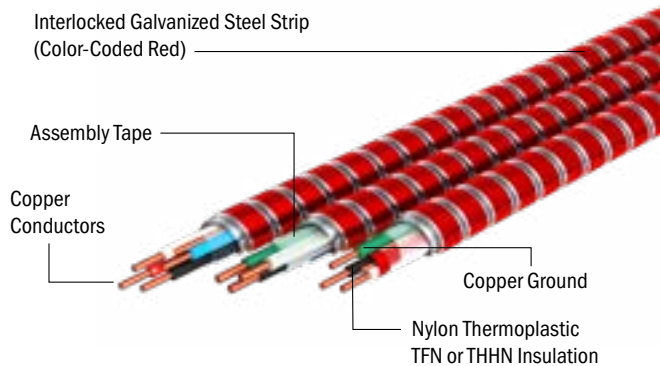
Mylar is a Registered trademark of DuPont.

Armored Fire Alarm/Control Cable

MC Glide Fire Alarm/Control Cable™ - Dual Rated Type MC/FPLP Plenum Rated Technical Specifications

Click brand for more
product info ↓

[AFC Cable Systems](#)
[Kaf-Tech](#)



Armor

- Interlocked Galvanized Steel Strip (Red)

Conductors

- Solid Copper

Conductor Insulation

- TFN 16 AWG and/or THHN 14 & 12 AWG

Assembly

- Polyester Assembly Tape; Twisted Shielded: Laminated Aluminum/Mylar® Shield with Tinned Copper Drain Wire

Maximum Temperature Rating

- FPLP: 105°C (Dry)
- MC: 90°C (Dry)

Grounding

- One or More Grounding Conductors May Be Bare or Insulated Green, See Chart Below

Neutral Conductor

- White (Where Applicable)

Maximum Voltage Rating

- 300V (FPLP)
- 600V (MC)

References & Ratings

- UL 66, 83, 1424, 1479, 1569, 1581, 2556, File Reference E80042 & E83514
- NEC® 300.22(C), 330, 392, 430.2, 501, 502, 503, 504, 505, 518, 530, 645, 725, 760.154(A)
- NEC® 300.22 (C) Other Spaces Used For Environmental Air (Plenums)
- NFPA 262 (formerly UL 910) Plenum Rated - Type FPLP
- UL classified 1, 2, and 3, hour through (Fire) penetration product R14141
- Cable tray rated, install per NEC®
- Federal Specification A-A-59544 (formerly J-C-30B)
- Meets all applicable OSHA and HUD requirements
- May be surface mounted, fished and /or embedded in plaster
- Made in USA of US and /or imported materials
- US Patent 11,101,056 & D935,731

Armored Fire Alarm/Control Cable

MC Glide Fire Alarm/Control Cable™ - Dual Rated Type MC/FPLP Plenum Rated Technical Specifications

[Click brand for more product info](#) ↓

[AFC Cable Systems](#)
[Kaf-Tech](#)

Part Number		Trade Size	Grounding Conductor AWG	Approx. Weight/ 1,000 ft	Approx. Armor O.D.
250' Coil	1000' Reel			(lb)	(in)
Solid TFN					
—	SF10R60-00	16-2 (Black, White)	16-1 (Bare)	122	0.435
—	SF13R60-00	16-4 (Black, White, Red, Blue)	16-1 (Bare)	143	0.435
Solid THHN					
SF34R42-00	SF34R60-00	14-2 (Black, White)	14-1 (Green)	143	0.435
SF37R42-00	SF37R60-00	14-4 (Black, White, Red, Blue)	14-1 (Green)	185	0.490

*Special Order, subject to lead times and minimum order quantities
¹ All drain wires are 18AWG tinned Copper in TSP construction

MC Glide Fire Alarm/Control Cable™ - Dual Rated Type MC/FPLP with Phase ID Plenum Rated Technical Specifications

[Click brand for more product info](#) ↓

[AFC Cable Systems](#)
[Kaf-Tech](#)

Part Number		Trade Size	Grounding Conductor AWG	Approx. Weight/ 1,000 ft	Approx. Armor O.D.
250' Coil	1000' Reel			(lb)	(in)
SF34R42K06	—	14-2 (Black, Red)	14-1 (Green)	143	0.435

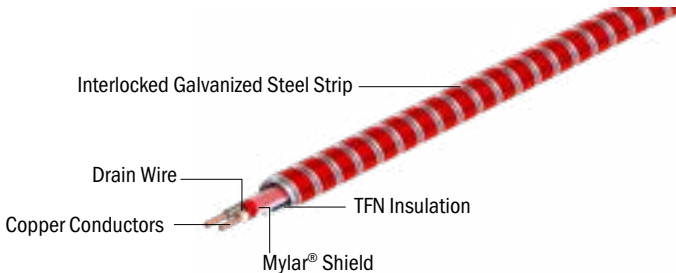
*Special Order, subject to lead times and minimum order quantities
¹ All drain wires are 18AWG tinned Copper in TSP construction

Armored Fire Alarm/Control Cable

[Click brand for more product info](#) ↓

[AFC Cable Systems](#)
[Kaf-Tech](#)

MC Glide Fire Alarm/Control Cable™ - Type FPLP Plenum Rated Technical Specifications



Maximum Voltage Rating

- 300V

References & Ratings

- UL 66, 1424, 1479, 1569, 1581, 2556, File Reference E83514
- NEC® 300.22(C), 392, 501, 502, 503, 504, 505, 518, 530, 645, 725, 760.154(A)
- NEC® 300.22 (C) Other Spaces Used For Environmental Air (Plenums)
- NFPA 262 (formerly UL 910) Plenum Rated - Type FPLP
- UL classified 1, 2, and 3, hour through (Fire) penetration product R14141
- Cable tray rated, install per NEC®
- Federal Specification A-A-59544 (formerly J-C-30B)
- Meets all applicable OSHA and HUD requirements
- May be surface mounted, fished and /or embedded in plaster
- Made in USA of US and /or imported materials
- US Patent 11,101,056 & D935,731

Armor

- Interlocked Galvanized Steel Strip (Red)

Conductors

- Solid Copper

Conductor Insulation

- TFN 16 AWG

Assembly

- Polyester Assembly Tape; Twisted Shielded: Laminated Aluminum/Mylar® Shield with Tinned Copper Drain Wire

Maximum Temperature Rating

- FPLP: 105°C (Dry)

Neutral Conductor

- White (Where Applicable)

Part Number		Trade Size	Grounding Conductor AWG	Approx. Weight/ 1000ft	"Approx. Armor O.D
250' Coil	1000' Reel			(lb)	(in)
SOLID TFN					
—	SF60R60-00	16-2 (TSP) (Black, White) ¹	N/A	122	0.435

¹ All drain wires are 18AWG tinned Copper in TSP construction



TYPE MC CABLES - ALUMINUM METAL CLAD CABLE

AFC Cable Systems
Kaf-Tech

Table of Contents

↓ [Click below to view product section](#)

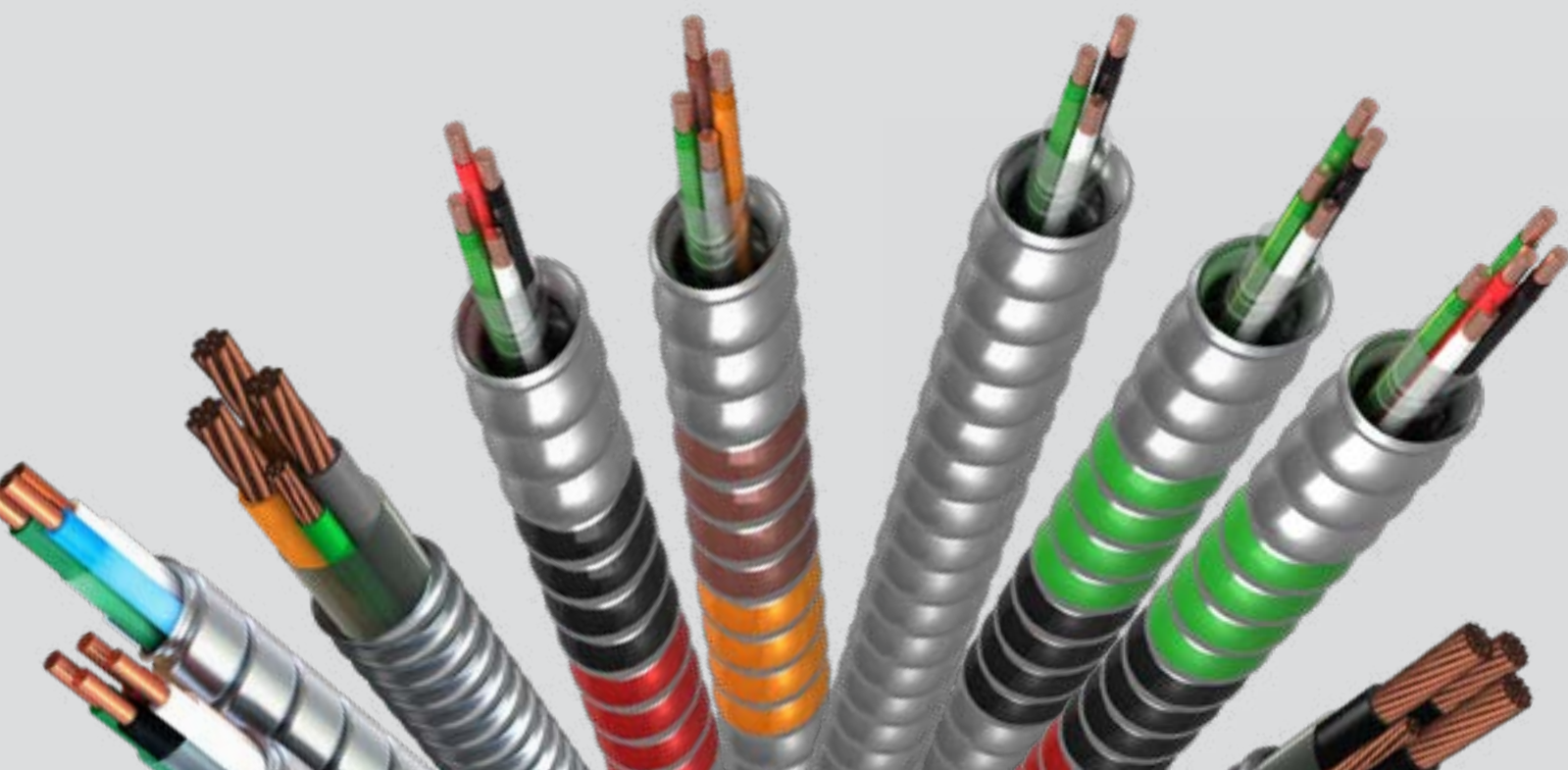
[MC Glide Lite™](#)

[MC Lite® Aluminum Armored Cable \(14 & 12 AWG\)](#)

[MC Lite® Metal Clad Aluminum Armored Cable \(10 AWG\)](#)

[MC Lite® 8-2 AWG through 1-4 AWG Aluminum Armored Cable](#)

[MC Lite® IG Aluminum Armored Cable](#)



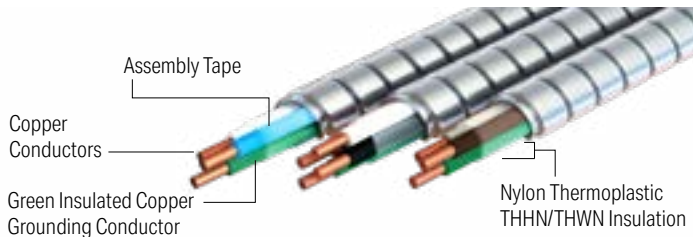
Type MC Cables - Aluminum Metal Clad Cable

Click brand for more product info ↓

[AFC Cable Systems](#)
[Kaf-Tech](#)

MC Glide Lite™

Type MC (120/208V Colors & 277/480V Colors) Technical Specifications



Armor

- Interlocked Aluminum Strip

Conductors

- Solid or Stranded Copper

Conductor Insulation

- THHN/THWN

Assembly Covering

- Polypropylene Tape

Maximum Temperature Rating

- 90°C (Dry)

Grounding

- Insulated Green Grounding Conductor

Neutral Conductor

- White 120/ 208V
- Gray 277/ 480V

Maximum Voltage Rating

- 600V

Features:

- Easier pulls. U.S. Patented armor profile is designed to reduce fatigue on your workers when pulling cable through metal studs and ceilings
- No need for new tools. Works with the same tools, fittings and supports as traditional MC Cables
- Time savings. From the first pull, installing MC Glide Lite™ will be smoother, faster and easier to work with
- Minimize damage to studs. Less resistance means less opportunity for cable hang ups, that may knock down studs

References & Ratings

- UL 83,1479,1569,1581, 2556, File Reference E80042
- NEC® 210.4(B), 230.43, 300.22(C), 330, 392, 396.10(A), 501, 502, 503, 504, 505, 520, 530, 645
- NEC® 300.22 (C) Other Spaces Used For Environmental Air (Plenums)
- UL classified 1, 2, and 3, hour through (Fire) penetration product R14141
- Cable tray rated, install per NEC®
- Federal Specification A-A-59544 (formerly J-C-30B)
- Meets all applicable OSHA and HUD requirements
- May be surface mounted, fished and /or embedded in plaster
- Made in USA of US and /or imported materials
- Aluminum armored cables are RoHS compliant
- U.S. Patent No. 11,101,056 & D935,731

Type MC Cables - Aluminum Metal Clad Cable

Click brand for more product info ↓

MC Glide Lite™

[AFC Cable Systems](#)
[Kaf-Tech](#)

Type MC (120/208V Colors & 277/480V Colors) Technical Specifications

Part Number		Trade Size	Grounding Conductor AWG	Approx. Weight/ 1000 ft (ft)	Approx. Armor O.D. (in)
250' Coil	1000' Reel				
Solid Conductor					
A004-42-00	A004-60-00	12-2 (Black, White)	12-1 (Green)	104	0.460
A004-42-01	A004-60-01	12-2 (Brown, Gray)	12-1 (Green)	104	0.460
A004-42-02	A004-60-02	12-2 (Orange, Gray)	12-1 (Green)	104	0.460
A004-42-03	A004-60-03	12-2 (Yellow, Gray)	12-1 (Green)	104	0.460
A004-42-04	A004-60-04	12-2 (Red, White)	12-1 (Green)	104	0.460
A004-42-05	A004-60-05	12-2 (Blue, White)	12-1 (Green)	104	0.460
A004-42-07	—	12-2 (Purple, Gray)	12-1 (Green)	104	0.460
A005-42-00	A005-60-00	12-3 (Black, Red, White)	12-1 (Green)	130	0.485
A005-42-01	A005-60-01	12-3 (Brown, Orange, Gray)	12-1 (Green)	130	0.485
A005-42-02	—	12-3 (Orange, Yellow, Gray)	12-1 (Green)	130	0.485
A005-42-03	—	12-3 (Brown, Yellow, Gray)	12-1 (Green)	130	0.485
A005-42-04	—	12-3 (Red, Blue, White)	12-1 (Green)	130	0.485
A005-42-05	—	12-3 (Black, Blue, White)	12-1 (Green)	130	0.485
Stranded Conductor					
A058-42-00	A058-60-00	12-2 (Black, White)	12-1 (Green)	107	0.461
A059-42-00	—	12-3 (Black, Red, White)	12-1 (Green)	135	0.486

Note: All dimensions and weights are subject to normal manufacturing tolerances. Other conductor colors available by special order.

* Non-stock items require lead time and minimum quantity order.

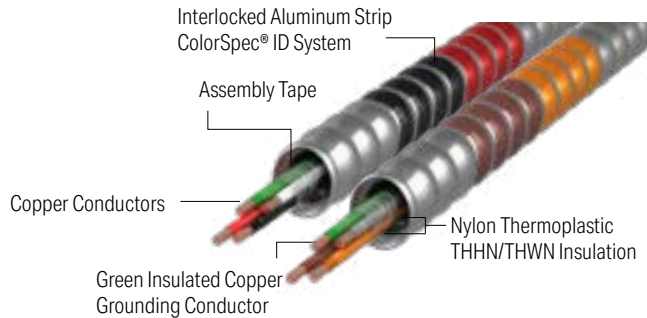
** Available only in 500' Reel

Type MC Cables - Aluminum Metal Clad Cable

Click brand for more product info ↓

[AFC Cable Systems](#)
[Kaf-Tech](#)

MC Lite® Aluminum Armored Cable Type MC (120/208V Colors & 277/480V Colors) Technical Specifications



Armor

- Interlocked Aluminum Strip with ColorSpec® ID & Color Trak ID

Conductors

- Solid or Stranded Copper

Conductor Insulation

- THHN/THWN

Assembly Covering

- Polypropylene Tape

Maximum Temperature Rating

- 90°C (Dry)

Grounding

- Insulated Green Grounding Conductor

Neutral Conductor

- White 120/ 208V
- Gray 277/ 480V

Maximum Voltage Rating

- 600V

References & Ratings

- UL 83,1479,1569,1581, 2556, File Reference E80042
- NEC® 210.4(B), 230.43, 300.22(C), 330, 392, 396.10(A), 501, 502, 503, 504, 505, 520, 530, 645
- NEC® 300.22 (C) Other Spaces Used For Environmental Air (Plenums)
- UL classified 1, 2, and 3, hour through (Fire) penetration product R14141
- Cable tray rated, install per NEC®
- Federal Specification A-A-59544 (formerly J-C-30B)
- Meets all applicable OSHA and HUD requirements
- May be surface mounted, fished and /or embedded in plaster
- Made in USA of US and /or imported materials
- Aluminum armored cables are RoHS compliant



Part Number		Trade Size	Grounding Conductor AWG	Approx. Weight/ 1,000ft	Approx. Armor O.D.
250' Coil	1000' Reel			(lb)	(in)
Solid 120/208V Colors					
2101S42-00	2101S60-00	14-2 Solid (Black, White)	14 Solid (Green)	78	0.474
2102S42-00	2102S60-00	14-3 Solid (Black, Red, White)	14 Solid (Green)	97	0.501
2106S42-00	2106S60-00	12-4 Solid (Black, Red, Blue, White)	12 Solid (Green)	162	0.586
Stranded Conductor					
2160S42-00	—	12-4 Stranded (Black, Red, Blue, White)	12 Stranded (Green)	170	0.613
Solid 277/408V					
2106S42-01	2106S60-01	12-4 Solid (Brown, Orange, Yellow, Gray)	12 Solid (Green)	162	0.586

NOTE: All dimensions and weights are subject to normal manufacturing tolerances. Other conductor colors available by special order.

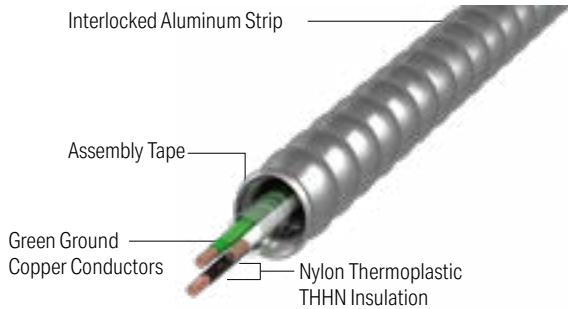
*Special Order, subject to lead times and minimum order quantities

Type MC Cables - Aluminum Metal Clad Cable

Click brand for more product info ↓

[AFC Cable Systems](#)
[Kaf-Tech](#)

MC Lite® Metal Clad Aluminum Armored Cable 10 AWG Type MC (120/208V Colors & 277/480V Colors) Technical Specifications



Neutral Conductor

- White 120/ 208V
- Gray 277/ 480V

Maximum Voltage Rating

- 600V

References & Ratings

- UL 83,1479,1569,1581, 2556, File Reference E80042
- NEC® 210.4(B), 230.43, 300.22(C), 330, 392, 396.10(A), 501, 502, 503, 504, 505, 520, 530, 645
- NEC® 300.22 (C) Other Spaces Used For Environmental Air (Plenums)
- UL classified 1, 2, and 3, hour through (Fire) penetration product R14141
- Cable tray rated, install per NEC®
- Federal Specification A-A-59544 (formerly J-C-30B)
- Meets all applicable OSHA and HUD requirements
- May be surface mounted, fished and /or embedded in plaster
- Made in USA of US and /or imported materials
- Aluminum armored cables are RoHS compliant

Armor

- Interlocked Aluminum Strip

Conductors

- Solid or Stranded Copper

Conductor Insulation

- THHN/THWN

Assembly Covering

- Polypropylene Tape

Maximum Temperature Rating

- 90°C (Dry)

Grounding

- Insulated Green Grounding Conductor



Part Number		Trade Size	Grounding Conductor AWG	Approx. Weight/ 1,000ft (lb)	Approx. Armor O.D. (in)
250' Coil	1000' Reel				
120/208V Solid					
2107-42-00	2107-60-00	10-2 Solid (Black, White)	10 Solid (Green)	155	0.581
—	2107-60-04	10-2 Solid (Red, White)	10 Solid (Green)	155	0.581
—	2107-60-05	10-2 Solid (Blue,White)	10 Solid (Green)	155	0.581
2108-42-00	2108-60-00	10-3 Solid (Black, Red, White)	10 Solid (Green)	198	0.622
2109-42-00	2109-60-00	10-4 Solid (Black, Red, Blue, White)	10 Solid (Green)	241	0.667

Table continued on next page

Type MC Cables - Aluminum Metal Clad Cable

Click brand for more product info ↓

MC Lite® Metal Clad Aluminum Armored Cable 10 AWG Type MC (120/208V Colors & 277/480V Colors) Technical Specifications

[AFC Cable Systems](#)
[Kaf-Tech](#)

Part Number		Trade Size	Grounding Conductor AWG	Approx. Weight/ 1,000ft	Approx. Armor O.D.
250' Coil	1000' Reel			(lb)	(in)
277/480V Solid					
2107-42-01	2107-60-01	10-2 Solid (Brown, Gray)	10 Solid (Green)	155	0.581
—	2107-60-02	10-2 Solid (Orange, Gray)	10 Solid (Green)	155	0.581
—	2107-60-03	10-2 Solid (Yellow, Gray)	10 Solid (Green)	155	0.581
2108-42-01	2108-60-01	10-3 Solid (Brown, Orange, Gray)	10 Solid (Green)	198	0.622
2109-42-01	2109-60-01	10-4 Solid (Brown, Orange, Yellow, Gray)	10 Solid (Green)	241	0.667

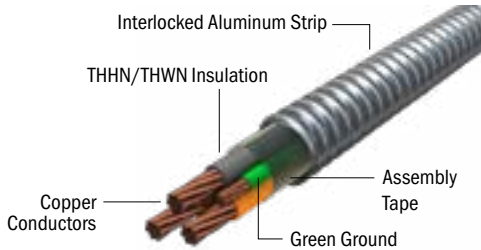
*Special Order, subject to lead times and minimum order quantities

Type MC Cables - Aluminum Metal Clad Cable

Click brand for more product info ↓

[AFC Cable Systems](#)
[Kaf-Tech](#)

MC Lite® 8-2 AWG through 1-4 AWG Aluminum Armored Cable Technical Specification



Armor

- Interlocked Aluminum Strip

Conductors

- Stranded Copper

Conductor Insulation

- THHN/THWN

Assembly Covering

- Polypropylene Tape

Maximum Temperature Rating

- 90°C (Dry)

Grounding

- One Insulated Green Copper Grounding Conductor (Grounds May Be Solid in Certain Sizes)

Neutral Conductor

- White 120/ 208V
- Gray 277/ 480V

Maximum Voltage Rating

- 600V

References & Ratings

- UL 83,1479,1569,1581, 2556, File Reference E80042
- NEC® 210.4(B), 230.43, 300.22(C), 330, 392, 396.10(A), 501, 502, 503, 504, 505, 520, 530, 645
- NEC® 300.22 (C) Other Spaces Used For Environmental Air (Plenums)
- UL classified 1, 2, and 3, hour through (Fire) penetration product R14141
- Cable tray rated, install per NEC®
- Federal Specification A-A-59544 (formerly J-C-30B)
- Meets all applicable OSHA and HUD requirements
- May be surface mounted, fished and /or embedded in plaster
- Made in USA of US and /or imported materials
- Aluminum armored cables are RoHS compliant

Part Number		Trade Size	Ground Conductor AWG	Length C = Coil, R = Reel		Approx. Weight/ 1,000ft	Approx. Armor O.D.
				(ft)		(lb)	(in)
2115-40-00	2115-45-00	8-2 Stranded (Black, White)	10 Solid (Green)	200 C	500 R	217	0.677
2115-60-00	2115-65-00	8-2 Stranded (Black, White)	10 Solid (Green)	1,000 R	2,500 R	217	0.677
2116-40-00	2116-45-00	8-3 Stranded (Black, Red, White)	10 Solid (Green)	200 C	500 R	296	0.813
2116-60-00	2116-65-00	8-3 Stranded (Black, Red, White)	10 Solid (Green)	1,000 R	2,500 R	296	0.813
—	2116-45-01	8-3 Stranded (Brown, Orange, Gray)	10 Solid (Green)	—	500 R	296	0.813
2116-60-01	—	8-3 Stranded (Brown, Orange, Gray)	10 Solid (Green)	1,000 R	—	296	0.813
—	2117-45-00	8-4 Stranded (Black, Red, Blue, White)	10 Solid (Green)	—	500 R	363	0.848
—	2117-45-01	8-4 Stranded (Brown, Orange, Yellow, Gray)	10 Solid (Green)	—	500 R	363	0.848

Table continued on next page

Type MC Cables - Aluminum Metal Clad Cable

MC Lite® 8-2 AWG through 1-4 AWG Aluminum Armored Cable Technical Specification

Click brand for more
product info ↓

[AFC Cable Systems](#)
[Kaf-Tech](#)

Part Number		Trade Size	Ground Conductor AWG	Length C = Coil, R = Reel		Approx. Weight/ 1,000ft	Approx. Armor O.D.
				(ft)		(lb)	(in)
2117-60-00	—	8-4 Stranded (Black, Red, Blue, White)	10 Solid (Green)	1,000 R	—	363	0.848
2119-32-00	2119-45-00	6-2 Stranded (Black, White)	8 Stranded (Green)	125 C	500 R	320	0.816
2119-60-00*	2119-65-00	6-2 Stranded (Black, White)	8 Stranded (Green)	1,000 R	2,500 R	320	0.816
2120-32-00	2120-45-00	6-3 Stranded (Black, Red, White)	8 Stranded (Green)	125 C	500 R	429	0.945
2120-60-00	2120-65-00	6-3 Stranded (Black, Red, White)	8 Stranded (Green)	1,000 R	2,500 R	429	0.945
2121-30-00	—	6-4 Stranded (Black, Red, Blue, White)	8 Stranded (Green)	100 C	500 R	532	1.026
2121-60-00	—	6-4 Stranded (Black, Red, Blue, White)	8 Stranded (Green)	1,000 R	—	532	1.026
—	2124-45-00	4-3 Stranded (Black, Red, White)	8 Stranded (Green)	100 C	500 R	617	1.057
2124-60-00	—	4-3 Stranded (Black, Red, White)	8 Stranded (Green)	1,000 R	—	617	1.057
—	2128-45-00	3-3 Stranded (Black, Red, White)	6 Stranded (Green)	—	500 R	788	1.108

Note: Overall PVC jacket is available by special order on all items.

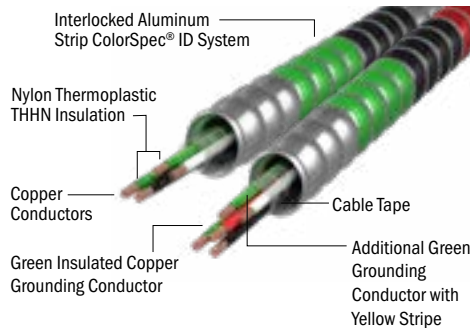
*Special Order, subject to lead times and minimum order quantities

Type MC Cables - Aluminum Metal Clad Cable

Click brand for more | product info ↓

[AFC Cable Systems](#)
[Kaf-Tech](#)

MC Lite® IG Aluminum Armored Cable Type MC Technical Specifications



Armor

- Interlocked Aluminum Strip with ColorSpec® ID & Color Trak ID

Conductors

- Solid or Stranded Copper

Conductor Insulation

- THHN/THWN

Assembly Covering

- Polypropylene Tape

Maximum Temperature Rating

- 90°C (Dry)

Grounding

- 2 Solid or Stranded Grounding Conductors, Green, Green with Yellow stripe

Neutral Conductor

- White 120/ 208V

Maximum Voltage Rating

- 600V

References & Ratings

- UL 83,1479,1569,1581, 2556, File Reference E80042
- NEC® 210.4(B), 230.43, 300.22(C), 330, 392, 396.10(A), 501, 502, 503, 504, 505, 520, 530, 645
- NEC® 300.22 (C) Other Spaces Used For Environmental Air (Plenums)
- UL classified 1, 2, and 3, hour through (Fire) penetration product R14141
- Cable tray rated, install per NEC®
- Federal Specification A-A-59544 (formerly J-C-30B)
- Meets all applicable OSHA and HUD requirements
- May be surface mounted, fished and /or embedded in plaster
- Made in USA of US and /or imported materials
- Aluminum armored cables are RoHS compliant

Part Number		Trade Size	Grounding Conductor AWG	Approx. Weight/	Approx. Armor
250' Coil	1000' Reel			1,000ft	O.D.
				(lb)	(in)
120/208V Solid Conductors					
2105S42-80	—	12-2 Solid (Black, White)	12 Solid (Green, Green/Yellow)	135	0.549

NOTE: All dimensions and weights are subject to normal manufacturing tolerances 10AWG No ColorSpec® ID.

*Special Order, subject to lead times and minimum order quantities



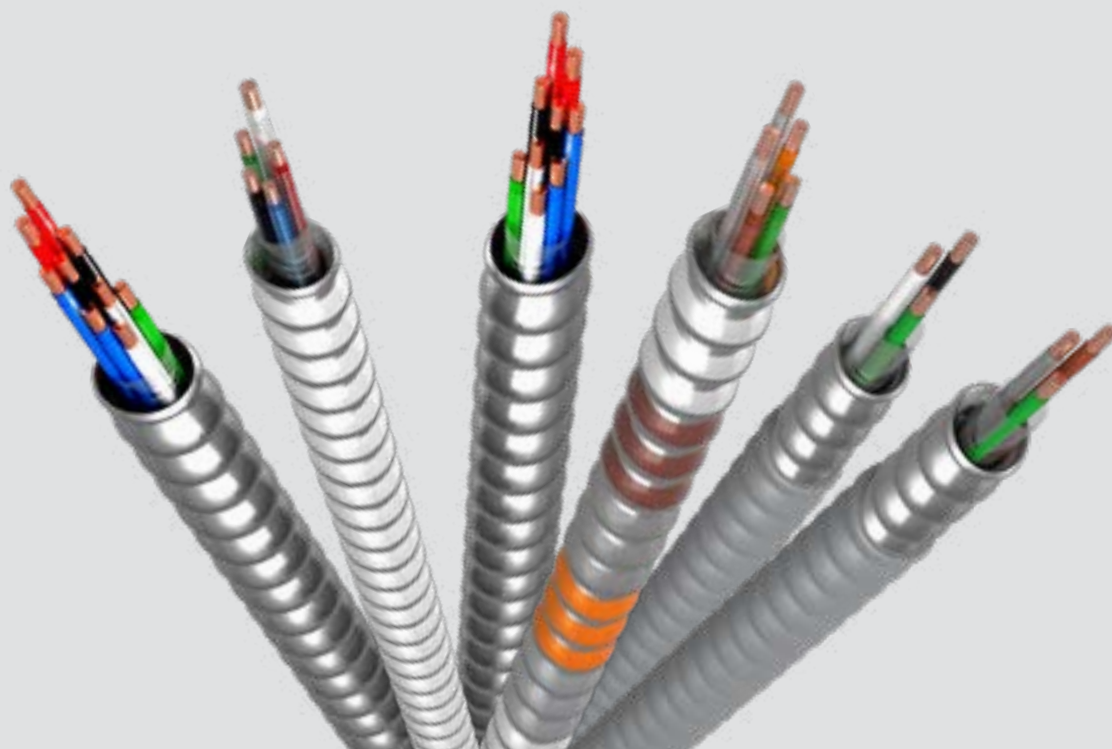
TYPE MC CABLES - SPECIALTY CABLES

AFC Cable Systems
Kaf-Tech

Table of Contents

↓ [Click below to view product section](#)

[MC-Plus® Neutral Per Phase Cable](#)
[MC-Plus Lite Neutral Per Phase Cable](#)
[Parking Deck/Lot Cable™](#)
[Super Neutral Cable®](#)



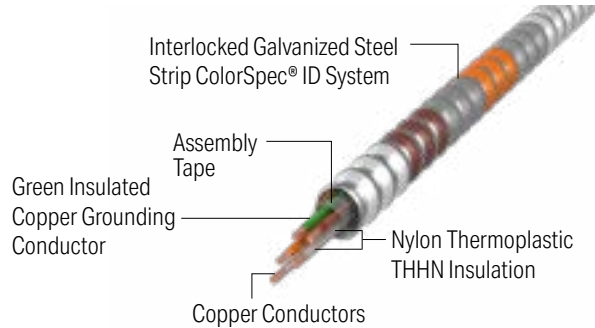
Type MC Cables - Specialty Cable

[Click brand for more product info](#) ↓

MC-Plus® Neutral Per Phase Cable

Type MC Steel (120/208V & 277/480V) Technical Specifications

[AFC Cable Systems](#)
[Kaf-Tech](#)



References & Ratings

- UL 83, 1479, 1569, 1581, 2556, File Reference E80042
- NEC® 210.4(B), 230.43, 300.22(C), 330, 392, 396.10(A), 501, 502, 503, 504, 505, 520, 530, 645
- NEC® 300.22 (C) Other Spaces Used For Environmental Air (Plenums)
- UL classified 1, 2, and 3, hour through (Fire) penetration product R14141
- Cable tray rated, install per NEC®
- Federal Specification A-A-59544 (formerly J-C-30B)
- Meets all applicable OSHA and HUD requirements
- May be surface mounted, fished and /or embedded in plaster
- Made in USA of US and /or imported materials

Armor

- Interlocked Galvanized Steel Strip Color-Coded White Armor with ColorSpec® ID & Color Trak ID

Conductors

- Solid or Stranded Copper

Conductor Insulation

- THHN/THWN

Assembly Covering

- Polypropylene Tape

Maximum Temperature Rating

- 90°C (Dry)

Grounding

- Insulated Green Copper Grounding Conductor

Neutral Conductor - Identified to Corresponding Phase Conductor

- White 120/ 208V
- Gray 277/ 480V

Maximum Voltage Rating

- 600V

Type MC Cables - Specialty Cable

Click brand for more product info ↓

MC-Plus® Neutral Per Phase Cable Type MC Steel (120/208V & 277/480V) Technical Specifications

[AFC Cable Systems](#)
[Kaf-Tech](#)

Part Number		Phase Conductor AWG	Neutral Conductor AWG	Grounding Conductor AWG	Approx. Weight/	Approx. Armor
250' Coil	1000' Reel				1,000ft	O.D.
						(lb)
						(in)
Steel Solid						
3904-42-00	3904-60-00	12-2 (Black, Red)	12-2 (2) White	12-1 (Green)	233	0.586
—	3904-60-01	12-2 (Brown, Orange)	12-2 (2) Gray	12-1 (Green)	233	0.586
3905-42-00	3905-60-00	12-3 (Black, Red, Blue)	12-3 (3) White	12-1 (Green)	292	0.623
—	3905-60-01	12-3 (Brown, Orange, Yellow)	12-3 (3) Gray	12-1 (Green)	292	0.623
—	3906-60-00	12-4 (Black, Black, Red, Red)	12-4 (4) White	12-1 (Green)	363	0.701
—	3907-60-00	10-2 (Black, Red)	10-2 (2) White	10-1 (Green)	326	0.667
3908-42-00	3908-60-00	10-3 (Black, Red, Blue)	10-3 (3) White	10-1 (Green)	415	0.713
—	3908-60-01	10-3 (Brown, Orange, Yellow)	10-3 (3) Gray	10-1 (Green)	415	0.713
—	3909-60-00	10-4 (Black, Black, Red, Red)	10-4 (4) White	10-1 (Green)	565	0.856

NOTE: All dimensions and weights are subject to normal manufacturing tolerances.

* Special order, subject to lead times and minimums

** "44" Put-up code is for 250' Reels only.

Two Wire	Phase Colors	Neutrals
-00	Black, Red	White w/Red Stripe, White w/Black Stripe
-01	Brown, Orange	Gray w/Brown Stripe, Gray w/Orange Stripe
-02	Orange, Yellow	Gray w/Orange Stripe, Gray w/Yellow Stripe
-03	Brown, Yellow	Gray w/Brown Stripe, Gray w/Yellow Stripe
-04	Red, Blue	White w/Red Stripe, White w/Blue Stripe
-05	Black, Blue	White w/Black Stripe, White w/Blue Stripe
Three Wire	Phase Colors	Neutrals
00	Black, Red, Blue	White w/Black Stripe, White w/Red Stripe, White w/Blue Stripe
-01	Brown, Orange, Yellow	Gray w/Brown Stripe, White w/Orange Stripe, White w/Yellow Stripe
Four Wire	Phase Colors	Neutrals
-00	2 Blacks, 2 Red	White w/Black Stripe and Printed 1, White w/Black Stripe and Printed 2, White w/Red Stripe and Printed 1, White w/Red Stripe and Printed 2
Six Wire	Phase Colors	Neutrals
-00	2 Blacks, 2 Blues, 2 Reds	White w/Black Stripe and Printed 1, White w/Black Stripe and Printed 2, White w/Blue Stripe and Printed 1, White w/Blue Stripe and Printed 2, White w/Red Stripe and Printed 1, White w/Red Stripe and Printed 2

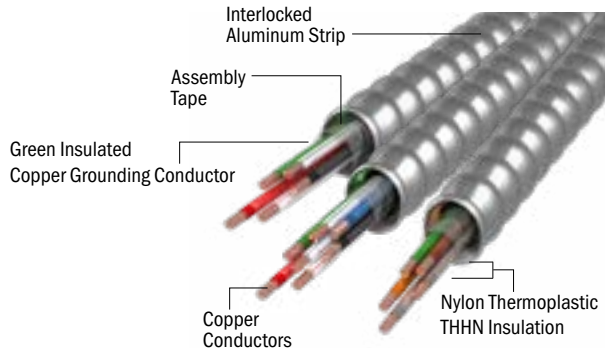
Type MC Cables - Specialty Cable

[Click brand for more product info](#) ↓

MC-Plus Lite Neutral Per Phase Cable

Type MC Aluminum (120/208V & 277/480V) Technical Specifications

[AFC Cable Systems](#)
[Kaf-Tech](#)



Armor

- Interlocked Aluminum Strip

Conductors

- Solid or Stranded Copper

Conductor Insulation

- THHN/THWN

Assembly Covering

- Polypropylene Tape

Maximum Temperature Rating

- 90°C (Dry)

Grounding

- Insulated Green Copper Grounding Conductor

Neutral Conductor - Identified to Corresponding Phase Conductor

- White 120/ 208V
- Gray 277/ 480V

Maximum Voltage Rating

- 600V

References & Ratings

- UL 83, 1479, 1569, 1581, 2556, File Reference E80042
- NEC® 210.4(B), 230.43, 300.22(C), 330, 392, 396.10(A), 501, 502, 503, 504, 505, 520, 530, 645
- NEC® 300.22 (C) Other Spaces Used For Environmental Air (Plenums)
- UL classified 1, 2, and 3, hour through (Fire) penetration product R14141
- Cable tray rated, install per NEC®
- Federal Specification A-A-59544 (formerly J-C-30B)
- Meets all applicable OSHA and HUD requirements
- May be surface mounted, fished and /or embedded in plaster
- Made in USA of US and /or imported materials

Type MC Cables - Specialty Cable

Click brand for more product info ↓

MC-Plus Lite Neutral Per Phase Cable

Type MC Aluminum (120/208V & 277/480V) Technical Specifications

[AFC Cable Systems](#)
[Kaf-Tech](#)

Part Number		Phase Conductor AWG	Neutral Conductor AWG	Grounding Conductor AWG	Approx. Weight/ 1,000ft	Approx. Armor O.D.
250' Coil	1000' Reel					
MC Plus Lite Solid Conductor						
3604-42-700	3604-60-700	12-2 (Black, Red)	12-2 (2) White	12-1 (Green)	162	0.586
3605-42-700	3605-60-700	12-3 (Black, Red, Blue)	12-3 (3) White	12-1 (Green)	214	0.623
—	3605-60-701	12-3 (Brown, Orange, Yellow)	12-3 (3) Gray	12-1 (Green)	214	0.623
—	3606-60-714	12-4 (Black, Red, Blue, Pink)	12-4 (4) White	12-1 (Green)	273	0.701
—	3607-60-700	10-2 (Black, Red)	10-2 (2) White	10-1 (Green)	241	0.667
—	3608-60-700	10-3 (Black, Red, Blue)	10-3 (3) White	10-1 (Green)	323	0.713
—	3608-60-701	10-3 (Brown, Orange, Yellow)	10-3 (3) Gray	10-1 (Green)	323	0.713
—	3609-60-714	10-4 (Black, Red, Blue, Pink)	10-4 (4) White	10-1 (Green)	427	0.856
MC Plus Lite Stranded Conductor						
—	3658-60-700	12-2 (Black, Red)	12-2 (2) White	12-1 (Green)	169	0.613
—	3662-60-700	10-3 (Black, Red, Blue)	10-3 (3) White	10-1 (Green)	355	0.755

NOTE: All dimensions and weights are subject to normal manufacturing tolerances.

*Special Order, subject to lead times and minimum order quantities

**"44" Put-up code is for 250' Reels only.

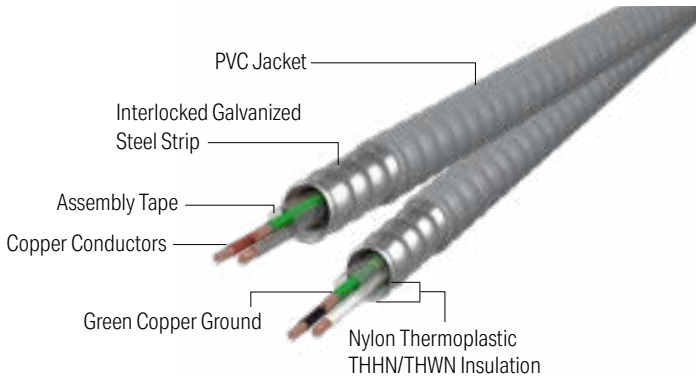
Two Wire	Phase Colors	Neutrals
-700	Black, Red	White w/Black Stripe, White w/Red Stripe
-701	Brown, Orange	Gray w/ Brown Stripe, Gray w/Orange Stripe
-702	Orange, Yellow	Gray w/Orange Stripe, Gray with Yellow Stripe
-703	Brown, Yellow	Gray w/Brown Stripe, Gray w/Yellow Stripe
-704	Red, Blue	White w/Red Stripe, White w/Blue Stripe
-705	Black, Blue	White w/Black Stripe, White w/Blue Stripe
Three Wire	Phase Colors	Neutrals
-700	Black, Red, Blue	White w/Black Stripe, White w/Red Stripe, White w/Blue Stripe
-701	Brown, Orange, Yellow	Gray w/Brown Stripe, Gray with Orange Stripe, Gray w/Yellow Stripe
Four Wire	Phase Colors	Neutrals
-714	Black, Red, Blue, Pink	White w/Black, White w/Red Stripe, White w/Blue Stripe, White w/Pink Stripe
Six Wire	Phase Colors	Neutrals
-700	2 Blacks, 2 Reds, 2 Blues	White w/ Black Stripe and Printed 1, White w/ Red Stripe and Printed 1, White w/ Blue Stripe and Printed 1, White w/ Black Stripe and Printed 2, White w/ Red Stripe and Printed 2, White w/ Blue Stripe and Printed 2

Type MC Cables - Specialty Cable

[Click brand for more product info](#) ↓

[AFC Cable Systems](#)
[Kaf-Tech](#)

Parking Deck/Lot Cable™ Type MC Jacketed Parking Deck/Lot Cable



Armor & Jacket

- Interlocked Galvanized Steel Strip with Gray PVC Jacket

Conductors

- Solid or Stranded Copper

Conductor Insulation

- THHN/THWN

Assembly Covering

- Polypropylene Tape

Maximum Temperature Rating

- 90°C (Dry); 75°C (Wet)

Grounding

- Insulated Green Copper Grounding Conductor

Neutral Conductor

- White 120/ 208V
- Gray 277/ 480V

Maximum Voltage Rating

- 600V

References & Ratings

- UL 66,83,1479,1569,1581, 2556, File Reference E80042
- NEC® 230.43, 300.5, 330, 392, 396.10(A), 501, 502, 503, 504, 505, 511.7, 513.7(A), 514.7, 515.7(A), 516.7(A), 530, 680.21(A)
- Hazardous locations up to Class I & II, Div. 2 and Class III, Div. 1 & 2 (NEC® Articles 501, 502, 503, 530)
- UL Listed for direct burial including concrete encasement and wet locations
- UL Listed for - 40 C low temperature
- UL Listed Sunlight Resistant
- UL Listed Oil Resistant II
- Wet Locations per NEC® 330.10(11)(C)
- Federal Specification A-A-59544 (formerly J-C-30B)
- Cable tray rated, install per NEC®
- Made in USA of US and /or imported materials

Type MC Cables - Specialty Cable

Click brand for more product info ↓

Parking Deck/Lot Cable™ Type MC Jacketed Parking Deck/Lot Cable

[AFC Cable Systems](#)
[Kaf-Tech](#)

Part Number		Trade Size	Grounding Conductor AWG	Length		Approx. Weight/ 1,000 ft (lb)	Approx. Armor O.D. (in)	Approx. Over Jacket O.D. (in)
Coil	Reel			Coil (ft)	Reel (ft)			
120/208V								
2304-42-00	2304-60-00	12-2 Solid (Black, White)	12 Solid (Green)	250	1000	241	0.514	0.614
2305-42-00	2305-60-00	12-3 Solid (Black, Red, White)	12 Solid (Green)	250	1000	278	0.547	0.647
2306-42-00	—	12-4 Solid (Black, Blue, Red, White)	12 Solid (Green)	250	1000	318	0.583	0.683
2307-42-00	2307-60-00	10-2 Solid (Black, White)	10 Solid (Green)	250	1000	310	0.579	0.679
—	2308-60-00	10-3 Solid (Black, Red, White)	10 Solid (Green)	250	1000	365	0.619	0.719
277/480V								
—	2304-60-01	12-2 Solid (Brown, Gray)	12 Solid (Green)	250	1000	241	0.514	0.614

NOTE: All dimensions and weights are subject to normal manufacturing tolerances

AFC-595, AFC-596, AFC-895 fittings may be used with this product.

*Special Order, subject to lead times and minimum order quantities

** "44" Put-up code is for 250' Reels only.

†† - Cut to length

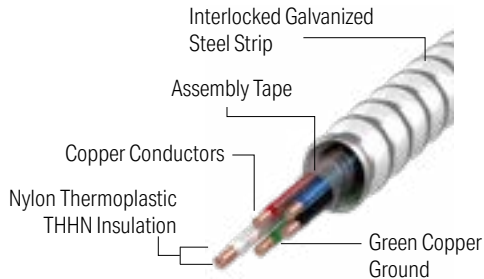
Other Jacket Colors Available by Special Order

Type MC Cables - Specialty Cable

Click brand for more product info ↓

Super Neutral Cable®/Neutral Per Phase or Oversized Neutral Type MC Technical Specifications

[AFC Cable Systems](#)
[Kaf-Tech](#)



Armor

- Interlocked Galvanized Steel Strip* (Painted White)

Conductors

- Solid, Exception: 8 AWG and Larger are Stranded

Conductor Insulation

- THHN/THWN

Assembly Covering

- Polypropylene Tape

Maximum Temperature Rating

- 90°C (Dry)

Grounding

- One or more grounding conductors insulated green, see chart below

Neutral Conductor

- Neutral per Phase or Oversized Neutral Configurations, White/White with Phase Stripe

Maximum Voltage Rating

- 600V

References & Ratings

- UL 83, 1479, 1569, 1581, 2556, File Reference E80042
- NEC® 210.4(B), 230.43, 300.22(C), 330, 392, 396.10(A), 501, 502, 503, 504, 505, 520, 530, 645
- NEC® 300.22 (C) Other Spaces Used For Environmental Air (Plenums)
- UL classified 1, 2, and 3, hour through (Fire) penetration product R14141
- Cable tray rated, install per NEC®
- Federal Specification A-A-59544 (formerly J-C-30B)
- Meets all applicable OSHA and HUD requirements
- May be surface mounted, fished and /or embedded in plaster
- Made in USA of US and /or imported materials

Part Number		Phase Conductor AWG	Neutral Conductor AWG	Grounding Conductor AWG	Approx. Weight/ 1,000 ft (lb)	Approx. Armor O.D. (in)
250' Coil	1000' Reel					
Oversize Neutral Design						
2918-42-00**	2918-60-00	12-4 Solid (Black, Red, Blue, Pink)	10-2 Solid (White, White w/ Black Stripe)	12-2 Solid (Green, Green w/ Yellow Stripe)	398	0.735
Neutral per Phase Design						
2911-42-00	2911-60-00	12-3 Solid (Black, Red, Blue)	12-3 Solid (White w/Black Stripe, White w/Red Stripe, White w/Blue Stripe)	12-2 Solid (Green, Green w/ Yellow Stripe)	344	0.659

NOTE: All dimensions and weights are subject to normal manufacturing tolerances.

* Aluminum available by special order and subject to lead times and minimum order quantities.

**Special Order, subject to lead times and minimum order quantities.

***44" Put-up code is for 250' Reels only.

Conductors must be derated per NEC® Table 310.15(C)(1)



TYPE MC CABLES - STEEL METAL CLAD CABLE

AFC Cable Systems
Kaf-Tech

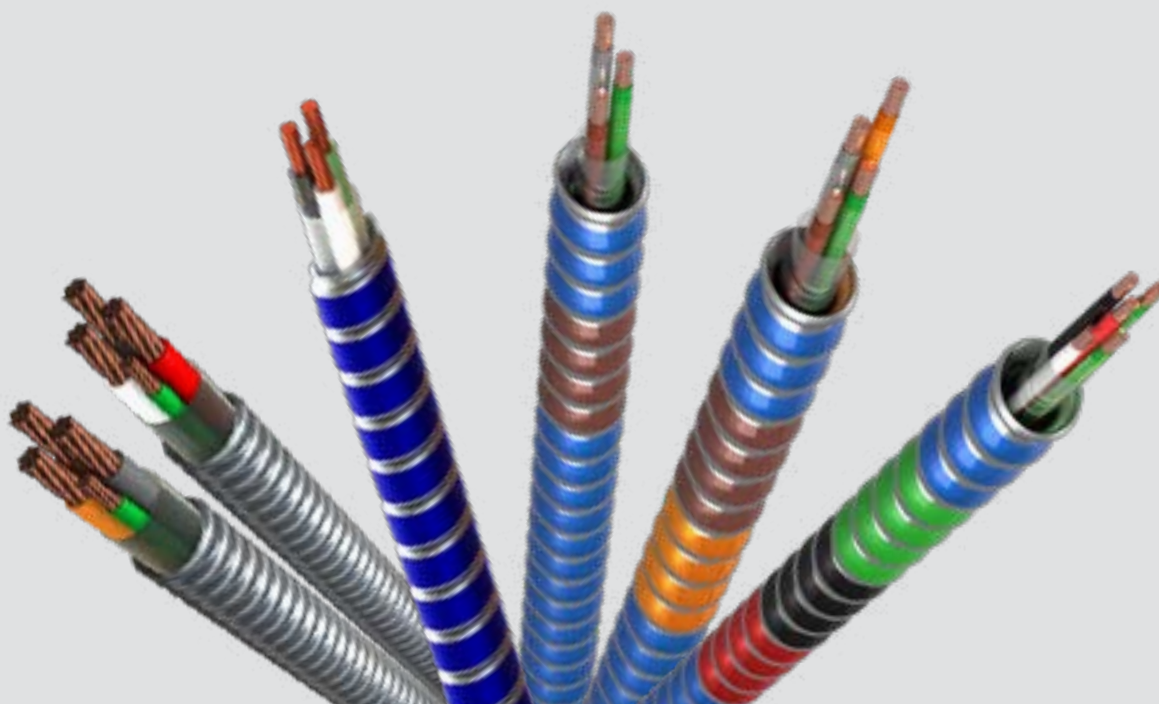
Table of Contents

↓ [Click below to view product section](#)

[MC Glide Tuff™](#)

[MC Tuff® Lightweight Steel Cable - Type MC \(120/208V\)](#)

[MC Tuff® Lightweight Steel Cable - Type MC \(277/480V\)](#)



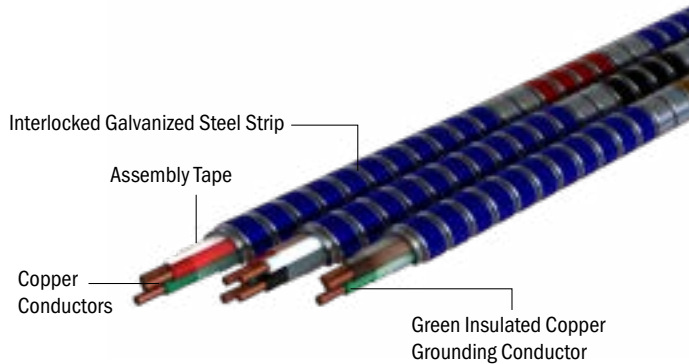
Type MC Cables - Steel Metal Clad Cable

[Click brand for more product info](#) ↓

[AFC Cable Systems](#)
[Kaf-Tech](#)

MC Glide Tuff™ Solid Conductor

Type MC Steel (120/208V & 277/480V) Technical Specifications



Armor

- Interlocked Galvanized Steel Strip (Blue Striped) with ColorSpec® ID & Color-Trak ID

Conductors

- Solid or Stranded Copper

Conductor Insulation

- THHN/THWN

Assembly Covering

- Polypropylene Tape

Maximum Temperature Rating

- 90°C (Dry)

Grounding

- Insulated Green Grounding Conductor

Neutral Conductor

- White 120/ 208V
- Gray 277/ 480V

Maximum Voltage Rating

- 600V

Features:

- ColorSpec® ID. Lightweight blue steel armor with phase and circuit ID
- Easier pulls. U.S. Patent No. 11,101,056 armor profile is designed to reduce fatigue on your workers when pulling cable through metal studs and ceilings
- No need for new tools. Works with the same tools, fittings and supports as traditional MC Cables
- Time savings. From the first pull, installing MC Glide Tuff™ will be smoother, faster and easier to work with
- Minimize damage to studs. Less resistance means less opportunity for cable hang ups, that may knock down studs

References & Ratings

- UL 83,1479,1569,1581, 2556, File Reference E80042
- NEC® 210.4(B), 230.43, 300.22(C), 330, 392, 396.10(A), 501, 502, 503, 504, 505, 520, 530, 645
- NEC® 300.22 (C) Other Spaces Used For Environmental Air (Plenums)
- UL classified 1, 2, and 3, hour through (Fire) penetration product R14141
- Cable tray rated, install per NEC®
- Federal Specification A-A-59544 (formerly J-C-30B)
- Meets all applicable OSHA and HUD requirements
- May be surface mounted, fished and /or embedded in plaster
- Made in USA of US and /or imported materials
- US Patent 11,101,056 & D935,731

Type MC Cables - Steel Metal Clad Cable

Click brand for more product info ↓

MC Glide Tuff™ Solid Conductor

Type MC Steel (120/208V & 277/480V) Technical Specifications

[AFC Cable Systems](#)
[Kaf-Tech](#)

Part Number		Trade Size	Grounding Conductor AWG	Approx. Weight/ 1000ft	Approx. Armor O.D.
250' Coil	1000' Reel			(lb)	(in)
S004B42T00	S004B60T00	12-2 (Black, White)	12-1 (Green)	152	0.455
S004B42T01	—	12-2 (Brown, Gray)	12-1 (Green)	152	0.455
S004B42T03*	—	12-2 (Yellow, Gray)	12-1 (Green)	152	0.455
S004B42T04	S004B60T04	12-2 (Red, White)	12-1 (Green)	152	0.455
S004B42T05	S004B60T05	12-2 (Blue, White)	12-1 (Green)	152	0.455
S005B42T00	—	12-3 (Black, Red, White)	12-1 (Green)	178	0.470

Note: All dimensions and weights are subject to normal manufacturing tolerances. Other conductor colors available by special order.

*Special Order, subject to lead times and minimum order quantities

Also offered in stranded conductors

Type MC Cables - Steel Metal Clad Cable

MC Glide Tuff™

Type MC Steel (120/208V & 277/480V) Technical Specifications

Click brand for more product info ↓

[AFC Cable Systems](#)
[Kaf-Tech](#)

Color Reference Chart

ColorSpec® ID & Color-Trak® ID



Take the Path of Least Resistance



AFC



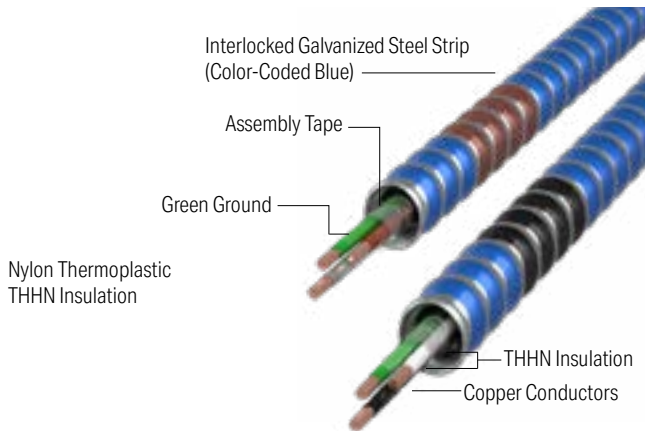
Kaf-Tech

Type MC Cables - Steel Metal Clad Cable

Click brand for more product info ↓

[AFC Cable Systems](#)
[Kaf-Tech](#)

MC Tuff® Lightweight Steel Cable Type MC (120/208V Colors) Technical Specifications



Maximum Voltage Rating

- 600V

References & Ratings

- UL 83, 1479, 1569, 1581, 2556, File Reference E80042
- NEC® 230.43, 250.118(I), 300.22(C), 330, 392, 396, 501, 502, 503, 504, 505, 518, 520, 530, 645
- Federal Specification A-A-59544 (formerly J-C-30B)
- Meets all applicable OSHA and HUD Requirements
- May be surface mounted, fished and/or embedded in plaster
- Cable Tray Rated, install per NEC®
- UL Classified 1, 2, and 3 hour through (Fire) penetration product, R14141
- NEC® 300.22(C) Environmental Air Handling Spaces (Plenum)
- Made in USA of US and/or imported materials

Armor

- Interlocked Galvanized Steel Strip (Blue Striped) with ColorSpec® ID

Conductors

- Solid or Stranded Copper

Conductor Insulation

- THHN/THWN

Assembly Covering

- Polypropylene Tape

Maximum Temperature Rating

- 90°C (Dry)

Grounding

- Insulated Green Grounding Conductor

Neutral Conductor

- White 120/208V

Type MC Cables - Steel Metal Clad Cable

Click brand for more product info ↓

MC Tuff® Lightweight Steel Cable Type MC (120/208V Colors) Technical Specifications

[AFC Cable Systems](#)
[Kaf-Tech](#)



Part Number		Trade Size	Grounding Conductor AWG	Approx. Weight/ 1,000ft (lb)	Approx. Armor O.D. (in)
250' Coil	1000' Reel				
120/208V Solid					
—	1707B60T00	10-2 Solid (Black, White)	10 Solid (Green)	225	0.581
120/208V Solid Specialty Colors					
—	1707B60T04	10-2 Solid (Red, White)	10 Solid (Green)	225	0.581
—	1707B60T05	10-2 Solid (Blue, White)	10 Solid (Green)	225	0.581

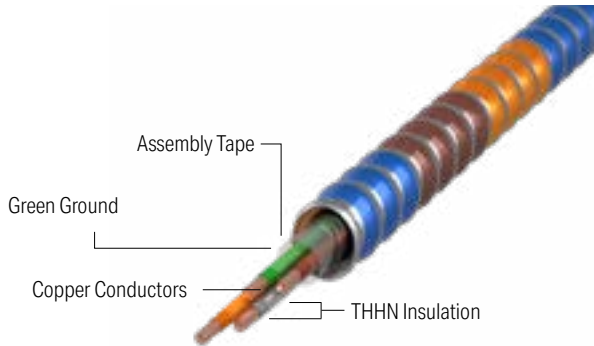
NOTE: All dimensions and weights are subject to normal manufacturing tolerances.
Set screw connectors may be used with steel cables.

Type MC Cables - Steel Metal Clad Cable

Click brand for more product info ↓

MC Tuff® Lightweight Steel Cable Type MC (277/480V Colors) Technical Specifications

[AFC Cable Systems](#)
[Kaf-Tech](#)



Neutral Conductor

- Gray 277/480V

Maximum Voltage Rating

- 600V

References & Ratings

- UL 83, 1479, 1569, 1581, 2556, File Reference E80042
- NEC® 230.43, 250.118(I), 300.22(C), 330, 392, 396, 501, 502, 503, 504, 505, 518, 520, 530, 645
- Cable Tray Rated, install per NEC®
- Federal Specification A-A-59544 (formerly J-C-30B)
- Meets all applicable OSHA and HUD requirements
- May be surfaced mounted and embedded in plaster
- NEC® 300.22(C) Environmental Air Handling Spaces (Plenum)
- UL Classified 1, 2, and 3 hour through (Fire) penetration product, R14141
- Made in USA of US and/or imported materials

Armor

- Interlocked Galvanized Steel Strip (Blue Striped) with ColorSpec® ID

Conductors

- Solid or Stranded Copper

Conductor Insulation

- THHN/THWN

Assembly Covering

- Polypropylene Tape

Maximum Temperature Rating

- 90°C (Dry)

Grounding

- Insulated Green Grounding Conductor



Part Number		Trade Size	Grounding Conductor AWG	Approx. Weight/ 1,000ft (lb)	Approx. Armor O.D. (in)
250' Coil	1000' Reel				
277/480V Solid					
—	1706B60T01	12-4 Solid (Brown, Orange, Yellow, Gray)	12 Solid (Green)	232	0.586

NOTE: All dimensions and weights are subject to normal manufacturing tolerances.



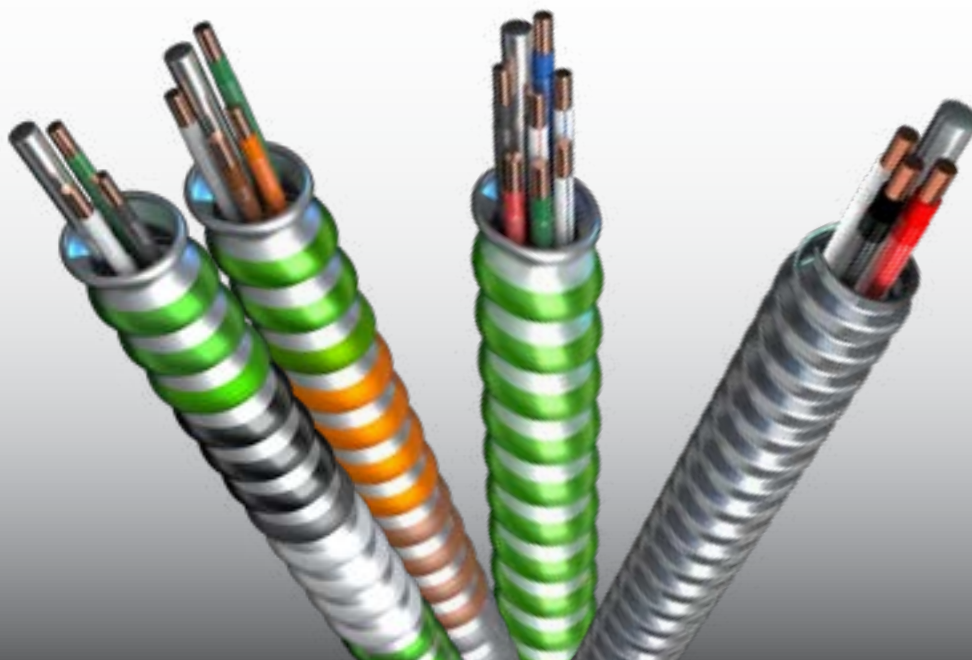
TYPE MCI-A CABLES - ARMOR + BOND = EQUIPMENT GROUNDING PATH

AFC Cable Systems
Kaf-Tech

Table of Contents

↓ [Click below to view product section](#)

[MC-Quik® Lite Aluminum Armored Cable \(Solid\)](#)
[MC-Stat® & MC-Stat® Lite Cable](#)



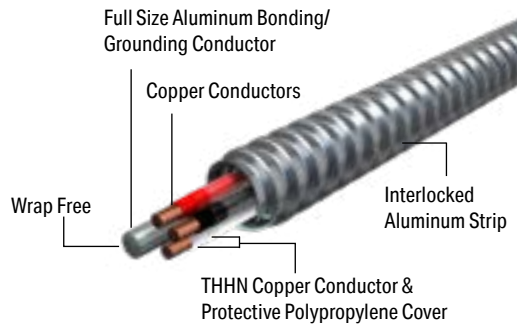
Type MCI-A Cables - Armor + Bond = Equipment Grounding Path

Click brand for more product info ↓

MC-Quik® Lite Aluminum Armored Cable (Solid)

Type MCI-A Cables (120/208V & 277/480V) Technical Specifications

[AFC Cable Systems](#)
[Kaf-Tech](#)



Armor

- Interlocked Aluminum Strip

Conductors

- Solid Copper

Conductor Insulation

- Type THHN with Protective Polypropylene Covering on Each Insulated Conductor (No Assembly Tape)

Maximum Temperature Rating

- 90°C (Dry)

Grounding

- Combined Armor and Full-Sized Aluminum Ground/Bond Conductor
NEC® 250.118(10)(b)



Neutral Conductor

- White 120 /208V
- Gray 277 /480V

Maximum Voltage Rating

- 600V

References & Ratings

- UL 83,1479,1569,1581, 2556, File Reference E80042
- NEC® 230, 250, 300, 330, 392, 396, 501, 502, 503, 505, 518, 520, 530, 645
- NEC® 300.22 (C) Other Spaces Used For Environmental Air (Plenums)
- UL classified 1, 2, and 3, hour through (Fire) penetration product R14141
- Cable tray rated, install per NEC®
- Federal Specification A-A-59544 (formerly J-C-30B)
- Meets all applicable OSHA and HUD requirements
- May be surface mounted, fished and /or embedded in plaster
- Made in USA of US and /or imported materials
- Aluminum armored cables are RoHS compliant

Part Number		Trade Size AWG	Bare Alum. Bonding/Bond Cond. AWG	Approx. Weight/ 1,000ft (lb)	Armor Nom. O.D. (in)
250' Coil	1000' Reel				
120/208V Solid					
3104Z42-00	3104Z60-00	12-2 Solid (Black, White)	10	90	0.463
3105Z42-00	—	12-3 Solid (Black, Red, White)	10	122	0.523
3106Z42-00	—	12-4 Solid (Black, Red, Blue, White)	10	167	0.565
277/480V Solid					
3104Z42-01	—	12-2 Solid (Brown, Gray)	10	90	0.463
3104Z42-04	—	12-2 Solid (Red, White)	10	90	0.463

NOTE: All dimensions and weights are subject to normal manufacturing tolerances.

* Special Order, subject to lead times and minimum order quantities.

USE WITH AN MCI-A LISTED CONNECTOR

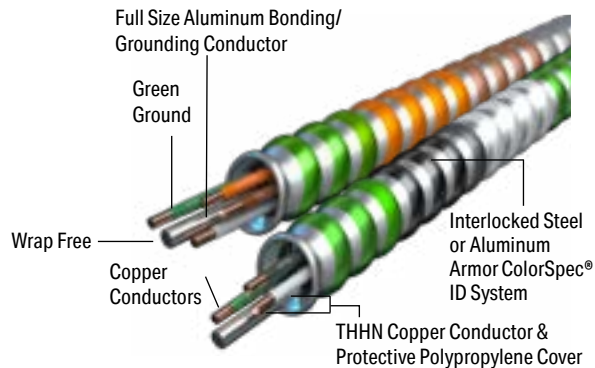
Type MCI-A Cables - Armor + Bond = Equipment Grounding Path

Click brand for more
product info ↓

[AFC Cable Systems](#)
[Kaf-Tech](#)

MC-Stat® & MC-Stat® Lite Cable

Type MCI-A Cables (120/208V Colors & 277/480V Colors)
Technical Specifications Healthcare Facility Cables



Armor

- Interlocked Galvanized Steel Strip or Interlocked Aluminum Strip (Light Green Striped)

Conductors

- Solid or Stranded Copper

Conductor Insulation

- Type THHN with Protective Polypropylene Covering on Each Insulated Conductor (No Assembly Tape)

Maximum Temperature Rating

- 90°C (Dry)

Grounding

- Two Grounding Means - (1) Combined Armor and Full-Sized Aluminum Ground Conductor per NEC® 250.118(10)(b), (2) Full-Sized Green Insulated Copper Grounding Conductor per NEC® 250.118(1)

Neutral Conductor

- White 120 /208V
- Gray 277 /480V

Maximum Voltage Rating

- 600V

References & Ratings

- UL 83,1479,1569,1581, 2556, File Reference E80042
- NEC® 230, 250, 300, 330, 392, 396, 501, 502, 503, 505, 517, 518, 520, 530, 645
- NEC® 300.22 (C) Other Spaces Used For Environmental Air (Plenums)
- UL classified 1, 2, and 3, hour through (Fire) penetration product R14141
- Cable tray rated, install per NEC®
- Federal Specification A-A-59544 (formerly J-C-30B)
- Meets all applicable OSHA and HUD requirements
- May be surface mounted, fished and /or embedded in plaster
- Made in USA of US and /or imported materials
- Aluminum armored cables are RoHS compliant

USE WITH AN MCI-A LISTED CONNECTOR

Type MCI-A Cables - Armor + Bond = Equipment Grounding Path

Click brand for more
product info ↓

MC-Stat® & MC-Stat® Lite Cable

[AFC Cable Systems](#)
[Kaf-Tech](#)

Type MCI-A Cables (120/208V Colors & 277/480V Colors)
Technical Specifications Healthcare Facility Cables



Part Number		Trade Size AWG	Grounding Conductor AWG Color	Bare Alum. Bonding/Bond Cond. AWG	Approx. Weight/ 1,000ft (lb)	Approx. Armor Nom. O.D. (in)
250' Coil	1000' Reel					
MC-Stat® Lite Aluminum Cable • 120/208V Solid						
5804-42-00	5804-60-00	12-2 Solid (Black, White)	12-Solid (Green)	10	122	0.523
5805-42-00	—	12-3 Solid (Black, Red, White)	12-Solid (Green)	10	152	0.565
MC-Stat® Lite Aluminum Cable • 120/208V Stranded						
—	5858-60-00	12-2 Stranded (Black, White)	12-Stranded (Green)	10	127	0.539

NOTE: All dimensions and weights are subject to normal manufacturing tolerances.
* Special Order, subject to lead times and minimum order quantities.



TYPE MC-PCS CABLES - POWER + CONTROL/SIGNAL CABLE (LUMINARY)

AFC Cable Systems
Kaf-Tech

Table of Contents

↓ [Click below to view product section](#)

MC Glide Luminary Lite™ Cable
MC Glide Luminary Tuff™ Cable
MC Lite Luminary® Cable
MC Luminary HCF® Cable
MC Luminary Quik® Cable
MC Luminary PVC Jacketed Cable
MC Tuff Luminary® Cable



Type MC-PCS Cables - Power + Control/Signal Cable (Luminary)

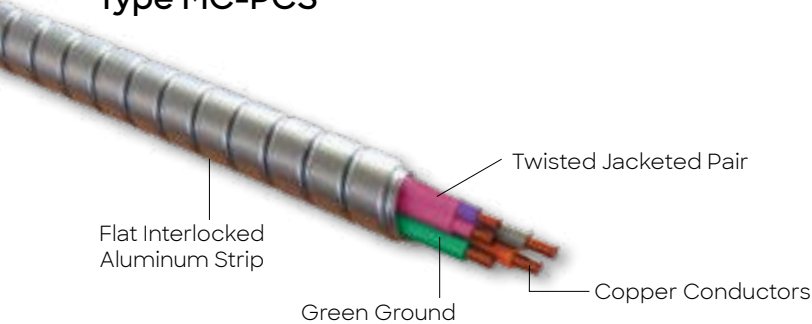
Click brand for more
product info ↓

[AFC Cable Systems](#)
[Kaf-Tech](#)

MC Glide Luminary Lite™ Cable

U.S. Patent 11,101,056 | U.S. Design Patent D935,731 | U.S. Patent 10,431,353

Type MC-PCS



Armor

- Interlocked Aluminum Strip (Plain)

Conductors

- Solid/Stranded Copper

Conductor Insulation

- THHN (Power)
- TFN (Control)

Maximum Temperature Rating

- 90°C (Dry)

Neutral Conductor

- White 120/ 208V
- Gray 277/ 480V

Control Cables

- 16 AWG Solid TFN Twisted Pink Jacketed Pair (Purple/Pink)
- Maximum Voltage Rating 600V

Reference & Rating

- UL 66,83,1479,1569,1581, 2556, File Reference E80042
- NEC® 250.118(I), 300.22(C), 330, 392, 396, 501, 502, 503, 504, 505, 518, 520, 530, 645, 725.136(I)(1)
- NEC® 300.22 (C) Other Spaces Used For Environmental Air (Plenums)
- Power and/or lighting as well as signal and/or control conductors per NEC® section 725.136 (I)(1)
- UL classified 1, 2, and 3, hour through (Fire) penetration product R14141
- Cable tray rated, install per NEC®
- Federal Specification A-A-59544 (formerly J-C-30B)
- Meets all applicable OSHA and HUD requirements
- May be surface mounted, fished and /or embedded in plaster
- Made in USA of US and /or imported materials
- Aluminum armored cables are RoHS compliant

Type MC-PCS Cables - Power + Control/Signal Cable (Luminary)

MC Glide Luminary Lite™ Cable

U.S. Patent 11,101,056 | U.S. Design Patent D935,731 | U.S. Patent 10,431,353
Type MC-PCS

[Click brand for more product info](#) ↓

[AFC Cable Systems](#)
[Kaf-Tech](#)

Part Number		Trade Size	Grounding Conductor AWG	Approx. Weight/ 1,000ft (lb)	Approx. Armor O.D. (in)
250' Coil	1000' Reel				
Solid					
AL04-42-L00	AL04-60-L00	16-2 (TPJ) (Purple, Pink) 12-2 (Black, White)	12-1 (Green)	145	0.570
AL04-42-L01	AL04-60-L01	16-2 (TPJ) (Purple, Pink) 12-2 (Brown, Gray)	12-1 (Green)	145	0.570
AL04-42-L02	AL04-60-L02	16-2 (TPJ) (Purple, Pink) 12-2 (Orange, Gray)	12-1 (Green)	145	0.570
AL04-42-L03	AL04-60-L03	16-2 (TPJ) (Purple, Pink) 12-2 (Yellow, Gray)	12-1 (Green)	145	0.570
AL04-42-L04	—	16-2 (TPJ) (Purple, Pink) 12-2 (Red, White)	12-1 (Green)	145	0.570
AL04-42-L05	—	16-2 (TPJ) (Purple, Pink) 12-2 (Blue, White)	12-1 (Green)	145	0.570

All dimensions and weights are subject to normal manufacturing tolerances.

Other conductor colors available by special order.

*Special Order, subject to lead times and minimum order quantities

MC Luminary Cable is intended for use in non-shielded applications

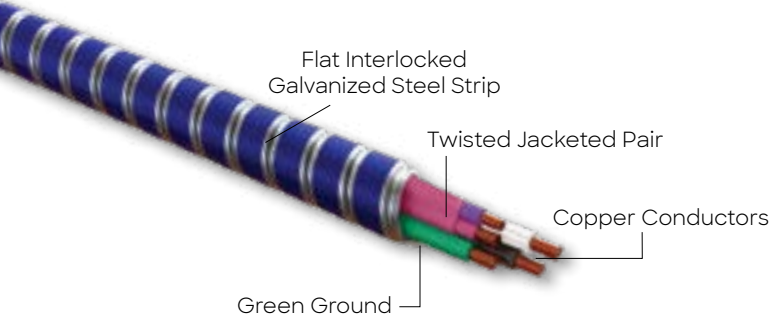
Type MC-PCS Cables - Power + Control/Signal Cable (Luminary)

Click brand for more product info ↓

[AFC Cable Systems](#)
[Kaf-Tech](#)

MC Glide Luminary Tuff™ Cable

U.S. Patent 11,101,056 | U.S. Design Patent D935,731 | U.S. Patent 10,431,353
Type MC-PCS



Armor

- Galvanized Interlocked Steel Strip (Blue)

Conductors

- Solid/Stranded Copper

Conductor Insulation

- THHN (Power)
- TFN (Control)

Maximum Temperature Rating

- 90°C (Dry)

Neutral Conductor

- White 120/ 208V
- Gray 277 /480V

Control Cables

- 16 AWG Solid TFN Twisted Pink Jacketed pair (Purple/Pink)

Maximum Voltage Rating

- 600V

Reference & Rating

- UL 66,83,1479,1569,1581, 2556, File Reference E80042
- NEC® 250.118(I), 300.22(C), 330, 392, 396, 501, 502, 503, 504, 505, 518, 520, 530, 645, 725.136(I)(1)
- NEC® 300.22 (C) Other Spaces Used For Environmental Air (Plenums)
- Power and/or lighting as well as signal and/or control conductors per NEC® section 725.136 (I)(1)
- UL classified 1, 2, and 3, hour through (Fire) penetration product R14141
- Cable tray rated, install per NEC®
- Federal Specification A-A-59544 (formerly J-C-30B)
- Meets all applicable OSHA and HUD requirements
- May be surface mounted, fished and /or embedded in plaster
- Made in USA of US and /or imported materials
- Aluminum armored cables are RoHS compliant

Part Number		Trade Size	Grounding Conductor AWG	Approx. Weight/ 1,000ft (lb)	Approx. Armor O.D. (in)
250' Coil	1000' Reel				
Solid					
SL04B42-L00	—	16-2 (TPJ) (Purple, Pink) 12-2 (Black, White)	12-1 (Green)	208	0.560
SL04B42-L01	—	16-2 (TPJ) (Purple, Pink) 12-2 (Brown, Gray)	12-1 (Green)	208	0.560

All dimensions and weights are subject to normal manufacturing tolerances.

Other conductor colors available by special order.

*Special Order, subject to lead times and minimum order quantities

MC Luminary Cable is intended for use in non-shielded applications

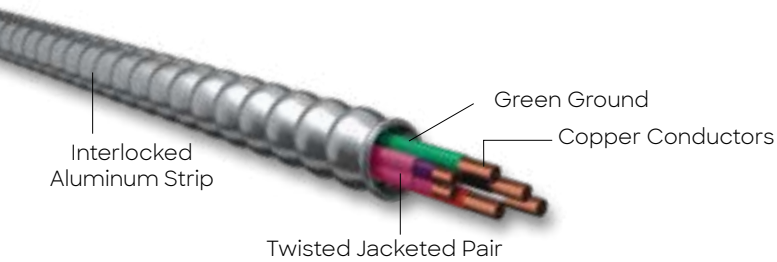
Type MC-PCS Cables - Power + Control/Signal Cable (Luminary)

MC Lite Luminary® Cable

U.S. Patent No. 10,431,353 Type MC-PCS

Click brand for more
product info ↓

[AFC Cable Systems](#)
[Kaf-Tech](#)



Armor

- Interlocked Aluminum Strip (Plain)

Conductors

- Solid/Stranded Copper

Conductor Insulation

- THHN (Power)
- TFN (Control)

Maximum Temperature Rating

- 90°C (Dry)

Neutral Conductor

- White 120 /208V
- Gray 277 /480V

Control Cables

- 16 AWG Solid TFN Twisted Pink Jacketed Pair (Purple/Pink)

Maximum Voltage Rating

- 600V

Reference & Rating

- UL 66,83,1479,1569,1581, 2556, File Reference E80042
- NEC® 250.118(I), 300.22(C), 330, 392, 396, 501, 502, 503, 504, 505, 518, 520, 530, 645, 725.136(I)(1)
- NEC® 300.22 (C) Other Spaces Used For Environmental Air (Plenums)
- Power and/or lighting as well as signal and/or control conductors per NEC® section 725.136 (I)(1)
- UL classified 1, 2, and 3, hour through (Fire) penetration product R14141
- Cable tray rated, install per NEC®
- Federal Specification A-A-59544 (formerly J-C-30B)
- Meets all applicable OSHA and HUD requirements
- May be surface mounted, fished and /or embedded in plaster
- Made in USA of US and /or imported materials
- Aluminum armored cables are RoHS compliant

Type MC-PCS Cables - Power + Control/Signal Cable (Luminary)

MC Lite Luminary® Cable
U.S. Patent No. 10,431,353 Type MC-PCS

[Click brand for more product info](#) ↓

[AFC Cable Systems](#)
[Kaf-Tech](#)

Part Number		Trade Size	Grounding Conductor AWG	Approx. Weight lb /1,000ft	Approx. Armor O.D. (in)
250' Coil	1000' Reel				
Solid					
18BG-42-L00	18BG-60-L00	16-2 (TPJ) (Purple, Pink) 12-3 (Black, Red, White)	12-1 (Green)	183	0.653
18BG-42-L01	18BG-60-L01	16-2 (TPJ) (Purple, Pink) 12-3 (Brown, Orange, Gray)	12-1 (Green)	183	0.653
—	18BH-60-L00	16-2 (TPJ) (Purple, Pink) 10-2 (Black, White)	12-1 (Green)	202	0.670

All dimensions and weights are subject to normal manufacturing tolerances.
Other conductor colors available by special order.
*Special Order, subject to lead times and minimum order quantities
MC Luminary Cable is intended for use in non-shielded applications

Type MC-PCS Cables - Power + Control/Signal Cable (Luminary)

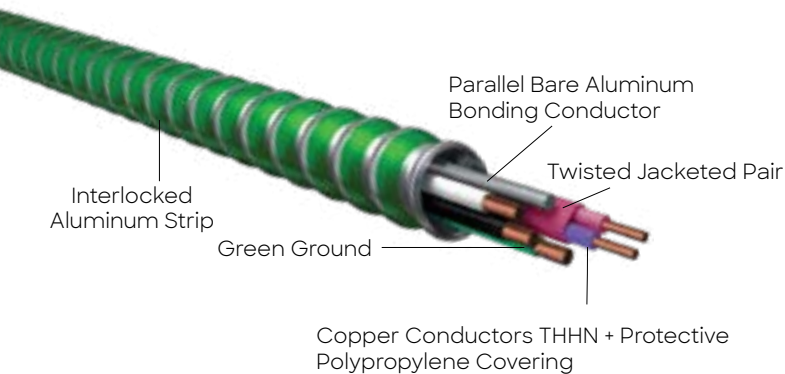
Click brand for more
product info ↓

[AFC Cable Systems](#)
[Kaf-Tech](#)

MC Luminary HCF® Cable

U.S. Patent No. 8,088,997 & U.S. Patent No. 10,431,353

Type MC-PCS Health Care Facilities (Aluminum)



Armor

- Interlocked Aluminum Strip (Light green)

Conductors

- Solid/Stranded Copper

Conductor Insulation

- THHN + Protective Polypropylene Cover (Power)
- TFN (Control)

Maximum Temperature Rating

- 90°C (Dry)

Grounding

- Two grounding means -
 - (1) Combined armor and full-sized aluminum conductor NEC® 250.118(10)(b)
 - (2) Full-sized green insulated copper grounding conductor

Neutral Conductor

- White 120/ 208V
- Gray 277/ 480V

Control Cables

- 16 AWG Solid TFN Twisted Pink Jacketed Pair (Purple/Pink)

Maximum Voltage Rating

- 600V

Reference & Rating

- UL 66,83,1479,1569,1581, 2556, File Reference E80042
- NEC® 250.118(I), 300.22(C), 330, 392, 396, 501, 502, 503, 504, 505, 517,518, 520, 530, 645, 725.136(I)(1), 690.31(G)(2)
- NEC® 300.22 (C) Other Spaces Used For Environmental Air (Plenums)
- Power and/or lighting as well as signal and/or control conductors per NEC® section 725.136 (I)(1)
- UL classified 1, 2, and 3, hour through (Fire) penetration product R14141
- Cable tray rated, install per NEC®
- Federal Specification A-A-59544 (formerly J-C-30B)
- Meets all applicable OSHA and HUD requirements
- May be surface mounted, fished and /or embedded in plaster
- Made in USA of US and /or imported materials
- Aluminum armored cables are RoHS compliant

Type MC-PCS Cables - Power + Control/Signal Cable (Luminary)

Click brand for more
product info ↓

[AFC Cable Systems](#)
[Kaf-Tech](#)

MC Luminary HCF® Cable

U.S. Patent No. 8,088,997 & U.S. Patent No. 10,431,353

Type MC-PCS Health Care Facilities (Aluminum)

Part Number		Trade Size	Grounding Conductor AWG	Bare Alum. Bonding/Bond Cond. Awg	Approx. Weight lb /1,000ft	Approx. Armor O.D. (in)
250' Coil	1000' Reel					
Solid						
LH04-42-L00	LH04-60-L00	16-2 (TPJ) (Purple, Pink) 12-2 (Black, White)	12-1 (Green)	10	207	0.708
LH04-42-L01	—	16-2 (TPJ) (Purple, Pink) 12-2 (Brown, Gray)	12-1 (Green)	10	207	0.708
LH04-42-L02	—	16-2 (TPJ) (Purple, Pink) 12-2 (Orange, Gray)	12-1 (Green)	10	207	0.708
LH04-42-L03	—	16-2 (TPJ) (Purple, Pink) 12-2 (Yellow, Gray)	12-1 (Green)	10	207	0.708
LH05-42-L00	—	16-2 (TPJ) (Purple, Pink) 12-3 (Black, Red, White)	12-1 (Green)	10	237	0.751
LH05-42-L01	—	16-2 (TPJ) (Purple, Pink) 12-3 (Brown, Orange, Gray)	12-1 (Green)	10	237	0.751

All dimensions and weights are subject to normal manufacturing tolerances.
 Also available with Steel armor. Other conductor colors available by special order.
 *Special Order, subject to lead times and minimum order quantities
 MC Luminary Cable is intended for use in non-shielded applications

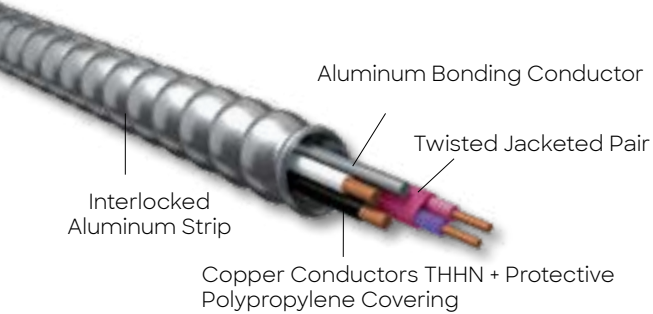
Type MC-PCS Cables - Power + Control/Signal Cable (Luminary)

Click brand for more
product info ↓

[AFC Cable Systems](#)
[Kaf-Tech](#)

MC Luminary Quik® Cable

U.S. Patent No. 8,088,997 Type MC-PCS



Armor

- Interlocked Aluminum Strip (Plain)

Conductors

- Solid/Stranded Copper

Conductor Insulation

- THHN with protective polypropylene covering on each insulated conductor (Power)
- TFN (Control)

Maximum Temperature Rating

- 90°C (Dry) Rating

Neutral Conductor

- White 120/ 208V
- Gray 277/ 480V

Control Cables

- 16 AWG Solid TFN Twisted Pink Jacketed pair (Purple/Pink)

Maximum Voltage Rating

- 600V

Reference & Rating

- UL 66,83,1479,1569,1581, 2556, File Reference E80042
- NEC® 250.118(I), 300.22(C), 330, 392, 396, 501, 502, 503, 504, 505, 518, 520, 530, 645, 725.136(I)(1)
- NEC® 300.22 (C) Other Spaces Used For Environmental Air (Plenums)
- Power and/or lighting as well as signal and/or control conductors per NEC® section 725.136 (I)(1)
- UL classified 1, 2, and 3, hour through (Fire) penetration product R14141
- Cable tray rated, install per NEC®
- Federal Specification A-A-59544 (formerly J-C-30B)
- Meets all applicable OSHA and HUD requirements
- May be surface mounted, fished and /or embedded in plaster
- Made in USA of US and /or imported materials

Type MC-PCS Cables - Power + Control/Signal Cable (Luminary)

MC Luminary Quik® Cable
U.S. Patent No. 8,088,997 Type MC-PCS

Click brand for more
product info ↓

[AFC Cable Systems](#)
[Kaf-Tech](#)

Part Number		Trade Size	Bare Alum. Bonding/ Bond Cond. AWG	Approx. Weight	Approx. Amor
250' Coil	1000' Reel			lb /1,000ft	O.D.
				(lb)	(in)
Solid					
MC04-42-L01	—	16-2 (TPJ) (Purple, Pink) 12-2 (Brown, Gray)	10	166	0.747

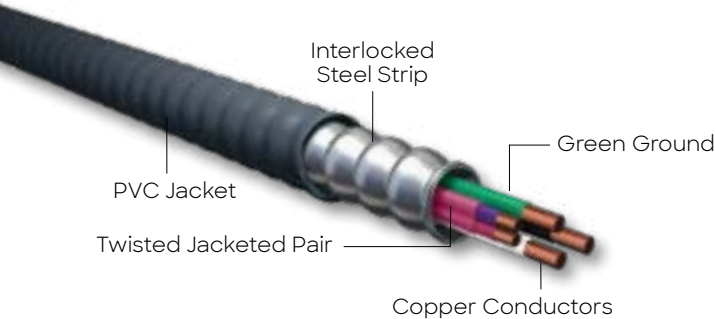
All dimensions and weights are subject to normal manufacturing tolerances.
Also available with Steel armor. Other conductor colors available by special order.
*Special Order, subject to lead times and minimum order quantities
MC Luminary Cable is intended for use in non-shielded applications

Type MC-PCS Cables - Power + Control/Signal Cable (Luminary)

MC Luminary PVC Jacketed Cable
U.S. Patent No. 10,431,353 Type MC-PCS

Click brand for more product info ↓

[AFC Cable Systems](#)
[Kaf-Tech](#)



Armor

- Galvanized Interlocked Steel Strip with PVC jacket

Jacket Color

- Charcoal Gray

Conductors

- Solid Copper

Conductor Insulation

- THHN/THWN (Power)
- TFN (Control)

Maximum Temperature Rating

- 90°C (Dry); 75°C (Wet)

Neutral Conductor

- White 120/ 208V
- Gray 277/ 480V

Control Cables

- 16 AWG Solid TFN Twisted Pink Jacketed Pair (Purple/Pink)

Maximum Voltage Rating

- 600V

Reference & Rating

- UL 66,83,1479,1569,1581, 2556, File Reference E80042
- NEC® 250.118(I), 300.22(C), 330, 392, 396, 501, 502, 503, 504, 505, 518, 520, 530, 645, 725.136(I)(1)
- NEC® 300.22 (C) Other Spaces Used For Environmental Air (Plenums)
- Power and/or lighting as well as signal and/or control conductors per NEC® section 725.136 (I)(1)
- UL classified 1, 2, and 3, hour through (Fire) penetration product R14141
- Cable tray rated, install per NEC®
- Federal Specification A-A-59544 (formerly J-C-30B)
- Meets all applicable OSHA and HUD requirements
- May be surface mounted, fished and /or embedded in plaster
- Made in USA of US and /or imported materials

Part Number		PVC Jacket Color	Trade Size	Grounding Conductor AWG	Approx. Weight	Approx. Armor O.D.	Approx. Over Jacket O.D.
250' Coil	1000' Reel				lb /1,000ft	(in)	(in)
Solid							
LJ04-42-L00	—	Charcoal Gray	16-2 (TPJ) (Purple, Pink) 12-2 (Black, White)	12-1 (Green)	326	0.623	0.723

All dimensions and weights are subject to normal manufacturing tolerances. Other conductor colors available by special order.

*Special Order, subject to lead times and minimum order quantities

MC Luminary Cable is intended for use in non-shielded applications

Recommend Atkore Fittings

Atkore-596-U Uninsulated Trade Size ½"

Atkore-596-I Insulated Trade Size ½"

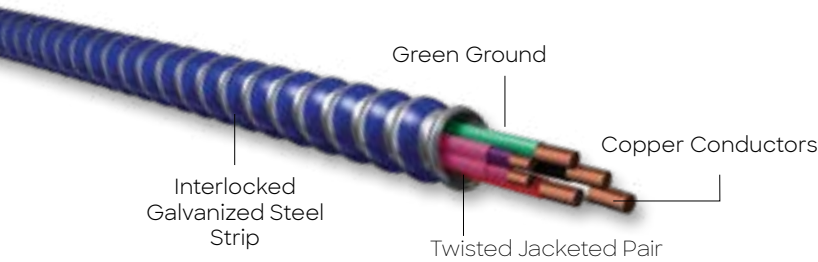
Type MC-PCS Cables - Power + Control/Signal Cable (Luminary)

MC Tuff Luminary® Cable

U.S. Patent No. 10,431,353 Type MC-PCS

Click brand for more product info ↓

[AFC Cable Systems](#)
[Kaf-Tech](#)



Armor

- Interlocked Galvanized Steel Strip (Blue)

Conductors

- Solid Copper

Conductor Insulation

- THHN (Power)
- TFN (Control)

Maximum Temperature Rating

- 90°C (Dry)

Neutral Conductor

- White 120/ 208V
- Gray 277/ 480V

Control Cables

- 16 AWG Solid TFN Twisted Pink Jacketed pair (Purple/Pink)

Maximum Voltage Rating

- 600V

Reference & Rating

- UL 66,83,1479,1569,1581, 2556, File Reference E80042
- NEC® 250.118(I), 300.22(C), 330, 392, 396, 501, 502, 503, 504, 505, 518, 520, 530, 645, 725.136(I)(1)
- NEC® 300.22 (C) Other Spaces Used For Environmental Air (Plenums)
- Power and/or lighting as well as signal and/or control conductors per NEC® section 725.136 (I)(1)
- UL classified 1, 2, and 3, hour through (Fire) penetration product R14141
- Cable tray rated, install per NEC®
- Federal Specification A-A-59544 (formerly J-C-30B)
- Meets all applicable OSHA and HUD requirements
- May be surface mounted, fished and /or embedded in plaster
- Made in USA of US and /or imported materials

Part Number		Trade Size	Grounding Conductor AWG	Approx. Weight lb /1,000ft	Approx. Armor O.D.
250' Coil	1000' Reel			(lb)	(in)
Solid					
18BMB42TL00	—	16-2 (TPJ) (Purple, Pink) 12-3 (Black, Red, White)	12-1 (Green)	242	0.613

All dimensions and weights are subject to normal manufacturing tolerances.

Other conductor colors available by special order.

*Special Order, subject to lead times and minimum order quantities

MC Luminary Cable is intended for use in non-shielded applications



CABLE TRAY SYSTEMS



Cope
US Tray

Cable Tray Systems - Table of Contents

↓ [Click below to view product section](#)

[Introduction](#)

[Wire Basket](#)

[Aickinstrut Fiberglass Framing System](#)

Product Features

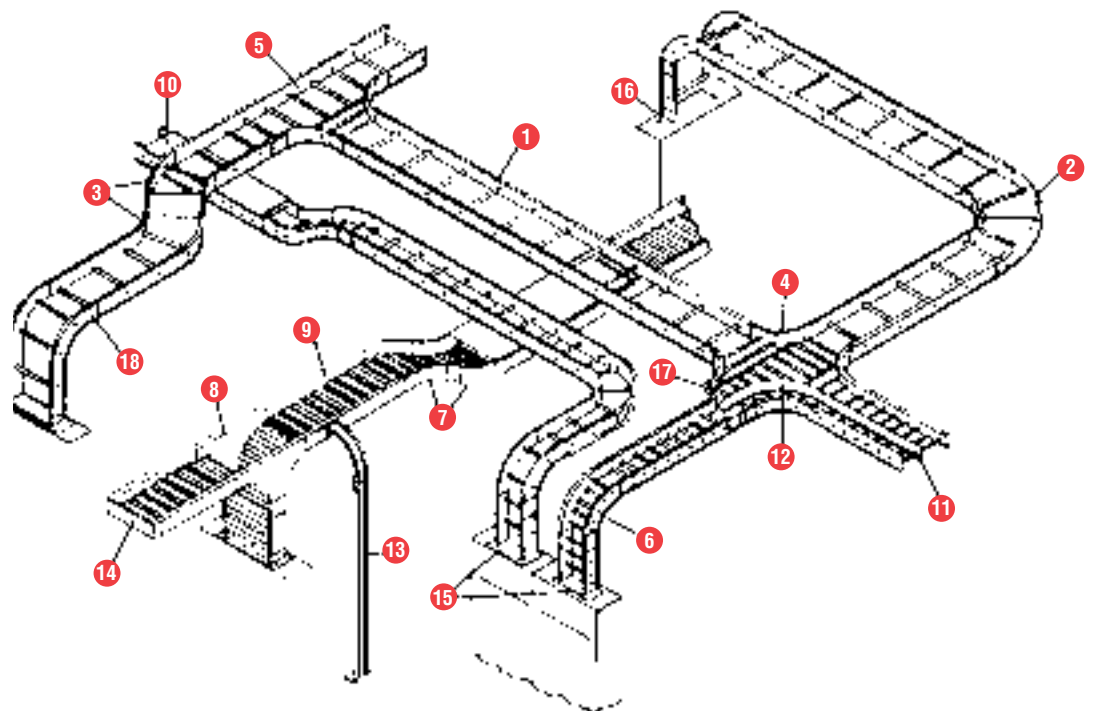
Selecting an Atkore Cable Tray System

A number of factors must be considered when selecting the proper cable tray system and planning the installation:

- Material and Finish
- Types of Cable Tray
- NEMA Class
- Cavity Size – Load/Depth/Width of Tray
- Length of Straight Sections
- Rung Spacing
- Radius of Fittings
- Cable Tray Support Locations
- Electrical Grounding

Cable Tray System Drawing Legend

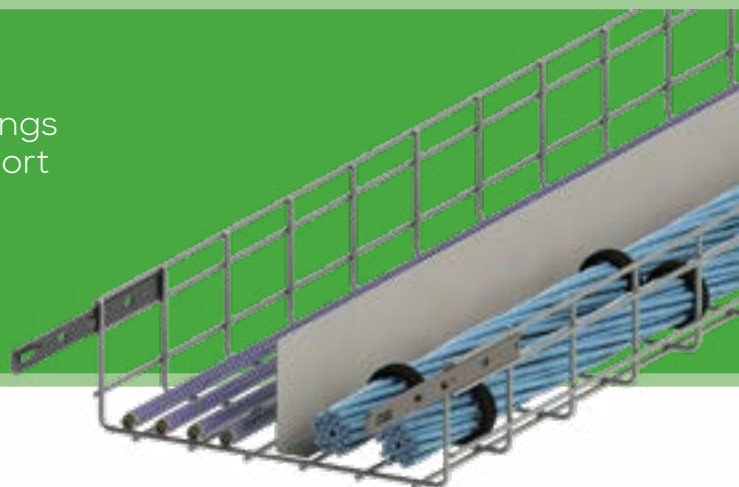
- | | |
|---|-------------------------------------|
| 1. Straight Section, Ladder | 12. Barrier Strip |
| 2. Horizontal Elbow, 90°, Ladder Type | Flexible-Horizontal Fitting |
| 3. Horizontal Elbow, 30°, 45°, or 60° | 13. Straight Section, Channel |
| 4. Horizontal Cross, Ladder Type | 14. Blind End |
| 5. Horizontal Tee, Ladder Type | 15. Box Connector |
| 6. Vertical Elbow, Outside, 90° | 16. Angle Connector |
| 7. Vertical Elbow, Outside & Inside, 30°, 45°, or 60° | 17. Reducing Connector |
| 8. Vertical Tee, Solid Bottom Trof Type | 18. Universal Curvilinear Connector |
| 9. Straight Section, Solid Bottom Trof | |
| 10. Flanged Solid Cover | |
| 11. Barrier Strip- Straight Section | |



Cable Tray 101

Types Of Cable Tray

Any assembly of cable tray straight sections, fittings and accessories that form a rigid system to support cables is a cable tray. The different types of tray designs are described below.



C-Channel Swage Ladder

Two aluminum or steel C-Channel profile side rails with transverse ladder rungs; provides the most rigid ladder tray system. Ideal for high vibration environments.

I-Beam Ladder

Two extruded aluminum I-Beam profile side rails with transverse welded rungs. Best in class loading capacities provide long support span capability and versatility.

Ventilated Trof

Two steel C-Channel flange in and welded corrugated bottom construction. Trof cable trays are the best choice for smaller cables. Ventilated trofs offer some airflow while completely eliminating cable sagging.

Solid Trof

Two steel C-Channel flange in and welded solid bottom construction. Solid bottom cable trays completely eliminate cable sagging and offer the most protection for the cables.

Eagle Basket

Provides the superior flexibility and ease of installation require by power and data-com installations. The exclusive Quick-Latch system provides industry leading installation time. Offered in a variety of materials and finishes, the 2"x4" wire mesh grid construction allows for maximum airflow.

Cable Channel

Metal U-Shaped construction available with ventilated or solid bottom. Ideal for branch power circuits, control, signal, and tubing systems.

Fiberglass Cable Tray

Fiberglass cable tray provides the answer to many adverse environments. Life cycle costs, long span capability and easy field modification make fiberglass tray an ideal choice for industrial, chemical, and petro-chemical facilities.

Cable Tray 101



Materials and Finish

The material selection is based on the environmental conditions and economic considerations for the project.

Aluminum

Aluminum material in accordance with AA-6063-T6. Aluminum trays are suitable for most outdoor applications and offer reductions in total installed costs.

Steel - Pre-Galvanized

Hot Dip Mill-Galvanized steel (ASTM-A-653-G90 CS) is zinc coated by a hot dip process. Steel strip from a coil is fed through a continuous zinc coater which cleans, fluxes and coats the steel with molten zinc. After cooling, the steel is recoiled. The pre-galvanized coating provides a total weight of 0.90 oz. of zinc for both sides of one square foot of material.

Mill-galvanized ladder is made of pre-galvanized steel and generally used indoors or in locations not exposed to the elements or corrosives.

Steel - Hot Dip Galvanized after Fabrication

In hot dip galvanizing after fabrication (HDGAF), the finished part is immersed in a bath of molten zinc (ASTM 123). This method results in complete zinc coverage and a thicker coating than pre-galvanized or electro-plated steel.

The zinc coating is typically 2.6 mils or 1.5 oz./sq. ft. of surface area.

This is the coating of choice for applications where protection from severe corrosion is a design factor.

Stainless Steel

Type 304 and Type 316 stainless steel material in accordance with ASTM-A-240.

Fiberglass

For extremely corrosive areas, Atkore offers the most complete line of fiberglass cable trays available. In addition, a full line of Aickinstrut and channel fiberglass products is available to support your full raceway installation.



WIRE BASKET

[Cope](#)
[US Tray](#)

Table of Contents

↓ [Click below to view product section](#)

Materials & Finishes

QUICK-LATCH

T-LATCH

Straight Lengths

2" Deep Eagle Basket

4" Deep Eagle Basket

6" Deep Eagle Basket

Accessories & Hardware

Tray Divider

Bend & Intersection Bars

Connector Hardware Kits

Bottom Clip

Grounding Clip

Conduit to Basket Clip

Strut Clip

Table of Contents continued on next page



Table of Contents (continued)

↓ [Click below to view product section](#)

- Mounting Drop Rod Clips
- Cover
- Support Brackets
- Wall Clip
- Supports

Wire Basket

Eagle Basket Materials and Finishes

EAGLE BASKET is offered in a wide variety of materials and finishes to meet all of your environmental and aesthetic requirements.



Suffix	Material	Finish	Controlled Interior	Exterior	Oil/Gas Petrochemical	Food Processing	Highly Corrosive Applications
No suffix needed	ASTM A 510 GRADE 1008	Electroplated zinc galvanized after fabrication ASTM B633	X				
HDG	ASTM A 510 GRADE 1008	Hot Dipped Galvanized after fabrication ASTM 123		X	X		
SS	304L Stainless Steel	ASTM A580		X	X	X	
S1	316L Stainless Steel	ASTM A580		X	X	X	X
PCWT	ASTM A 510 GRADE 1008	White powder coat finish after application	X				
PCBK	ASTM A 510 GRADE 1008	Black powder coat finish after application	X				
PC(X)	ASTM A 510 GRADE 1008	Custom powder coat finish after application e.g. PCY = Powder coat yellow	X				

Eagle Basket Product Code - Use when Ordering or Specifying Eagle Basket

Tray Type	Load Depth (in)		Width (in)	Straight Length		Length (in)
EGL	H	-	WW	SL	-	120

For example: EGL2-24SL-120 is the product code for 2" load depth, 24" wide Eagle Basket

Wire Basket

QUICK-LATCH™

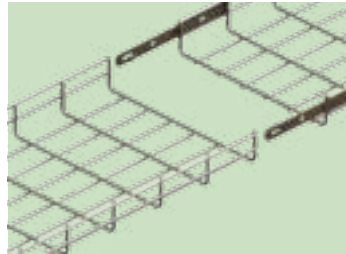
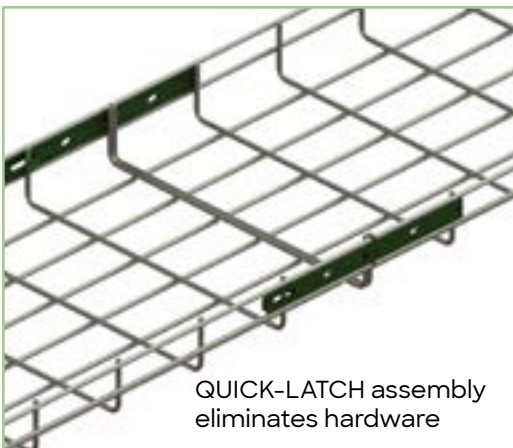
Click brand for more product info ↓

Cope
US Tray

The Industry's only zero-hardware solution for all tray sizes

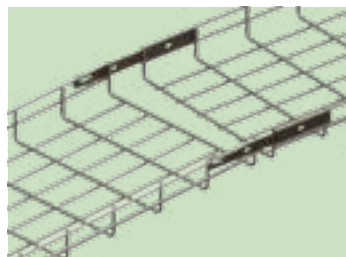
The QUICK-LATCH™ splicing system makes connecting EAGLE BASKET fast and easy. The QUICK-LATCH or self-splicing bars come pre-installed on ALL Eagle Basket straight lengths, eliminating the need for nut and bolt type connections. The AUTOLOCK is built into the QUICK-LATCH which locks the trays into place for a secure connection.

ALSO SOLD INDIVIDUALLY



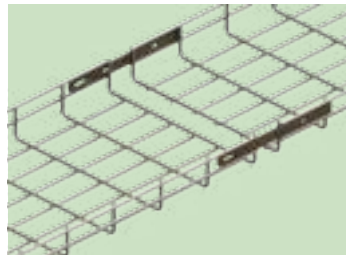
Step 1

Align the trays as shown



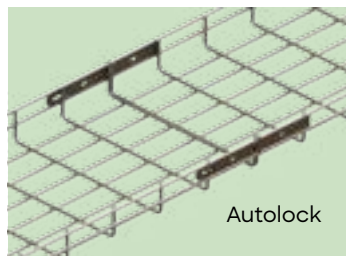
Step 2

While raising the edge of the tray with QUICK-LATCH slide the tray forward but do not engage the AUTO-LOCK



Step 3

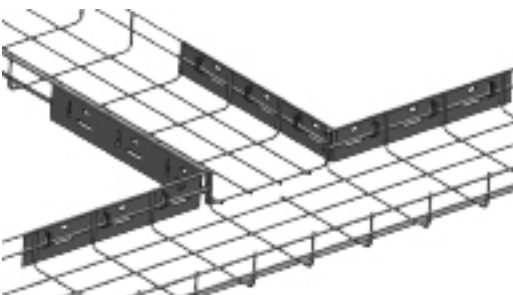
Lower the edge of the QUICK-LATCH over the back edge of the tray



Step 4

Slide the tray forward to engage QUICK-LATCH and AUTO-LOCK

T-LATCH



Click brand for more product info ↓

Cope
US Tray

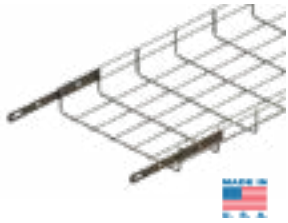
- Quick-latch accessory for T's & crosses
- Bonding jumpers and grounding clips for EGC

Wire Basket

[Click brand for more product info](#) ↓

[Cope US Tray](#)

2" Deep Eagle Basket



Features:

- Double rod reinforced tray is 2" high
- Standard length of tray is 10'
- Additional widths available upon request
- Standard finish is electro-galvanized (EG)
- Zero hardware to connect straight lengths
- For continuous grounding use EGL-GC

EGL2-(WW)SL-120

Part Number	Nominal Width	Wire Diameter	Weight (piece)	Loading (lb/ft)					
				(in)	(mm)	(in)	(lb)	5' Span	6' Span
EGL2-04SL-120		4	100	0.197	6.8	60	42	23	19
EGL2-06SL-120		6	150	0.197	8.0	60	42	23	19
EGL2-12SL-120		12	300	0.197	14.5	89	62	35	27
EGL2-16SL-120		16	400	0.197	25.3	149	103	58	46
EGL2-18SL-120		18	450	0.197	27.6	149	103	58	46
EGL2-24SL-120		24	600	0.197	34.3	149	103	58	46

Features:

- Also available in stainless steel (SS) finish

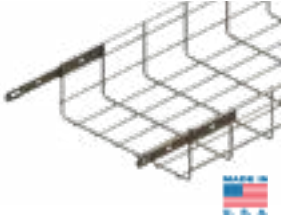
Part Number	Nominal Width	Wire Diameter	Weight (piece)	Loading (lb/ft)					
				(in)	(mm)	(in)	(lb)	5' Span	6' Span
EGL2-04SL-120SS		4	100	0.197	6.8	60	42	23	19
EGL2-08SL-120SS		8	200	0.197	9.3	89	62	35	27

Wire Basket

[Click brand for more product info](#) ↓

[Cope US Tray](#)

4" Deep Eagle Basket



Features:

- Double rod reinforced tray is 4" high
- Standard length of tray is 10'
- Additional widths available upon request
- Standard finish is electro-galvanized (EG)
- Zero hardware to connect straight lengths
- For continuous grounding use EGL-GC



EGL4-(WW)SL-120

Part Number	Nominal Width	Wire Diameter	Weight (piece)	Loading (lb/ft)					
				(in)	(mm)	(in)	(lb)	5' Span	6' Span
EGL4-04SL-120		4	100	0.197	9.3	108	75	42	33
EGL4-06SL-120		6	150	0.197	11.9	108	75	42	33
EGL4-08SL-120		8	200	0.197	14.5	108	75	42	33
EGL4-12SL-120		12	300	0.197	25.3	182	127	71	56
EGL4-18SL-120		18	450	0.197	32.0	182	127	71	56
EGL4-24SL-120		24	600	0.197	38.8	182	127	71	56

[Click brand for more product info](#) ↓

[Cope US Tray](#)

6" Deep Eagle Basket



Features:

- Double rod reinforced tray is 4" high
- Standard length of tray is 10'
- Additional widths available upon request
- Standard finish is electro-galvanized (EG)
- Zero hardware to connect straight lengths
- For continuous grounding use EGL-GC



EGL6-(WW)SL-120

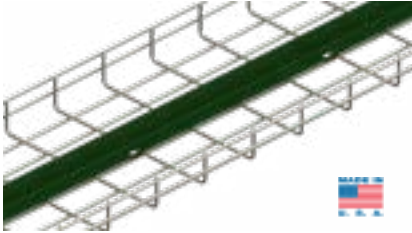
Part Number	Nominal Width	Wire Diameter	Weight (piece)	Loading (lb/ft)					
				(in)	(mm)	(in)	(lb)	5' Span	6' Span
EGL6-06SL-120		6	150	0.197	8.0	60	42	23	19
EGL6-12SL-120		12	300	0.197	29.8	235	163	92	73
EGL6-24SL-120		24	600	0.197	48.4	235	163	92	73

Wire Basket

[Click brand for more product info](#) ↓

Tray Divider

[Cope US Tray](#)



Features:

- Easy mounting using the LANCE feature to fasten divider to basket
- Cut “V” notches into bottom flange to make barriers for flat fittings



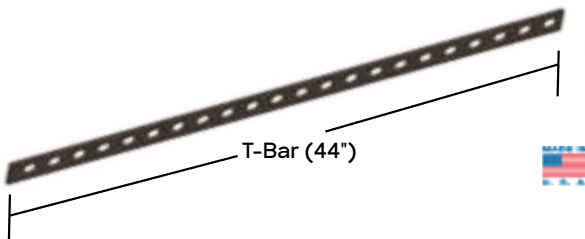
Part Number	Depth (in)	Standard Finish	Product Weight per Piece (lb)
EGL4-01SB-120	3.60	Electro-galvanized (EG)	1.0

Splicing

[Click brand for more product info](#) ↓

T-BAR - Bend & Intersection Bar

[Cope US Tray](#)



- Connect using CH3 (sold separately)
- Bend 90° for use as an angle connector

Part Number	Width (in)	Length (in)	Standard Finish	Product Weight per Piece (lb)
T-BAR	3/4	44	Electro-galvanized (EG)	1.43

Wire Basket

Fitting Hardware

CH1 - Connector Hardware Kit

[Click brand for more product info](#) ↓

[Cope US Tray](#)



- Standard bar connector is 1 3/16" x 1 1/16"
- EG-CBN connector hardware included

Note: Always place nut on outside of tray

Part Number	Standard Finish	Package Quantity
CH1	Electro-galvanized (EG)	10

CH2 - Connector Hardware Kit

[Click brand for more product info](#) ↓

[Cope US Tray](#)



- Bottom connector is 2" x 2 3/8"
- EG-CBN connector hardware included

Note: Always place nut on outside of tray

Part Number	Standard Finish	Package Quantity
CH2	Electro-galvanized (EG)	10

CH3 - Connector Hardware Kit

[Click brand for more product info](#) ↓

[Cope US Tray](#)



- Universal connector is 1 1/16" x 1 3/16"
- EG-CBN connector hardware included

Note: Always place nut on outside of tray

Part Number	Standard Finish	Package Quantity
CH3	Electro-galvanized (EG)	10

Wire Basket

Fitting Hardware

EG-CBN - Connector Hardware

[Click brand for more product info](#) ↓

[Cope US Tray](#)



- 1/4"-20 x 3/4" carriage bolt
- 1/4"-20 hex head nut

Note: Always place nut on outside of tray

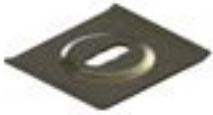
Part Number	Standard Finish	Package Quantity
EG-CBN	Electro-galvanized (EG)	10

Clips

BOTTOM-CLIP

[Click brand for more product info](#) ↓

[Cope US Tray](#)



- Can be used as a hold down clip to relay racks and strut
- Up to 1/4" diameter hardware for securing to strut
- EG-CBN sold separately
- Note: Always place nut on outside of tray

Part Number	Standard Finish	Package Quantity
BOTTOM-CLIP	Electro-galvanized (EG)	10

EGL-GC - Grounding Clip

[Click brand for more product info](#) ↓

[Cope US Tray](#)



- Connection to splice bars requires a nut and bolt assembly (EG-CBN) purchased separately
- Use on both sides of tray

Note: Always place nut on outside of tray

Part Number	Standard Finish	Package Quantity
EGL-GC	Pre-galvanized (PG)	10

Wire Basket

Clips

EGL-EMT-CLIP - Conduit to Basket Clip

[Click brand for more product info](#) ↓

[Cope](#)
[US Tray](#)



- Two different latching configurations:
Configuration 1 accommodates ½”, ¾” and 1” EMT Connectors
Configuration 2 accommodates ½”, ¾” and 1-1/4” EMT Connectors
- Bottom mounting for all load depths
- Side mounting for 4” and 6” load depth
- Note: Always place nut on outside of tray

Part Number	Standard Finish	Package Quantity
EGL-EMT-CLIP	Electro-galvanized (EG)	10

EGL-STRUT-CLIP - Strut Clip

[Click brand for more product info](#) ↓

[Cope](#)
[US Tray](#)



- Clip to secure wire basket to 1 5/8” strut channel
- Install with a quarter turn with screwdriver
- Geomet finish suitable for use with EG, HDG, and SS tray

Note: Always place nut on outside of tray

Part Number	Standard Finish	Package Quantity
EGL-STRUT-CLIP	Geomet	50

Wire Basket

Mounting Drop Rod Clips

EGL-SIDE-DRC - Side-Drop Rod Clip

[Click brand for more product info](#) ↓

[Cope US Tray](#)



- For all widths of tray

Part Number	Bracket Thickness (in)	Standard Finish	Product Weight per Piece (lb)
EGL-SIDE-DRC	0.08	Pre-galvanized (PG)	0.13

EGL-2x8-DRC - 8"-12" Center-Drop Rod Clip

[Click brand for more product info](#) ↓

[Cope US Tray](#)



- For all 8" and 12" width tray
- Easy mounting of cable tray using the LANCE feature to fasten the tray to hanger

Part Number	Bracket Thickness (in)	Standard Finish	Product Weight per Piece (lb)
EGL-2x8-DRC	0.11	Pre-galvanized (PG)	0.40

Wire Basket

[Click brand for more product info](#) ↓

[Cope US Tray](#)

EGL-CVR-(WW) - Cover



- Standard finish is pre-galvanized (PG)
- Length is 10'
- Easy mounting using the TAB feature to fasten the cover to basket

Part Number	Width	Standard Finish
	(in)	
EGL-CVR-06	6	Pre-galvanized (PG)
EGL-CVR-08	8	Pre-galvanized (PG)
EGL-CVR-12	12	Pre-galvanized (PG)

EGL-MSB-(WW) - Medium Support Bracket

[Click brand for more product info](#) ↓

[Cope US Tray](#)



- Used for trapeze and center hung supports
- Easy mounting of cable tray using the LANCE feature to fasten the basket to support

Basket Width (in)	Part Number		Channel (Lanced Strut)	Standard Finish
	Trapeze	Center Hung		
18	—	EGL-MSB-18	1 5/8" x 1 3/16"	Pre-galvanized (PG)

Wire Basket

[Click brand for more product info](#) ↓

[Cope US Tray](#)

EGL-HWSB-(WW) - Heavy-Duty Support Bracket



- 1 5/8" x 1 5/8" lanced strut
- Standard finish is pre-galvanized (PG)
- Used for trapeze and center hung supports
- Easy mounting of cable tray using the LANCE feature to fasten the basket to bracket

Part Number	Channel Size	Tray Width (W)	Length (L)	Weight	Load
		(in)	(in)	(lb)	(lb)
EGL-HWSB-12	1-5/8" X 1-5/8"	12	14	2.5	450
EGL-HWSB-18	1-5/8" X 1-5/8"	18	20	3.0	337

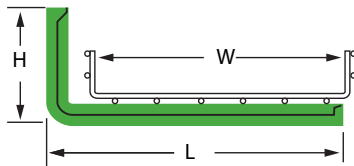
[Click brand for more product info](#) ↓

[Cope US Tray](#)

EGL-CPA-(WW) - Wall Clip



- For attaching tray to wall
- Standard finish is pre-galvanized (PG)
- Easy mounting of cable tray using the LANCE feature to fasten the tray to the supports



Part Number	Tray Size (W)	Height (H)	Length (L)	Weight	Load
	(in)	(in)	(in)	(lb)	(lb)
EGL-CPA-12	12	5	14	1.5	202

Wire Basket

[Click brand for more product info](#) ↓

[Cope US Tray](#)

EGL-ZBAR-(WW) - ZED Brackets



- ZED floor or wall mounted supports
- Pre-cut to length of Eagle Basket width (see chart below)
- Standard finish is pre-galvanized (PG)
- Easy mounting of cable tray using the LANCE feature to fasten the tray to the supports



Part Number	Basket Width	WW Dimension
	(in)	(in)
EGL-ZBAR-12	12	12



AICKINSTRUT FIBERGLASS FRAMING SYSTEM

Cope
US Tray

Table of Contents

↓ [Click below to view product section](#)

[Introduction](#)

[Channel](#)

[Heavy Duty - Standard Profile](#)



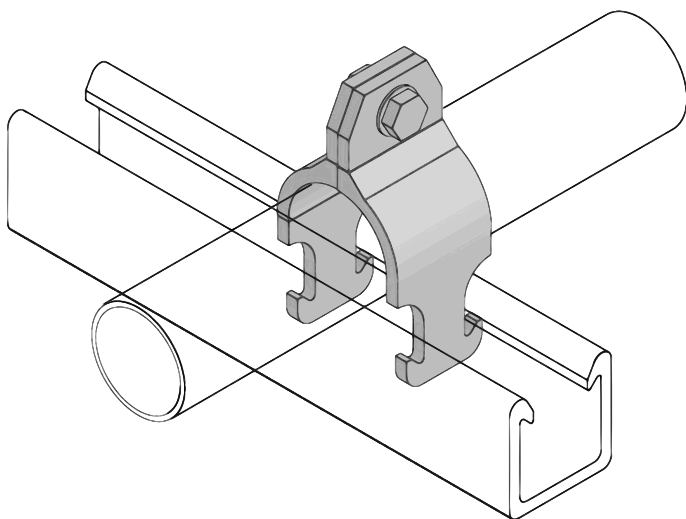
Aickinstrut Fiberglass Framing System

Introduction

Aickinstrut Fiberglass Strut is the most widely used and accepted nonmetallic strut support system in the world because it is the most complete quality line of nonmetallic accessories, fasteners, hangers, pipe clamps and channels available. Aickinstrut is a versatile, high-strength product that has been successfully used in thousands of applications worldwide. Some of those applications include wastewater treatment, refineries, chemical plants, marinas, pulp and paper, desalination facilities, theme parks, aquariums and underground vaults.

Made from entirely nonmetallic, corrosion resistant resins, Aickinstrut can be used in demanding environments where steel strut systems have traditionally failed. Its lightweight components can be installed quickly and easily using standard metal working tools. All Aickinstrut parts incorporate the highest quality materials to provide superior chemical resistance, strength, flame resistance and ultraviolet protection.

Because Aickinstrut manufactures a complete corrosion resistant strut support system, the customer has the benefit of purchasing all of these items from a single source, thereby minimizing start up and delivery delays.



The Pultrusion Process

The pultruded structural component is made by reinforcing a polymer resin (usually polyester or vinyl ester resin) with multiple strands of glass filament and alternating layers of glass mat.

The glass is drawn through the liquid resin, which coats and saturates the fibers. The combination of resin and glass is then continuously guided and pulled (pultruded) through a heated die that determines the shape of the component.

In the die, the resin is cured to form a permanent, reinforced part which can be cut to a specific length. Since the hardened fiberglass pultrusion is reinforced with an internal arrangement of permanently bonded continuous glass fibers, it possesses great strength. In addition to strength, pultruded fiberglass components exhibit exceptional corrosion and fire resistance. This attribute makes fiberglass the material of choice for many harsh industrial applications.

Material

The finished Aickinstrut application will utilize a combination of materials from the following resin families:

Material Code	Material	Low Temperature	High Temperature
E	PVC (extruded)	-25°F	130°F
P	Polyester (pultruded)	-35°F	200°F
V	Vinyl ester (pultruded)	-35°F	200°F
PU	Polyurethane (injection molded)	-40°F	140°F
PP	Polypropylene (injection molded)	-30°F	150°F
N	Nylon (injection molded)	-20°F	150°F

The ability of each material to handle high and low temperatures, chemical exposures and static loads allows you to select the optimal Aickinstrut Channel, Fittings and Accessories for your particular applications.

Aickinstrut Fiberglass Framing System

Polyester and Vinyl Ester Materials

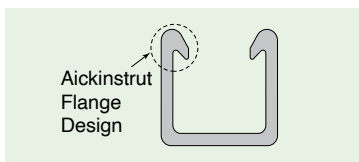
The polyester and vinyl ester channels are manufactured from the pultrusion process. The vinyl ester resin system is somewhat stronger and is applied in severe corrosive applications. Both resin systems are flame retardant, conforming to ASTM E84, Class 1 flame rating and are self extinguishing per the requirements of UL94V-0.

PVC Materials

PVC channels are manufactured from the extrusion process, in which a PVC resin mixture is continuously fed through a heated die that determines the shape of the component. In the die, the resin is cured to form a permanent, extruded part that can be cut to a specific length. Extruded components do not incorporate glass-reinforcement; consequently, they do not exhibit the same beam strength as their pultruded counterparts. PVC components, however, exhibit exceptional corrosion and fire resistance, making PVC channel an excellent alternative when excessive beam strength is not required.

Channel Framing

All Aickinstrut channels, except the SST series, incorporate a flange design which provides reliable fastening and interlocking of Aickinstrut components and accessories.

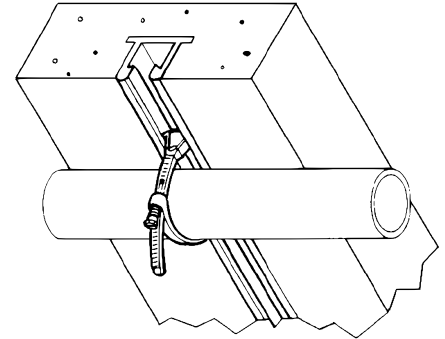


Aickinstrut channel is available in 3 materials:

- Polyester (P material) - Gray
- Vinyl Ester (V material) - Beige
- PVC (E material) - Dark Gray

Concrete Embedment Channel

In certain applications, it is necessary to embed a corrosion resistant channel into a new pouring of concrete.



For these applications, Aickinstrut concrete embedment channel is recommended. Aickinstrut embedment channel is available in three material types: PVC, polyester and vinyl ester. The PVC embedment channel is extruded as one piece while the polyester and vinyl ester embedment channel is a two piece bonded type design. The PVC embedment channel is available in the 1 $\frac{5}{8}$ " profile while polyester and vinyl ester embedment channels are available in all three profiles (1 $\frac{5}{8}$ ", 1 $\frac{1}{2}$ " & 1 $\frac{1}{8}$ ").

The embedment channel utilizes two continuous protruding flanges in the profile base to retain the channel in the concrete. Mounting the embedment channel flush with the concrete surface is a convenient way to secure piping, conduits or electrical enclosures to a wall or ceiling. The PVC embedment channel is extremely high in strength. When embedded in 3,000 PSI concrete, the concrete will fail before the channel is pulled out. When field cuts are made, product must be sealed using acrylic enamel.

Aickinstrut SST Channel

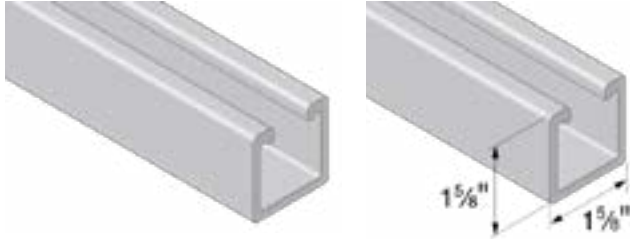
Aickinstrut SST Fiberglass Channel incorporates a standard channel profile that will accommodate metallic pipe straps and clamps. SST channel is available in polyester or vinyl ester resin. All standard styles (solid, slotted, concrete insert and back-to-back) are available.

Aickinstrut Fiberglass Framing System

[Click brand for more product info](#) ↓

Standard Heavy Duty Channel - Standard Profile*

[Cope](#)
[US Tray](#)



Part Number	Length (ft)	A (in)	B (in)	Finish
20P-2000-SST	10	1 5/8	1 5/8	Polyester

*Aickinstrut pipe clamps, pipe straps, etc. not compatible with Standard profile. For compatible metallic accessories, refer to the Strut Systems section. Standard lengths of 10ft.

Standard Heavy Duty Back-to-Back Channel - Standard Profile*

[Click brand for more product info](#) ↓

[Cope](#)
[US Tray](#)



Part Number	Length (ft)	A (in)	B (in)	Finish
20P-2100-SST	10	1 5/8	3 1/4	Polyester

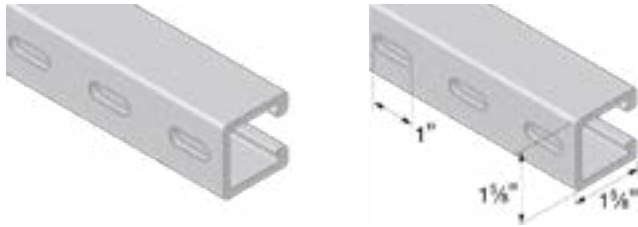
*Aickinstrut pipe clamps, pipe straps, etc. not compatible with Standard profile. For compatible metallic accessories, refer to the Strut Systems section. Standard lengths of 10ft.

Aickinstrut Fiberglass Framing System

Slotted Heavy Duty Channel - Standard Profile*

Click brand for more product info ↓

[Cope](#)
[US Tray](#)



Part Number	Hole Diameter (in)	Length (ft)	A (in)	B (in)	Finish
20P-2200-SST	1 x 3/8	10	1 5/8	1 5/8	Polyester

*Aickinstrut pipe clamps, pipe straps, etc. not compatible with Standard profile. For compatible metallic accessories, refer to the Strut Systems section. Standard lengths of 10ft.



CONDUIT



AFC Cable Systems
Allied Tube & Conduit
Calconduit
Heritage Plastics
Kaf-Tech
Queen City Plastics

Conduit - Table of Contents

↓ [Click below to view product section](#)

- Aluminum Rigid Conduit (ARC)
- EMT Conduit
- Flexible Metal Conduit (FMC)
- Galvanized Rigid Steel Conduit (GRC)
- Intermediate Metal Conduit (IMC)
- LiquidTight Flexible Metal Conduit
- LiquidTight Flexible Non-Metallic Conduit
- PVC Conduit
- PVC Coated Conduit



ALUMINUM RIGID CONDUIT

Allied Tube & Conduit
Calconduit

Table of Contents

↓ [Click below to view product section](#)

[Aluminum Rigid Conduit](#)



Aluminum Rigid Conduit (ARC)

Click brand for more product info ↓

Aluminum Rigid Conduit (ARC)

[Allied Tube & Conduit](#)
[Calconduit](#)



Features:

- Manufactured of 6063 alloy in temper designation T-1
- Corrosion resistant Aluminum
- Light weight
- Easy installation
- Low maintenance
- Complete line of elbows and couplings
- Available in sizes 1/2 (16) – 6 (155)
- Color-coded end caps keep threads clean and sharp and help provide trade size recognition

Certifications & Compliances:

- Listed to UL Safety Standard 6A
- Certified to Canadian Standards Association Safety Standard CSA C22.2 No.45.2
- Manufactured in accordance with ANSI C80.5



Part Number	Trade Size		Outside Diameter*		Nominal Wall Thickness		Approximate Weight Per 100 ft (30.5m)		Quantity In Master Bundle	
	(in)	(mm)	(in)	(mm)	(in)	(mm)	(lb)	(kg)	(ft)	(m)
732035	1/2	16	0.84	21.34	0.104	2.64	28	12.7	2500	762.5
732036	3/4	21	1.05	26.67	0.107	2.72	37	17	2500	762.5
732302	1	27	1.315	33.4	0.126	3.2	55	24.7	2000	610
732303	1 1/4	35	1.66	42.16	0.133	3.38	72	32.5	1000	304.8
732304	1 1/2	41	1.9	48.26	0.138	3.51	89	40.2	1000	304.8
732305	2	53	2.375	60.33	0.146	3.71	119	53.8	450	137.2
732306	2 1/2	63	2.875	73.03	0.193	4.9	188	85	300	91.5
732307	3	78	3.5	88.9	0.205	5.21	246	111.7	200	61
732308	3 1/2	91	4	101.6	0.215	5.46	296	134.1	200	61
732309	4	103	4.5	114.3	0.225	5.72	350	158.9	200	61
732310	5	129	5.563	141.3	0.245	6.22	479	217.2	80	23.4
732311	6	155	6.625	168.28	0.266	6.76	635	287.8	60	18.3

All dimensions are for informational purposes only *Tolerances +/- 5%



EMT CONDUIT

Allied Tube & Conduit
Calconduit

Table of Contents

↓ [Click below to view product section](#)

[E-Z Pull® EMT](#)
[True Color™ EMT](#)



EMT Conduit

E-Z Pull® EMT

Click brand for more product info ↓
[Allied Tube & Conduit](#)
[Calconduit](#)



Features:

- Manufactured from high grade mild strip steel for exceptional durability and long-lasting life
- Hot galvanized steel using patented inline Flo-Coat® process for long lasting exterior protection
- E-Z Pull® interior coating provides a smooth surface for faster wire pulling
- Excellent mechanical protection for conductors
- Ductility for faster and easier bending
- Very effective in reducing effects of EMI

Certifications & Compliances:

- Allied UL certified to Safety Standard 797
- Manufactured in accordance with ANSI C80.3
- Columbia-MBF CSA certified to Standard CSA C22.2 No. 83.1
- Listed in category FJMX
- Master bundles conform to NEMA Standard RN 2
- Recognized as an equipment grounding conductor by NEC Section 250-118 and by CEC Section 10



10' Lengths

Part Number	Trade Size		Outside Diameter*		Nominal Wall Thickness		Approximate Weight Per 100 ft (30.5m)		Galvanized Master Bundle Quantity	
	(in)	(mm)	(in)	(mm)	(in)	(mm)	(lb)	(kg)	(ft)	(m)
898302	½	16	0.706	17.93	0.042	1.07	30	13.6	7000	2135
898303	¾	21	0.922	23.42	0.049	1.24	46	20.9	5000	1525
898304	1	27	1.163	29.54	0.057	1.45	67	30.4	3000	915
101576	1¼	35	1.51	38.35	0.065	1.65	101	45.8	2000	610
101584	1½	41	1.74	44.2	0.065	1.65	116	52.6	1500	457.5
101592	2	53	2.197	55.8	0.065	1.65	148	67.1	1200	366
101600	2½	63	2.875	73.03	0.072	1.83	216	98	610	186.1
101618	3	78	3.5	88.9	0.072	1.83	263	119.3	510	155.6
101782	3½	91	4	101.6	0.083	2.11	349	158.3	370	112.9
101790	4	103	4.5	114.3	0.083	2.11	393	178.3	300	91.5

* Outside diameter tolerances:

+/- .005 (in) (.13mm) for trade sizes 1/2" (16mm) through 2" (53mm)

+/- .010 (in) (.25mm) for trade sizes 2 1/2" (63mm)

+/- .015 (in) (.38mm) for trade size 3" (78mm)

+/- .020 (in) (.51mm) for trade sizes 3 1/2" (91mm) and 4" (103mm)

NOTE: Length = 10 (ft) (3.05m) with a tolerance of +/- .25 (in) (6.35 mm)

EMT Conduit

E-Z Pull® EMT

Click brand for more product info ↓
[Allied Tube & Conduit](#)
[Calconduit](#)



20' Lengths

Part Number	Trade Size		Outside Diameter*		Nominal Wall Thickness		Approximate Weight Per 100 ft (30.5m)		Galvanized Master Bundle Quantity	
	(in)	(mm)	(in)	(mm)	(in)	(mm)	(lb)	(kg)	(ft)	(m)
192827	1¼	35	1.51	38.35	0.065	1.65	101	45.8	1220	371.85
192828	1½	41	1.74	44.2	0.065	1.65	116	52.6	740	225.55
192829	2	53	2.197	55.8	0.065	1.65	148	67.1	740	225.55
192830	2½	63	2.875	73.03	0.072	1.83	216	98	380	115.82
192831	3	78	3.5	88.9	0.072	1.83	263	119.3	380	115.82
192832	3½	91	4	101.6	0.083	2.11	349	158.3	380	115.82
192833	4	103	4.5	114.3	0.083	2.11	393	178.3	200	60.96

* Outside diameter tolerances:
 +/- .005 (in) (.13mm) for trade sizes 1/2" (16mm) through 2" (53mm)
 +/- .010 (in) (.25mm) for trade sizes 2 1/2" (63mm)
 +/- .015 (in) (.38mm) for trade size 3" (78mm)
 +/- .020 (in) (.51mm) for trade sizes 3 1/2" (91mm) and 4" (103mm)
 NOTE: Length = 20(ft) (6.1m) with a tolerance of +/- .25 (in) (6.35 mm)

EMT Conduit

True Color™ EMT

Click brand for more product info ↓
[Allied Tube & Conduit](#)



Features:

- Manufactured from high grade mild strip steel for exceptional durability and long-lasting life
- Hot galvanized steel using patented inline Flo-Coat® process for long lasting exterior protection
- E-Z Pull® interior coating provides a smooth raceway for fast, easier wire-pulling
- Excellent mechanical protection for conductors
- Ductility for faster and easier bending
- Optimal EMI shielding characteristics
- Available in 8 vibrant colors to provide instant identification of multiple circuit systems, without need to apply spray paints, powder coats or tapes

Certifications & Compliances:

- Listed to UL Safety Standard 797
- Manufactured in accordance with ANSI C80.3
- Listed in category FJMX
- Master bundles conform to NEMA Standard RN 2
- Recognized as an equipment grounding conductor by NEC Section 250-118

True Color™ Applications



Black

- Blends In Dark Colored Areas
- Architecture



White

- Blends In Light Colored Areas
- Architecture



Green

- Hospital and Healthcare Areas
- Nurse Call Stations



Purple

- Specialty Wiring Systems
- Security Systems



Fire Alarm

- Emergency Circuits
- Fire Alarm
- Security Systems



Blue

- Low Voltage Wiring
- Data Com / Video
- Network Security



Yellow

- High Voltage Wiring
- Caution Areas
- Special Equipment



Orange

- Construction / Research Areas
- Fiber-Optic Systems
- Auto Repair / Maintenance

EMT Conduit

True Color™ EMT

Click brand for more product info
[Allied Tube & Conduit](#)



Conduit Dimensions

Trade Size		Outside Diameter*		Nominal Wall Thickness		Approx Weight Per 100 Ft (30.5M)		True Color™ Bundle Quantity		Primary Bundle Quantity	
(in)	(mm)	(in)	(mm)	(in)	(mm)	(lb)	(kg)	(ft)	(m)	(ft)	(m)
1/2	16	0.706	17.93	0.042	1.07	30	13.6	2500	762.0	100	30.5
3/4	21	0.922	23.42	0.049	1.24	46	20.9	2000	609.6	100	30.5
1	27	1.163	29.54	0.057	1.45	67	30.4	1000	304.8	100	30.5
1 1/4	35	1.510	38.35	0.065	1.65	101	45.8	500	152.4	50	15.2
1 1/2	41	1.740	44.20	0.065	1.65	116	52.6	500	152.4	50	15.2
2	53	2.197	55.80	0.065	1.65	148	67.1	610	185.9	-	-
2 1/2	63	2.875	73.03	0.072	1.83	216	98.0	370	112.7	-	-
3	78	3.500	88.90	0.072	1.83	263	119.3	200	61.0	-	-
3 1/2	91	4.000	101.60	0.083	2.11	349	158.3	100	30.5	-	-
4	103	4.500	114.30	0.083	2.11	393	178.3	100	30.5	-	-

* +/- 0.005 (in) (.13 mm) for trade sizes 1/2" to 2"
 +/- 0.010 (in) (.25 mm) for trade sizes 2 1/2"
 +/- 0.015 (in) (.38 mm) for trade sizes 3"
 +/- 0.020 (in) (.51 mm) for trade sizes 3 1/2" & 4"
 Note: Length = 10 (ft) (3.05m) +/- .25 (in) (6.35mm)



True Color™ Part Numbers

Trade Size		Part Number							
(in)	(mm)	RED	ORANGE	YELLOW	GREEN	BLUE	PURPLE	WHITE	BLACK
1/2	16	—	191102	—	—	191132	—	—	—
3/4	21	191093	191103	191113	191123	191133	191163	191153	191143
1	27	191094	191104	191114	191124	191134	191164	191154	191144
2	53	191097	—	—	—	—	—	—	—



FLEXIBLE METAL CONDUIT (FMC)

AFC Cable Systems
Kaf-Tech

Table of Contents

↓ [Click below to view product section](#)

[Extra Flexible Conduit](#)
[Reduced Wall Aluminum Flexible Metal Conduit](#)
[Reduced Wall Flexible Steel Conduit](#)



Flexible Metal Conduit (FMC)

[Click brand for more product info](#) ↓

[AFC Cable Systems](#)
[Kaf-Tech](#)

Extra Flexible Conduit



Features:

- Non-UL Extra Flexible Steel Conduit
- High grade galvanized low carbon steel
- Interlocking design
- Corrosion resistant

Applications:

- Flexible metal raceway for specific applications where UL and other agency approvals are not required
- Motor leads

Part Number	Trade Size	Trade Size	Coil Length	Reel Length	Approx. Weight per 100 Ft	Internal Diameter	External Diameter	Bend Radius
	(in)	(mm)	(ft)	(in)	(lb)	min/max (in)	min/max (in)	(in)
5203-30-00	½	16	100	—	16	0.625/0.645	0.860/0.920	3
5204-30-00	¾	21	100	—	21	0.812/0.835	1.045/1.105	4

All dimensions are for informational purposes only *Tolerances +/- 5%

Flexible Metal Conduit (FMC)

Click brand for more product info ↓

Reduced Wall Aluminum Flexible Metal Conduit

[AFC Cable Systems](#)
[Kaf-Tech](#)



Features:

- Lightweight Reduced Wall Aluminum Flexible Conduit
- Premium aluminum alloy
- Interlocking design

Certifications & Compliances:

- UL 1, UL 1479, File Reference E11831, CSA File Number 15035, CSA C22.2 No. 56 (trade size 3/8 only)
- Federal Specification WW-C-566C, (now superseded by UL 1)
- NEC® 250.118(5), 300.22(C), 348, 430.223, 501.10(B)(2), 645.5
- Cable Tray installations per NEC®
- Environmental Air-Handling space installation NEC® 300.22(C)
- UL Classified 1, 2 and 3-hour Through-Penetration Fire Systems UL File R14141

Applications:

- Flexible metal raceway for electrical power, control and communication cables
- Motor leads
- Listed assemblies
- Listed wire fixtures
- Manufactured wiring systems



Part Number	Trade Size	Trade Size	Coil Length	Reel Length	Approx. Weight per 100 Ft	Internal Diameter	External Diameter	Bend Radius
	(in)	(mm)				(ft)	(in)	
5601-30-00*	3/8	12	100	—	6	0.375 / 0.393	0.560 / 0.610	2
5602-30-00	1/2	16	100	—	10	0.625 / 0.645	0.860 / 0.920	3
5602-45-00	1/2	16	—	500	10	0.625 / 0.645	0.860 / 0.920	3
5602-60-00	1/2	16	—	1000	10	0.620 / 0.645	0.860 / 0.920	3
5603-24-00	3/4	21	50	—	12	0.812 / 0.835	1.045 / 1.105	4
5603-30-00	3/4	21	100	—	12	0.812 / 0.835	1.045 / 1.105	4
5603-45-00	3/4	21	—	500	12	0.812 / 0.835	1.045 / 1.105	4
5603-60-00	3/4	21	—	1000	12	0.812 / 0.835	1.045 / 1.105	4
5604-24-00	1	27	50	—	18	1.000 / 1.040	1.300 / 1.380	5
5604-80-00	1	27	—	300	18	1.000 / 1.040	1.300 / 1.380	5
5605-24-00	1 1/4	35	50	—	22	1.250 / 1.300	1.550 / 1.630	6.25
5605-40-00	1 1/4	35	—	200	22	1.250 / 1.300	1.550 / 1.630	6.25
5606-22-00	1 1/2	41	25	—	26	1.500 / 1.575	1.850 / 1.950	7.5
5606-35-00	1 1/2	41	—	150	26	1.500 / 1.575	1.850 / 1.950	7.5
5607-22-00	2	53	25	—	35	2.000 / 2.080	2.350 / 2.450	10
5607-30-00	2	53	—	100	35	2.000 / 2.080	2.350 / 2.450	10
5607-35-00	2	53	—	150	35	2.000 / 2.080	2.350 / 2.450	10
5608-22-00	2 1/2	63	25	—	57	2.500 / —	2.860 / 3.060	12.5

Table continued on next page

Flexible Metal Conduit (FMC)

Reduced Wall Aluminum Flexible Metal Conduit

[Click brand for more product info](#) ↓

[AFC Cable Systems](#)
[Kaf-Tech](#)



Part Number	Trade Size	Trade Size	Coil Length	Reel Length	Approx. Weight per 100 Ft	Internal Diameter	External Diameter	Bend Radius
	(in)	(mm)	(ft)	(in)	(lb)	min/max (in)	min/max (in)	(in)
5609-22-00	3	78	25	—	68	3.000 /—	3.360 /3.560	15
5609-30-00	3	78	—	100	68	3.000 /—	3.360 /3.560	15
5610-22-00	3½	91	25	—	80	3.500 /—	3.860 /4.060	17.5
5611-22-00	4	103	25	—	91	4.000 /—	4.360 /4.560	20

All dimensions are for informational purposes only *Tolerances +/- 5%

Flexible Metal Conduit (FMC)

[Click brand for more product info](#) ↓

Reduced Wall Flexible Steel Conduit

[AFC Cable Systems](#)
[Kaf-Tech](#)



Features:

- Reduced Wall Flexible Steel Conduit
- High grade hot dipped zinc galvanized low carbon steel
- Interlocking design
- Corrosion resistant

Applications:

- Flexible metal raceway for electrical power, control and communication cables
- Motor leads
- Listed assemblies
- Listed wire fixtures
- Manufactured wiring systems

Certifications & Compliances:

- UL 1, UL 1479, File Reference E11831, CSA File Number 15035, CSA C22.2 No. 56 (trade size 3/8 only)
- Federal Specification WW-C-566C, (now superseded by UL 1)
- NEC® 250.118(5), 300.22(C), 348, 430.223, 501.10(B)(2), 645.5
- Cable Tray installations per NEC®
- Environmental Air-Handling space installation NEC® 300.22(C)
- UL Classified 1, 2 and 3-hour Through-Penetration Fire Systems UL File R14141



Part Number	Trade Size	Trade Size	Coil Length	Reel Length	Approx. Weight per 100 Ft	Internal Diameter	External Diameter	Bend Radius
	(in)	(mm)						
5501-30-00	3/8	12	100	—	17	0.375/0.393	0.560/0.610	2
5501-42-00	3/8	12	250	—	17	0.375/0.393	0.560/0.610	2
5501-60-00	3/8	12	—	1000	17	0.375/0.393	0.560/0.610	2
5502-30-00	1/2	16	100	—	27	0.625/0.645	0.860/0.920	3
5502-45-00	1/2	16	—	500	27	0.625/0.645	0.860/0.920	3
5502-60-00	1/2	16	—	1000	27	0.625/0.645	0.860/0.920	3
5503-30-00	3/4	21	100	—	35	0.812/0.835	1.045/1.105	4
5503-45-00	3/4	21	—	500	35	0.812/0.835	1.045/1.105	4
5503-60-00	3/4	21	—	1000	35	0.812/0.835	1.045/1.105	4
5504-24-00	1	27	50	—	51	1.000/1.040	1.300/1.380	
5504-80-00	1	27	—	300	51	1.000/1.040	1.300/1.380	
5505-24-00	1 1/4	35	50	—	63	1.250/1.300	1.550/1.630	6.2
5505-40-00	1 1/4	35	—	200	63	1.250/1.300	1.550/1.630	6.2
5506-22-00	1 1/2	41	25	—	76	1.500/1.575	1.850/1.950	7.5
5506-80-00	1 1/2	41	—	300	76	1.500/1.575	1.850/1.950	7.5
5507-22-00	2	53	25	—	100	2.000/2.080	2.350/2.450	10

Table continued on next page

Flexible Metal Conduit (FMC)

Reduced Wall Flexible Steel Conduit

Click brand for more product info ↓

[AFC Cable Systems](#)
[Kaf-Tech](#)



Part Number	Trade Size	Trade Size	Coil Length	Reel Length	Approx. Weight per 100 Ft	Internal Diameter	External Diameter	Bend Radius
	(in)	(mm)	(ft)	(in)	(lb)	min/max (in)	min/max (in)	(in)
5507-35-00	2	53	—	150	100	2.000 / 2.080	2.350 / 2.450	10
5508-22-00	2½	63	25	—	165	2.500 / —	2.860 / 3.060	12.5
5509-22-00	3	78	25	—	197	3.000 / —	3.360 / 3.560	15
5509-30-00	3	78	—	100	197	3.000 / —	3.360 / 3.560	15
5510-22-00	3½	91	25	—	230	3.500 / —	3.860 / 4.060	17.5
5510-30-00	3½	91	—	100	230	3.500 / —	3.860 / 4.060	17.5
5511-22-00	4	103	25	—	263	4.000 / —	4.360 / 4.560	20
5511-30-00	4	103	—	100	263	4.000 / —	4.360 / 4.560	20

All dimensions are for informational purposes only *Tolerances +/- 5%



GALVANIZED RIGID STEEL CONDUIT (GRC)

Allied Tube & Conduit
Calconduit

Table of Contents

↓ [Click below to view product section](#)

[Galvanized Rigid Conduit \(GRC\)](#)



Galvanized Rigid Steel Conduit (GRC)

Galvanized Rigid Conduit (GRC)

Click brand for more product info ↓
[Allied Tube & Conduit](#)
[Calconduit](#)



Features:

- Manufactured from mild steel
- Hot-dip galvanized for excellent corrosion resistance
- High strength ductile steel for long life and easy bending
- Smooth, continuous raceways for fast wire pulling
- Kwik-Release End Cap to protect threads
- True Color™ GRC special orders available
- Very effective in reducing the effects of EMI
- Threaded on both ends, with a coupling applied to one end and a thread protector to the other
- Suitable for direct burial applications

- Covered by article 344 of the NEC
- Class I Division 1 hazardous locations
- Recognized as an equipment grounding conductor in Section 250.118 of the NEC and CEC Section 10
- NEMA RN 3 Standard

Applications:

- Encased power distribution circuits
- Shielding computers and other sensitive electronic equipment from the effects of electromagnetic interference

Certifications & Compliances:

- Listed to Safety Standard UL 6
- Manufactured in accordance with ANSI C80.1



Part Number	Trade Size	Trade Size	Outside Diameter*		Nominal Wall Thickness**		Approx Weight Per 100 ft (30.5M)		Master Bundle Quantity	
	(in)	(mm)	(in)	(mm)	(in)	(mm)	(lb)	(kg)	(ft)	(m)
278879	½	16	0.840	21.34	0.104	2.64	82	37.2	2500	762.5
278887	¾	21	1.050	26.67	0.107	2.72	109	49.4	2000	610
278895	1	27	1.315	33.40	0.126	3.20	161	73.0	1250	381.3
278903	1¼	35	1.660	42.16	0.133	3.38	218	98.9	900	274.5
278911	1½	41	1.900	48.26	0.138	3.51	263	119.3	800	244
278929	2	53	2.375	60.33	0.146	3.71	350	158.8	600	183
278937	2½	63	2.875	73.03	0.193	4.90	559	253.6	370	112.9
278945	3	78	3.500	88.90	0.205	5.21	727	329.8	300	91.5
278952	3½	91	4.000	101.60	0.215	5.46	880	399.2	250	76.3
278960	4	103	4.500	114.30	0.225	5.72	1030	467.2	200	61
278978	5	129	5.563	141.30	0.245	6.22	1520	689.5	150	45.8
278986	6	155	6.625	168.28	0.266	6.76	1785	809.7	100	30.5

*Tolerances: trade size 1/2 to 1-1/2: ±0.015 (0.38mm); TRADE SIZE 2-6: ±1%

Length equals 10 ft. (3.05m) with a tolerance of +/- .25 In. (6.35mm)

** For information only. Not a requirement of the UL Standard.



INTERMEDIATE METAL CONDUIT (IMC)

Allied Tube & Conduit

Table of Contents

↓ [Click below to view product section](#)

[Intermediate Metal Conduit \(IMC\)](#)



Intermediate Metal Conduit (IMC)

[Click brand for more product info](#) ↓

Intermediate Metal Conduit (IMC)

[Allied Tube & Conduit](#)



Features:

- Manufactured from premium, work hardened steel
- Hot galvanized exterior using patented inline Flo-Coat process
- Increased corrosion resistance and protection against white rust
- Interior coating creates a smooth, continuous raceway for fast wire-pulling
- Combines electrical and mechanical performance with ductility
- Resistant to impact and easy to cut, bend and join for smooth, continuous raceways
- Weighs one-third less than rigid conduit
- Saves up to 30% in cost over rigid conduit
- Larger internal diameter than rigid conduit to allow for easier fishing and wire-pulling
- Provides excellent shielding from electromagnetic fields
- Color-coded end-cap thread protectors keep the threads clean and sharp, and also help to provide instant trade size recognition
- True Color™ IMC special orders available

Certifications & Compliances:

- Listed to Safety Standard UL 1242
- Manufactured in accordance with ANSI C80.6
- Covered by article 342 of the NEC
- Recognized as an equipment grounding conductor in Section 250 of the NEC
- Suitable for Class I, Division I hazardous locations

Applications:

- Electrical raceway systems
- Encased power distribution circuits
- Shielding computers and other sensitive electronic equipment from the effects of electromagnetic interference

Intermediate Metal Conduit (IMC)

Click brand for more product info ↓

Intermediate Metal Conduit (IMC)

[Allied Tube & Conduit](#)



Part Number	Trade Size	Metric Designator	Average Outside Diameter*		Average Wall Thickness**		Approx Weight Per 100 Ft (30.5m)		Quantity In Master Bundle	
	(in)	(mm)	(in)	(mm)	(in)	(mm)	(lb)	(kg)	(ft)	(m)
358192	½	16	0.815	20.700	0.070	1.79	62	28.1	3500	1067.5
358184	¾	21	1.029	26.130	0.075	1.90	84	38.1	2500	762.5
358176	1	27	1.290	32.760	0.085	2.16	119	54	1700	518.5
358119	1¼	35	1.638	41.600	0.085	2.16	158	71.7	1350	411.8
358101	1½	41	1.883	47.820	0.090	2.29	194	88	1100	335.5
358168	2	53	2.360	59.940	0.095	2.41	256	116.1	800	244
358150	2½	63	2.857	72.560	0.140	3.56	441	200	370	112.9
358143	3	78	3.476	88.290	0.140	3.56	543	246.3	300	91.5
358069	3½	91	3.971	100.860	0.140	3.56	629	285.3	240	73.2
358051	4	103	4.466	113.430	0.140	3.56	700	317.5	240	73.2

*Outside diameter tolerances:

+/- .005 (in) (.13mm) for trade sizes 1/2" (16mm) through 1" (25mm)

+/- .0075 (in) (.19mm) for trade sizes 1-1/4" (36mm) through 2" (53mm)

+/- 0.10 (in) (.25mm) for trade sizes 2-1/2" (63mm) through 4" (103mm)

**Wall thickness tolerances:

+ 0.15 (in) (.38mm) and - .000 for trade sizes 1/2" (13mm) through 2" (53mm)

+ 0.20 (in) (.51mm) and - .000 for trade sizes 2-1/2" (63mm) through 4" (103mm)

Note: length = 10 (ft) (3.05m) with a tolerance of +/- .25 (in) (6.35mm)



LIQUIDTIGHT FLEXIBLE METAL CONDUIT

AFC Cable Systems
Kaf-Tech

Table of Contents

↓ [Click below to view product section](#)

Non-UL Extreme Temperature Liquidtight Flexible Metal Conduit
UL Computer Blue Liquidtight Flexible Metal Conduit - Type LFMC
Non-UL Liquidtight VF Flexible Steel Conduit
UL Liquidtight Flexible Steel Conduit - Type LFMC
UL and CSA Low Smoke Zero Halogen Cable - Type LSZH, LFMC



Liquidtight Flexible Metal Conduit

[Click brand for more product info](#) ↓

Non-UL Extreme Temperature Liquidtight Flexible Metal Conduit

[AFC Cable Systems](#)
[Kaf-Tech](#)



Features:

- Designed for use where operation at high temperature is required
- Temperature Rating: 150°C (302°F) dry - continuous use, 70°C oily/wet
- High quality thermoplastic rubber (TPR) jacket - Black
- Hot dipped zinc galvanized low carbon steel core
- Jacket is extruded directly over interlocked very flexible steel core
- Jacket material is halogen-free
- Oil and ozone resistant
- Superior flexibility (convolutions of the interlock shall be filled with a fibrous material designed to promote flexibility)
- Ability to withstand extremes in temperature
- Outer surface of the jacket shall be clearly marked with the applicable print legend
- Designed to be used for specific applications where UL or other agency approvals are not required
- Separate grounding conductor is required for all trade sizes

Certifications & Compliances:

- Meets ASTM@ D746 low temperature brittle point -60°/-76°F
- 720-Hour Xenon-Arc sunlight/weather resistance - ASTM D2565 and ASTM G155

Applications:

- For locations requiring mechanical protection for conductors
- Industrial applications
- Indoor or outdoor locations

Part Number	Trade Size	Trade Size	Coil Length	Reel Length	Approx. Weight/100 Ft	External Diameter Over Jacket Min/Max	Internal Diameter Min/Max	Bend Radius
	(in)	(mm)						
6802-30-00	½	16	100	—	23	0.820 /0.840	0.622 /0.642	3.25
6803-30-00	¾	21	100	—	29	1.030 /1.050	0.820 /0.840	4.25

Note: all dimensions and weights are subject to normal manufacturing tolerances. Not for grounding.

Liquidtight Flexible Metal Conduit

[Click brand for more product info](#) ↓

UL Computer Blue Liquidtight Flexible Metal Conduit – Type LFMC

[AFC Cable Systems](#)
[Kaf-Tech](#)



Features:

- UL bonded strip 3/8" – 1/4" for grounding
- UL Liquidtight all sizes
- Hot dipped zinc galvanized low carbon steel core
- Flame retardant polyvinyl chloride (PVC) jacket – Blue
- Sunlight resistant
- Temperature Rating: 80°C to -30°C dry, 60°C wet, 70°C oil-resistant
- Permanent circuit ground protection provided through continuous bonding strip built into conduit core in sizes 3/8" through 1/4"

Certifications & Compliances:

- UL 360, File Reference E26540
- CSA LL51593, CSA C22.2 Number 56
- NEC® 250.118(6), 350.60, 390.15, 501.10(B)(2), 502.10(A)(2), 503.10(A)(2), 511.7(A)(1), 620.21(A)(d), 645.5(D)(2), 680.21, 680.42, 695.6(E), 695.14(E)
- CEC Part I Clause 12-1300
- UL approved for use in direct burial applications including concrete and earth burial (Sizes 3/8" through 4")
- Separate grounding conductor required per NEC® 350.60 for trade sizes 1 1/2" and larger
- CEC requires grounding conductor for all trade sizes
- Surface of outer jacket must be clearly marked with legible print legend in compliance with UL 360 and CSA C22.2 No. 56



Part Number	Trade Size	Trade Size	Coil Length	Reel Length	Approx. Weight/100 Ft	External Diameter Over Conduit Min/Max	External Diameter Over Jacket Min/Max	Internal Diameter Min/Max	Bend Radius
	(in)	(mm)							
6402-45-00	1/2	16	—	500	31	0.732 / 0.765	0.820 / 0.840	0.622 / 0.642	3.25
6403-60-00	3/4	21	—	1000	49	0.930 / 0.960	1.030 / 1.050	0.820 / 0.840	4.25

Liquidtight Flexible Metal Conduit

[Click brand for more product info](#) ↓

[AFC Cable Systems](#)
[Kaf-Tech](#)

Non-UL Liquidtight VF Flexible Steel Conduit



Features:

- Liquidtight, flexible steel conduit, Type VF core, formed into interlocked steel conduit from a zinc coated galvanized low carbon steel strip
- Rugged PVC jacket extruded directly over interlocked flexible steel core
- Temperature Rating: 60°C to -20°C dry, 60°C wet, 60°C oil-resistant
- Flame retardant polyvinyl chloride (PVC) jacket – Grey
- Hot dipped zinc galvanized low carbon steel core
- Moisture resistant
- Oil resistant
- Sunlight resistant
- Very flexible (convolutions of the interlock shall be filled with a fibrous material designed to promote flexibility)
- Outer surface of the jacket shall be clearly marked with the applicable print legend

Certifications & Compliances:

- Non-UL

Applications:

- For locations requiring vibration and movement absorption
- For locations requiring mechanical and moisture protection for conductors

Liquidtight Flexible Metal Conduit

Non-UL Liquidtight VF Flexible Steel Conduit

Click brand for more product info ↓

[AFC Cable Systems](#)
[Kaf-Tech](#)

Part Number	Trade Size	Trade Size	Coil Length	Reel Length	Approx. Weight/100 Ft	External Diameter Over Conduit Min/Max	External Diameter Over Jacket Min/Max	Internal Diameter Min/Max	Bend Radius
	(in)	(mm)							
6101-30-00	3/8	12	100	—	22	0.594 / 0.614	0.690 / 0.710	0.484 / 0.504	2.00
6102-30-00	1/2	16	100	—	26	0.732 / 0.765	0.820 / 0.840	0.622 / 0.642	3.25
6102-45-00	1/2	16	—	500	26	0.732 / 0.765	0.820 / 0.840	0.622 / 0.642	3.25
6102-60-00	1/2	16	—	1000	26	0.732 / 0.765	0.820 / 0.840	0.622 / 0.642	3.25
6103-30-00	3/4	21	100	—	33	0.930 / 0.960	1.030 / 1.050	0.820 / 0.840	4.25
6103-45-00	3/4	21	—	500	33	0.930 / 0.960	1.030 / 1.050	0.820 / 0.840	4.25
6103-60-00	3/4	21	—	1000	33	0.930 / 0.960	1.030 / 1.050	0.820 / 0.840	4.25
6104-30-00	1	27	100	—	45	1.201 / 1.226	1.290 / 1.315	1.041 / 1.066	6.50
6104-41-00	1	27	—	400	45	1.201 / 1.226	1.290 / 1.315	1.041 / 1.066	6.50
6105-24-00	1 1/4	35	50	—	60	1.540 / 1.570	1.630 / 1.660	1.380 / 1.410	8.00
6105-40-00	1 1/4	35	—	200	60	1.540 / 1.570	1.630 / 1.660	1.380 / 1.410	8.00
6106-24-00	1 1/2	41	50	—	90	1.735 / 1.770	1.865 / 1.900	1.575 / 1.600	9.00
6106-35-00	1 1/2	41	—	150	90	1.735 / 1.770	1.865 / 1.900	1.575 / 1.600	9.00
6107-24-00	2	53	50	—	120	2.180 / 2.215	2.340 / 2.375	2.020 / 2.045	11.12
6107-30-00	2	53	—	100	120	2.180 / 2.215	2.340 / 2.375	2.020 / 2.045	11.12
6108-22-00	2 1/2	63	25	—	121	2.640 / 2.675	2.840 / 2.875	2.480 / 2.505	14.62
6109-22-00	3	78	25	—	145	3.295 / 3.335	3.460 / 3.500	3.070 / 3.100	17.5
6109-30-00	3	78	—	100	145	3.295 / 3.335	3.460 / 3.500	3.070 / 3.100	17.5
6120-22-00	3 1/2	91	25	—	200	3.720 / 3.789	3.960 / 4.000	3.500 / 3.540	20.0
6110-22-00	4	103	25	—	250	4.220 / 4.280	4.460 / 4.500	4.000 / 4.040	24.0

Liquidtight Flexible Metal Conduit

[Click brand for more product info](#) ↓

UL Liquidtight Flexible Steel Conduit - Type LFMC

[AFC Cable Systems](#)
[Kaf-Tech](#)



Features:

- UL bonded strip 3/8" – 1/4" for grounding
- UL Liquidtight all sizes
- Hot dipped zinc galvanized low carbon steel core
- Liquidtight Flexible Steel Conduit formed from zinc coated galvanized low carbon steel strip
- Flame retardant polyvinyl chloride (PVC) jacket - available in Grey, Black, Red, Orange, Yellow or Green
- Moisture resistant
- Oil resistant
- Sunlight resistant
- Rugged PVC jacket applied directly over the flexible metal conduit
- Temperature Rating: 80°C to -30°C dry, 60°C wet, 70°C oil-resistant
- Permanent circuit ground protection provided through continuous bonding strip built into conduit core in sizes 3/8" through 1/4"

Certifications & Compliances:

- UL 360, File Reference E26540
- CSA Certified File LL51593, CSA C22.2 Number 56
- NEC® 250.118(6), 350.60, 390.15, 501.10(B)(2), 502.10(A)(2), 503.10(A)(2), 511.7(A)(1), 620.21(A)(d), 645.5(D)(2), 680.21, 680.42, 695.6(E), 695.14(E)
- CEC Part I Clause 12-1300
- UL approved for use in direct burial applications including concrete and earth burial (Sizes 3/8" through 4")
- Conduit in sizes 1 1/2" and larger requires grounding conductor per NEC® 350.60
- Separate grounding conductor required by NEC® for trade sizes 1 1/2" and larger
- CEC requires grounding conductor for all trade sizes
- Surface of outer jacket must be clearly marked with legible print legend in compliance with UL 360 and CSA C22.2 No. 56

Applications:

- Wet Locations
- Direct burial in earth
- Concrete embedment
- Sunlight and weather exposure
- Hazardous location per NEC® 501
- Installed under raised computer room floors per NEC® 645.5(D)
- Service entrance wiring up to 6 feet per NEC® 230.43(15)
- Feeders and services for marina and boat yards

Liquidtight Flexible Metal Conduit

UL Liquidtight Flexible Steel Conduit - Type LFMC

Click brand for more product info ↓

[AFC Cable Systems](#)
[Kaf-Tech](#)



Part Number	Trade Size	Trade Size	Coil Length	Reel Length	Approx. Weight/100 Ft	External Diameter Over Conduit Min/Max	External Diameter Over Jacket Min/Max	Internal Diameter Min/Max	Bend Radius
	(in)	(mm)							
6202-30-00	½	16	100	—	31	0.732 / 0.765	0.820 / 0.840	0.622 / 0.642	3.25
6202-45-00	½	16	—	500	31	0.732 / 0.765	0.820 / 0.840	0.622 / 0.642	3.25
6202-60-00	½	16	—	1000	31	0.732 / 0.765	0.820 / 0.840	0.622 / 0.642	3.25
6203-30-00	¾	21	100	—	49	0.930 / 0.960	1.030 / 1.050	0.820 / 0.840	4.25
6203-45-00	¾	21	—	500	49	0.930 / 0.960	1.030 / 1.050	0.820 / 0.840	4.25
6203-60-00	¾	21	—	1000	49	0.930 / 0.960	1.030 / 1.050	0.820 / 0.840	4.25
6204-30-00	1	27	100	—	79	1.201 / 1.226	1.290 / 1.315	1.041 / 1.066	6.50
6204-41-00	1	27	—	400	79	1.201 / 1.226	1.290 / 1.315	1.041 / 1.066	6.50
6205-24-00	1¼	35	50	—	103	1.540 / 1.570	1.630 / 1.660	1.380 / 1.410	8.00
6205-40-00	1¼	35	—	200	103	1.540 / 1.570	1.630 / 1.660	1.380 / 1.410	8.00
6206-24-00	1½	41	50	—	109	1.735 / 1.770	1.865 / 1.900	1.575 / 1.600	9.00
6206-35-00	1½	41	—	150	109	1.735 / 1.770	1.865 / 1.900	1.575 / 1.600	9.00
6206-47-00	1½	41	—	750	109	1.735 / 1.770	1.865 / 1.900	1.575 / 1.600	9.00
6207-24-00	2	53	50	—	146	2.180 / 2.215	2.340 / 2.375	2.020 / 2.045	11.12
6207-30-00	2	53	—	100	146	2.180 / 2.215	2.340 / 2.375	2.020 / 2.045	11.12
6207-80-00	2	53	—	300	146	2.180 / 2.215	2.340 / 2.375	2.020 / 2.045	11.12
6208-22-00	2½	63	25	—	169	2.640 / 2.675	2.840 / 2.875	2.480 / 2.505	14.62
6208-79-00	2½	63	—	275	169	2.640 / 2.675	2.840 / 2.875	2.480 / 2.505	14.62
6209-22-00	3	78	25	—	195	3.295 / 3.335	3.460 / 3.500	3.070 / 3.100	17.50
6209-30-00	3	78	—	100	195	3.295 / 3.335	3.460 / 3.500	3.070 / 3.100	17.50
6209-56-00	3	78	—	175	195	3.295 / 3.335	3.460 / 3.500	3.070 / 3.100	17.50
6220-22-00	3½	91	25	—	230	3.720 / 3.789	3.960 / 4.000	3.500 / 3.540	20.00
6220-56-00	3½	91	—	175	230	3.720 / 3.789	3.960 / 4.000	3.500 / 3.540	20.00
6210-22-00	4	103	25	—	250	4.220 / 4.280	4.460 / 4.500	4.000 / 4.040	24.00
6210-30-00	4	103	—	100	250	4.220 / 4.280	4.460 / 4.500	4.000 / 4.040	24.00

Note: All dimensions and weights are subject to normal manufacturing tolerances.
 Review NEC® 350.60 and 250.118 (6) for grounding requirements, conduit sizes 1½" and larger.
 † Minimum order quantity required.
 * Non-stocking item

Liquidtight Flexible Metal Conduit

[Click brand for more product info](#) ↓

[AFC Cable Systems](#)
[Kaf-Tech](#)

UL and CSA Low Smoke Zero Halogen Cable - Type LSZH, LFMC



Features:

- Low smoke, zero halogen raceway
- Low toxicity generation characteristics
- UL copper bonding strip 3/8" - 1¼" for grounding
- Excellent temperature ratings
- Hot dipped zinc galvanized low carbon steel core
- Liquidtight Flexible Steel Conduit formed from zinc coated galvanized low carbon steel strip
- Flame retardant thermoplastic polyurethane (TPU) jacket - Black
- Low-smoke
- Moisture resistant
- Oil resistant
- Sunlight resistant
- Rugged TPU jacket applied directly over the flexible metal conduit
- Temperature Rating: 80°C (176°F) dry, 60°C (140°F) wet, 70°C (158°F) oil-resistant, low temperature of -40°C (-40°F)
- Permanent circuit ground protection provided through continuous bonding strip built into conduit core in sizes 3/8" through 1¼"

Certifications & Compliances:

- UL 360 File E26540
- NEC® 250.118(6), 350.60, 390.15, 501.10(B)(2), 502.10(A)(2), 503.10(A)(2), 511.7(A)(1), 620.21(A)(d), 645.5(D)(2), 680.21, 680.42, 695.6(E) and 695.14(E)
- Jacket complies with ASTM® E 162 Flame Spread Index
- Jacket complies with ASTM® E 662 Smoke Density Generation
- Jacket complies with Bombardier SMP-800C Toxic Gas Generation
- UL 94 Tests for Flammability of Plastic Materials for Parts
- UL does not list any manufacturers' Liquidtight conduit as low smoke zero halogen
- Separate grounding conductor required by NEC® for trade sizes 1½" and larger
- Surface of outer jacket must be clearly marked with legible print legend in compliance with UL 360

Applications:

- Wherever limiting toxic material of combustion is needed
- Direct burial and concrete embedment
- Bond wire for grounding in sizes 3/8" - 1¼" NEC® 250.118(6)
- Hazardous locations per NEC® 501

Liquidtight Flexible Metal Conduit

Click brand for more product info ↓

UL and CSA Low Smoke Zero Halogen Cable - Type LSZH, LFMC

[AFC Cable Systems](#)
[Kaf-Tech](#)



Part Number	Trade Size	Trade Size	Coil Length	Reel Length	Approx. Weight/100 Ft	External Diameter Over Conduit Min/Max	External Diameter Over Jacket Min/Max	Internal Diameter Min/Max	Bend Radius
	(in)	(mm)							
6702-30-00	½	16	100	—	31	0.732 /0.765	0.820 /0.840	0.622 /0.642	3.25
6704-30-00	1	27	100	—	78	1.201 /1.226	1.290 /1.315	1.041 /1.066	6.50
6705-24-00	1¼	35	50	—	102	1.540 /1.570	1.630 /1.660	1.380 /1.410	8.00

Note: All dimensions and weights are subject to normal manufacturing tolerances. Review NEC® 350.60 and 250.118(6) for grounding requirements.

Combustion and Flammability Properties

Property	Test	Results
Vertical Burn (Material)	UL 94	UL Listed: V-O Rating No FlaMing Drips
Vertical Burn (Conduit)	UL 360	UL Listed: Passed
Oxygen Index % (Material)	ASTM® D 2863	25%
Flame Spread Index	ASTM® E-162	Passed No FlaMing Drips
Smoke Generation (FlaMing)	ASTM® E662 (NFPA-258)	Ds=13 @ 1.5 Min Ds=57 @ 4.0 Min No FlaMing Drips
Smoke Generation (Non-flaMing)	ASTM® E662 (NFPA-258)	Ds=1 @ 1.5 Min Ds=8 @ 4.0 Min No FlaMing Drips
Toxic Gas Generation	Bombardier SMP-800C	Pass

Testing performed by independent test laboratory. Test results available upon request.



LIQUIDTIGHT FLEXIBLE NON-METALLIC CONDUIT

AFC Cable Systems
Kaf-Tech

Table of Contents

↓ [Click below to view product section](#)

[Flexible Non-Metallic Conduit Type LFNC-B](#)
[UL Orange Type LFNC-A](#)
[Ultraflex Liquidtight Flexible Conduit](#)



Liquidtight Flexible Non-Metallic Conduit

[Click brand for more product info](#) ↓

Flexible Non-Metallic Conduit Type LFNC-B

[AFC Cable Systems](#)
[Kaf-Tech](#)



Features:

- Rugged non-metallic polyvinyl chloride (PVC)
- Interior integral reinforced member within conduit wall
- Rigid PVC spiral core for strength
- Sunlight resistant
- Oil resistant
- Non-conductive raceway
- Available in long length reels in sizes 1/2" to 1"

Certifications & Compliances:

- UL Listed
- Integral Type B construction per NEC® 356.2(2)
- Meets all performance requirements contained in UL 1660
- A separate Grounding conductor is required by both the NEC and the CEC for all trade sizes
- Surface of outer jacket must be clearly marked with legible print legend in compliance with UL 1660

Applications:

- Hazardous locations where Flexible Connections are required per NEC 501.10(B)(2)(4), 502.10(A)(2)(3), 502.10(B)(1)(1), 502.10(B)(2), 503.10(A)(3)(3), 503.10(B), 504.20
- 3/8" through 2" rated for direct burial and poured concrete
- Industrial and commercial applications
- Indoor or outdoor locations
- Suitable for pool and spa use
- Air conditioning and HVAC units

Liquidtight Flexible Non-Metallic Conduit

Flexible Non-Metallic Conduit Type LFNC-B

Click brand for more
product info ↓

[AFC Cable Systems](#)
[Kaf-Tech](#)



Part Number	Trade Size	Trade Size	Coil Length	Reel Length	Approx. Weight/100 Ft	Internal Diameter Min/Max	External Diameter Min/Max	Bend Radius
	(in)	(mm)						
6001-30-00	3/8	12	100	—	12	0.484 / 0.504	0.690 / 0.710	2
6002-30-00	1/2	16	100	—	13	0.622 / 0.642	0.820 / 0.840	3.25
6002-45-00	1/2	16	—	500	13	0.622 / 0.642	0.820 / 0.840	3.25
6002-60-00	1/2	16	—	1000	13	0.622 / 0.642	0.820 / 0.840	3.25
6003-30-00	3/4	21	100	—	18	0.820 / 0.840	1.030 / 1.050	4.25
6003-45-00	3/4	21	—	500	18	0.820 / 0.840	1.030 / 1.050	4.25
6003-46-00	3/4	21	—	700	18	0.820 / 0.840	1.030 / 1.050	4.25
6003-60-00	3/4	21	—	1000	18	0.820 / 0.840	1.030 / 1.050	4.25
6004-30-00	1	27	100	—	27	1.041 / 1.066	1.290 / 1.315	6.5
6004-45-00	1	27	—	500	27	1.041 / 1.066	1.290 / 1.315	6.5
6005-24-00	1 1/4	35	50	—	35	1.380 / 1.410	1.630 / 1.660	8
6005-30-00	1 1/4	35	—	100	35	1.380 / 1.410	1.630 / 1.660	8
6005-42-00	1 1/4	35	—	250	35	1.380 / 1.410	1.630 / 1.660	8
6006-24-00	1 1/2	41	50	—	48	1.575 / 1.600	1.865 / 1.900	9
6006-35-00	1 1/2	41	—	150	48	1.575 / 1.600	1.865 / 1.900	9
6007-24-00	2	53	50	—	70	2.020 / 2.045	2.340 / 2.375	11.1
6007-30-00	2	53	—	100	70	2.020 / 2.045	2.340 / 2.375	11.1

Liquidtight Flexible Non-Metallic Conduit

Click brand for more product info ↓

UL Orange Type LFNC-A

[AFC Cable Systems](#)
[Kaf-Tech](#)



Features:

- Layered raceway of circular cross section with a smooth flexible polyvinyl chloride (PVC) inner layer with a reinforcing layer covered with a flexible PVC jacket
- Nylon reinforced braid between two layers of PVC for strength and flexibility
- Flame retardant compound
- Sunlight resistant
- Oil resistant
- Mild acid resistance
- Non-conductive raceway
- Temperature Rating: 80°C (176°F) dry, 60°C (140°F) wet, 60°C (140°F) oil-resistant
- Provides physical protection from abrasion of the conductors inside

Certifications & Compliances:

- UL 1660 E123464
- CSA C22.2 No. 227.2.1 File LL69271
- NEC® 356, 390.15, 501.10(B)(2), 502.10(A)(2), 503.10(A)(2), 511.7(A)(1), 620.21, 645.5(D)(2), 680.21, 680.23, 680.25, and 680.42
- Separate grounding conductor required by both NEC and CEC for all trade sizes
- Outer surface of the conduit shall be clearly marked with the applicable print legend in compliance with harmonized UL 1660/CSA C22.2 No. 227.2.1

Applications:

- Constant flexing and motion applications
- Signage and outdoor lighting over 1000 volts per 600.32 (A) (1)
- Hazardous locations per NEC® 501
- Industrial and commercial applications
- Indoor or outdoor locations



Part Number	Trade Size	Trade Size	Coil Length	Reel Length	Approx. Weight/100 Ft	Wall Thickness	Internal Diameter Min/Max	External Diameter Min/Max	Bend Radius
	(in)	(mm)				(in)			
6502-30-00	½	16	100	—	16	0.035	0.610/0.650	0.900/0.940	3.25
6503-30-00	¾	21	100	—	18	0.035	0.805/0.845	1.140/1.180	4.25
6504-30-00	1	27	100	—	29	0.035	1.020/1.065	1.400/1.450	6.50
6505-24-00	1 ¼	35	50	—	40	0.040	1.360/1.405	1.790/1.835	8.00

Note: All dimensions and weights are subject to normal manufacturing tolerances.

Liquidtight Flexible Non-Metallic Conduit

[Click brand for more product info](#) ↓

Ultraflex Liquidtight Flexible Conduit

[AFC Cable Systems](#)
[Kaf-Tech](#)



Features:

- Designed for use in wet, dry or oily locations as a flame resistant, non-metallic raceway for power, control and communications cables
- Corrugated, circular cross section with a smooth polyvinyl chloride (PVC) inner surface and an integral reinforcing member within the conduit wall
- Non-conductive raceway – Black
- Extra flexible non-metallic Mechanical Protection Tubing
- Temperature Rating: 60°C (140°F) dry, 60°C (140°F) wet and oily
- Product marking on outer carton
- Separate grounding conductor required for all trade sizes, where applicable

Certifications & Compliances:

- Listed to UL 1696 Standard for Non-Metallic Mechanical Protection Tubing
- Certified to CSA C22.2 No. 227.3
- Meets these performance requirements: Heat Aging Test, Cold Blend Test, Heat Shock Test, Crush Test, Impact Test, Oil Spray Test
- Recognized component Liquidtight Mechanical Protection
- Tubing under UL File Number E79977

Applications:

- Recognized component for use in protection of insulated wire in assemblies or consoles of electrical apparatus (use to be determined by UL)
- Non-UL Liquidtight raceway
- Routing of internal wiring between electrical components of electrical equipment



Part Number	Trade Size	Trade Size	Coil Length	Reel Length	Approx. Weight/100 Ft	Internal Diameter Min/Max	External Diameter Min/Max	Bend Radius
	(in)	(mm)						
160-012	3/8	12	100	—	5	0.484 / 0.504	0.695 / 0.705	0.49
160-016	1/2	16	100	—	8	0.622 / 0.642	0.825 / 0.835	0.63
160-021	3/4	21	100	—	11	0.820 / 0.840	1.035 / 1.045	0.83
160-026	1	27	100	—	16	1.041 / 1.066	1.297 / 1.308	1.1
160-035	1 1/4	35	100	—	21	1.380 / 1.410	1.640 / 1.650	1.4
160-051	2	53	100	—	33	2.020 / 2.045	2.352 / 2.363	2.04

Note: All dimensions and weights are subject to normal manufacturing tolerances.



PVC CONDUIT

Allied Tube & Conduit
Heritage Plastics
Queen City Plastics

Table of Contents

↓ [Click below to view product section](#)

[Introduction](#)

[Schedule 40 Rigid PVC Conduit](#)

[Schedule 40 Rigid PVC Conduit - Cellular Core Cor-Tek](#)

[Schedule 80 Rigid PVC Conduit](#)



PVC Conduit

We offer a complete line of rigid PVC conduit, utility duct, and fittings which have proven durable and effective for years of maintenance free performance in underground, encased and exposed applications.

What are typical applications?

- Residential, Commercial and Industrial
- Transportation and Highway
- Airports and Marinas
- Cable, Data and Communication Lines
- Utilities

What are advantages of PVC?

- Corrosion Resistant
- Long Life
- Impact Resistant
- Labor Savings
- Lightweight
- Non Magnetic
- Self Extinguishing
- Non Galvanic

What determines the need for Schedule 80 conduit as opposed to Schedule 40?

In alignment with NEMA TC-2 and NEC, Section 352.10 (F), Schedule 40 and 80 can both be used in standard underground and above ground applications. Schedule 80 is designed for heavy duty applications above ground, where there are areas of potential physical damage.

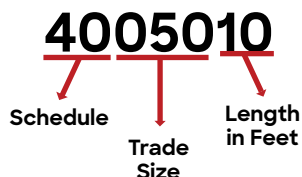
Are Schedule 80 and 40 electrical conduit and fabricated fittings suited for direct sunlight?

Schedule 40 and 80 conduit and fabricated fittings are “Sunlight Resistant” in accordance with UL 651. Refer to the Atkore Sunlight Exposure Technical Bulletin on the website for additional information.

Part Number Guide

Rigid PVC Pipe

Schedule 40 ½-inch 10' Conduit



PVC Conduit

Schedule 40 Rigid PVC Conduit

Click brand for more product info ↓

[Allied Tube & Conduit](#)
[Heritage Plastics](#)
[Queen City Plastics](#)



Features:

- Smooth raceway for pulling wires and cables
- Superior corrosion resistance
- Excellent longevity

Certifications & Compliances:

- Conforms to UL 651 and NEMA TC 2
- Sunlight resistant per UL 651
- Rated for use with 90 degree C wiring

Applications:

- Electrical for use in Residential, Commercial, Industrial and Power Utility
- Communications and Fiber Optics
- Underground, exposed and encased installations



Part Number		Trade Size	Average OD	Min Wall Thickness	Crate Quantity	
10 Foot	20 Foot				10 Foot	20 Foot
			(in)	(in)	(ft)	(ft)
4005010	—	½	0.840	0.109	6,000	12,000
4007510	4007520	¾	1.050	0.113	4,400	8,800
4010010	4010020	1	1.315	0.133	3,600	7,200
4012510	4012520	1¼	1.660	0.140	3,300	6,600
4015010	4015020	1½	1.900	0.145	2,250	4,500
4020010	4020020	2	2.375	0.154	1,400	2,800
4025010	4025020	2½	2.875	0.203	930	1,860
4030010	4030020	3	3.500	0.216	880	1,760
4035010	—	3½	4.000	0.226	630	1,260
4040010	4040020	4	4.500	0.237	570	1,140
4050010	4050020	5	5.563	0.258	380	760
4060010	4060020	6	6.625	0.280	260	520
4080010	—	8	8.625	0.322	140	280

*8 inch products are not included in UL 651 and are therefore not certified by ETL
 Product availability varies by region and minimum run quantities may apply

PVC Conduit

[Click brand for more product info](#) ↓

Schedule 40 Rigid PVC Conduit Cellular Core Cor-Tek

[Allied Tube & Conduit](#)
[Heritage Plastics](#)



Features:

- Smooth raceway for pulling wires and cables
- Superior corrosion resistance
- Excellent longevity
- Significant weight advantages

Certifications & Compliances:

- Conforms to UL 651 and NEMA TC 2
- Sunlight resistant per UL 651
- Rated for use with 90 degree C wiring

Applications:

- Electrical for use in Residential, Commercial, Industrial and Power Utility
- Communications and Fiber Optics
- Underground, exposed and encased installations



Part Number		Trade Size	Average OD (in)	Min Wall Thickness (in)	Crate Quantity	
10 Foot	20 Foot				10 Foot (ft)	20 Foot (ft)
4030010COR	—	3	3.500	0.216	880	1,760
4040010COR	4040020COR	4	4.500	0.237	570	1,140
4050010COR	—	5	5.563	0.258	380	760
4060010COR	4060020COR	6	6.625	0.280	260	520

PVC Conduit

Schedule 80 Rigid PVC Conduit

[Click brand for more product info](#) ↓

[Allied Tube & Conduit](#)
[Heritage Plastics](#)
[Queen City Plastics](#)



Features:

- Smooth raceway for pulling wires and cables
- Superior corrosion resistance
- Excellent longevity

Certifications & Compliances:

- Conforms to UL 651 and NEMA TC 2
- Sunlight resistant per UL 651
- Rated for use with 90 degree C wiring

Applications:

- Electrical for use in Residential, Commercial, Industrial and Power Utility
- Communications and Fiber Optics
- Underground, exposed and encased installations



Part Number		Trade Size	Average OD	Min Wall Thickness	Crate Quantity	
10 Foot	20 Foot				10 Foot	20 Foot
			(in)	(in)	(ft)	(ft)
8005010	—	½	0.840	0.147	6,000	12,000
8007510	—	¾	1.050	0.154	4,400	8,800
8010010	—	1	1.315	0.179	3,600	7,200
8012510	—	1¼	1.660	0.191	3,300	6,600
8015010	—	1½	1.900	0.200	2,250	4,500
8020010	8020020	2	2.375	0.218	1,400	2,800
8025010	8025020	2½	2.875	0.276	930	1,860
8030010	8030020	3	3.500	0.300	880	1,760
8035010	—	3½	4.000	0.318	630	1,260
8040010	8040020	4	4.500	0.318	630	1,260
8050010	—	5	5.563	0.375	380	760
8060010	8060020	6	6.625	0.432	260	520

*8 inch products are not included in UL 651 and are therefore not certified by ETL
 Product availability varies by region and minimum run quantities may apply



PVC COATED CONDUIT

Allied Tube & Conduit
Calbond

Table of Contents

↓ [Click below to view product section](#)

[ETL-Verified PVC Coated Rigid Conduit](#)
[PVC Coated Aluminum Conduit](#)



PVC Coated Conduit

ETL-Verified PVC Coated Rigid Conduit

[Click brand for more product info](#) ↓

[Allied Tube & Conduit](#)
[Calbond](#)



Features:

- Exterior PVC coating thickness is a minimum 0.040"
- Interior urethane coating thickness is a minimum 0.002"
- Specialized corrosion resistant coating provided on threads
- Sizes available are ½" to 6"
- Color coded thread protectors
- Couplings shipped with conduit are packaged separately
- Hot Dipped Galvanized (HDG) conduit

Certifications & Compliances:

- UL listed with both the PVC coating as a primary protection and the Hot Dipped Galvanized (HDG) zinc coating as the primary protection per UL 6
- Restricted for use with threaded fittings only (threadless connector not permitted)
- UL/cUL listed, File Number DYJC E226472
- ETL PVC-001 adhesion performance test verified / Cert. of Conformance Number: 104646226CRT-002
- Exceeds NEMA RN1 and ANSI C80.1 Standards

Applications:

- Used in highly corrosive environments to protect electrical circuits under harsh conditions
- Coating is Intertek SEMKO ETL PVC-001 Verified for superior corrosion and mechanical protection
- Ground continuity is maintained throughout installation



Part Number	ETL Part Number	Trade Size		Wall Thickness	Outside Diameter with Coating	Inside Diameter	Weight Per 100 Ft	Ft Per Bundle
		(in)	(mm)	(in)	(in)	(in)	(lb)	(ft)
PV0510CT00	—	½	16	0.104	0.920	0.632	90	1000
PV0710CT00	PV0710CT00-E	¾	21	0.107	1.130	0.836	119	900
PV1010CT00	PV1010CT00-E	1	27	0.126	1.395	1.063	175	750
PV1210CT00	PV1210CT00-E	1¼	35	0.133	1.740	1.394	237	420
PV1510CT00	PV1510CT00-E	1½	41	0.138	1.980	1.642	281	380
PV2010CT00	PV2010CT00-E	2	53	0.146	2.455	2.083	376	300
PV2510CT00	—	2½	63	0.193	2.955	2.489	593	170
PV3010CT00	—	3	78	0.205	3.580	3.090	772	140
PV4010CT00	PV4010CT00-E	4	103	0.225	4.580	4.050	1089	110
PV5010CT00	—	5	129	0.245	5.643	5.073	1488	80

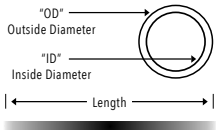
All dimensions are for informational purposes only *Tolerances +/- 5%

PVC Coated Conduit

[Click brand for more product info](#) ↓

[Allied Tube & Conduit](#)
[Calbond](#)

PVC Coated Aluminum Conduit



Features:

- Exterior PVC coating thickness is a minimum 0.040"
- Interior urethane coating thickness is a minimum 0.002"
- Specialized corrosion resistant coating provided on threads
- Sizes available are 1/2" to 6"
- Color coded thread protectors
- Couplings shipped with conduit are packaged separately
- Aluminum Rigid Conduit 6061 T1

Certifications & Compliances:

- UL listed with both the PVC coating as a primary protection and the zinc coating as the primary protection per UL 6A
- Restricted for use with threaded fittings only (threadless connector not permitted)
- UL/cUL listed in accordance to UL6A and ANSI C80.5
- UL/cUL listed rigid ferrous metal conduit with polyvinyl chloride coating verified for PVC adhesion performance
- Complies with NEMA RN1
- UL File Number E230584

Applications:

- Used for highly corrosive environments
- Coating will provide corrosion protection and mechanical protection
- Ground continuity is maintained throughout installation



Part Number	Trade Size		Wall Thickness	Outside Diameter with Coating	Inside Diameter	Weight Per 100 Ft	Ft Per Bundle
	(in)	(mm)					
PA0710CT00	¾	21	0.107	1.130	0.836	50	900
PA1010CT00	1	27	0.126	1.395	1.063	70	750
PA1210CT00	1 ¼	35	0.133	1.740	1.394	90	420
PA1510CT00	1 ½	41	0.138	1.980	1.624	110	380
PA2010CT00	2	53	0.146	2.455	2.083	140	300
PA3010CT00	3	78	0.205	3.580	3.090	280	140
PA4010CT00	4	103	0.225	4.580	4.050	370	110
PA5010CT00	5	129	0.245	5.643	5.073	490	80

All dimensions are for informational purposes only *Tolerances +/- 5%



ELBOWS & SWEEPS



Allied Tube & Conduit

Calconduit

FRE Composites

Heritage Plastics

Queen City Plastics

Elbows & Sweeps - Table of Contents

↓ [Click below to view product section](#)

- Aluminum Rigid Conduit (ARC) Elbows
- EMT Elbows & Sweeps
- Fiberglass Elbows & Sweeps
- Galvanized Rigid Conduit (GRC) Elbows & Sweeps
- PVC Elbows & Sweeps
- PVC Coated Elbows



ALUMINUM RIGID CONDUIT (ARC) ELBOWS

Allied Tube & Conduit
Calconduit

Table of Contents

↓ [Click below to view product section](#)

[Aluminum Rigid Conduit \(ARC\) 90° Elbows](#)
[Aluminum Rigid Conduit \(ARC\) 45° Elbows](#)

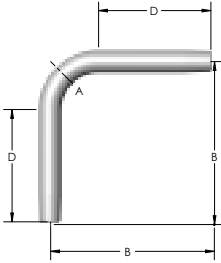


Aluminum Rigid Conduit (ARC) Elbows

Click brand for more product info ↓

[Allied Tube & Conduit](#)
[Calconduit](#)

Aluminum Rigid Conduit (ARC) 90° Elbows



Certifications & Compliances:

- Listed to Safety Standard UL 6A
- Manufactured in accordance with ANSI C80.5



Part Number	Trade Size		Radius (A) ¹		Offset (B)		Straight (D)		Approximate Weight Per 100 Pieces		Standard Package
	(in)	(mm)	(in)	(mm)	(in)	(mm)	(in)	(mm)	(lb)	(kg)	
732340	½	16	4.00	102	5.875	149	1.500	38	22	10.0	25
732341	¾	21	4.50	114	7.000	178	1.500	38	32	14.5	40
732342	1	27	5.75	146	8.750	222	1.875	48	62	28.1	25
732343	1¼	35	7.25	184	10.500	267	2.000	51	99	44.9	10
732344	1½	41	8.25	210	11.750	298	2.000	51	137	62.1	10
732345	2	53	9.50	241	14.500	268	2.000	51	228	103.4	5
732346	2½	63	10.50	267	17.250	438	3.000	76	427	193.7	80
732347	3	78	13.00	330	22.750	578	3.125	79	752	341.1	50
732348	3½	91	15.00	381	23.250	591	3.250	83	889	403.3	50
732349	4	103	16.00	406	23.375	594	3.375	86	1,049	475.8	36
732352	5	129	24.00	610	34.875	886	3.625	92	2,125	963.9	1
732350	6	155	30.00	762	45.500	1,156	3.750	95	3,738	1,695.6	1

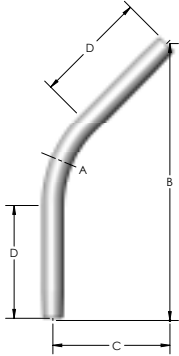
¹Tolerances: ½" to 1½" trade sizes +/- 0.015 (in) 2" to 6" trade sizes +/- 1%

Aluminum Rigid Conduit (ARC) Elbows

Click brand for more product info ↓

[Allied Tube & Conduit](#)
[Calconduit](#)

Aluminum Rigid Conduit (ARC) 45° Elbows



Certifications & Compliances:

- Listed to Safety Standard UL 6A
- Manufactured in accordance with ANSI C80.5



Part Number	Trade Size		Radius (A) ¹		Offset (B)		Offset (C)		Straight (D)		Approximate Weight Per 100 Pieces		Standard Package
	(in)	(mm)	(in)	(mm)	(in)	(mm)	(in)	(mm)	(in)	(mm)	(lb)	(kg)	
869624	4	103	16.00	406	26.250	667	10.875	276	3.375	86	777	352.4	36

¹Tolerances: 1/2" to 1 1/2" trade sizes +/- 0.015 (in) 2" to 6" trade sizes +/- 1%



EMT ELBOWS & SWEEPS

Allied Tube & Conduit
Calconduit

Table of Contents

↓ [Click below to view product section](#)

[EMT 90° Elbows](#)

[EMT 45° Elbows](#)

[EMT 30° Elbows](#)

[EMT 22 ½° Elbows](#)

[EMT 15° Elbows](#)

[EMT Large Radius 90° Elbows](#)

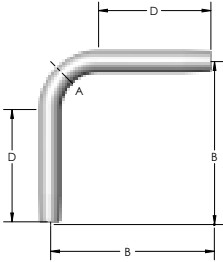


EMT Elbows & Sweeps

[Click brand for more product info](#) ↓

[Allied Tube & Conduit](#)
[Calconduit](#)

EMT 90° Elbows



Certifications & Compliances:

- Listed to Safety Standard UL 797
- Manufactured in accordance with ANSI C80.3



Part Number	Trade Size	Metric Designator	Radius (A) ¹		Offset (B) ²		Straight (D) ¹		Approximate Weight Per 100 Pieces		Standard Package
	(in)	(mm)	(in)	(mm)	(in)	(mm)	(in)	(mm)	(lb)	(kg)	
877008	½	16	4.00	102	5.875	149	1.500	38	25	11.3	25
877009	¾	21	4.50	114	7.000	178	1.500	38	46	20.9	50
877010	1	27	5.75	146	8.750	222	1.875	48	84	38.1	25
877011	1¼	35	7.25	184	10.125	257	2.000	51	144	65.3	20
877012	1½	41	8.25	210	11.750	298	2.000	51	193	87.5	15
877013	2	53	9.50	241	14.000	356	2.000	51	296	134.3	10
877014	2½	63	10.50	267	16.250	413	3.000	76	504	228.6	1
877015	3	78	13.00	330	18.750	476	3.125	79	701	318.0	1
877016	3½	91	15.00	381	21.250	540	3.250	83	1,047	474.9	1
877017	4	103	16.00	406	23.375	594	3.375	86	1,310	594.2	1

¹Minimum requirement as per UL Standard

²Dimensions and weights are approximate

Sizes 2½" (63 mm) and larger shipped in palletized cartons or bulk

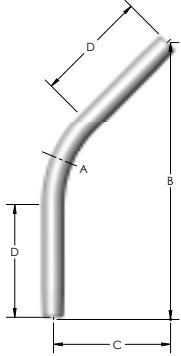
Also available in the following Degrees (60°, 45°, 30°, 22 ½°, 15° & 11¼°)

EMT Elbows & Sweeps

Click brand for more product info ↓

[Allied Tube & Conduit](#)
[Calconduit](#)

EMT 45° Elbows



Certifications & Compliances:

- Listed to Safety Standard UL 797
- Manufactured in accordance with ANSI C80.3



Part Number	Trade Size	Metric Designator	Radius (A) ¹		Offset (B) ²		Offset (C) ²		Straight (D) ¹		Approximate Weight Per 100 Pieces		Standard Package
	(in)	(mm)	(in)	(mm)	(in)	(mm)	(in)	(mm)	(in)	(mm)	(lb)	(kg)	
877020	1	27	5.75	146	8.750	222	3.625	92	1.875	48	56	25.4	25
877021	1¼	35	7.25	184	10.125	257	4.125	105	2.000	51	97	44.0	20
877022	1½	41	8.25	210	13.125	333	5.375	137	2.000	51	145	65.8	15
877023	2	53	9.50	241	13.125	333	5.500	140	2.000	51	185	83.9	10
877024	2½	63	10.50	267	17.500	445	7.250	184	3.000	76	360	163.3	1
877025	3	78	13.00	330	17.500	445	7.250	184	3.125	79	438	198.7	1
877026	3½	91	15.00	381	26.125	664	10.875	276	3.250	83	873	396.0	1
877027	4	103	16.00	406	26.250	667	10.875	276	3.375	86	983	445.9	1

¹Minimum requirement as per UL Standard

²Dimensions and weights are approximate

Sizes 2½" (63 mm) and larger shipped in palletized cartons or bulk

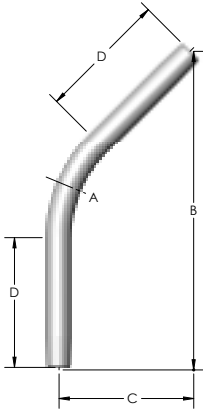
Also available in the following Degrees (90°, 60°, 30°, 22½°, 15° & 11¼°)

EMT Elbows & Sweeps

Click brand for more product info ↓

[Allied Tube & Conduit](#)

EMT 30° Elbows



Certifications & Compliances:

- Listed to Safety Standard UL 797
- Manufactured in accordance with ANSI C80.3

For Elbows less than 45°, note the changes to the dimensions for A, B, C and D in the following table



Part Number	Trade Size		Radius (A) ¹		Offset (B) ²		Offset (C) ²		Straight (D) ¹		Approximate Weight Per 100 Pieces		Standard Package
	(in)	(mm)	(in)	(mm)	(in)	(mm)	(in)	(mm)	(in)	(mm)	(lb)	(kg)	
877031	1 ¼	35	7.250	184	12.500	318	3.375	86	4.750	121	—	—	—
877032	1 ½	41	8.250	210	12.250	311	3.250	83	4.375	111	—	—	—
877033	2	53	9.500	241	16.125	410	4.250	108	6.125	156	—	—	—
877034	2 ½	63	10.500	267	18.750	476	5.000	127	7.250	184	—	—	—
877035	3	78	13.000	330	20.625	524	5.500	140	7.625	194	—	—	—
877036	3 ½	91	15.000	381	26.250	667	7.000	178	10.125	257	—	—	—
877037	4	103	16.000	406	26.250	667	7.000	178	9.750	248	—	—	—

¹Minimum requirement as per UL Standard

²Dimensions and weights are approximate

Sizes 2 ½" (63 mm) and larger shipped in palletized cartons or bulk

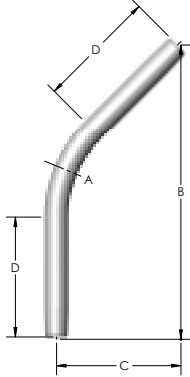
Also available in the following Degrees (90°, 60°, 30°, 22½°, 15° & 11¼°)

EMT Elbows & Sweeps

Click brand for more product info ↓

[Allied Tube & Conduit](#)

EMT 22½° Elbows



Certifications & Compliances:

- Listed to Safety Standard UL 797
- Manufactured in accordance with ANSI C80.3

For Elbows less than 45°, note the changes to the dimensions for A, B, C and D in the following table



Part Number	Trade Size		Radius (A) ¹		Offset (B) ²		Offset (C) ²		Straight (D) ¹		Approximate Weight Per 100 Pieces		Standard Package
	(in)	(mm)	(in)	(mm)	(in)	(mm)	(in)	(mm)	(in)	(mm)	(lb)	(kg)	
877041	1¼	35	7.25	184	12.75	324	2.500	64	5.250	133	97	44.0	20
877042	1½	41	8.25	210	12.50	318	2.500	64	4.875	124	145	65.8	15
877043	2	53	9.50	241	16.50	419	3.250	83	6.750	171	185	83.9	10
877044	2½	63	10.50	267	19.25	489	3.875	98	8.000	203	360	163.3	1
877045	3	78	13.00	330	21.25	540	4.500	114	8.500	216	438	198.7	1
877047	4	103	16.00	406	27.00	686	5.375	137	10.875	276	983	445.9	1

¹Minimum requirement as per UL Standard

²Dimensions and weights are approximate

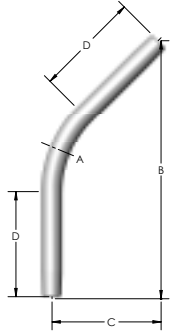
Sizes 2 ½" (63 mm) and larger shipped in palletized cartons or bulk
Also available in the following Degrees (90°, 60°, 30°, 22½°, 15° & 11¼°)

EMT Elbows & Sweeps

Click brand for more product info ↓

[Allied Tube & Conduit](#)

EMT 15° Elbows



Certifications & Compliances:

- Listed to Safety Standard UL 797
- Manufactured in accordance with ANSI C80.3

For Elbows less than 45°, note the changes to the dimensions for A, B, C and D in the following table



Part Number	Trade Size		Radius (A) ¹		Offset (B) ²		Offset (C) ²		Straight (D) ¹		Approximate Weight Per 100 Pieces		Standard Package
	(in)	(mm)	(in)	(mm)	(in)	(mm)	(in)	(mm)	(in)	(mm)	(lb)	(kg)	
877053	2	53	9.500	241	16.875	429	2.250	57	7.375	187	—	—	—
877055	3	78	13.000	330	21.625	549	2.875	73	9.250	235	—	—	—

¹Minimum requirement as per UL Standard

²Dimensions and weights are approximate

Sizes 2½" (63 mm) and larger shipped in palletized cartons or bulk

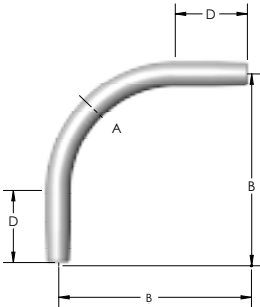
Also available in the following Degrees (90°, 60°, 30°, 22½°, 15° & 11¼°)

EMT Elbows & Sweeps

[Click brand for more product info](#)

[Allied Tube & Conduit Calconduit](#)

EMT Large Radius 90° Elbows



Certifications & Compliances:

- Listed to Safety Standard UL 797
- Manufactured in accordance with ANSI C80.3



Part Number	Trade Size	Metric Designator	Radius (A) ¹		Offset (B) ²		Straight (D) ¹		Approximate Weight Per 100 Pieces	
	(in)	(mm)	(in)	(mm)	(in)	(mm)	(in)	(mm)	(lb)	(kg)
877075	2	53	24	610	34.625	879	10.625	270	728	330.2
877077	2	53	36	914	46.750	1,187	10.750	273	962	436.4
877092	4	103	48	1,219	60.250	1,530	12.250	311	3,275	1,485.5

¹Minimum requirement as per UL Standard

²For information only, not a requirement as per UL Standard

Sizes 2½" (63 mm) and larger shipped in palletized cartons or bulk

Also available in the following Degrees (60°, 45°, 30°, 22½°, 15° & 11¼°)



FIBERGLASS ELBOWS & SWEEPS

FRE Composites

Table of Contents

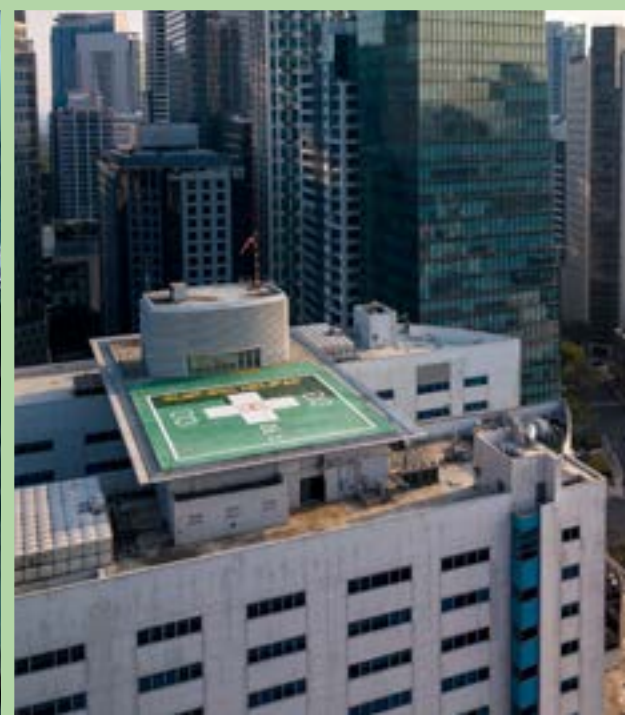
↓ [Click below to view product section](#)

- Fiberglass Elbows Product Codes
- Epoxy System
 - Introduction
 - IPS (Iron Pipe Size) Series
 - IPS SW 90° Elbow



Fiberglass Elbows Product Codes

Family	Product Name	Information with or without TriSeal®	Wall Thickness			
			Thin Wall TW	Standard Wall SW	Heavy Wall HW	Extra Heavy Wall XW
Epoxy System FRE® IPS	—	With TriSeal®	11-	10-	12-	—
Epoxy System FRE® ID	—	With TriSeal®	21-	20-	22-	—
Epoxy System FRE® IPS	HazGuard®	No TriSeal®	—	—	—	14-
Epoxy System FRE® ID	HazGuard®	No TriSeal®	—	—	—	24-
Phenolic System IPS	BreathSaver®	No TriSeal®	—	70-	—	74-
Phenolic System ID	BreathSaver®	No TriSeal®	—	80-	—	84-



FRE® Rigid Non-Metallic Fiberglass Fittings

Features:

- Complete line of fittings and adaptors
- Available in ¾" to 6" IPS and 2" to 6" ID
- Fast adhesive assembly between the Integral tapered bell and spigot end or use molded urethane push-fit TriSeal®
- Full interchangeability with existing metallic and non-metallic raceways
- Direct burial and encased burial applications

Benefits:

- Outstanding corrosion resistance
- Non-conductive
- Lightweight: 2 to 3 times lighter than Rigid Coated Steel
- Conduit is offered in 10' or 20' sections
- Chemical inertness, impervious to numerous chemicals
- Contains no chlorine, halogen or other toxic materials
- Will retain its shape after compression or impact
- Operation temperature -40°F to 230°F
- Low coefficient of friction in longer cable pulls
- Easy to install

Materials:

- Conduit, elbows and fittings shall be manufactured with continuous E or E-CR glass roving encapsulated in an internally steam cured, corrosion resistant epoxy resin system with UV inhibiting carbon black pigment dispersed homogeneously

Product Applications:

- The main application of RTRC is to protect and route electrical wiring

Environments Used in:

- Above ground and below ground applications

Relevant Certifications:

- ANSI/UL2420 (BG), ANSI/UL2515 (AG), CSA22.2 No. 2420 (BG), CSA22.2 No. 2515 (AG), NEMA TC 14



What differentiates this product?

RTRC conduit has been successfully used in applications requiring corrosion resistance and the strength of metallic systems. RTRC conduit is readily available in a variety of types, sizes and wall thicknesses to meet numerous design requirements. RTRC conduit is used in most industries requiring corrosion resistance pipe and a wide temperature range of operation.

Why should someone use it?

The installed cost of filament-wound conduit and fittings can be competitively priced against many metallic and thermoplastic piping systems required in difficult electrical piping applications. RTRC offers remarkable mechanical properties, which outperforms those from similar electrical conduit used in the industry.

What sets it apart from other products?

Among the different types of conduit available on the market, RTRC offers the best anti-corrosion properties, offering low installation costs and the possibility of adapting the product to specific requirements and applications.

Epoxy System • IPS Series Elbows

Click brand for more
product info ↓

[FRE Composites](#)

IPS SW 90° Elbow



Size		Part Number	ØB	R	T	ØB	R	T
(in)	(mm)		(in)			(mm)		
24" Radius								
2	53	10-2030R24-PVC	2.375	24	6	60.3	609.6	152.4
4	103	10-4030R24-PVC	4.500	24	6	114.3	609.6	152.4
36" Radius								
2	53	10-2030R36-PVC	2.375	36	6	60.3	914.4	152.4
4	103	10-4030R36-PVC	4.500	36	6	114.3	914.4	152.4
5	129	10-5030R36-PVC	5.563	36	6	141.3	914.4	152.4
48" Radius								
6	155	10-6030R48-PVC	6.625	48	6	168.3	1219.2	152.4
60" Radius								
6	155	10-6030R60-PVC	6.625	60	6	168.3	1524.0	152.4

* -PVC : PVC couplings on each end of the elbow



GALVANIZED RIGID CONDUIT (GRC) ELBOWS & SWEEPS

Allied Tube & Conduit
Calconduit

Table of Contents

↓ [Click below to view product section](#)

[Galvanized Rigid Conduit \(GRC\) 90° Elbows](#)

[Galvanized Rigid Conduit \(GRC\) 45° Elbows](#)

[Galvanized Rigid Conduit \(GRC\) 22 ½° Elbows](#)

[Galvanized Rigid Conduit \(GRC\) Large Radius 90° Elbows](#)

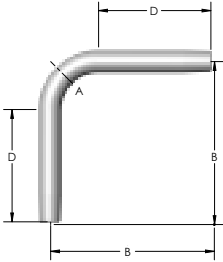


Galvanized Rigid Conduit Elbows & Sweeps

Click brand for more product info ↓

[Allied Tube & Conduit](#)
[Calconduit](#)

Galvanized Rigid Conduit (GRC) 90° Elbows



Certifications & Compliances:

- Listed to Safety Standard UL 6
- Manufactured in accordance with ANSI C80.1



Part Number	Trade Size	Metric Designator	Radius (A) ¹		Offset (B) ²		Straight (D) ¹		Approximate Weight Per 100 Pieces		Standard Package
	(in)	(mm)	(in)	(mm)	(in)	(mm)	(in)	(mm)	(lb)	(kg)	
876769	1/2	16	4.00	102	5.875	149	1.500	38	68	30.8	50
876770	3/4	21	4.50	114	7.000	178	1.500	38	109	49.4	50
876771	1	27	5.75	146	8.750	222	1.875	48	201	91.2	25
876772	1 1/4	35	7.25	184	10.125	257	2.000	51	336	152.4	20
876773	1 1/2	41	8.25	210	11.750	298	2.000	51	460	208.7	15
876774	2	53	9.50	241	14.000	356	2.000	51	729	330.7	10
876775	2 1/2	63	10.50	267	16.250	413	3.000	76	1,374	623.2	1
876776	3	78	13.00	330	18.750	476	3.125	79	2,045	927.6	1
876777	3 1/2	91	15.00	381	21.250	540	3.250	83	2,860	1,297.3	1
876778	4	103	16.00	406	23.375	594	3.375	86	3,519	1,596.2	1
876779	5	129	24.00	610	34.875	886	3.625	92	6,942	3,148.9	1
876780	6	155	30.00	762	45.500	1,156	3.750	95	11,960	5,425.1	1

¹Minimum requirement as per UL Standard

²For information only, not a requirement as per UL Standard

Sizes 2 1/2" (63 mm) and larger shipped in palletized cartons or bulk

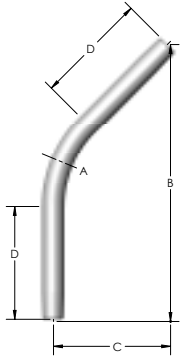
Also available in the following Degrees (60°, 45°, 30°, 22 1/2°, 15° & 11 1/4°)

Galvanized Rigid Conduit Elbows & Sweeps

Click brand for more product info ↓

[Allied Tube & Conduit](#)
[Calconduit](#)

Galvanized Rigid Conduit (GRC) 45° Elbows



Certifications & Compliances:

- Listed to Safety Standard UL 6
- Manufactured in accordance with ANSI C80.1



Part Number	Trade Size	Metric Designator	Radius (A) ¹		Offset (B) ²		Offset (C) ²		Straight (D) ¹		Approximate Weight Per 100 Pieces		Standard Package
	(in)	(mm)	(in)	(mm)	(in)	(mm)	(in)	(mm)	(in)	(mm)	(lb)	(kg)	
876783	1	27	5.75	146	9.625	244	4.000	102	1.875	48	148	67.1	25
876784	1¼	35	7.25	184	11.125	283	4.625	117	2.000	51	232	105.2	20
876786	2	53	9.50	241	15.750	400	6.500	165	2.000	51	525	238.1	10
876787	2½	63	10.50	267	17.500	445	7.250	184	3.000	76	932	422.8	1
876788	3	78	13.00	330	21.875	556	9.000	229	3.125	79	1,515	687.2	1
876790	4	103	16.00	406	26.250	667	10.875	276	3.375	86	2,575	1,168.0	1
876791	5	129	24.00	610	35.875	911	14.875	378	3.625	92	4,783	2,169.6	1
876792	6	155	30.00	762	43.375	1,102	18.000	457	3.750	95	7,590	3,442.8	1

¹Minimum requirement as per UL Standard

²For information only, not a requirement as per UL Standard

Sizes 2½" (63 mm) and larger shipped in palletized cartons or bulk

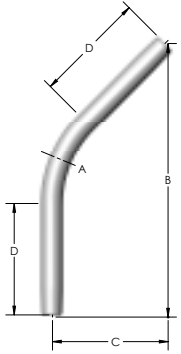
Also available in the following Degrees (90°, 60°, 30°, 22½°, 15° & 11¼°)

Galvanized Rigid Conduit Elbows & Sweeps

Click brand for more product info ↓

Galvanized Rigid Conduit (GRC) 22½° Elbows

[Allied Tube & Conduit](#)



Certifications & Compliances:

- Listed to Safety Standard UL 6
- Manufactured in accordance with ANSI C80.1

For Elbows less than 45°, note the changes to the dimensions for A, B, C and D in the following table



Part Number	Trade Size		Radius (A) ¹		Offset (B) ²		Offset (C) ²		Straight (D) ¹		Approximate Weight Per 100 Pieces		Standard Package
	(in)	(mm)	(in)	(mm)	(in)	(mm)	(in)	(mm)	(in)	(mm)	(lb)	(kg)	
876814	4	103	16.000	406	24.125	613	4.750	121	9.375	238	—	—	—
876816	6	155	30.000	762	34.750	883	6.875	175	12.125	308	—	—	—

¹Minimum requirement as per UL Standard

²For information only, not a requirement as per UL Standard

Sizes 2½" (63 mm) and larger shipped in palletized cartons or bulk

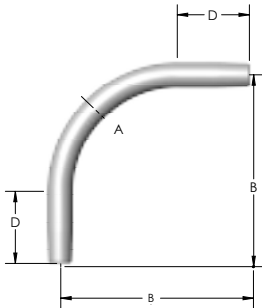
Also available in the following Degrees (90°, 60°, 30°, 22½°, 15° & 11¼°)

Galvanized Rigid Conduit Elbows & Sweeps

Click brand for more product info ↓

[Allied Tube & Conduit](#)
[Calconduit](#)

Galvanized Rigid Conduit (GRC) Large Radius 90° Elbows



Certifications & Compliances:

- Listed to Safety Standard UL 6
- Manufactured in accordance with ANSI C80.1



Part Number	Trade Size	Metric Designator	Radius (A) ¹		Offset (B) ²		Straight (D) ¹		Approximate Weight Per 100 Pieces	
	(in)	(mm)	(in)	(mm)	(in)	(mm)	(in)	(mm)	(lb)	(kg)
876856	2	53	24	610	30.375	772	6.375	162	1,473	668.2
876858	2	53	36	914	46.750	1,187	10.750	273	2,275	1,031.9
876864	2½	63	24	610	31.125	791	7.250	181	2,422	1,098.6
876866	2½	63	36	914	44.750	1,137	8.750	222	3,447	1,563.6
876871	3	78	24	610	33.125	841	9.125	232	3,393	1,539.1
876873	3	78	36	914	46.875	1,191	10.875	276	4,741	2,150.5
876883	4	103	24	610	35.125	892	11.125	283	5,150	2,336.0
876885	4	103	36	914	47.000	1,194	11.000	279	6,738	3,056.4
876887	4	103	48	1,219	60.250	1,530	12.250	311	8,583	3,893.2
876890	5	129	36	914	50.750	1,289	14.750	375	10,033	4,551.0
876892	5	129	48	1,219	65.250	1,657	17.250	438	12,833	5,821.0
876894	6	155	36	914	50.750	1,289	14.750	375	13,187	5,981.6
876896	6	155	48	1,219	65.250	1,657	17.250	438	16,867	7,650.9

¹Minimum requirement as per UL Standard

²For information only, not a requirement as per UL Standard

Shipped in palletized cartons or bulk

Also available in the following Degrees (60°, 45°, 30°, 22 ½°, 15° & 11¼°)



PVC ELBOWS & SWEEPS

Allied Tube & Conduit
Heritage Plastics
Queen City Plastics

Table of Contents

↓ [Click below to view product section](#)

[Introduction](#)

[Schedule 40 Standard Radius Elbows](#)

[Schedule 40 Special Radius Elbows](#)

[Schedule 80 Standard Radius Elbows](#)

[Schedule 80 Special Radius Elbows](#)



PVC Elbows & Sweeps

We offer a complete line of rigid PVC conduit, utility duct, and fittings which have proven durable and effective for years of maintenance free performance in underground, encased and exposed applications.

What are typical applications?

- Residential, Commercial and Industrial
- Transportation and Highway
- Airports and Marinas
- Cable, Data and Communication Lines
- Utilities

What are advantages of PVC?

- Corrosion Resistant
- Long Life
- Impact Resistant
- Labor Savings
- Lightweight
- Non Magnetic
- Self Extinguishing
- Non Galvanic

Are Schedule 80 and 40 electrical conduit and fabricated fittings suited for direct sunlight?

Schedule 40 and 80 conduit and fabricated fittings are “Sunlight Resistant” in accordance with UL 651. Refer to the Atkore Sunlight Exposure Technical Bulletin on the website for additional information.

Part Number Guide

Elbows

Schedule 40 2" x 90 x 36" Plain End
Special Radius Elbow F402009036P

F402009036P

Schedule Trade Size Degree Radius Plain End

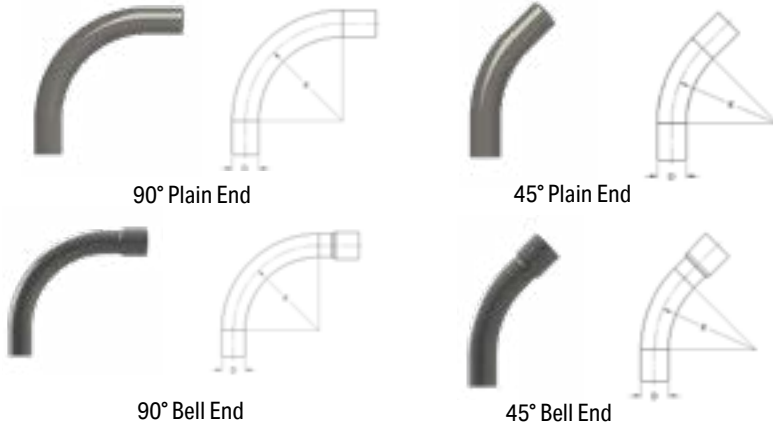


PVC Elbows & Sweeps

Click brand for more product info ↓

[Allied Tube & Conduit](#)
[Heritage Plastics](#)
[Queen City Plastics](#)

Schedule 40 Standard Radius Elbows



Part Number		Trade Size	Dimensions (in)		Package Quantity
Plain End	Bell End		Average Outside Diameter, D	Radius R	
90°					
F4005090P	F4005090	½	0.840	4.00	50
F4007590P	F4007590	¾	1.050	4.50	25
F4010090P	F4010090	1	1.315	5.75	25
F4012590P	F4012590	1¼	1.660	7.25	25
F4015090P	F4015090	1½	1.900	8.25	25
F4020090P	F4020090	2	2.375	9.50	25
F4025090P	F4025090	2½	2.875	10.50	50
F4030090P	F4030090	3	3.500	13.00	50
F4035090P	—	3½	4.000	15.00	25
F4040090P	F4040090	4	4.500	16.00	25
F4050090P	—	5	5.563	24.00	20
F4060090P	F4060090	6	6.625	30.00	16
45°					
F4005045P	F4005045	½	0.840	4.00	50
F4007545P	F4007545	¾	1.050	4.50	25
F4010045P	F4010045	1	1.315	5.75	25
F4012545P	F4012545	1¼	1.660	7.25	25
F4015045P	F4015045	1½	1.900	8.25	25
F4020045P	F4020045	2	2.375	9.50	25
F4025045P	F4025045	2½	2.875	10.50	50
F4030045P	F4030045	3	3.500	13.00	50
F4035045P	—	3½	4.000	15.00	25
F4040045P	F4040045	4	4.500	16.00	25
F4050045P	—	5	5.563	24.00	20
F4060045P	F4060045	6	6.625	30.00	16

Product availability varies by region and minimum run quantities may apply
 Listed to UL 651

PVC Elbows & Sweeps

Click brand for more product info ↓

[Allied Tube & Conduit](#)
[Heritage Plastics](#)
[Queen City Plastics](#)

Schedule 40 Standard Radius Elbows



Part Number		Trade Size	Dimensions (in)		Package Quantity
Plain End	Bell End		Average Outside Diameter, D	Radius R	
30°					
F4007530P	—	¾	1.050	4.50	25
—	F4012530	1¼	1.660	7.25	25
F4020030P	F4020030	2	2.375	9.50	25
F4030030P	F4030030	3	3.500	13.00	50
F4040030P	F4040030	4	4.500	16.00	25
F4050030P	—	5	5.563	24.00	20
F4060030P	F4060030	6	6.625	30.00	16
22 1/2°					
—	F4010022	1	1.315	5.75	25
F4020022P	F4020022	2	2.375	9.50	25
F4030022P	F4030022	3	3.500	13.00	50
F4040022P	F4040022	4	4.500	16.00	25
F4050022P	—	5	5.563	24.00	20
F4060022P	F4060022	6	6.625	30.00	16
11 1/4°					
—	F4020011	2	2.375	9.50	25
F4040011P	—	4	4.500	16.00	25
F4060011P	—	6	6.625	30.00	16

Product availability varies by region and minimum run quantities may apply
 Listed to UL 651

PVC Elbows & Sweeps

Click brand for more product info ↓

Schedule 40 Special Radius Elbows

[Allied Tube & Conduit](#)
[Heritage Plastics](#)
[Queen City Plastics](#)



				Trade Size	Package Quantity
24" Radius	36" Radius	48" Radius	60" Radius		
Bell End 90°					
F402009024	F402009036	F402009048	—	2	50
F402009024LB*	F402009036LB*	—	—	2	50
—	F402509036	—	—	2½	50
F403009024	F403009036	—	—	3	50
F404009024	F404009036	F404009048	—	4	25
—	F405009036	—	—	5	20
—	F406009036	F406009048	—	6	16
—	—	F408009048	—	8	8
Bell End 45°					
—	F402004536	—	—	2	50
F402504524	—	—	—	2½	50
F403004524	—	—	—	3	50
—	F404004536	—	—	4	25
Bell End 22 ½°					
—	F404002236	—	—	4	25
Bell End 11 ¼°					
—	F404001136	—	—	4	25
Plain End 90°					
—	F401009036P	—	—	1	25
F401509024P	F401509036P	—	—	1½	25
F402009024P	F402009036P	F402009048P	—	2	50
F402509024P	F402509036P	—	—	2½	50
F403009024P	F403009036P	—	—	3	50
F404009024P	F404009036P	F404009048P	F404009060P	4	25
—	F405009036P	F405009048P	F405009060P	5	20
—	F406009036P	F406009048P	F406009060P	6	16
—	—	F408009048P	—	8	8
Plain End 45°					
F402004524P	F402004536P	—	—	2	50
—	F404004536P	—	—	4	25
—	F406004536P	—	—	6	16
—	—	F408004548P	—	8	8
Plain End 30°					
—	—	F408003048P	—	8	8
Plain End 22 ½°					
—	F404002236P	—	—	4	25
—	F406002236P	—	—	6	16

Call for availability on 30°, 22 ½°, & 11¼° special radius elbows

* LBE - Long Belled End

Product availability varies by region and minimum run quantities may apply

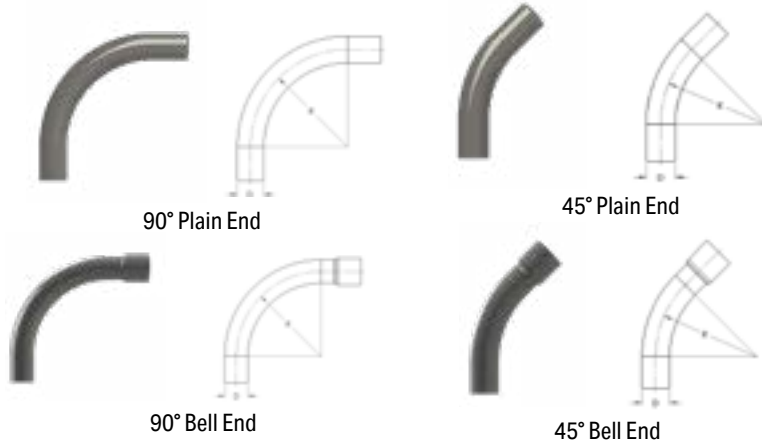
Listed to UL 651

PVC Elbows & Sweeps

[Click brand for more product info](#) ↓

Schedule 80 Standard Radius Elbows

[Allied Tube & Conduit](#)
[Heritage Plastics](#)
[Queen City Plastics](#)



Part Number		Trade Size	Dimensions (in)		Package Quantity
Plain End	Bell End		Average Outside Diameter, D	Radius R	
90°					
F8005090P	—	½	0.840	4.00	50
F8007590P	F8007590	¾	1.050	4.50	25
F8010090P	F8010090	1	1.315	5.75	25
F8012590P	F8012590	1¼	1.660	7.25	25
F8015090P	—	1½	1.900	8.25	25
F8020090P	—	2	2.375	9.50	25
F8025090P	—	2½	2.875	10.50	50
F8030090P	F8030090	3	3.500	13.00	50
F8040090P	—	4	4.500	16.00	25
—	F8050090	5	5.563	24.00	20
45°					
F8020045P	—	2	2.375	9.50	25
F8030045P	F8030045	3	3.500	13.00	50
F8040045P	—	4	4.500	16.00	25

Product availability varies by region and minimum run quantities may apply
 Listed to UL 651

PVC Elbows & Sweeps

Click brand for more product info ↓

Schedule 80 Special Radius Elbows

[Allied Tube & Conduit](#)
[Heritage Plastics](#)
[Queen City Plastics](#)



Part Number	Trade Size	Package Quantity
24" Radius		
Plain End 90°		
F802009024P	2	50
F802509024P	2½	50
F803009024P	3	50
F804009024P	4	25
—	6	16
Bell End 90°		
—	3	50
—	4	25

Part Number	Trade Size	Package Quantity
36" Radius		
Plain End 90°		
F802009036P	2	50
F802509036P	2½	50
F803009036P	3	50
F804009036P	4	25
F806009036P	6	16
Bell End 90°		
F803009036	3	50
—	4	25

Part Number	Trade Size	Package Quantity
48" Radius		
Plain End 90°		
—	2	50
—	2½	50
—	3	50
F804009048P	4	25
F806009048P	6	16
Bell End 90°		
—	3	50
F804009048	4	25

Call for availability on 30°, 22 ½° & 11¼° special radius elbows
 Product availability varies by region and minimum run quantities may apply
 Listed to UL 651



PVC COATED ELBOWS

Allied Tube & Conduit
Calbond

Table of Contents

↓ [Click below to view product section](#)

[Standard Elbows](#)
[Special Radius Elbows](#)



PVC Coated Elbows

Click brand for more product info ↓

Standard Elbows

[Allied Tube & Conduit](#)
[Calbond](#)



Features:

- Exterior PVC coating thickness is a minimum 0.040"
- Interior urethane coating thickness is a minimum 0.002"
- Specialized corrosion resistant coating provided on threads
- Sizes available are ½" to 6"
- Available in 90, 60, 45, and 30 degree bends

Certifications & Compliances:

- UL/cUL listed in accordance to UL6 & ANSI C80.1 Standards
- UL/cUL listed rigid ferrous metal conduit with polyvinyl chloride coating verified for PVC adhesion performance
- Complies with NEMA RN1
- UL File Number E226472 (Steel)
- Alum UL E230584 (Aluminum)

Applications:

- PVC Coated GRC Standard Elbows are available in various degrees as required
- All elbows are manufactured from PVC coated conduit and meet all applicable standards

Options:

- Available in any degree of bend from 5° to 90°, and special radius



Part Number	Trade Size (in)	Metric Size (mm)	A Standard Radius (in)	B Offset (in)	T Tangent (in)	Weight per 100 (lb)
45° Steel Elbows						
PV2045EL00	2	53	9.5	16.1	5.4	5.4
PV3045EL00	3	78	13	20.5	6.7	14.7
PV4045EL00	4	103	16	29.2	10.5	29.3
90° Steel Elbows						
PV0790EL00	¾	21	4.500	6.700	2.200	100
PV1090EL00	1	27	5.750	8.000	2.400	190
PV1290EL00	1¼	35	7.250	9.600	2.800	310
PV1590EL00	1½	41	8.250	10.600	2.600	400
PV2090EL00	2	53	9.500	12.000	3.500	640
PV2590EL00	2½	63	10.500	14.800	4.700	1,210
PV3090EL00	3	78	13.000	17.000	5.300	1,950
PV4090EL00	4	103	16.000	21.000	6.500	3,280
90° Aluminum Elbows						
PA0790EL00	¾	21	4.5	6.7	2.2	42
PA1090EL00	1	27	5.75	8	2.4	76
PA3090EL00	3	78	13	17	5.3	707
PA4090EL00	4	103	16	21	6.5	1,114

All dimensions are for informational purposes only *Tolerances +/- 5%

PVC Coated Elbows

Special Radius Elbows

[Click brand for more product info](#) ↓

[Allied Tube & Conduit Calbond](#)



Trade Size	24 Inch Radius				36 Inch Radius				48 Inch Radius			
(in)	Part Number	B (in)	T (in)	Wt (lb)	Part Number	B (in)	T (in)	Wt (lb)	Part Number	B (in)	T (in)	Wt (lb)
1¼	PV1224SW90	35	11	11.0	—	—	—	—	—	—	—	—
2	PV2024SW90	35	11	17.5	—	—	—	—	—	—	—	—
3	—	—	—	—	PV3036SW90	47	11	50.7	—	—	—	—
4	—	—	—	—	—	—	—	—	PV4048SW90	60	12	87.5
5	—	—	—	—	—	—	—	—	PV5048SW90	60	12	116.7

All dimensions are for informational purposes only *Tolerances +/- 5%



FITTINGS



Allied Tube & Conduit

Calconduit

Heritage Plastics

Queen City Plastics

Fittings - Table of Contents

↓ [Click below to view product section](#)

- Aluminum Rigid Conduit (ARC) Fittings
- Die Cast Fittings
- EMT Fittings
- Flex AC & MC Fittings
- Form 5 Aluminum Conduit Bodies
- Form 5 Iron Conduit Bodies
- Galvanized Rigid Conduit (GRC) Fittings
- LiquidTight Fittings
- Miscellaneous Fittings
- PVC Fittings
- PVC Coated Fittings
- Rigid Fittings



ALUMINUM RIGID CONDUIT (ARC) FITTINGS

Allied Tube & Conduit
Calconduit

Table of Contents

↓ [Click below to view product section](#)

[ARC Couplings](#)
[ARC Nipples](#)

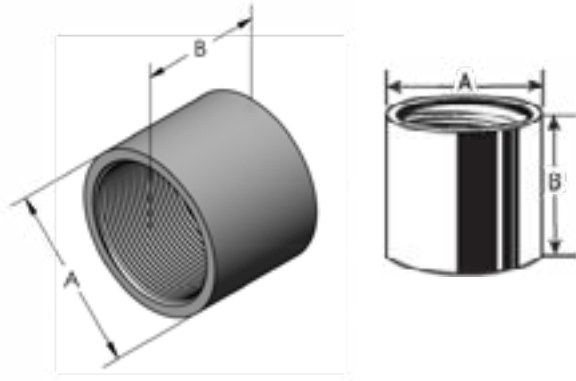


Aluminum Rigid Conduit (ARC) Fittings

Click brand for more product info ↓

Allied Tube & Conduit
Calconduit

ARC Couplings



Features:

- Corrosion resistant aluminum
- Low maintenance, doesn't leave discoloring streaks or stains

Standard Materials:

- 6063 alloy in temper designation T-1

Certifications & Compliances:

- Listed to UL Safety Standard 6A
- Manufactured in accordance with ANSI C80.5



Part Number	Trade Size		Nominal Outside Dimensions (A)		Minimal Acceptable Length (B)		Threads Per Inch	Approximate Weight Per 100 Pieces		Standard Package
	(in)	(mm)	(in)	(mm)	(in)	(mm)		(lb)	(kg)	
732323	1/2	16	1.078	27.38	1 5/8	41.3	14	6	2.7	100
732324	3/4	21	1.328	33.73	1 4/64	41.7	14	9	4.1	50
732325	1	27	1.562	39.67	1 3/32	50.0	11 1/2	13	5.9	30
732326	1 1/4	35	1.953	49.61	2 1/32	51.6	11 1/2	19	8.6	25
732327	1 1/2	41	2.219	56.36	2 1/16	52.4	11 1/2	23	10.4	25
732328	2	53	2.750	69.85	2 1/8	54.4	11 1/2	35	15.9	15
732329	2 1/2	63	3.281	83.34	3 3/16	81.0	8	68	30.8	20
732330	3	78	3.812	96.84	3 5/16	84.1	8	91	41.3	15
732331	3 1/2	91	4.438	112.71	3 13/32	86.5	8	108	49.0	12
732332	4	103	5.000	127.00	3 3/8	89.3	8	142	64.4	12
732333	5	129	6.219	157.96	3 61/64	100.4	8	242	109.8	8
732334	6	155	7.312	185.74	4 1/4	108.0	8	320	145.2	6

¹Minimum requirement as per CSA Standard

²For information only, not a requirement as per CSA Standard
Sizes 2 1/2 (63) and larger shipped in palletized cartons or bulk.

Aluminum Rigid Conduit (ARC) Fittings

Click brand for more
product info ↓

[Allied Tube & Conduit](#)

ARC Nipples



Features:

- Corrosion resistant aluminum
- Low maintenance, doesn't leave discoloring streaks or stains

Standard Materials:

- 6063 alloy in temper designation T-1

Certifications & Compliances:

- Listed to UL Safety Standard 6A
- Manufactured in accordance with ANSI C80.5

Part Number	Trade Size		Lenth (A)		Total Thread Length (B)		Threads Per Inch	Approximate Weight Per 100 Pieces		Standard Package
	(in)	(mm)	(in)	(mm)	(in)	(mm)	(in)	(lb)	(kg)	
119284	½	16	(Close) 1 ⅛	29	0.78	19.8	14	2	0.9	25
119285	½	16	3	76	0.78	19.8	14	6	2.7	25
119287	½	16	4	102	0.78	19.8	14	9	4.1	25
119293	¾	21	(Close) 1 ⅜	35	0.79	20.1	14	3	1.4	25
119302	1	27	(Close) 1 ½	38	0.98	24.9	11.5	4	1.8	25
119305	1	27	4	102	0.98	24.9	11.5	15	6.8	25
119311	1 ¼	35	(Close) 1 ⅝	41	1.01	25.7	11.5	6	2.7	25
119320	1 ½	41	(Close) 1 ¾	44	1.03	26.2	11.5	9	4.1	25
119329	2	53	(Close) 2	51	1.06	26.9	11.5	14	6.4	25
119338	2 ½	63	(Close) —	—	1.57	39.9	8	—	—	—
119345	3	78	(Close) 2 ⅝	67	1.63	41.4	8	27	12.2	10
119358	4	103	(Close) 2 ⅞	73	1.73	43.9	8	39	17.7	5

*Minimum requirement as per CSA Standard

A tolerance of minus one thread applies to Total Length of Thread



DIE CAST FITTINGS

Allied Tube & Conduit

Table of Contents

↓ [Click below to view product section](#)

[Squeeze Connectors for Flex](#)



Die Cast Fittings

Squeeze Connectors for Flex

Click brand for more product info ↓

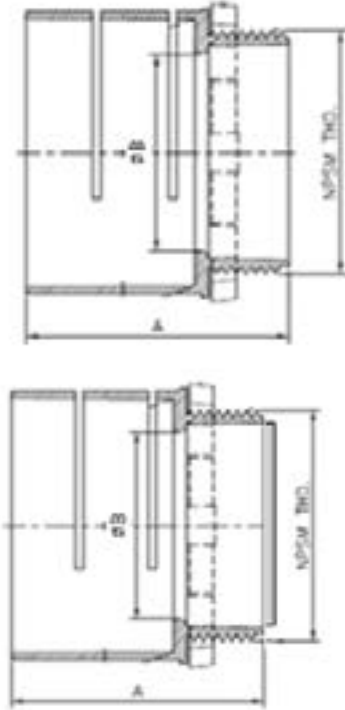
[Allied Tube & Conduit](#)



Non-Insulated



Insulated



Features:

- Male hub threads - NPSM
- Used for armored cable, flexible metal conduit, interlock metal clad cables, HCF cables

Standard Materials:

- Zinc Die Cast
- Insuliner - Polycarbonate

Standard Finish:

- Vibratory Finish

Certifications & Compliances:

- UL Standard: 514B
- UL Listed File E207875
- RoHS compliant



Part Number	Trade Size	Dim A	Dim B	Inner Pack	Master Pack	Weight Per C
	(in)	(in)	(in)			(lb)
Insulated						
MSCD50-ICKON	1/2	1.42	0.61	30	300	7.3



EMT FITTINGS

Allied Tube & Conduit

Table of Contents

↓ [Click below to view product section](#)

- Steel EMT Compression Connectors
- Steel EMT Compression Couplings
- Steel EMT Raintight Compression Connectors
- Steel EMT Raintight Compression Couplings
- Steel EMT Set Screw Connectors
- Steel EMT Set Screw Couplings
- Steel Straps for EMT Conduit - One Hole



EMT Fittings

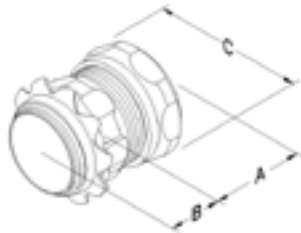
Steel EMT Compression Connectors

Click brand for more product info ↓

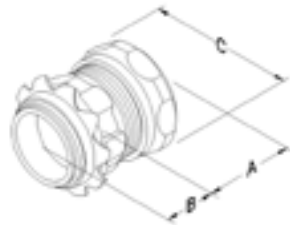
[Allied Tube & Conduit](#)



Non-Insulated



Insulated



Features:

- Male hub threads - NPSM
- Steel locknuts
- Heavy steel walls
- Concrete tight
- UL listed for steel and aluminum EMT conduit
- RoHS compliant

Standard Materials:

- Nylon
- Steel

Standard Finish:

- Zinc plated

Certifications & Compliances:

- UL Standard: 514B
- Fed. Spec. A-A-50553A
- NEMA: FB-1
- UL Listed File # E200730



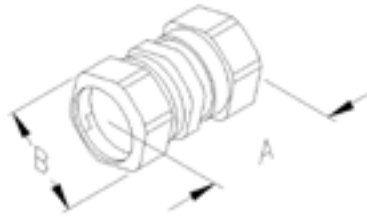
Part Number	Trade Size	Dim A	Dim B	Dim C	Inner Pack	Master Pack	Weight Per 100 Pieces
	(in)	(in)	(in)	(in)			(lb)
Steel Compression Connectors							
CC50RKON	½	0.625	0.437	1.125	50	500	10.6
CC75RKON	¾	0.688	0.437	1.375	25	250	17.0
CC100RKON	1	0.688	0.500	1.688	20	200	22.7
CC125RKON	1 ¼	0.938	0.625	2.063	10	100	40.6
CC150RKON	1 ½	1.063	0.625	2.250	10	100	49.9
CC200RKON	2	1.125	0.687	2.750	5	50	66.8
CC250RKON	2 ½	1.688	0.750	3.625	-	8	176.8
CC300RKON	3	1.688	0.875	4.250	-	6	234.3
CC400RKON	4	1.813	0.937	5.188	-	4	342.6
With Insulated Throat							
CC50-ICRKON	½	0.625	0.500	1.125	50	500	10.7
CC75-ICRKON	¾	0.688	0.500	1.375	25	250	17.1
CC100-ICRKON	1	0.688	0.563	1.688	20	200	22.9
CC125-ICRKON	1 ¼	0.938	0.688	2.063	10	100	41.0
CC150-ICRKON	1 ½	1.063	0.688	2.250	10	100	50.4
CC200-ICRKON	2	1.125	0.750	2.750	5	50	67.4
CC250-ICRKON	2 ½	1.688	0.813	3.625	-	8	178.1
CC300-ICRKON	3	1.688	0.938	4.250	-	6	235.7
CC350-ICRKON	3 ½	1.813	1.000	4.688	-	4	289.1
CC400-ICRKON	4	1.813	1.000	5.188	-	4	344.9

EMT Fittings

Steel EMT Compression Couplings

Click brand for more product info ↓

[Allied Tube & Conduit](#)



Features:

- Heavy steel walls
- Concrete tight
- UL Listed for steel and aluminum EMT conduit
- RoHS compliant

Standard Materials:

- Steel

Standard Finish:

- Zinc plated

Certifications & Compliances:

- UL Standard: 514B
- Fed. Spec. A-A-50553A
- NEMA: FB-1
- UL Listed File # E200730



Part Number	Trade Size	Dim A	Dim B	Inner Pack	Master Pack	Weight Per 100 Pieces
	(in)	(in)	(in)			(lb)
CK50RKON	½	1.625	1.125	50	500	14.0
CK75RKON	¾	1.750	1.375	25	250	21.3
CK100RKON	1	1.875	1.688	20	200	28.0
CK125RKON	1¼	2.250	2.063	10	100	48.5
CK150RKON	1½	2.250	2.250	10	100	59.5
CK200RKON	2	2.375	2.750	5	50	78.9
CK250RKON	2½	3.875	3.625	-	8	205.5
CK300RKON	3	4.000	4.250	-	6	263.0
CK350RKON	3½	4.063	4.688	-	4	309.4
CK400RKON	4	4.938	5.188	-	4	393.4

EMT Fittings

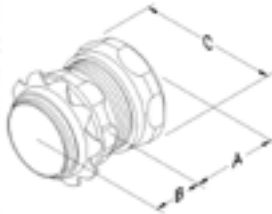
Steel EMT Raintight Compression Connectors

[Click brand for more product info](#) ↓

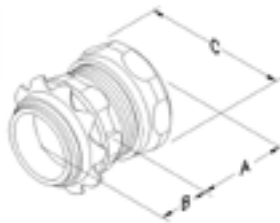
[Allied Tube & Conduit](#)



Non-Insulated



Insulated



Features:

- Male hub threads - NPSM
- Steel locknuts
- Heavy steel walls
- Raintight - Wet locations
- Concrete tight
- Blue nut eases identification
- Suitable for use outdoors
- RoHS compliant

Standard Materials:

- Steel
- Neoprene rubber
- Nylon compression ring

Standard Finish:

- Zinc plated

Certifications & Compliances:

- UL Standard: 514B
- Fed. Spec. A-A-50553A
- NEMA: FB-1
- UL Listed File # E200730

U.S. Patent No. 8.129.633



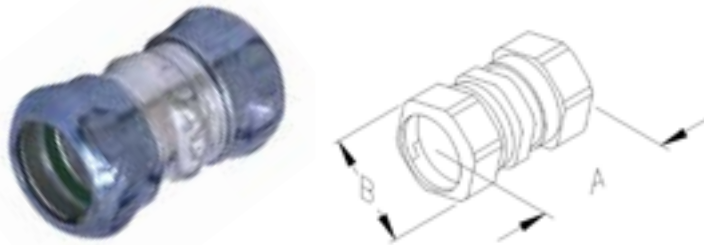
Part Number	Trade Size	Dim A	Dim B	Dim C	Inner Pack	Master Pack	Weight Per 100 Pieces
	(in)	(in)	(in)	(in)			(lb)
Raintight Compression Fittings							
CCR-50KON	1/2	0.625	0.438	1.125	50	500	10.6
CCR-75KON	3/4	0.688	0.438	1.375	25	250	17.0
CCR-250KON	2 1/2	1.688	0.750	3.625	-	8	176.8

EMT Fittings

Steel EMT Raintight Compression Couplings

[Click brand for more product info](#)

[Allied Tube & Conduit](#)



Features:

- Heavy steel walls
- Raintight - Wet locations
- Concrete tight
- Blue nut eases identification
- Suitable for use outdoors
- RoHS compliant

Standard Materials:

- Steel
- Nylon compression ring

Standard Finish:

- Zinc plated

Certifications & Compliances:

- UL Standard: 514B
- Fed. Spec. A-A-50533A
- NEMA: FB-1
- UL Listed File # E200730



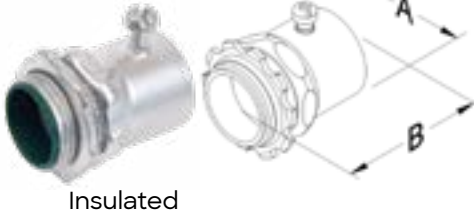
Part Number	Trade Size (in)	Dim A (in)	Dim B (in)	Inner Pack	Master Pack	Weight Per 100 Pieces (lb)
CKR-75KON	¾	1.750	1.375	25	250	21.3
CKR-125KON	1 ¼	2.250	2.063	10	100	48.5
CKR-200KON	2	2.750	2.750	5	50	78.9
CKR-250KON	2 ½	3.875	3.625	-	8	205.5
CKR-300KON	3	4.000	4.250	-	6	263.0
CKR-350KON	3 ½	4.688	4.688	-	4	309.4

EMT Fittings

Click brand for more product info ↓

[Allied Tube & Conduit](#)

Steel EMT Set Screw Connectors



Features:

- Pre-set and staked tri-head screws 1/2" thru 2"
- Hex head screws 2 1/2" thru 4"
- Male hub threads - NPSM
- Steel locknuts
- Heavy steel walls
- Concrete tight when taped
- UL listed for Steel EMT Conduit
- RoHS compliant

Standard Materials:

- Nylon
- Steel

Standard Finish:

- Zinc plated

Certifications & Compliances:

- UL Standard: 514B
- Fed. Spec. A-A-50553A
- NEMA: FB-1
- UL Listed File # E200730 sizes 1/2" thru 2"
- UL Listed File # E207875 sizes 2 1/2" thru 4"

Part Number	Trade Size (in)	Dim A (in)	Dim B (in)	Inner Pack	Master Pack	Weight Per 100 Pieces (lb)
Non-Insulated						
SC50RKON	1/2	0.880	1.500	50	500	8.6
SC75RKON	3/4	1.130	1.560	25	250	12.8
SC100RKON	1	1.380	1.810	20	200	20.2
SC125RKON*	1 1/4	1.380	2.250	10	100	35.6
SC150RKON*	1 1/2	2.750	2.310	10	100	45.1
SC200RKON*	2	2.000	2.380	5	50	63.6
SC250RKON*^	2 1/2	3.440	3.190	-	8	130.0
SC300RKON*^	3	3.130	3.810	-	6	140.0
SC350RKON*^	3 1/2	4.250	4.310	-	4	180.0
SC400RKON*^	4	4.750	4.880	-	4	225.0
Insulated						
SC50-ICRKON	1/2	0.880	1.500	50	500	8.7
SC75-ICRKON	3/4	1.130	1.560	25	250	12.9
SC100-ICRKON	1	1.380	1.810	20	200	20.4
SC125-ICRKON*	1 1/4	1.750	2.250	10	100	36.0
SC150-ICRKON*	1 1/2	2.000	2.310	10	100	45.6
SC200-ICRKON*	2	2.438	2.380	5	50	64.2
SC250-ICRKON*^	2 1/2	3.125	3.190	-	8	131.3
SC300-ICRKON*^	3	3.750	3.810	-	6	141.4
SC350-ICRKON*^	3 1/2	4.250	4.310	-	4	181.8
SC400-ICRKON*^	4	4.750	4.880	-	4	227.3

* Furnished with two set screws

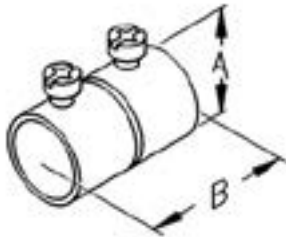
^ UL and cUL us Listed for EMT, IMC and Rigid conduit, screw heads are hex shaped

EMT Fittings

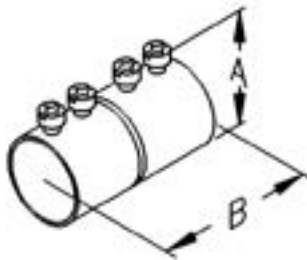
Click brand for more product info ↓

[Allied Tube & Conduit](#)

Steel EMT Set Screw Couplings



US
E200730
1/2" - 2"



#1
E207875
2 1/2" - 4"

Features:

- Pre-set and staked tri-head screws 1/2" thru 2"
- Hex head screws 2 1/2" thru 4"
- Heavy steel walls
- Concrete tight when taped
- UL listed for Steel EMT Conduit
- RoHS compliant

Standard Materials:

- Steel

Standard Finish:

- Zinc plated

Certifications & Compliances:

- UL Standard: 514B
- Fed. Spec. A-A-50553A
- NEMA: FB-1
- UL Listed File # E200730 sizes 1/2" thru 2"
- UL Listed File # E207875 sizes 2 1/2" thru 4"

Part Number	Trade Size	Dim A	Dim B	Inner Pack	Master Pack	Weight Per 100 Pieces
	(in)	(in)	(in)			(lb)
SK50RKON	1/2	0.875	1.625	50	500	7.8
SK75RKON	3/4	1.130	1.875	25	250	12.7
SK100RKON	1	1.190	2.313	20	200	19.6
SK125RKON*	1 1/4	1.750	2.064	10	100	40.2
SK150RKON*	1 1/2	2.000	3.000	10	100	57.5
SK200RKON*	2	2.440	3.250	5	50	64.6
SK250RKON*^	2 1/2	3.130	4.000	-	8	130.0
SK300RKON*^	3	3.750	4.250	-	6	140.0
SK350RKON*^	3 1/2	4.250	4.500	-	4	216.6
SK400RKON*^	4	4.750	4.750	-	4	250.0

* Furnished with four set screws

^ Indicates UL and CUL. Listed for EMT, IMC and Rigid conduit, screw heads are hex shaped

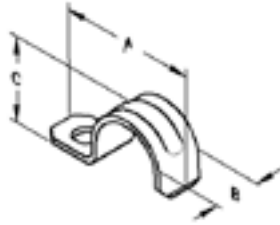
EMT Fittings

Steel Straps for EMT Conduit - One Hole

Click brand for more product info
[Allied Tube & Conduit](#)



One Hole Straps



Standard Materials:

- Steel

Standard Finish:

- Zinc plated

Certifications & Compliances:

- UL Standard: 2239
- UL Listed File # E213669

Applications:

- One Hole Straps click on type for EMT conduit
- Two Hole Straps snap on type for EMT conduit where higher load bearing is required



Part Number	Trade Size	Dim A	Dim B	Dim C	Inner Pack	Master Pack	Weight Per 100 Pieces
	(in)	(in)	(in)	(in)			(lb)
One Hole Straps							
SE50-1KON	1/2	1.750	0.688	0.563	100	1000	2.0
SE75-1KON	3/4	2.000	1.000	0.625	100	1000	3.0
SE100-1KON	1	2.188	1.063	0.750	100	500	5.5
SE150-1KON	1 1/2	3.125	1.750	1.000	25	100	13.0
SE200-1KON	2	3.875	1.175	1.125	25	100	22.5

* Note: Can be used on Rigid/IMC



FLEX AC & MC FITTINGS

Allied Tube & Conduit

Table of Contents

↓ [Click below to view product section](#)

[Double Bite Quicklock Type Connectors with Insulated Throat for Flex, AC, MC, MCI-A cables](#)

[Double Bite Saddle Type Compression Couplings Tubular Steel for Flex to EMT Conduit](#)

[Double Bite Saddle Type Connectors with Insulated Throat Tubular Steel for Flex, AC, MC, MCI-A Cables](#)

[Quicklock Type Connectors with Insulated Throats for Flex, AC, MC, MCI-A cables](#)

[Squeeze Connectors for Flex, AC, MC Cables](#)

[Squeeze Connectors 90° for Flex, AC, MC Cables](#)

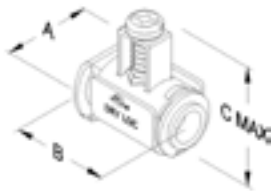


Flex AC & MC Fittings

Click brand for more product info ↓

[Allied Tube & Conduit](#)

Double Bite Quicklock Type Connectors with Insulated Throat for Flex, AC, MC, MCI-A cables



Features:

- No locknut required
- Double bite
- Easy to install. Just tilt, insert and snap down
- Single unit construction eliminates loose component parts, integral green plastic insulated throat bushing provides maximum protection for wire installation
- Double clamp for better grip will not damage the wire
- UL approved for a wide range of cables
- RoHS compliant

Standard Materials:

- Steel

Standard Finish:

- Zinc plated

Certifications & Compliances:

- UL Standard: 514B
- Fed. Spec. AA-50552
- UL Listed File # E238299

Applications:

- For connecting Flex, AC, MC, MCI-A and HCF cable

U.S. Patent No. 8.646.813



Part Number	Trade Size (in)	Dim A (in)	Dim B (in)	Dim C (in)	Inner Pack	Master Pack	Weight Per C (lb)
QL-50DBKON	1/2	1.000	1.460	1.780	25	125	7.5

Cable Type	1/2" KO
AC STEEL	14/2, 14/3, 14/4, 12/2, 12/3, 12/4, 10/2, 10/3, 10/4, 8/2 (.470-.665 dia)
AC ALUMINUM	14/2, 14/3, 14/4, 12/2, 12/3, 12/4, 10/2, 10/3, 10/4 (.450-.635 dia)
AC STEEL HCF	.470 - .665 dia.
AC ALUMINUM HCF	.410 - .650 dia.
MCI STEEL	14/2, 14/3, 14/4, 12/2, 12/3, 12/4, 10/2, 10/3 (.410-.610 dia)
MCI ALUMINUM	14/2, 14/3, 14/4, 12/2, 12/3, 12/4, 10/2, 10/3, 10/4 (.410-.650)
MCI STEEL HCF	.410 - .610 dia.
MCI ALUMINUM HCF	.410 - .650 dia.
MCI-A STEEL	14/2, 14/3, 14/4, 12/2, 12/3, 12/4, 10/2, 10/3, 10/4 (.410-.630 dia)
MCI-A ALUMINUM	14/2, 14/3, 14/4, 12/2, 12/3, 12/4, 10/2, 10/3, 10/4, 8/2 (.410-.610 dia)
FLEX STEEL and ALUMINUM	3/8

Bolded information indicates new sizes available

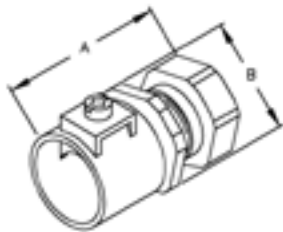
Concrete tight when taped and used with PVC jacketed Cable

Flex AC & MC Fittings

Click brand for more product info

[Allied Tube & Conduit](#)

Double Bite Saddle Type Compression Couplings Tubular Steel for Flex to EMT Conduit



Features:

- One piece tubular construction affording extra strength
- Dual gripping saddle clamps
- Saddle clamp rides up and down on screw for ease of installation
- Tri-head screws
- RoHS compliant

Standard Materials:

- Steel locknut
- Steel compression nut
- Steel gland ring
- Tubular steel

Standard Finish:

- Zinc plated

Certifications & Compliances:

- UL Standard: 514B
- Fed. Spec. A-A-50552
- NEMA: FB-1
- 1/2" thru 3/4"
- UL Listed File # E207875

Applications:

- To connect Flex, AC, and MC cables to EMT conduit

U.S. Patent No. 8.646.813



Part Number	Trade Size	Cable Range Max/Min	Dim A	Dim B	Master Pack	Weight Per C
	(in)		(in)	(in)		(in)
DBC75KON	3/4	1.110 0.680	1.563	1.438	10	20.3

^ Not UL Listed

Flex AC & MC Fittings

Click brand for more product info ↓

[Allied Tube & Conduit](#)

Double Bite Saddle Type Connectors with Insulated Throat Tubular Steel for Flex, AC, MC, MCI-A Cables



Features:

- One piece tubular construction affording extra strength
- Dual gripping saddle clamps
- Saddle clamp rides up and down on screw for ease of installation
- Tri-head screws
- Furnished with insulated throat
- RoHS compliant

Standard Materials:

- Tubular steel
- Steel locknut

Standard Finish:

- Zinc plated

Certifications & Compliances:

- UL Standard: 514B
- Fed. Spec. A-A-50552
- NEMA: FB-1
- UL Listed File # E238299 for 3/8" through 1"
- UL Listed File # E207875 for 1 1/4" through 4"

Applications:

- To connect Flex, AC, MC, MCI-A and HCF cables to outlet box

U.S. Patent No. 8.646.813

Part Number	Trade Size	Cable Range Max/Min	Dim A	Dim B	Dim C	Master Pack	Weight Per C
	(in)	(in)	(in)	(in)	(in)		(lb)
DB38-ICKON [^]	3/8	0.660 0.400	1.188	1.250	0.438	50	14.8
DB50-ICKON [^]	1/2	0.920 0.520	1.375	1.250	0.438	25	15.6
DB75-ICKON [^]	3/4	1.110 0.680	1.375	1.438	0.438	10	17.2
DB150-ICKON	1 1/2	1.950 1.490	2.438	2.500	0.625	5	62.5
DB200-ICKON	2	2.450 1.765	2.563	3.000	0.625	1	87.0

[^]Suitable for use on steel or aluminum armored cables
 UL concrete tight when taped
 Only for 3/8", 1/2" KO Size

Flex AC & MC Fittings

Click brand for more product info ↓

Allied Tube & Conduit

Quicklock Type Connectors with Insulated Throats for Flex, AC, MC, MCI-A cables



QLKON

QL-DKON

Features:

- No locknut required
- Single cable or duplex construction with captive clamp
- Easy to install. Just tilt, insert and snap down
- Single unit construction eliminates loose component parts, integral green plastic insulated throat bushing provides maximum protection for wire installation
- RoHS compliant

Standard Finish:

- Zinc plated

Certifications & Compliances:

- UL Standard: 514B, Armored Cable Connectors, Type AC, Armored Cable Connectors Type AC - Certified for Canada
- Fed. Spec. A-A-50552
- ANSI/NEMA FB-1
- UL Listed File # E238299

Applications:

- For connecting Flex, AC, MC, MCI-A and HCF cable



Standard Materials:

- Steel

Part Number	Trade Size	Dim A	Dim B	Dim C	Inner Pack	Master Pack	Weight Per C
	(in)	(in)	(in)	(in)			(lb)
QL-50KON	½ Single	1.440	0.880	0.440	50	500	7.5
QL-50DKON**	½ Duplex	1.630	1.310	0.560	25	250	10.2

Cable Type	QI-50KON ½" KO	QI-75KON ¾" KO	QI-50DKON** ½" KO
AC STEEL	14/2, 14/3, 14/4, 12/2, 12/3, 12/4, 10/2, 10/3	10/4, 10/5, 8/3, 8/4, 6/3	14/2, 14/3, 14/4, 12/2, 12/3, 12/4
AC ALUMINUM	14/2, 14/3, 14/4, 12/2, 12/3, 12/4	10/4, 8/2, 8/3, 8/4	14/2, 14/3, 14/4, 12/2, 12/3, 12/4
MC STEEL	14/2*, 14/3*, 14/4*, 12/2*, 12/3*, 12/4*, 10/2*	10/3*, 10/4*, 8/2*	14/2, 14/3, 14/4, 12/2, 12/3, 12/4, 10/2, 10/3
MC ALUMINUM INTERLOCKED	14/2, 14/3, 14/4, 12/2, 12/3, 12/4, 10/2	10/3, 10/4, 8/2	14/2, 14/3, 14/4, 12/2, 12/3, 12/4, 10/2, 10/3
MC ALUMINUM	14/3, 14/4, 12/2*, 12/3*, 12/4, 10/2, 10/3		
MC ALUMINUM FLEX	12/3		
FLEX RW	3/8 Steel and Aluminum		
MCI-A	.500 - .610 12/4, 12/6, 12/8, 10/4		.410 - .590 14/3, 14/4, 12/2, 12/3, 12/4, 12/6, 12/8, 10/2, 10/3, 10/4

* Concrete tight when taped and used with PVC jacketed MC cable

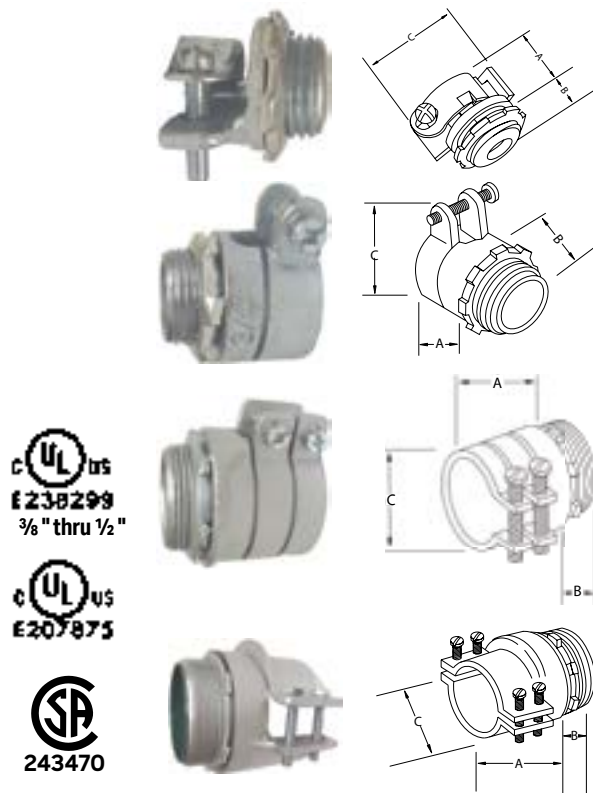
** Accepts 2 cables of each size listed

* The U.L. Requirement for "concrete-tight" means there shall be no entrance of concrete aggregate into the fitting or the outlet box, conduit, or cable," etc. A minimum of two-half-lapped layers of electrical tape, e.g., 2M's #88 or equivalent is recommended.

Flex AC & MC Fittings

Squeeze Connectors for Flex, AC, MC Cables

Click brand for more product info
[Allied Tube & Conduit](#)



UL US
 E238299
 3/8" thru 1/2"

UL US
 E207875

SA
 243470

Features:

- Male hub threads - NPSM
- RoHS compliant

Standard Materials:

- Malleable Iron / Ductile Iron
- Steel locknut

Standard Finish:

- Zinc plated

Certifications & Compliances:

- UL Standard: 514B
- Fed. Spec. A-A-50552
- NEMA: FB-1
- UL Listed File # E238299 3/8" through 1/2"
- UL Listed File # E207875
- CSA 243470

Applications:

- For armored cable, flexible metal conduit, interlocked metal clad cables, HCF cables

Part Number	Trade Size (in)	Dim A (in)	Dim B (in)	Dim C (in)	Inner Pack	Master Pack	Weight Per C (lb)
Non-Insulated							
MSC75KON	3/4	1.125	0.500	1.750	20	100	16.7
MSC150KON	1 1/2	1.875	0.625	2.250	5	25	63.0
MSC300KON^	3	2.125	1.063	3.875	-	5	202.6
Insulated							
MSC75-ICKON	3/4	1.125	0.563	1.750	20	100	16.9
MSC100-ICKON	1	1.125	0.625	2.125	10	50	26.2

^ 2 1/2 to 4" zinc plated and painted
 Only for 3/8"

Flex AC & MC Fittings

Squeeze Connectors 90° for Flex, AC, MC Cables

Click brand for more product info ↓

[Allied Tube & Conduit](#)



Features:

- Male hub threads - NPSM
- RoHS compliant

Standard Materials:

- Malleable Iron / Ductile Iron
- Steel locknut
- Stamped steel covers

Standard Finish:

- Zinc plated

Certifications & Compliances:

- UL Standard: 514B
- CSA 243470
- Fed. Spec. A-A-50552
- NEMA: FB-1
- UL Listed File # E238299 3/8" and 3/4"
- UL Listed File # E207875

Applications:

- For armored cable, flexible metal conduit, interlocked metal clad cables, HCF cables

Part Number	Trade Size	Dim A	Dim B	Dim C	Dim D	Inner Pack	Master Pack	Weight Per C
	(in)	(in)	(in)	(in)	(in)			(lb)
Non-Insulated								
MSC3890KON*	3/8	1.625	0.438	0.875	0.500	20	100	8.7
MSC5090KON*	1/2	1.625	0.438	0.875	0.500	20	100	19.8
Insulated								
MSC7590-ICKON*	3/4	1.813	0.563	1.125	0.625	10	50	17.9

^ 2 1/2 to 4 zinc plated and painted

*Stamped steel covers



FORM 5 ALUMINUM CONDUIT BODIES

Allied Tube & Conduit

Table of Contents

↓ [Click below to view product section](#)

- Form 5 Aluminum Conduit Bodies (Type C)
- Form 5 Aluminum Conduit Bodies (Type LB)
- Form 5 Aluminum Conduit Bodies (Type T)



Form 5 Aluminum Conduit Bodies

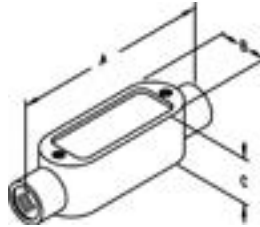
Click brand for more product info ↓

[Allied Tube & Conduit](#)

Form 5 Aluminum Conduit Bodies (Type C)



ACKON



Features:

- Tapered threaded hubs - NPT
- Suitable for use in concrete
- Wet location

Standard Materials:

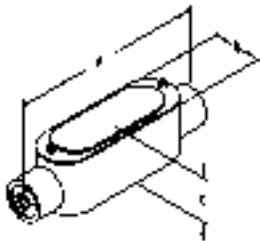
- Die cast aluminum
- Covers - Stamped aluminum
- Gasket - Neoprene rubber

Certifications & Compliances:

- UL Standard: 514A
- Fed. Spec. A-A-50563
- NEMA: FB-1
- UL Listed File # E208392



AC-CGKON
Cover & Gasket Included



Applications:

- To provide access to conductors for pulling, splicing and maintenance



Part Number	Trade Size (in)	Dim A (in)	Dim B (in)	Dim C (in)	Inner Pack	Master Pack	Weight Per 100 Pieces (lb)
Aluminum Die Cast Threaded C Conduit Bodies with Stamped Aluminum Cover and Neoprene Gasket							
AC2CGKON	3/4	5.500	1.563	1.750	10	50	40.5

Form 5 Aluminum Conduit Bodies

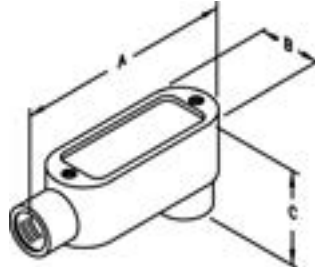
Click brand for more product info ↓

[Allied Tube & Conduit](#)

Form 5 Aluminum Conduit Bodies (Type LB)



ALBKON



Features:

- Tapered threaded hubs - NPT
- Suitable for use in concrete
- Wet location

Standard Materials:

- Die cast aluminum
- Covers - Stamped aluminum
- Gasket - Neoprene rubber

Certifications & Compliances:

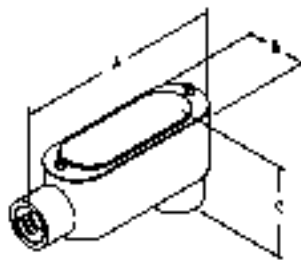
- UL Standard: 514A
- Fed. Spec. A-A-50563
- NEMA: FB-1
- UL Listed File # E208392

Applications:

- To provide access to conductors for pulling, splicing and maintenance



ALB-CGKON
Cover & Gasket Included



Part Number	Trade Size	Dim A	Dim B	Dim C	Inner Pack	Master Pack	Weight Per 100 Pieces
	(in)	(in)	(in)	(in)			(lb)
Aluminum Die Cast Threaded LB Conduit Bodies							
ALB9KON	3 ½	15.625	5.563	7.063	-	1	936.9
Aluminum Die Cast Threaded LB Conduit Bodies with Stamped Aluminum Cover and Neoprene Gasket							
ALB1CGKON	½	4.313	1.313	2.438	10	100	30.5
ALB2CGKON	¾	5.063	1.563	2.688	10	50	44.6
ALB3CGKON	1	5.875	1.750	3.000	5	25	56.3
ALB5CGKON	1 ½	7.813	2.500	3.688	2	10	110.0
ALB6CGKON	2	10.063	3.125	4.563	1	5	253.9
ALB7CGKON	2 ½	12.813	4.500	5.563	-	1	427.4

Form 5 Aluminum Conduit Bodies

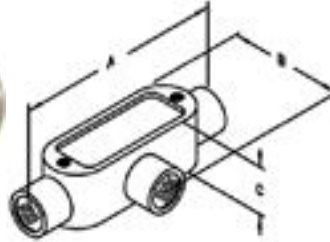
Form 5 Aluminum Conduit Bodies (Type T)

Click brand for more product info ↓

[Allied Tube & Conduit](#)



ATKON



Features:

- Tapered threaded hubs - NPT
- Suitable for use in concrete
- Wet Location

Standard Materials:

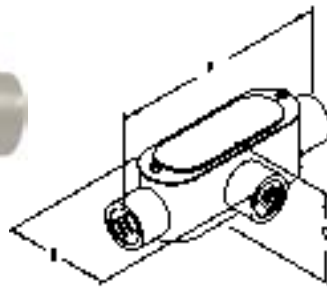
- Die cast aluminum
- Covers - Stamped aluminum
- Gasket - Neoprene rubber

Certifications & Compliances:

- UL Standard: 514A
- Fed. Spec. A-A-50563
- NEMA: FB-1
- UL Listed File # E208392



AT-CGKON
Cover & Gasket Included



Applications:

- To provide access to conductors for pulling, splicing and maintenance



Part Number	Trade Size	Dim A	Dim B	Dim C	Inner Pack	Master Pack	Weight Per 100 Pieces
	(in)	(in)	(in)	(in)			(lb)
Aluminum Die Cast Threaded T Conduit Bodies with Stamped Aluminum Cover and Neoprene Gasket							
AT1CGKON	1/2	4.750	2.063	1.625	10	100	29.4
AT2CGKON	3/4	5.563	2.250	1.875	10	50	44.9
AT3CGKON	1	6.438	2.625	2.125	5	25	63.3



FORM 5 MALLEABLE IRON CONDUIT BODIES

Allied Tube & Conduit

Table of Contents

↓ [Click below to view product section](#)

[Form 5 Malleable Iron Conduit Bodies \(Type LB\)](#)

[Form 5 Malleable Iron Conduit Body Covers](#)

[Form 5 Raised Dome, Natural Steel Conduit Body Covers](#)



Form 5 Malleable Iron Conduit Bodies

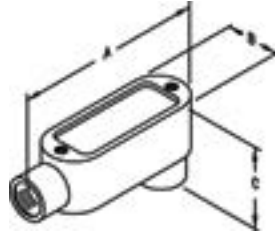
Form 5 Malleable Iron Conduit Bodies (Type LB)

Click brand for more product info ↓

[Allied Tube & Conduit](#)



MLBKON



Features:

- Tapered threaded hubs - NPT
- Suitable for use in concrete

Standard Materials:

- Malleable Iron/Ductile Iron

Standard Finish:

- Zinc plated with aluminum enamel paint

Certifications & Compliances:

- UL Standard: 514A
- Fed. Spec. W-C-586D
- NEMA: FB-1
- UL Listed File # E208392

Applications:

- To provide access to conductors for pulling, splicing and maintenance



Part Number	Trade Size	Dim A	Dim B	Dim C	Master Pack	Weight Per 100 Pieces
	(in)	(in)	(in)	(in)		(lb)
Threaded LB Conduit Bodies						
MLB2KON	3/4	5.375	1.500	2.250	10	96.7
MLB3KON	1	6.190	1.813	2.625	5	142.7
MLB4KON	1 1/4	8.125	2.625	2.750	5	287.3
MLB6KON	2	10.500	3.125	4.438	5	534.1

Form 5 Malleable Iron Conduit Bodies

Form 5 Malleable Iron Conduit Body Covers

Click brand for more product info ↓

[Allied Tube & Conduit](#)



1/2" through 2"



Features:

- Supplied with steel captive screws
- Sizes 2 1/2" thru 4" with raised dome affords additional wiring room

Standard Materials:

- Malleable Iron / Ductile Iron

Standard Finish:

- Zinc plated

Certifications & Compliances:

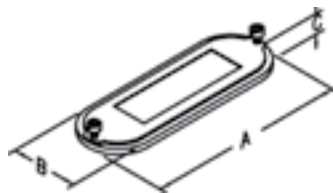
- UL Standard: 514A
- Fed. Spec. A-A-50563
- NEMA: FB-1
- UL Listed File # E208392

Applications:

- To cover conduit body opening



2 1/2" through 4"
Raised Dome affords additional wiring room



Part Number	Trade Size (in)	Dim A (in)	Dim B (in)	Dim C (in)	Master Pack	Weight Per 100 Pieces (lb)
CM4KON	1 1/4 - 1 1/2	7.188	2.500	0.313	50	91.3

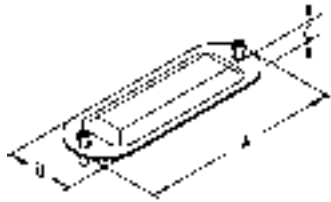
Form 5 Malleable Iron Conduit Bodies

Form 5 Raised Dome, Natural Steel Conduit Body Covers

Click brand for more product info
[Allied Tube & Conduit](#)



CKON



Features:

- Raised dome affords additional wiring room
- Captive steel screws

Standard Materials:

- Steel cover
- Stainless steel screws

Standard Finish:

- Steel covers-Zinc plate

Certifications & Compliances:

- UL Standard: 514A
- Fed. Spec. A-A-50563
- NEMA: FB-1
- UL Listed File # E208392

Applications:

- To cover conduit body opening



Part Number	Trade Size	Dim A	Dim B	Dim C	Master Pack	Weight Per 100 Pieces
	(in)	(in)	(in)	(in)		(lb)
C2KON	3/4	4.625	1.500	0.313	50	12.0



GRC FITTINGS

Allied Tube & Conduit
Calconduit

Table of Contents

↓ [Click below to view product section](#)

[Galvanized Rigid Conduit \(GRC\) Couplings](#)
[Galvanized Rigid Conduit \(GRC\) Nipples](#)

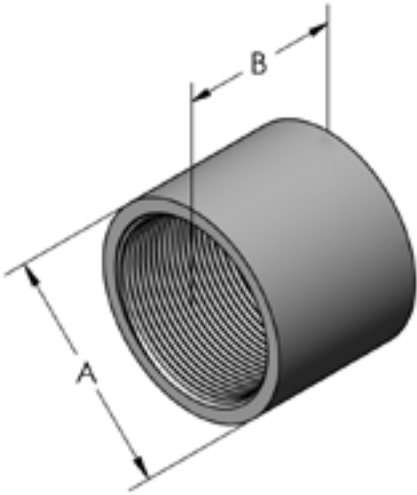


GRC Fittings

Galvanized Rigid Conduit (GRC) Couplings

[Click brand for more product info](#) ↓

[Allied Tube & Conduit](#)
[Calconduit](#)



Certifications & Compliances:

- Listed to Safety Standard UL 6
- Manufactured in accordance with ANSI C80.1



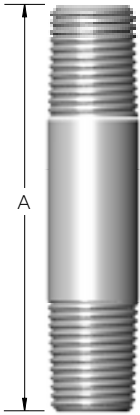
Part Number	Trade Size	Metric Designator	Nominal OD (A) ¹		Length (B) ¹		Threads Per Inch ¹	Approximate Weight Per 100 Pieces		Standard Package
			(in)	(mm)	(in)	(mm)		(lb)	(kg)	
904144	1/2	16	1.01	25.7	1 ⁵ / ₈	41.3	14	12	5.4	100
904145	3/4	21	1.25	31.8	1 ⁴¹ / ₆₄	41.7	14	18	8.2	50
904146	1	27	1.53	38.7	1 ³¹ / ₃₂	50.0	11 ¹ / ₂	30	13.6	30
904147	1 ¹ / ₄	35	1.87	47.5	2 ¹ / ₂	51.6	11 ¹ / ₂	37	16.8	25
904148	1 ¹ / ₂	41	2.16	54.7	2 ¹ / ₁₆	52.4	11 ¹ / ₂	52	23.6	25
904149	2	53	2.65	67.3	2 ¹ / ₈	54.0	11 ¹ / ₂	72	32.7	20
904150	2 ¹ / ₂	63	3.25	82.6	3 ³ / ₁₆	81.0	8	170	77.1	1
904151	3	78	3.87	98.3	3 ⁵ / ₁₆	84.1	8	210	95.3	1
904152	3 ¹ / ₂	91	4.50	114.3	3 ¹³ / ₃₂	86.5	8	340	154.2	1
904153	4	103	4.88	123.8	3 ³³ / ₆₄	89.3	8	300	136.1	1
904154	5	129	6.00	152.4	3 ⁶¹ / ₆₄	100.4	8	475	215.5	1
904155	6	155	7.20	182.9	4 ¹ / ₄	108.0	8	765	347.0	1

¹Minimum requirement as per UL Standard

GRC Fittings

Galvanized Rigid Conduit (GRC) Nipples

Click brand for more product info ↓
[Allied Tube & Conduit](#)
[Calconduit](#)



Certifications & Compliances:

- Listed to Safety Standard UL 6
- Manufactured in accordance with ANSI C80.1



Part Number	Trade Size	Metric Designator	Length (A)		Total Thread Length ¹		Threads Per Inch ¹	Approximate Weight Per 100 Pieces		Standard Package
			(in)	(mm)	(in)	(mm)		(lb)	(kg)	
1/2" GRC Nipples										
876600	1/2	16	(Close) 1 1/8	29	0.78	19.8	14	6	2.7	25
876601	1/2	16	1 1/2	38	0.78	19.8	14	8	3.6	25
876602	1/2	16	2	51	0.78	19.8	14	12	5.4	25
876603	1/2	16	2 1/2	64	0.78	19.8	14	15	6.8	25
876604	1/2	16	3	76	0.78	19.8	14	19	8.6	25
876606	1/2	16	4	102	0.78	19.8	14	26	11.8	25
876610	1/2	16	6	152	0.78	19.8	14	40	18.1	25
876612	1/2	16	8	203	0.78	19.8	14	54	24.5	25
876616	1/2	16	12	305	0.78	19.8	14	82	37.2	25
3/4" GRC Nipples										
876617	3/4	21	(Close) 1 3/8	35	0.79	20.1	14	9	4.1	25
876619	3/4	21	2	51	0.79	20.1	14	14	6.4	25
876620	3/4	21	2 1/2	64	0.79	20.1	14	19	8.6	25
876621	3/4	21	3	76	0.79	20.1	14	24	10.9	25
876622	3/4	21	3 1/2	89	0.79	20.1	14	28	12.7	25
876623	3/4	21	4	102	0.79	20.1	14	34	15.4	25
876625	3/4	21	5	127	0.79	20.1	14	43	19.5	25
876627	3/4	21	6	152	0.79	20.1	14	52	23.6	25
876629	3/4	21	8	203	0.79	20.1	14	73	33.1	25
876633	3/4	21	12	305	0.79	20.1	14	109	49.4	25

¹Minimum requirement as per UL Standard

Table continued on next page

GRC Fittings

Galvanized Rigid Conduit (GRC) Nipples

Click brand for more product info ↓
[Allied Tube & Conduit](#)
[Calconduit](#)

Part Number	Trade Size	Metric Designator	Length (A)		Total Thread Length ¹		Threads Per Inch ¹	Approximate Weight Per 100 Pieces		Standard Package
			(in)	(mm)	(in)	(mm)		(lb)	(kg)	
1" GRC Nipples										
876634	1	27	(Close) 1½	38	0.98	24.9	11½	16	7.3	25
876635	1	27	2	51	0.98	24.9	11½	22	10.0	25
876637	1	27	3	76	0.98	24.9	11½	36	16.3	25
876639	1	27	4	102	0.98	24.9	11½	49	22.2	25
876643	1	27	6	152	0.98	24.9	11½	78	35.4	25
876645	1	27	8	203	0.98	24.9	11½	109	49.4	25
876647	1	27	10	254	0.98	24.9	11½	138	62.6	25
876649	1	27	12	305	0.98	24.9	11½	166	75.3	25
1¼" GRC Nipples										
876650	1¼	35	(Close) 1⅝	41	1.01	25.7	11½	22	10.0	25
876651	1¼	35	2	51	1.01	25.7	11½	28	12.7	25
876653	1¼	35	3	76	1.01	25.7	11½	47	21.3	25
876655	1¼	35	4	102	1.01	25.7	11½	66	29.9	25
876659	1¼	35	6	152	1.01	25.7	11½	100	45.4	25
876665	1¼	35	12	305	1.01	25.7	11½	216	98.0	30
1½" GRC Nipples										
876666	1½	41	(Close) 1¾	44	1.03	26.2	11½	28	12.7	25
876667	1½	41	2	51	1.03	26.2	11½	34	15.4	25
876669	1½	41	3	76	1.03	26.2	11½	56	25.4	25
876671	1½	41	4	102	1.03	26.2	11½	80	36.3	25
876675	1½	41	6	152	1.03	26.2	11½	122	55.3	50
876680	1½	41	11	279	1.03	26.2	11½	238	108.0	25
876681	1½	41	12	305	1.03	26.2	11½	260	117.9	20
2" GRC Nipples										
876682	2	53	(Close) 2	51	1.06	26.9	11½	44	20.0	25
876683	2	53	2½	64	1.06	26.9	11½	59	26.8	25
876684	2	53	3	76	1.06	26.9	11½	72	32.7	25
876686	2	53	4	102	1.06	26.9	11½	103	46.7	40
876688	2	53	5	127	1.06	26.9	11½	132	59.9	40
876690	2	53	6	152	1.06	26.9	11½	160	72.6	30
876692	2	53	8	203	1.06	26.9	11½	220	99.8	20
876694	2	53	10	254	1.06	26.9	11½	285	129.3	20
876696	2	53	12	305	1.06	26.9	11½	335	152.0	15

¹Minimum requirement as per UL Standard

GRC Fittings

Galvanized Rigid Conduit (GRC) Nipples

Click brand for more product info ↓

[Allied Tube & Conduit](#)
[Calconduit](#)

Part Number	Trade Size	Metric Designator	Length (A)		Total Thread Length ¹		Threads Per Inch ¹	Approximate Weight Per 100 Pieces		Standard Package
			(in)	(mm)	(in)	(mm)		(lb)	(kg)	
2½" GRC Nipples										
876697	2½	63	(Close) 2¾	70	1.57	39.9	8	84	38.1	1
876698	2½	63	3	76	1.57	39.9	8	100	45.4	1
876700	2½	63	4	102	1.57	39.9	8	150	68.0	1
876704	2½	63	6	152	1.57	39.9	8	240	108.9	1
876706	2½	63	8	203	1.57	39.9	8	329	149.2	1
876710	2½	63	12	305	1.57	39.9	8	505	229.1	1
3" GRC Nipples										
876711	3	78	(Close) 2⅝	67	1.63	41.4	8	118	53.5	1
876714	3	78	4	102	1.63	41.4	8	200	90.7	1
876718	3	78	6	152	1.63	41.4	8	300	136.1	1
876720	3	78	8	203	1.63	41.4	8	411	186.4	1
876722	3	78	10	254	1.63	41.4	8	528	239.5	1
876724	3	78	12	305	1.63	41.4	8	630	285.8	1
3½" GRC Nipples										
876725	3½	91	(Close) 2¾	70	1.67	42.7	8	160	72.6	20
876726	3½	91	4	102	1.67	42.7	8	240	108.9	10
876730	3½	91	6	152	1.67	42.7	8	373	169.2	8
876732	3½	91	8	203	1.67	42.7	8	510	231.3	8
876736	3½	91	12	305	1.67	42.7	8	785	356.0	4
4" GRC Nipples										
876737	4	103	(Close) 2⅞	73	1.73	43.9	8	180	81.6	1
876738	4	103	4	102	1.73	43.9	8	285	129.3	1
876742	4	103	6	152	1.73	43.9	8	440	199.6	1
876744	4	103	8	203	1.73	43.9	8	600	272.2	1
876746	4	103	10	254	1.73	43.9	8	775	351.5	1
876748	4	103	12	305	1.73	43.9	8	925	419.6	1

¹Minimum requirement as per UL Standard



LIQUIDTIGHT FITTINGS

Allied Tube & Conduit

Table of Contents

↓ [Click below to view product section](#)

New Assembly Installation, Connector with Screw-On Ferrule over Liquidtight Conduit
90 Degree, Nonmetallic, Liquidtight Fitting
Screw-On, 45 Degree, Liquidtight Fitting
Screw-On, 90 Degree, Liquidtight Fitting
Screw-On, Straight, Liquidtight Fitting
Straight, Nonmetallic, Liquidtight Fitting



Liquidtight Fittings

New Assembly Installation, Connector with Screw-On Ferrule over Liquidtight Conduit

NEW Easy Assembly Installation Screw-On Type Liquidtight - No disassembly required

A. Slide conduit inside the fully assembled connector.



B. Turn the connector assembly or the conduit until the ferrule threads engage the spirals in the conduit. The tabs in the ferrule are locked inside the holes in the connector body, preventing the ferrule from turning. Tighten the nut against the connector.



PATENTED

*With the New
Easy Assembly Installation Liquidtight
Time and Money Can Be Saved!*

Old Style Assembly Installation

A. Slide nut over conduit



B. Slide compression ring over conduit



C. Thread ferrule inside the conduit.



D. Slide the conduit assembly inside the ferrule.



E. Slide compression nut and ring towards the connector.



F. Tighten the nut.



Liquidtight Fittings

90 Degree, Nonmetallic, Liquidtight Fitting

[Click brand for more product info](#)

[Allied Tube & Conduit](#)



Multi-Piece 90 Degree Connector



Features:

- Constructed from UV rated for long life
- No spin ferrule allows easy one piece assembly to conduit
- Internal gland provides positive seal when nut is tightened
- Polypropylene sealing ring assures tight seal between fitting and box

Certifications & Compliances:

- Contact manufacturer for further UL Listing information
- Suitable for use in the following hazardous locations under NEC, Class I, Division 2; Class II, Division 1 and 2; and Class III, Division 1 and 2

Applications:

- For use with Type B, nonmetallic conduit

Part Number	Trade Size	Dim A	Dim B	Dim C	Inner Pack	Master Pack	Weight Per C
	(in)	(in)	(in)	(in)			(lb)
NMLT-9050KON	½	2.242	0.562	2.375	10	50	8
NMLT-9075KON	¾	2.550	0.545	2.843	10	50	12
NMLT-90100KON	1	3.150	0.630	3.688	5	25	21
NMLT-90125KON	1 ¼	3.420	0.645	4.656	5	25	40

Liquidtight Fittings

Click brand for more product info ↓

[Allied Tube & Conduit](#)

Screw-On, 45 Degree, Liquidtight Fitting



Non-Insulated



Insulated



Features:

- No disassembly required for installation of LTQ
- Tapered threaded male hub - NPT
- Compact, slim diameter
- Liquidtight/Raintight/Oiltight
- Suitable for wet locations
- Long ferrule prevents pullout and tight bend conduit pop-out
- Use with Liquidtight Flexible Metal Conduit

Standard Materials:

- Malleable Iron
- Nylon
- Steel ferrule
- Steel locknut

Standard Finish:

- Zinc plated

Certifications & Compliances:

- UL Standard: 514B
- RoHS compliant
- Fed. Spec. A-A-50553
- NEMA: FB-1
- UL Listed File # E207875
- Suitable for use in the following hazardous locations under NEC, Class I, Division 2; Class II, Division 1 and 2; and Class III, Division 1 and 2

U.S. Patent No. 7.914.048
(Only Applicable 3/8" - 2")



Part Number	Trade Size (in)	Dim A (in)	Dim B (in)	Dim C (in)	Dim D (in)	Inner Pack	Master Pack	Weight Per C (lb)
45° Non-Insulated								
LTQ5045KON	1/2	2.00	0.50	1.25	1.50	—	25	27.1
LT30045KON*	3	8.44	1.06	4.88	5.38	—	1	859.8
LT40045KON*	4	11.75	1.25	6.06	6.88	—	1	1521.2

* Note: Standard Liquidtight Fitting

Liquidtight Fittings

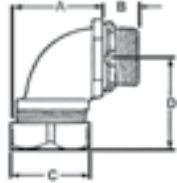
Screw-On, 90 Degree, Liquidtight Fitting

[Click brand for more product info](#)

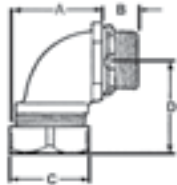
[Allied Tube & Conduit](#)



Non-Insulated



Insulated



Features:

- No disassembly required for installation of Screw-On Liquidtight
- Tapered threaded male hub - NPT
- Compact, slim diameter
- Liquidtight/Raintight/Oiltight
- Suitable for wet locations
- Long ferrule prevents pullout and tight bend conduit pop-out
- RoHS compliant
- Use with Liquidtight Flexible Metal Conduit

Standard Materials:

- Malleable Iron
- Nylon
- Steel ferrule
- Steel locknut

Standard Finish:

- Zinc plated

Certifications & Compliances:

- UL Standard: 514B
- Fed. Spec. A-A-50553
- NEMA: FB-1
- UL Listed File # E207875
- Suitable for use in the following hazardous locations under NEC, Class I, Division 2; Class II, Division 1 and 2; and Class III, Division 1 and 2

U.S. Patent No. 7.914.048
(Only Applicable 3/8" - 2")

Liquidtight Fittings

Screw-On, 90 Degree, Liquidtight Fitting

Click brand for more product info ↓
[Allied Tube & Conduit](#)



Part Number	Trade Size (in)	Dim A (in)	Dim B (in)	Dim C (in)	Dim D (in)	Inner Pack	Master Pack	Weight Per C (lb)
90° Non-Insulated								
LTQ5090KON	½	1.44	0.50	1.25	1.63	—	25	28.9
LTQ7590KON	¾	1.63	0.50	1.56	1.75	—	10	44.1
LTQ10090KON	1	2.31	0.63	1.81	2.13	—	10	74.5
LTQ12590KON	1 ¼	2.88	0.69	2.25	2.19	4	40	96.1
LTQ15090KON	1 ½	2.69	0.75	2.44	2.50	3	30	121.6
LTQ20090KON	2	3.19	0.75	3.00	2.88	2	20	176.4
LT30090KON*	3	9.50	1.13	4.88	9.50	—	1	1234.6
90° Insulated								
LTQ5090-ICKON	½	1.44	0.56	1.25	1.63	—	25	29.2
LTQ7590-ICKON	¾	1.63	0.56	1.56	1.75	—	10	44.6
LTQ10090-ICKON	1	2.31	0.69	1.81	2.13	—	10	75.3
LT25090-ICKON*	2 ½	8.30	1.06	4.06	7.88	—	1	846.1

* Note: Standard Liquidtight Fitting

Liquidtight Fittings

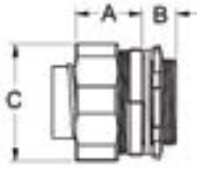
Screw-On, Straight, Liquidtight Fitting

[Click brand for more product info](#)

[Allied Tube & Conduit](#)



Non-Insulated

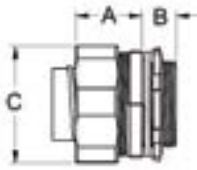


Features:

- No disassembly required for installation of LTQ (sizes 3/8" - 2")
- Tapered threaded male hub - NPT
- Compact, slim diameter
- Liquidtight/Raintight/Oiltight
- Suitable for wet locations
- Long ferrule prevents pullout and tight bend conduit pop-out
- RoHS compliant
- Use with Liquidtight Flexible Metal Conduit



Insulated



Standard Materials:

- Malleable Iron
- Nylon
- Steel ferrule
- Steel locknut

Standard Finish:

- Zinc plated

Certifications & Compliances:

- UL Standard: 514B
- Fed. Spec. A-A-50553
- NEMA: FB-1
- UL Listed File # E207875
- Suitable for use in the following hazardous locations under NEC, Class I, Division 2; Class II, Division 1 and 2; and Class III, Division 1 and 2

U.S. Patent No. 7.914.048

Liquidtight Fittings

Screw-On, Straight, Liquidtight Fitting

Click brand for more product info ↓
[Allied Tube & Conduit](#)



Part Number	Trade Size (in)	Dim A (in)	Dim B (in)	Dim C (in)	Master Pack	Weight Per C (lb)
Non-Insulated						
LTQ50KON	½	1.25	0.50	1.25	25	17.6
LTQ75KON	¾	1.25	0.50	1.56	25	28.7
LTQ100KON	1	1.44	0.63	1.81	5	39.7
LTQ125KON	1 ¼	1.50	0.69	2.25	5	55.1
LTQ150KON	1 ½	1.63	0.75	2.44	2	70.5
LTQ200KON	2	1.75	0.75	3.00	1	99.2
LT250KON*	2 ½	2.19	1.06	4.06	5	363.8
LT300KON*	3	2.50	1.13	4.88	5	456.4
LT400KON*	4	3.00	1.25	6.06	5	789.2
Insulated						
LTQ50-ICKON	½	1.25	0.56	1.25	25	17.8
LTQ75-ICKON	¾	1.25	0.56	1.56	25	28.9
LTQ125-ICKON	1 ¼	1.50	0.75	2.25	5	55.7
LT250-ICKON*	2 ½	2.19	1.06	4.06	5	367.4
LT300-ICKON*	3	2.50	1.25	4.88	5	460.9
LT400-ICKON*	4	3.00	1.38	6.06	5	797.1

Liquidtight Fittings

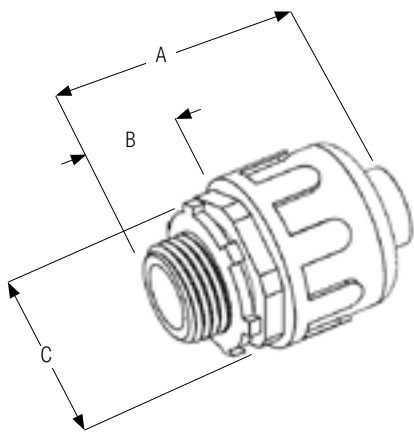
Straight, Nonmetallic, Liquidtight Fitting

[Click brand for more product info](#)

[Allied Tube & Conduit](#)



Straight Multi-Piece Connector



Features:

- Constructed from UV rated for long life
- No spin ferrule allows easy one piece assembly to conduit
- Internal gland provides positive seal when nut is tightened
- Polypropylene sealing ring assures tight seal between fitting and box

Certifications & Compliances:

- Contact manufacturer for further UL Listing information
- Suitable for use in the following hazardous locations under NEC, Class I, Division 2; Class II, Division 1 and 2; and Class III, Division 1 and 2

Applications:

- For use with Type B, nonmetallic conduit



Part Number	Trade Size	Dim A	Dim B	Dim C	Inner Pack	Master Pack	Weight Per C
	(in)	(in)	(in)	(in)			(lb)
NMLT-50KON	1/2	1.545	0.535	1.406	25	100	6
NMLT-75KON	3/4	1.593	0.550	1.593	10	50	9
NMLT-100KON	1	1.975	0.670	1.906	5	25	14
NMLT-125KON	1 1/4	2.293	0.645	2.438	5	25	27
NMLT-150KON	1 1/2	2.175	0.660	2.688	2	10	32
NMLT-200KON	2	2.438	0.670	3.375	2	10	44



MISCELLANEOUS FITTINGS

Allied Tube & Conduit

Table of Contents

↓ [Click below to view product section](#)

[Carbon Steel Conduit Hangers](#)
[Lay-in Grounding Lugs](#)



Miscellaneous Fittings

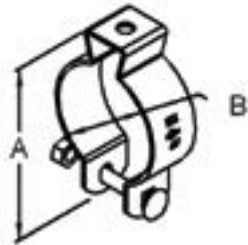
Click brand for more
product info ↓

[Allied Tube & Conduit](#)

Carbon Steel Conduit Hangers



Carbon Steel



Features:

- HCS/HSS Furnished With Nut and Bolt
- Used on RMC, IMC, EMT, Rigid PVC Conduits

Standard Materials:

- Carbon steel

Standard Finish:

- Zinc plated (HCS)

Certifications & Compliances:

- UL Standard: 2239
- UL Listed File # E213669



Carbon Steel

Part Number	Trade Size (in)	Dim A (in)	Dim B (in)	Load Rating (lb)	Inner Pack	Master Pack	Bolt Size	Weight Per C (lb)
HCS0KON	½	1.875	0.813	50	100	500	¼-20	8.1
HCS1KON	¾	2.188	1.000	50	-	100	¼-20	8.8
HCS2KON	1	2.438	1.250	60	-	100	¼-20	10.6
HCS25KON	1 ¼	2.875	1.500	75	-	100	¼-20	12.5
HCS5KON	2	3.375	2.313	100	-	50	¼-20	18.8

Miscellaneous Fittings

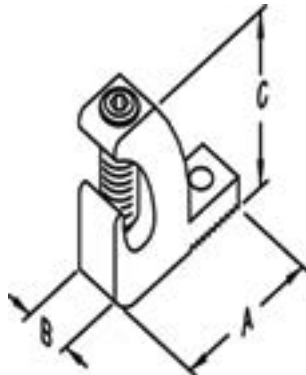
Click brand for more product info ↓

[Allied Tube & Conduit](#)

Lay-in Grounding Lugs



Aluminum Lugs



4/14AL and 1/0 - 8AL furnished with slotted screw. 3/0 - 6AL and 250MCM - 6AL furnished with hex head screw

Features:

- Each lug takes a range of cable sizes
- Heavy-duty slotted or hex head screw
- Aluminum lay-in lugs are suitable for use with copper or aluminum conductors
- Copper lay-in lugs are suitable for use with copper or aluminum conductors

Standard Materials:

- Aluminum or Copper

Standard Finish:

- Aluminum lug - Zinc plated
- Copper lug - Natural

Certifications & Compliances:

- UL Standard: 467
- Fed. Spec. A-A-50552
- NEMA: FB-1
- UL Listed File # E212551



Part Number	Lug Size	Dim A	Dim B	Dim C	Master Pack	Weight Per C
		(in)	(in)	(in)		(lb)
Aluminum Lugs						
250MCM-6ALKON^	250MCM-6	2.188	0.813	1.688	50	18.8

^ Not UL Certified



PVC FITTINGS

Allied Tube & Conduit
Heritage Plastics
Queen City Plastics

Table of Contents

↓ [Click below to view product section](#)

- Introduction
- Access Fittings
- Adapters
- Cement/Primer
- Couplings
 - Expansion Couplings, Two Piece
 - Long Line Couplings
 - Repair Sleeve Couplings
 - Swedge Couplings
- Duct Spacers
- End Bells

Table Of Contents continued on next page



Table of Contents (continued)

↓ [Click below to view product section](#)

[End Caps](#)

[Junction Box Adapters](#)

[Junction Boxes](#)

[Meter Offsets](#)

[Plugs](#)

[Reducer Bushings](#)

[Riser](#)

[Riser Extender](#)

[Service Entrance Heads](#)

[Two-Hole Pipe Straps](#)

PVC Fittings

We offer a complete line of rigid PVC conduit, utility duct, and fittings which have proven durable and effective for years of maintenance free performance in underground, encased and exposed applications.

What are typical applications?

- Residential, Commercial and Industrial
- Transportation and Highway
- Airports and Marinas
- Cable, Data and Communication Lines
- Utilities

What are advantages of PVC?

- Corrosion Resistant
- Long Life
- Impact Resistant
- Labor Savings
- Lightweight
- Non Magnetic
- Self Extinguishing
- Non Galvanic

Are Schedule 80 and 40 electrical conduit and fabricated fittings suited for direct sunlight?

Schedule 40 and 80 conduit and fabricated fittings are “Sunlight Resistant” in accordance with UL 651. Refer to the Atkore Sunlight Exposure Technical Bulletin on the website for additional information.

Part Number Guide

Fittings

4" Coupling

CP40

Product

Trade Size



PVC Fittings

Access Fittings

Click brand for more product info ↓

[Allied Tube & Conduit](#)
[Heritage Plastics](#)
[Queen City Plastics](#)



Type LB



Type T



Type LR



Type LL



Type E



Type C



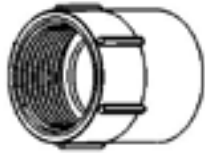
Trade Size	Part Number					Package Quantity	
	LB	T	LR	LL	C		T Only
½	LB05	T05	—	—	—	25	25
¾	LB07	T07	—	—	—	15	15
1	LB10	T10	—	—	—	10	10
1¼	LB12	—	—	—	—	10	10
1½	LB15	—	LR15	LL15	—	10	10
2	LB20	T20	LR20	LL20	—	5	5
2½	LB25	—	—	—	—	5	2
3	LB30	—	—	—	—	5	2
3½	LB35	—	—	—	—	4	—
4	LB40	—	LR40	—	—	—	—

PVC Fittings

Adapters

Click brand for more product info ↓

[Allied Tube & Conduit](#)
[Heritage Plastics](#)
[Queen City Plastics](#)



Female Adapters



Terminal Adapters



Part Number	Trade Size	Package Quantity
Female Adapters		
FA05	½	200
FA07	¾	125
FA10	1	70
FA12	1¼	40
FA15	1½	30
FA20	2	40
FA25	2½	20
FA30	3	40
FA35	3½	30
FA40	4	20
FA50	5	10
FA60	6	8
FA80	8	2
Terminal Adapters		
TA05	½	200
TA07	¾	125
TA10	1	70
TA12	1¼	40
TA15	1½	30
TA20	2	40
TA25	2½	20
TA30	3	40
TA35	3½	30
TA40	4	20
TA50	5	10
TA60	6	8
TA80	8	2

*8 inch products are not included in UL 651

PVC Fittings

Cement, Primer

Click brand for more product info ↓

[Allied Tube & Conduit](#)
[Heritage Plastics](#)
[Queen City Plastics](#)



Part Number	Type	Size	Package Quantity
Cement			
CEMCR10	Regular Body - Clear	Pint	12
CEMCR20	Regular Body - Clear	Quart	12
CEMC10	Medium Body - Clear	Pint	12
CEMC20	Medium Body - Clear	Quart	12
CEMG20	Medium Body - Gray	Quart	12
CWC20	All Weather - Clear	Quart	12
Primer			
PRMP20	Purple	Quart	12

Product availability may vary by region

PVC Fittings

Couplings

Click brand for more product info ↓

[Allied Tube & Conduit](#)
[Heritage Plastics](#)
[Queen City Plastics](#)



Part Number	Trade Size	Package Quantity
CP05	1/2	200
CP07	3/4	125
CP10	1	70
CP12	1 1/4	40
CP15	1 1/2	30
CP20	2	40
CP25	2 1/2	20
CP30	3	40
CP35	3 1/2	30
CP40	4	20
CP50	5	10
CP60	6	8
CP80	8*	1

*8 inch products are not included in UL 651
 Conforms to NEMA TC-3

PVC Fittings

Expansion Couplings, Two Piece

Click brand for more product info ↓

[Allied Tube & Conduit](#)
[Heritage Plastics](#)
[Queen City Plastics](#)



Part Number	Trade Size	Package Quantity
EJ20	2	10
EJ25	2½	9
EJ30	3	9
EJ40	4	5
EJ60	6	1

Product availability may vary by region

Long Line Couplings

Click brand for more product info ↓

[Allied Tube & Conduit](#)
[Heritage Plastics](#)
[Queen City Plastics](#)



Part Number	Trade Size	Package Quantity
LLC20	2	20
LLC25	2½	25
LLC30	3	25
LLC40	4	15
LLC60	6	4

*Some diameters may be fabricated causing product appearance to vary.

PVC Fittings

Repair Sleeve Couplings

Click brand for more product info ↓

[Allied Tube & Conduit](#)
[Heritage Plastics](#)
[Queen City Plastics](#)



Part Number	Trade Size	Length (in)	Package Quantity
40REC2012	2	12	30
40REC2512	2½	12	30
40REC3012	3	12	25
40REC40	4	8	30
40REC4012	4	12	15
40REC5012	5	12	15
40REC6012	6	12	10

Product availability may vary by region

Swedge Couplings

Click brand for more product info ↓

[Allied Tube & Conduit](#)
[Heritage Plastics](#)
[Queen City Plastics](#)



Part Number	Trade Size	Package Quantity
Schedule 40		
40SWC20	2	50
40SWC25	2½	30
40SWC30	3	30
40SWC40	4	30
40SWC60	6	10

Product availability may vary by region

PVC Fittings

Duct Spacers

Click brand for more product info ↓

[Allied Tube & Conduit](#)
[Heritage Plastics](#)
[Queen City Plastics](#)



Trade Size	Part Number	Package Quantity	Part Number	Package Quantity
2 x 2	IV2020	300	BV2020	225
2 x 3	IV2030	200	BV2030	225
3 x 2	—	—	BV3020	155
3 x 3	IV3030	125	BV3030	150
4 x 2	IV4020	125	BV4020	140
4 x 3	IV4030	125	BV4030	120
5 x 2	IV5020	100	—	—
5 x 3	IV5030	80	BV5030	100
6 x 3	IV6030	70	BV6030	95

Product appearance may vary by region
 Product availability may vary by region

PVC Fittings

End Bells

Click brand for more product info ↓

[Allied Tube & Conduit](#)
[Heritage Plastics](#)
[Queen City Plastics](#)



Part Number	Trade Size	Package Quantity
MEB07	¾	100
MEB10	1	50
MEB12	1¼	50
MEB15	1½	50
MEB20	2	40
MEB25	2½	30
MEB30	3	50
MEB35	3½	50
MEB40	4	50
MEB50	5	25
MEB60	6	15
MEB80	8	1

Product availability may vary by region

PVC Fittings

Click brand for more product info ↓

End Caps

[Allied Tube & Conduit](#)
[Heritage Plastics](#)
[Queen City Plastics](#)



Part Number	Trade Size	Package Quantity
EC05	½	200
EC07	¾	150
EC10	1	100
EC12	1¼	40
EC15	1½	40
EC20	2	20
EC25	2½	15
EC30	3	10
EC35	3½	25
EC40	4	12
EC50	5	5
EC60	6	10
EC80	8	1

Product availability may vary by region

PVC Fittings

Junction Box Adapters

Click brand for more product info ↓

[Allied Tube & Conduit](#)
[Heritage Plastics](#)
[Queen City Plastics](#)



Part Number	Trade Size	Package Quantity
JBA05	1/2	100
JBA07	3/4	100
JBA10	1	100
JBA12	1 1/4	50
JBA15	1 1/2	50
JBA20	2	25
JBA25	2 1/2	10
JBA30	3	10
JBA35	3 1/2	10
JBA40	4	10

Product availability may vary by region

PVC Fittings

Junction Boxes

Click brand for more product info ↓

[Allied Tube & Conduit](#)
[Heritage Plastics](#)
[Queen City Plastics](#)



Trade Size	Part Number	Package Quantity
Brass Screw Inserts		
4x4x2	JB442	15
4x4x4	JB444	10
4x4x6	JB446	8
5x5x2	JB552	12
6x6x4	JB664	15
6x6x6	JB666	4
8x8x4	JB884	4
8x8x7	JB887	4
12x12x4	JB12124	2
12x12x6	JB12126	4
12x12x8	JB12128	3

Product appearance may vary by region
 Product availability may vary by region

PVC Fittings

Meter Offsets

Click brand for more product info ↓

[Allied Tube & Conduit](#)
[Heritage Plastics](#)
[Queen City Plastics](#)



Part Number	Trade Size	Length (in)	Offset (in)	Package Quantity
M012	1¼	—	—	50
M020	2	—	—	25
OS403001040	3	10	4	5

Product availability may vary by region

Plugs

Click brand for more product info ↓

[Allied Tube & Conduit](#)
[Heritage Plastics](#)
[Queen City Plastics](#)



Tapered Plug

Part Number	Trade Size	Package Quantity
UTP20	2	100
UTP25	2½	100
UTP30	3	80
UTP40	4	50
UTP60	6	30

Product availability may vary by region

PVC Fittings

Reducer Bushings

Click brand for more product info ↓

[Allied Tube & Conduit](#)
[Heritage Plastics](#)
[Queen City Plastics](#)



Part Number	Trade Size	Package Quantity
MR0705	¾ x ½	100
MR1007	1 x ¾	100
MR1210	1¼ x 1	50
MR1512	1½ x 1¼	50
MR2015	2 x 1½	25
MR2520	2½ x 2	15
MR3020	3 x 2	25
MR3025	3 x 2½	15
MR4030	4 x 3	10

Product availability may vary by region

Riser

Click brand for more product info ↓

[Allied Tube & Conduit](#)
[Heritage Plastics](#)
[Queen City Plastics](#)

Part Number	Trade Size	Length (in)	Package Quantity
Schedule 40			
RTHR40200	2	6	140
RTHR40250	2½	6	93
RTHR40300	3	6	88

PVC Fittings

Riser Extender

Click brand for more product info ↓

[Allied Tube & Conduit](#)
[Heritage Plastics](#)
[Queen City Plastics](#)

Part Number	Trade Size	Angle (Bell-End)	Package Quantity
Schedule 40			
REXT4020022	2	22½°	50
REXT4025022	2½	22½°	50

Service Entrance Heads

Click brand for more product info ↓

[Allied Tube & Conduit](#)
[Heritage Plastics](#)
[Queen City Plastics](#)



Part Number	Trade Size	Package Quantity
MH20	2	5
MH25	2½	2
MH30	3	2
MH40	4	2

Product availability may vary by region

PVC Fittings

Two-Hole Pipe Straps

Click brand for more product info ↓

[Allied Tube & Conduit](#)
[Heritage Plastics](#)
[Queen City Plastics](#)



Part Number	Trade Size	Package Quantity
PS05	1/2	400
PS07	3/4	200
PS10	1	200
PS12	1 1/4	200
PS15	1 1/2	200
PS20	2	200
PS25	2 1/2	100
PS30	3	100
PS40	4	100



PVC COATED FITTINGS

Allied Tube & Conduit
Calbond

Table of Contents

↓ [Click below to view product section](#)

- Conduit Bodies - Form 7
- Conduit Bodies - Form 7 Aluminum
- Conduit Bodies - Form 8
- Conduit Bodies - Mark 9 Aluminum
- ST Conduit Hubs
- STG Conduit Hubs
- Aluminum Rigid Couplings
- Reducing Couplings
- Rigid Couplings

Table of Contents continued on next page



Table of Contents (continued)

↓ [Click below to view product section](#)

- PVC Coated Device Boxes
 - FD Device Boxes
 - FDC Device Boxes
 - FS Device Boxes
- PVC Coated Expansion Fittings
 - XJG Expansion Joints
- PVC Coated Liquidtight Connectors
 - Straight Liquidtight Connectors
 - 45 Degree Liquidtight Connectors
 - 90 Degree Liquidtight Connectors
- PVC Coated Nipples
- PVC Coated Sealing Fittings
 - EYS Female Hubs
- PVC Coated Strut & Strut Straps
 - PVC Coated Right Angle Clamps
 - PVC Coated Strut Straps
 - PVC Coated Strut
- PVC Coated Strut Accessories
 - Mini Hangers
 - Pipe Straps & Clamp Back Spacers
- UNF Unions
- UNY Unions
- PVC Coated Tools & Accessories
 - Touch Up Compound
 - Half Shell Conduit Clamp

PVC Coated Conduit Bodies

[Click brand for more product info](#) ↓

[Allied Tube & Conduit](#)
[Calbond](#)

Conduit Bodies - Form 7

Features:

- Exterior PVC coating thickness is a minimum 0.040"
- Interior urethane coating thickness is a minimum 0.002"
- Specialized corrosion resistant coating provided on threads
- Fittings are supplied with plastic encapsulated stainless steel screws

Standards:

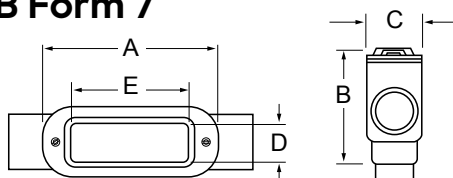
- UL Standard 514B
- CSA Standard: C22.2 No. 18

Applications:

- Full line of Form 7 PVC Coated Conduit Bodies
- Conduit Bodies are installed in conduit systems to act as pull outlets for conductors being installed, provide openings for making splices in conductors, and to provide access to conductors for maintenance and future system changes
- All fittings are supplied with PVC coated cast iron covers
- The sleeved threaded ends offer complete protection against corrosion while maintaining full ground continuity throughout the installed system



LB Form 7



Part Number	Trade Size	Metric Size	A	B	C	D	E	Weight / 100
	(in)	(mm)	(in)	(in)	(in)	(in)	(in)	(lb)
PV0700LB27	¾	21	5.98	2.54	1.60	1.13	3.81	170
PV1000LB37	1	27	7.01	2.92	1.79	1.38	4.50	220
PV1500LB57	1½	41	8.67	3.73	2.48	1.94	5.44	380
PV2000LB67	2	53	10.17	4.29	3.04	2.44	6.38	520

All dimensions are for informational purposes only *Tolerances +/- 5%

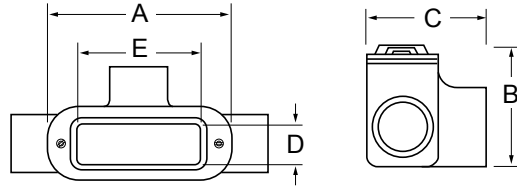
PVC Coated Conduit Bodies

Conduit Bodies - Form 7

[Click brand for more product info](#) ↓

[Allied Tube & Conduit Calbond](#)

T Form 7



Part Number	Trade Size	Metric Size	A	B	C	D	E	Weight / 100
	(in)	(mm)	(in)	(in)	(in)	(in)	(in)	(lb)
PV0700T27	¾	21	7.75	2.04	2.67	1.13	3.81	210
PV1000T37	1	27	9.25	2.29	3.04	1.38	4.50	290

All dimensions are for informational purposes only *Tolerances +/- 5%

Conduit Bodies - Form 7 Cover

[Click brand for more product info](#) ↓

[Allied Tube & Conduit Calbond](#)

Part Number	Trade Size
	(in)
PV0700270F	¾

All dimensions are for informational purposes only *Tolerances +/- 5%

PVC Coated Conduit Bodies

Click brand for more product info ↓

[Allied Tube & Conduit](#)
[Calbond](#)

Conduit Bodies - Form 7 Aluminum

Features:

- Exterior PVC coating thickness is a minimum 0.040"
- Interior urethane coating thickness is a minimum 0.002"
- Specialized corrosion resistant coating provided on threads
- Sizes available are ½" to 3"
- Fittings are supplied with plastic encapsulated stainless steel screws

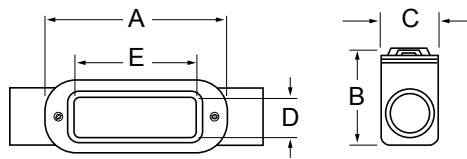
Standards:

- UL Standard 514B
- CSA Standard: C22.2 No. 18

Applications:

- Full line of Form 7 PVC Coated Aluminum Conduit Bodies
- Conduit Bodies are installed in conduit systems to act as pull outlets for conductors being installed, provide openings for making splices in conductors, and to provide access to conductors for maintenance and future system changes
- All fittings are supplied with PVC coated cast aluminum covers
- The sleeved threaded ends offer complete protection against corrosion while maintaining full ground continuity throughout the installed system

C Form 7 Aluminum



Part Number	Trade Size	Metric Size	A	B	C	D	E
	(in)	(mm)	(in)	(in)	(in)	(in)	(in)
PA0700C27SA	¾	21	7.50	1.67	1.64	1.13	3.81

All dimensions are for informational purposes only *Tolerances +/- 5%

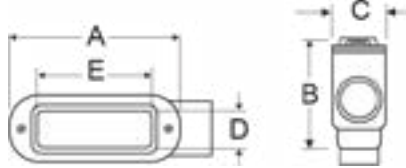
PVC Coated Conduit Bodies

Conduit Bodies - Form 7 Aluminum

Click brand for more product info ↓

[Allied Tube & Conduit](#)
[Calbond](#)

LB Form 7 Aluminum

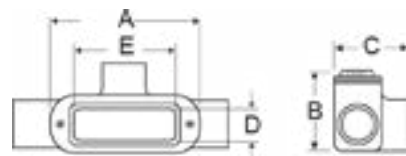


Part Number	Trade Size	Metric Size	A	B	C	D	E
	(in)	(mm)	(in)	(in)	(in)	(in)	(in)
PA0700LB27SA	¾	21	5.98	2.54	1.60	1.13	3.81

All dimensions are for informational purposes only *Tolerances +/- 5%



T Form 7 Aluminum



Part Number	Trade Size	Metric Size	A	B	C	D	E
	(in)	(mm)	(in)	(in)	(in)	(in)	(in)
PA0700T27SA	¾	21	7.75	2.04	2.67	1.13	3.81

All dimensions are for informational purposes only *Tolerances +/- 5%

PVC Coated Conduit Bodies

[Click brand for more product info](#) ↓

[Allied Tube & Conduit Calbond](#)

Conduit Bodies - Form 8

Features:

- Exterior PVC coating thickness is a minimum 0.040"
- Interior urethane coating thickness is a minimum 0.002"
- Specialized corrosion resistant coating provided on threads
- Fittings are supplied with plastic encapsulated stainless steel screws

Standards:

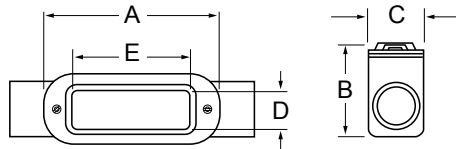
- UL Standard 514B
- UL Listed File # E307133
- CSA Standard: C22.2 No. 18
- Verified NEMA 4X Rated

Applications:

- Full line of Form 8 PVC Coated Conduit Bodies
- All fittings are supplied with PVC coated cast iron covers
- The sleeved threaded ends offer complete protection against corrosion while maintaining full ground continuity throughout the installed system



C Form 8



Part Number	Trade Size	Metric Size	A	B	C	D	E	Weight / 100
	(in)	(mm)	(in)	(in)	(in)	(in)	(in)	(lb)
PV0700C28	3/4	21	7.78	1.73	1.27	1.19	3.94	230
PV1000C38	1	27	9.31	1.98	1.83	1.38	4.56	280

All dimensions are for informational purposes only *Tolerances +/- 5%

PVC Coated Conduit Bodies

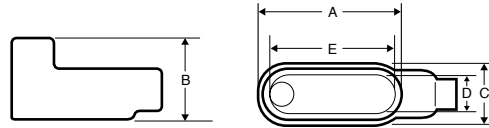
Conduit Bodies - Form 8

Click brand for more product info ↓

[Allied Tube & Conduit](#)
[Calbond](#)



LB Form 8

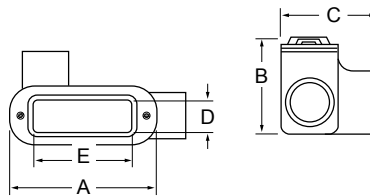


Part Number	Trade Size	Metric Size	A	B	C	D	E	Weight / 100
	(in)	(mm)	(in)	(in)	(in)	(in)	(in)	(lb)
PV0700LB28	¾	21	6.35	2.48	1.60	1.19	3.94	200
PV1000LB38	1	27	7.51	2.85	1.79	1.38	4.56	290
PV1500LB58	1½	41	10.67	4.07	2.79	2.13	6.50	650
PV2000LB68	2	53	13.04	4.85	3.79	3.00	8.56	829

All dimensions are for informational purposes only *Tolerances +/- 5%



LL Form 8



Part Number	Trade Size	Metric Size	A	B	C	D	E	Weight / 100
	(in)	(mm)	(in)	(in)	(in)	(in)	(in)	(lb)
PV0700LL28	¾	21	6.35	1.73	2.35	1.19	3.94	210

All dimensions are for informational purposes only *Tolerances +/- 5%

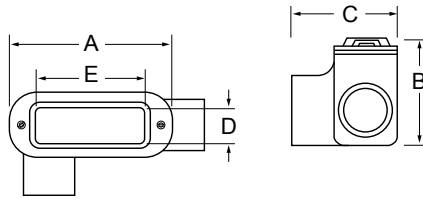
PVC Coated Conduit Bodies

Conduit Bodies - Form 8

[Click brand for more product info](#) ↓

[Allied Tube & Conduit Calbond](#)

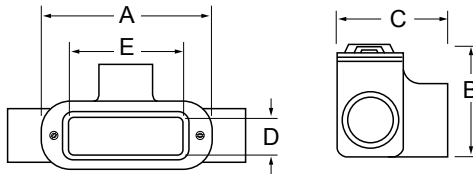
LR Form 8



Part Number	Trade Size	Metric Size	A	B	C	D	E	Weight / 100
	(in)	(mm)	(in)	(in)	(in)	(in)	(in)	(lb)
PV0700LR28	¾	21	6.35	1.73	2.35	1.19	3.94	210

All dimensions are for informational purposes only *Tolerances +/- 5%

T Form 8



Part Number	Trade Size	Metric Size	A	B	C	D	E	Weight / 100
	(in)	(mm)	(in)	(in)	(in)	(in)	(in)	(lb)
PV0700T28	¾	21	2.50	2.04	2.35	1.19	3.94	250
PV1000T38	1	27	3.30	2.29	2.67	1.38	4.56	330
PV1500T58	1½	41	7.50	2.82	4.04	2.13	6.50	750
PV2000T68	2	53	11.70	3.60	5.04	3.00	8.56	1,170

All dimensions are for informational purposes only *Tolerances +/- 5%

PVC Coated Conduit Bodies

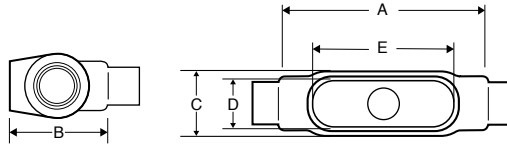
Conduit Bodies - Form 8

Click brand for more product info ↓

[Allied Tube & Conduit](#)
[Calbond](#)



TB Form 8

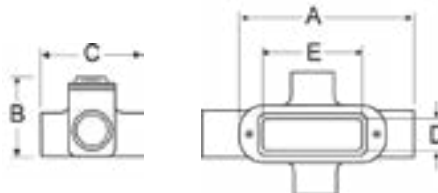


Part Number	Trade Size	Metric Size	A	B	C	D	E	Weight / 100
	(in)	(mm)	(in)	(in)	(in)	(in)	(in)	(lb)
PV0700TB28	3/4	21	7.78	3.79	1.64	1.19	3.94	230
PV1000TB38	1	27	9.31	4.17	1.83	1.38	4.56	310

All dimensions are for informational purposes only *Tolerances +/- 5%



X Form 8



Part Number	Trade Size	Metric Size	A	B	C	D	E	Weight / 100
	(in)	(mm)	(in)	(in)	(in)	(in)	(in)	(lb)
PV2000X68	2	53	16.25	10.25	3.60	3.00	8.56	1,170

All dimensions are for informational purposes only *Tolerances +/- 5%

Conduit Bodies - Form 8 Cover

Click brand for more product info ↓

[Allied Tube & Conduit](#)
[Calbond](#)

Part Number	Trade Size
	(in)
PV0700280F	3/4

All dimensions are for informational purposes only *Tolerances +/- 5%

PVC Coated Conduit Bodies

Conduit Bodies - Mark 9 Aluminum

[Click brand for more product info](#) ↓

[Allied Tube & Conduit Calbond](#)

Features:

- Exterior PVC coating thickness is a minimum 0.040"
- Interior urethane coating thickness is a minimum 0.002"
- Specialized corrosion resistant coating provided on threads
- Fittings are supplied with plastic encapsulated stainless steel screws

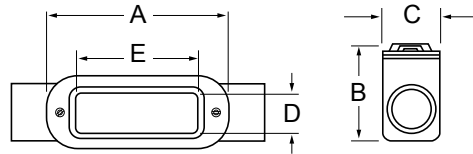
Standards:

- UL Standard 514B
- CSA Standard: C22.2 No. 18

Applications:

- Full line of Mark 9 PVC Coated Aluminum Conduit Bodies
- All fittings are supplied with PVC coated aluminum covers
- The sleeved threaded ends offer complete protection against corrosion while maintaining full ground continuity throughout the installed system

C Mark 9 Aluminum



Aluminum Part Number	Trade Size	Metric Size	A	B	C	D	E
	(in)	(mm)	(in)	(in)	(in)	(in)	(in)
PA4000C1089	4	103	20.75	5.73	6.33	5.44	13.44

All dimensions are for informational purposes only *Tolerances +/- 5%

PVC Coated Conduit Hubs

ST Conduit Hubs

[Click brand for more product info](#) ↓

[Allied Tube & Conduit Calbond](#)



Features:

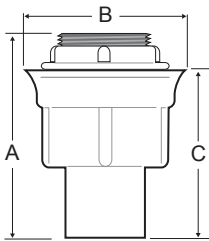
- Exterior PVC coating thickness is a minimum 0.040"
- Interior urethane coating thickness is a minimum 0.002"
- ST available in 12 trade sizes from ½" through 6"
- Sealing sleeves on conduit side of hub
- The length of the sleeve extension(s) shall be at least equivalent to the nominal conduit size for sizes ½"- 2"
- For sizes 2½"- 6", the length of the sleeve extension(s) shall be at least 2"

Standards:

- UL Listed File #E308159
- NEC/CEC:
 - Class I, Division 2,
 - Class II, Division 1 & 2
 - Class III, Division 1 & 2
 - Class I, Zone 1, AEx e II
 - Class I, Zone 1, Ex e II
- All Screw-tight Hubs are manufactured in accordance with NEMA type enclosures 2, 3, 3R, 4, 4x, 11 and 12

Applications:

- PVC Coated ST Conduit Hubs are used to terminate conduit runs into electrical enclosures
- PVC coating and internal urethane coating provide for superior corrosion protection
- Electrical continuity is maintained across assembled joints



Part Number	Trade Size	A	B	C	Max Wall Thickness	Weight Per 100
	(in)	(in)	(in)	(in)	(in)	(lb)
PV0500ST1	½	1.84	2.00	1.31	0.125	20
PV0700ST2	¾	2.22	2.25	1.66	0.125	30
PV1000ST3	1	2.66	2.50	2.03	0.125	40
PV1200ST4	1¼	2.94	3.25	2.28	0.125	40
PV1500ST5	1½	3.19	3.50	2.53	0.125	60
PV2000ST6	2	3.75	4.25	3.09	0.125	120
PV2500ST7	2½	4.22	4.75	3.28	0.125	150
PV3000ST8	3	4.31	5.25	3.38	0.125	210
PV4000ST10	4	4.44	6.25	3.50	0.125	350

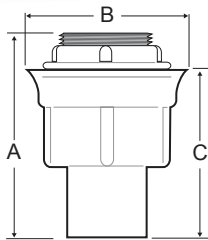
All dimensions are for informational purposes only *Tolerances +/- 5%

PVC Coated Conduit Hubs

ST Aluminum Conduit Hubs

[Click brand for more product info](#) ↓

[Allied Tube & Conduit](#)
[Calbond](#)



Features:

- Exterior PVC coating thickness is a minimum 0.040"
- Interior urethane coating thickness is a minimum 0.002"
- ST available in 12 trade sizes from ½" through 6"
- Sealing sleeves on conduit side of hub
- The length of the sleeve extension(s) shall be at least equivalent to the nominal conduit size for sizes ½" - 2"
- For sizes 2 ½" - 6", the length of the sleeve extension(s) shall be at least 2"

Standards:

- NEC/CEC:
 - Class I, Division 2,
 - Class II, Division 1 & 2
 - Class III, Division 1 & 2
 - Class I, Zone 1, AEx e II
 - Class I, Zone 1, Ex e II
- All Screw-tight Hubs are manufactured in accordance with NEMA type enclosures 2, 3, 3R, 4, 4x, 11 and 12

Applications:

- PVC Coated Aluminum ST Conduit Hubs are used to terminate conduit runs into electrical enclosures
- PVC coating and internal urethane coating provide for superior corrosion protection
- Electrical continuity is maintained across assembled joints

Part Number	Trade Size	A	B	C	Max Wall Thickness
	(in)	(in)	(in)	(in)	(in)
PA2000STA6	2	3.75	4.25	3.09	0.125

All dimensions are for informational purposes only *Tolerances +/- 5%

PVC Coated Conduit Hubs

[Click brand for more product info](#) ↓

[Allied Tube & Conduit](#)
[Calbond](#)

STG Conduit Hubs



Features:

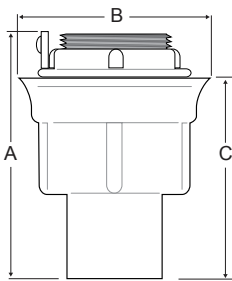
- Exterior PVC coating thickness is a minimum 0.040"
- Interior urethane coating thickness is a minimum 0.002"
- STG available in 12 trade sizes from ½" through 6"
- Molded PVC gasket seals flush with enclosure wall
- Neoprene O-ring gasket provides additional seal
- The length of the sleeve extension(s) shall be at least equivalent to the nominal conduit size for sizes ½"- 2"
- For sizes 2 ½"- 6", the length of the sleeve extension(s) shall be at least 2"

Standards:

- UL File#E352416
- NEC/CEC:
 - Class I, Division 2,
 - Class II, Division 1 & 2
 - Class III, Division 1 & 2
 - Class I, Zone 1, AEx e II
 - Class I, Zone 1, Ex e II
- All Screw-tight Hubs are manufactured in accordance with NEMA type enclosures 2, 3, 3R, 4, 4x, 11 and 12
- Grounding and Bonding Hubs are manufactured in accordance with NEMA Enclosures 2, 3, 3R, 4 and 12

Applications:

- PVC Coated STG Conduit Hubs are used to terminate conduit runs into electrical enclosures
- STG Conduit hubs feature a grounding lug on the locknut
- PVC coating and internal urethane coating provide for superior corrosion protection
- Electrical continuity is maintained across assembled joints



Part Number	Trade Size	A	B	C	Max Wall Thickness	Weight Per 100
	(in)	(in)	(in)	(in)	(in)	(lb)
PV1000STG3	1	2.66	2.50	2.03	0.125	40
PV1200STG4	1¼	2.94	3.25	2.28	0.125	40

All dimensions are for informational purposes only *Tolerances +/- 5%

PVC Coated Couplings

Aluminum Rigid Couplings

[Click brand for more product info](#) ↓

[Allied Tube & Conduit](#)
[Calbond](#)



Features:

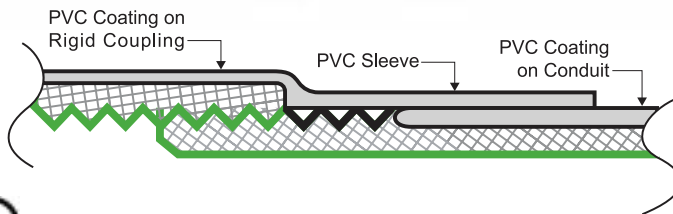
- Exterior PVC coating thickness is a minimum 0.040"
- Interior urethane coating thickness is a minimum 0.002"
- Sealing sleeves on both ends
- All couplings have straight threads (not tapered)
- 6063 T1 Aluminum Rigid Couplings

Standards:

- UL6A Listed File # E230584

Applications:

- PVC Coated Rigid Aluminum Couplings are used to couple two lengths of conduit
- PVC Coated Rigid Couplings are supplied with PVC sleeves on both ends to ensure corrosion protection for the entire system



Part Number	Trade Size	Metric Size	Length of Metal	Threads per Inch	Weight per 100	Box Qty
	(in)	(mm)	(in)		(lb)	
PA0700CP00	¾	21	1.532	14	90	90
PA1000CP00	1	27	1.906	11½	75	75
PA2000CP00	2	53	1.937	11½	30	30
PA4000CP00	4	103	3.188	8	11	11

All dimensions are for informational purposes only *Tolerances +/- 5%

PVC Coated Couplings

[Click brand for more product info](#) ↓

[Allied Tube & Conduit](#)
[Calbond](#)

Reducing Couplings



Features:

- Exterior PVC coating thickness is a minimum 0.040"
- Interior urethane coating thickness is a minimum 0.002"
- Sizes available are 3/4" to 1/2" to 3"
- The length of the sleeve extension(s) shall be at least equivalent to the nominal conduit size for sizes 1/2" - 2"
- For sizes 2-1/2" - 2-1/2" to 3", the length of the sleeve extension(s) shall be at least 2"
- Sealing sleeves extender 1 pipe diameter or 2 inches, whichever is greater, beyond all female openings

Standards:

- National Electric Code/ CEC
 - REC 21 - 01210
 - Class I, Division 1 & 2, Groups A, B, C, D
 - Class III
- UL Standard: 886
- CSA Standard: C22.2 No. 30

Applications:

- PVC Coated Reducing Couplings are used to join conduit and fittings of different sizes
- They are provided with different size sleeves to match the fittings thread sizes

Part Number	Trade Size (in)	Weight per 100 (lb)
PV2000REC603	2 - 1	230

All dimensions are for informational purposes only *Tolerances +/- 5%

PVC Coated Couplings

[Click brand for more product info](#) ↓

[Allied Tube & Conduit](#)
[Calbond](#)

Rigid Couplings



Features:

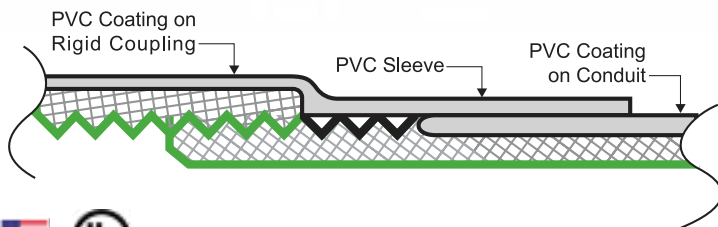
- Exterior PVC coating thickness is a minimum 0.040"
- Interior urethane coating thickness is a minimum 0.002"
- Sealing sleeves on both ends
- All couplings have straight threads (not tapered)
- Galvanized Rigid Couplings

Standards:

- Ferrous electrical conduit with PVC coating:
UL File # DYJC.E226472

Applications:

- PVC Coated Rigid Couplings are used to couple two lengths of conduit
- PVC Coated Rigid Couplings are supplied with PVC sleeves on both ends to ensure corrosion protection for the entire system



Part Number	Trade Size	Metric Size	Length of Metal	Threads per Inch	Weight per 100	Box Quantity
	(in)	(mm)	(in)		(lb)	
PV0500CP00	½	16	1.500	14	19	100
PV0700CP00	¾	21	1.532	14	32	90
PV1000CP00	1	27	1.906	11½	40	75
PV1200CP00	1¼	35	1.906	11½	50	42
PV1500CP00	1½	41	1.906	11½	69	38
PV2000CP00	2	53	1.937	11½	93	30
PV2500CP00	2½	63	2.878	8	123	17
PV3000CP00	3	78	3.031	8	217	14
PV4000CP00	4	103	3.188	8	391	11

All dimensions are for informational purposes only *Tolerances +/- 5%

PVC Coated Device Boxes

Click brand for more product info ↓

[Allied Tube & Conduit](#)
[Calbond](#)

FD Device Boxes



Features:

- Exterior PVC coating thickness is a minimum 0.040"
- Interior urethane coating thickness is a minimum 0.002"
- Sizes available are ½" to 1"
- Sealing sleeves on all conduit openings
- Modified boxes are available upon request
- All available covers are supplied with PVC coating

Standards:

- UL Listed Standard 514B File #E307133
- CSA Standard: C22.2 No. 18

Applications:

- Type FD PVC Coated Device Boxes offer corrosion protection to conduit systems and accommodates wiring devices and access for taps and splices
- Covers are available separately
- Electrical continuity of the conduit system is maintained across assembled system



Part Number	Trade Size (in)	Weight per 100 (lb)	A (in)	B (in)	C (in)	D (in)	Aluminum Part Number
Single Gang							
PV0700FD2	¾	2.80	1.630	1.920	2.690	0.790	PA0700FD2SA

All dimensions are for informational purposes only *Tolerances +/- 5%

PVC Coated Device Boxes

[Click brand for more product info](#) ↓

[Allied Tube & Conduit](#)
[Calbond](#)

FDC Device Boxes



Features:

- Exterior PVC coating thickness is a minimum 0.040"
- Interior urethane coating thickness is a minimum 0.002"
- Sizes available are ½" to 1"
- Sealing sleeves on all conduit openings
- Modified boxes are available upon request
- All available covers are supplied with PVC coating

Standards:

- UL Listed Standard 514B, File # 307133
- CSA Standard: C22.2 No. 18

Applications:

- Type FDC PVC Coated Device Boxes and Covers offer corrosion protection to conduit systems and accommodates wiring devices and access for taps and splices
- Covers are available separately
- Electrical continuity of the conduit system is maintained across assembled system



Part Number	Trade Size (in)	Weight per 100 (lb)	A (in)	B (in)	C (in)	D (in)	Aluminum Part Number
PV0700FDC2	¾	280	1.630	1.920	2.690	0.790	PA0700FDC2SA

All dimensions are for informational purposes only *Tolerances +/- 5%

PVC Coated Device Boxes

Click brand for more product info ↓

[Allied Tube & Conduit](#)
[Calbond](#)

FS Device Boxes



Features:

- Exterior PVC coating thickness is a minimum 0.040"
- Interior urethane coating thickness is a minimum 0.002"
- Sizes available are ½" to 1"
- Sealing sleeves on all conduit openings
- Modified boxes are available upon request
- All available covers are supplied with PVC coating

Standards:

- UL Listed Standard 514B File #E307133
- CSA Standard: C22.2 No. 18

Applications:

- Type FS PVC Coated Device Boxes offer corrosion protection to conduit systems and accommodates wiring devices and access for taps and splices
- Covers are available separately
- Electrical continuity of the conduit system is maintained across assembled system



Part Number	Trade Size (in)	Weight per 100 (lb)	A (in)	B (in)	C (in)	D (in)	Aluminum Part Number
Single Gang							
PV0700FS2	¾	3.30	1.630	1.920	1.690	0.790	PA0700FS2SA

All dimensions are for informational purposes only *Tolerances +/- 5%

PVC Coated Expansion Fittings

XJG Expansion Joints

Click brand for more product info ↓

[Allied Tube & Conduit](#)
[Calbond](#)



Features:

- 40 mil PVC black coating
- 2 mil urethane interior coating
- Available in 9 trade sizes from 3/4" through 4"
- Sealing sleeves

Standards:

- XJG EXPANSION JOINTS - 4" TRAVEL: Product Dimensions

Applications:

- PVC Coated XJG Expansion Joints features an internal bonding jumper and facilitates horizontal movement of the conduit system of up to 4"
- PVC coating and internal urethane coating provide for superior corrosion protection
- Electrical continuity is maintained across assembled joints

Galvanized Part Number	Trade Size	A	B	Nominal Weight (Galv.)
	(in)	(in)	(in)	(lb)
PV0700XJG24	3/4	2.20	8.25	2.9

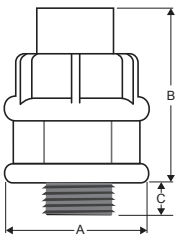
All dimensions are for informational purposes only *Tolerances +/- 5%

PVC Coated Liquidtight Connectors

Straight Liquidtight Connectors

[Click brand for more product info](#) ↓

[Allied Tube & Conduit Calbond](#)



Features:

- Exterior PVC coating thickness is a minimum 0.040"
- Sizes available are ¾" to 4"
- The length of the sleeve extension(s) shall be at least equivalent to the nominal conduit size for sizes ½"- 2"
- For sizes 2½"- 4", the length of the sleeve extension(s) shall be at least 2"
- Available in straight, 45 degree or 90 degree body configurations

Standards:

- UL Standard 514B
- CSA Standard: C22.2 No. 18

Applications:

- PVC Coated Liquidtight Connectors are used with Liquidtight Conduit to terminate the conduit run
- The sleeve on the liquidtight connector is sized specifically to tighten around PVC conduit
- Pulling compound is recommended for ease of installation
- Fittings are provided with a flexible sleeve on the conduit side and a sealing form on both the box side and the mating part of the gland

Straight

Part Number	Trade Size	A	B	C	Weight per 100
	(in)	(in)	(in)	(in)	(lb)
PV0500LT50	½	1.46	2.06	0.56	20
PV0700LT75	¾	1.74	2.38	0.56	30
PV1000LT100	1	1.96	3.06	0.75	40
PV2000LT200	2	3.33	5.06	0.88	170
PV2500LT250	2 ½	3.83	6.13	1.00	300

All dimensions are for informational purposes only *Tolerances +/- 5%

PVC Coated Liquidtight Connectors

45 Degree Liquidtight Connectors

[Click brand for more product info](#) ↓

[Allied Tube & Conduit](#)
[Calbond](#)



Features:

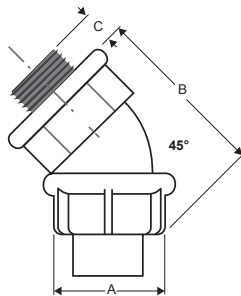
- Exterior PVC coating thickness is a minimum 0.040"
- Sizes available are ½" to 4"
- The length of the sleeve extension(s) shall be at least equivalent to the nominal conduit size for sizes ½" - 2"
- For sizes 2½" - 4", the length of the sleeve extension(s) shall be at least 2"
- Available in straight, 45 degree or 90 degree body configurations

Standards:

- UL Standard 514B
- CSA Standard: C22.2 No. 18

Applications:

- PVC Coated Liquidtight Connectors are used with Liquidtight Conduit to terminate the conduit run
- The sleeve on the liquidtight connector is sized specifically to tighten around PVC conduit
- Pulling compound is recommended for ease of installation
- Fittings are provided with a flexible sleeve on the conduit side and a sealing form on both the box side and the mating part of the gland



45°

Part Number	Trade Size	A	B	C	Weight per 100
	(in)	(in)	(in)	(in)	(lb)
PV0500LT5045	½	1.46	2.38	0.56	30

All dimensions are for informational purposes only *Tolerances +/- 5%

PVC Coated Liquidtight Connectors

90 Degree Liquidtight Connectors

[Click brand for more product info](#) ↓

[Allied Tube & Conduit](#)
[Calbond](#)



Features:

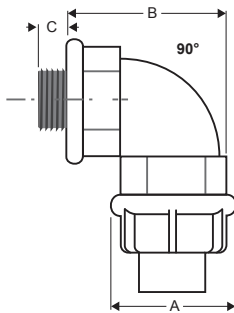
- Exterior PVC coating thickness is a minimum 0.040"
- Sizes available are ½" to 4"
- The length of the sleeve extension(s) shall be at least equivalent to the nominal conduit size for sizes ½" - 2"
- For sizes 2½" - 4", the length of the sleeve extension(s) shall be at least 2"
- Available in straight, 45 degree or 90 degree body configurations

Standards:

- UL Standard 514B
- CSA Standard: C22.2 No. 18

Applications:

- PVC Coated Liquidtight Connectors are used with Liquidtight Conduit to terminate the conduit run
- The sleeve on the liquidtight connector is sized specifically to tighten around PVC conduit
- Pulling compound is recommended for ease of installation
- Fittings are provided with a flexible sleeve on the conduit side and a sealing form on both the box side and the mating part of the gland



90°

Part Number	Trade Size	A	B	C	Weight per 100 (lb)
	(in)	(in)	(in)	(in)	
PV0500LT5090	½	1.46	2.10	0.56	30
PV0700LT7590	¾	1.74	2.54	0.56	40
PV1000LT10090	1	1.96	3.23	0.75	50

All dimensions are for informational purposes only *Tolerances +/- 5%

PVC Coated Nipples

[Click brand for more product info](#) ↓

[Allied Tube & Conduit](#)
[Calbond](#)

Nipples



Features:

- Exterior PVC coating thickness is a minimum 0.040"
- Interior Urethane coating thickness is a minimum 0.002"
- Sizes available are ½" to 6"
- Color coded threaded protectors for easy identification of conduit size

Standards:

- UL/CUL listed in accordance to UL6 & ANSI C80.1 Standards
- UL/CUL listed rigid ferrous metal conduit with polyvinyl chloride coating verified for PVC adhesion performance
- Complies with NEMA RN 1
- UL File # E226472 & E230584

Applications:

- PVC Coated Nipples are available in all lengths and diameters
- All nipples are manufactured from PVC coated conduit



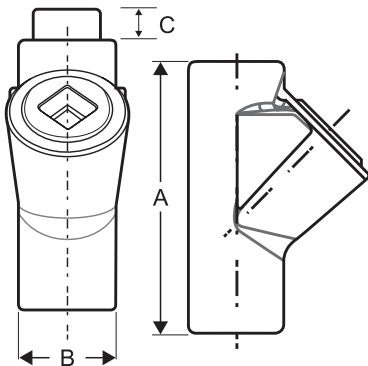
Part Number	Trade Size	Length	Weight each
	(in)	(in)	(lb)
PV0712CN00	¾ x 12	12	1.12
PV1040CN00	1 x 4	4	0.56
PV1012CN00	1 X 12	12	1.68
PV1212CN00	1¼ X 12	12	2.16
PV1512CN00	1½ x 12	12	2.64
PV2012CN00	2 x 12	12	3.60
PV3012CN00	3 x 12	12	7.08
PV4012CN00	4 x 12	12	12.00
PV6012CN00	6 x 12	12	16.80

PVC Coated Sealing Fittings

EYS Female Hubs

[Click brand for more product info](#) ↓

[Allied Tube & Conduit](#)
[Calbond](#)



Features:

- Exterior PVC coating thickness is a minimum 0.040"
- Interior Urethane coating thickness is a minimum 0.002"
- Sizes available are ½" to 4"
- The length of the sleeve extension(s) shall be at least equivalent to the nominal conduit size for sizes ½" - 2"
- For sizes 2 ½" - 4", the length of the sleeve extension(s) shall be at least 2"
- Sealing sleeve is provided on plug hub (patching compound recommended on top of plug)
- Mating sealing forms are provided on all caps
- Sealing sleeves on all conduit openings

Standards:

- NEC/CEC:
 - EYD-11-101, 116-1016 Class I, Division 1 & 2, Groups B, C, D Class III
 - EYD1-10, 16-106 Class I, Division 1 & 2, Groups C, D Class III
 - EZD10-60, 111-611 Class I, Division 1 & 2, Groups C, D Class III
- UL Standard: 1203
- CSA Standard: C22.2

Applications:

- PVC Coated Sealing Fittings are used in hazardous locations to prevent flame and gas from continuing to travel through the conduit system
- PVC coating provides corrosion protection
- A sealing compound should be used on the interior after wiring
- Compound supplied by the original fitting manufacturer

Part Number	Trade Size	Weight per 100 (lb)	A	B	Turning Radius
	(in)		(in)	(in)	
For Sealing in Vertical or Horizontal Positions					
PV0700EYS21	¾	110	3.69	1.58	1.25
PV0700EYS2	¾	150	3.75	1.58	1.91
PV1000EYS3	1	210	4.31	1.83	2.38
PV2000EYS6	2	470	6.25	3.08	2.31

PVC Coated Strut & Strut Straps

PVC Coated Right Angle Clamps

[Click brand for more product info](#) ↓

[Allied Tube & Conduit](#)
[Calbond](#)



Features:

- Exterior PVC coating thickness is a minimum 0.040"
- Interior Urethane coating thickness is a minimum 0.002"

Part Number	Trade Size	Part Weight	Standard Package Quantity
	(in)	(lb/each)	
PV0700RAC75HD	¾	0.60	10

PVC Coated Strut Straps

[Click brand for more product info](#) ↓

[Allied Tube & Conduit](#)
[Calbond](#)



Features:

- 20 mil black PVC exterior coating
- 11 Trade sizes ½" to 5"

Applications:

- PVC Coated Strut Straps are used with coated strut to support conduit installations in a variety of configurations
- Straps may be used in either vertical or horizontal positions to support conduit
- Straps provided with stainless steel hardware
- Conduit spacing may be as close together as allowed by the couplings

Part Number	Trade Size	Gauge	Part Weight	Standard Package Quantity
	(in)		(lb/each)	
PV0700B2009	¾	14	0.15	50
PV1000B2010	1	14	0.18	50
PV1200B2011	1 ¼	12	0.23	50
PV1500B2012	1½	12	0.22	50
PV2000B2013	2	12	0.40	25
PV3000B2015	3	12	0.39	25

PVC Coated Strut & Strut Straps

Click brand for more
product info ↓

[Allied Tube & Conduit](#)
[Calbond](#)

PVC Coated Strut



Features:

- Exterior PVC coating thickness is a minimum 0.02"
- 2 trade sizes and 5 standard styles

Applications:

- PVC Coated Strut is a versatile system of structural elements that can be used to build supports for a variety of applications used in mechanical and electrical installations
- Offered in 5 standard styles of strut: Solid, Back to Back, Slotted, Solid Shallow and Slotted Shallow



Solid Shallow



Back to Back



Slotted Shallow

Part Number	Trade Size	Strut Style	Part Weight	Standard Pack
	(in)		(lb/ft)	
PV0000B22	1 5/8 x 1 5/8	Standard	2.00	200
PV0000B22SH	1 5/8 x 1 5/8	Slotted	1.85	50
PV0000B52SH	1 5/8 x 7/8	Slotted Shallow	1.30	500

PVC Coated Strut Accessories

[Click brand for more product info](#) ↓

[Allied Tube & Conduit Calbond](#)

Mini Hangers



Features:

- 20 mil black PVC exterior coating
- 10 trade sizes ½" to 4"
- Specifically sized to fit PVC Coated Conduit
- Includes stainless steel carriage bolt

Applications:

- PVC Coated Mini Hangers are used to hang conduit or cables in corrosive environments
- Constructed of galvanized steel and coated with 20 mils of PVC to protect from corrosion

Part Number	Trade Size	Weight / 100
	(in)	(lb)
PV0700MH00	¾	0.10

All dimensions are for informational purposes only *Tolerances +/- 5%

[Click brand for more product info](#) ↓

[Allied Tube & Conduit Calbond](#)

Pipe Straps & Clamp Back Spacers

Features:

- Exterior PVC coating thickness is a minimum 0.020"
- Sizes available are ½" to 4"

Applications:

- PVC Coated Pipe Straps are used to securely mount conduit to a wall or other structure for support
- They are available in two styles: one-hole malleable iron strap or two-hole stamped steel strap
- Clamp backs are used to space the conduit from a wall or structure



1 HOLE MALLEABLE STRAPS

Part Number	Trade Size	Weight / 100
	(in)	(lb)
PV07001S00	¾	14
PV10001S00	1	17



CLAMP BACK

Part Number	Trade Size	Weight / 100
	(in)	(lb)
PV0700CB2	¾	10
PV1000CB3	1	10

All dimensions are for informational purposes only *Tolerances +/- 5%

PVC Coated Unions

[Click brand for more product info](#) ↓

[Allied Tube & Conduit](#)
[Calbond](#)

UNF Unions



Features:

- Exterior PVC coating thickness is a minimum 0.040"
- Interior Urethane coating thickness is a minimum 0.002"
- Sizes available are ½" to 6"
- The length of the sleeve extension(s) shall be at least equivalent to the nominal conduit size for sizes ½" - 2"
- For sizes 2½" - 6", the length of the sleeve extension(s) shall be at least 2"
- A sealing form is provided between the mating surfaces of the unions

Standards:

- NEC/CEC:
 - UNF 105-305 Class I, Division 1 & 2, Groups A, B, C, D Class III
 - UNF 905-1005 Class I, Division 1 & 2, Groups B, C, D Class III
 - UNF All Sizes Class I, Division 1 & 2, Groups C, D Class III
- UL Standard: 1203
- CSA Standard: C22.2 NO. 30

Applications:

- PVC Coated Unions are used in conduit connections when the conduit cannot be turned
- PVC Coated unions are provided with two sealing sleeves and a sealing form in the mating joint

Part Number	Trade Size (in)	Weight per 100 (lb)	Length (in)	Max Diameter (in)
PV0700UNF205	¾	50	3.25	1.89
PV1000UNF305	1	70	4.00	1.96
PV1500UNF505	1 ½	230	5.63	3.14
PV2000UNF605	2	360	6.56	3.89
PV4000UNF1005	4	1,000	8.13	6.27

PVC Coated Unions

UNY Unions

[Click brand for more product info](#) ↓

[Allied Tube & Conduit](#)
[Calbond](#)



Features:

- Exterior PVC coating thickness is a minimum 0.040"
- Interior Urethane coating thickness is a minimum 0.002"
- Sizes available are ½" to 6"
- The length of the sleeve extension(s) shall be at least equivalent to the nominal conduit size for sizes ½" - 2"
- For sizes 2 ½" - 6", the length of the sleeve extension(s) shall be at least 2"
- A sealing form is provided between the mating surfaces of the unions

Standards:

- NEC/CEC:
 - UNY 105-305 Class I, Division 1 & 2, Groups A, B, C, D Class III
 - UNY 905-1005 Class I, Division 1 & 2, Groups B, C, D Class III
 - UNY All Sizes Class I, Division 1 & 2, Groups C, D Class III
- UL Standard: 1203
- CSA Standard: C22.2 NO. 30

Applications:

- PVC Coated Unions are used in conduit connections when the conduit cannot be turned
- PVC Coated unions are provided with two sealing sleeves and a sealing form in the mating joint
- For PVC Coated UNY, we provide a UNF with a close nipple

Part Number	Trade Size (in)	Weight per 100 (lb)	Length (in)	Max Diameter (in)
PV0700UNY205	¾	70	3.94	1.89

PVC Coated Tools & Accessories

Touch Up Compound

[Click brand for more product info](#) ↓

[Allied Tube & Conduit Calbond](#)



Part Number	Description	Size
PV-Touchup-Black-PT	Black Touch-Up Compound with Brush Top	1 Pint
PV-Touchup-Spray	12 oz. Spray Exterior Black Touch-Up Compound	12 oz.

Half Shell Conduit Clamp

[Click brand for more product info](#) ↓

[Allied Tube & Conduit Calbond](#)



Part Number	Description
PV0520HS-CLPSET	1/2" thru 2" Half Shell Clamp Set



Table of Contents

↓ [Click below to view product section](#)

[Conduit Nipples for Rigid Conduit & IMC](#)

[Insulated Conduit Bushings 150°C with Aluminum Lugs for Threaded Rigid Conduit & IMC](#)

[Insulated Threadless Bushings 150°C with Aluminum Lug for Rigid Conduit & IMC](#)

[Insulated Threadless Bushings 150°C Insulated for Threadless Rigid Conduit & IMC](#)

[J-Clamp for Rigid Conduit & IMC](#)

[Rigid Compression Connectors for Threadless Rigid Conduit & IMC](#)

[Set Screw Rigid Connectors Threadless for Rigid Conduit & IMC](#)

[Set Screw Rigid Couplings Threadless for Rigid Conduit & IMC](#)

[Split Couplings for Threaded Rigid Conduit & IMC](#)

Table of Contents continued on next page



Rigid Fittings - Table of Contents

↓ [Click below to view product section](#)

Aluminum Locknuts

Universal Super Fitting™ 3 Piece Coupling Raintight

Universal Super Fitting™ 3 Piece Coupling

Universal Super Fitting™ 5 Piece Coupling Raintight

Universal Super Fitting™ 5 Piece Coupling

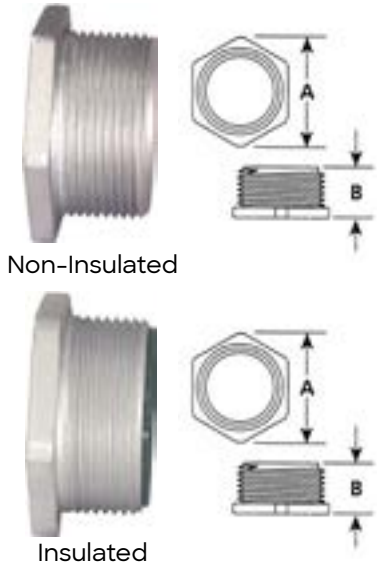
Universal Super Fitting™ Connector

Universal Super Fitting™ Connector Raintight

Rigid Fittings

Conduit Nipples for Rigid Conduit & IMC

[Click brand for more product info](#)
[Allied Tube & Conduit](#)



Features:

- Threaded NPSM for Rigid conduit and IMC
- RoHS compliant

Standard Materials:

- Steel in 1/2" size
- Insulator: Nylon
- Malleable Iron / Ductile Iron 3/4" - 6"

Standard Finish:

- Zinc plated

Certifications & Complies:

- UL Standard: 514B
- Fed. Spec. A-A-50553
- NEMA: FB-1
- UL Listed File # E207875

Applications:

- Use through knockout to connect box to conduit coupling
- Use with a locknut to connect two boxes side by side or back to back
- Use with a locknut to connect fixture housing to continuous runs



Part Number	Trade Size (in)	Dim A (in)	Dim B (in)	Inner Pack	Master Pack	Weight Per C (lb)
Non-Insulated						
N150KON	1 1/2	2.313	1.125	-	25	28.7
N200KON	2	2.875	1.250	-	25	37.5

Rigid Fittings

Insulated Conduit Bushings 150°C with Aluminum Lugs for Threaded Rigid Conduit & IMC

Click brand for more product info ↓
[Allied Tube & Conduit](#)



Features:

- The plastic liner won't chip, crack, swell or shrink. It resists corrosion, chemicals and temperature extremes
- One set screw provided with each fitting locks bushing in any desired position
- UL Listed for use with copper or aluminum grounding conductors
- RoHS compliant

Standard Materials:

- Body - Malleable Iron / Ductile Iron
- Lug - Aluminum
- Insuliner - PEI rated at 150° C
- Clamping screw - Steel
- Set screw - Steel

Standard Finish:

- Body - zinc plated
- Lug - aluminum
- Clamping screw - zinc plated
- Set screw - zinc plated

Certifications & Compliances:

- UL Standard: 467
- UL Standard: 514B
- Fed. Spec. A-A-50553A
- NEMA: FB-1
- UL Listed File # E212551

U.S. Patent No. 6.808.181



Part Number	Trade Size (in)	Lug Size	Dim A (in)	Dim B (in)	Inner Pack	Master Pack	Weight Per C (lb)
BRC-75-1AKON	¾	4-14	1.250	0.688	50	250	10.7
BRC-100-1AKON	1	4-14	1.625	0.750	50	250	15.1
BRC-150-1AKON	1 ½	4-14	2.313	0.813	25	125	22.8

Rigid Fittings

[Click brand for more product info](#)

[Allied Tube & Conduit](#)

Insulated Threadless Bushings 150°C with Aluminum Lug for Rigid Conduit & IMC

Standard Finish:

- Body - zinc plated
- Lug - aluminum

Certifications & Compliances:

- UL Standard: 467
- UL Standard: 514B
- Fed. Spec. A-A-50533A
- NEMA: FB-1
- UL Listed File # E212551

U.S. Patent No. 6.808.181

Features:

- The plastic liner won't chip, crack, swell or shrink. It resists corrosion, chemicals and temperature extremes
- Two set screws provided with each fitting locks bushing in any desired position
- UL Listed for use with copper or aluminum grounding conductors
- RoHS compliant

Standard Materials:

- Body -Malleable Iron / Ductile Iron
- Lug - aluminum
- Insuliner - PEI rated at 150° C
- Clamping screw - steel
- Set screw - steel



Part Number	Trade Size (in)	Lug Size	Dim A (in)	Dim B (in)	Inner Pack	Master Pack	Weight Per C (lb)
BRC-600S-3AKON^	6	3/0-6	7.188	1.188	—	5	200.5

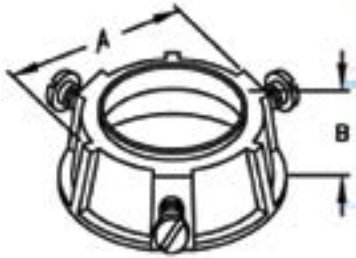
^ 5" and 6" are NOT UL approved

Rigid Fittings

Click brand for more product info ↓

[Allied Tube & Conduit](#)

Insulated Threadless Bushings 150°C Insulated for Threadless Rigid Conduit & IMC



Features:

- The plastic liner won't chip, crack, swell or shrink. It resists corrosion, chemicals and temperature extremes
- Three set screws provided with each fitting locks bushing in any desired position
- RoHS compliant

Standard Materials:

- Body - Malleable Iron / Ductile Iron
- Insuliner - PEI rated at 150° C
- Set screws - Steel

Standard Finish:

- Body - Set Series - Zinc Plated

Certifications & Compliances:

- UL Standard: 514B
- Fed. Spec. A-A-50553-A
- NEMA: FB-1
- UL Listed File # E207875

U.S. Patent No. 6.808.181

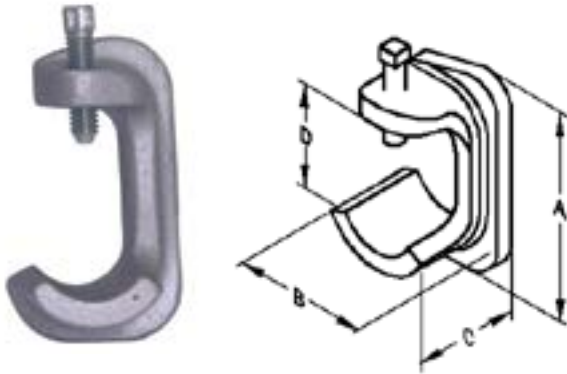


Part Number	Trade Size (in)	Dim A (in)	Dim B (in)	Inner Pack	Master Pack	Weight Per C (lb)
BRC-600SKON	6	7.188	1.188	-	5	184.1

Rigid Fittings

J-Clamp for Rigid Conduit & IMC

Click brand for more product info ↓
[Allied Tube & Conduit](#)



Features:

- Steel bolt - Case hardened
- RoHS compliant

Standard Materials:

- Malleable Iron / Ductile Iron

Standard Finish:

- Zinc plated

Certifications & Compliances:

- UL Standard: 2239
- UL Listed File # E213669



Part Number	Trade Size	Dim A	Dim B	Dim C	Dim D	Inner Pack	Master Pack	Weight Per C
	(in)	(in)	(in)	(in)	(in)			(lb)
JC2KON	3/4	3.750	1.875	1.438	1.938	25	100	56.3

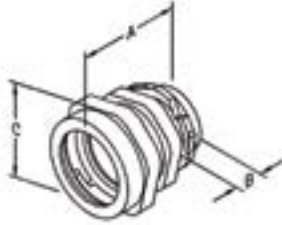
Rigid Fittings

Rigid Compression Connectors for Threadless Rigid Conduit & IMC

Click brand for more product info ↓
[Allied Tube & Conduit](#)



Non-Insulated



Features:

- Concrete tight male hub threads
- NPSM thread 1/2" thru 2"
- NPT thread above 2"

Standard Materials:

- Malleable Iron/Ductile Iron
- Steel locknut
- Insulator: Nylon

Standard Finish:

- Zinc plated

Certifications & Compliances:

- UL Standard: 514B
- Fed. Spec. A-A-50553
- NEMA: FB-1
- UL Listed File # E207875



Part Number	Trade Size (in)	Dim A (in)	Dim B (in)	Dim C (in)	Inner Pack	Master Pack	Weight Per C (lb)
Non-Insulated							
RCC200KON	2	2.250	0.880	3.313	5	25	118.5
RCC300KON	3	3.130	1.380	4.250	1	5	331.2

Rigid Fittings

Set Screw Rigid Connectors Threadless for Rigid Conduit & IMC

Click brand for more product info ↓
[Allied Tube & Conduit](#)



Non-Insulated

Features:

- Concrete tight when taped
- Available with insulated throat
- NPT thread above 2"
- RoHS compliant

Standard Materials:

- Malleable Iron / Ductile
- Iron – Steel

Standard Finish:

- Zinc plated

Certifications & Compliances:

- UL Standard: 514B
- Fed. Spec. A-A-50553
- NEMA: FB-1
- UL Listed File # E207875



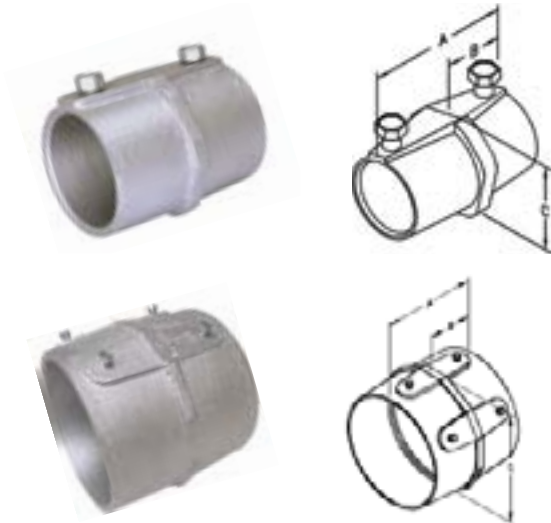
Part Number	Trade Size (in)	Dim A (in)	Dim B (in)	Dim C (in)	Inner Pack	Master Pack	Weight Per C (lb)
Non-Insulated							
RSC50KON	1/2	1.375	0.438	1.313	25	250	17.4
RSC75KON	3/4	1.688	0.500	1.563	25	100	29.6
RSC150KON	1 1/2	2.313	0.625	2.500	5	20	78.6
RSC200KON	2	2.438	0.625	2.938	2	10	101.8

* Furnished with two set screws
 ^ 5" and 6" are NOT UL approved
 +Steel

Rigid Fittings

Set Screw Rigid Couplings Threadless for Rigid Conduit & IMC

Click brand for more product info
[Allied Tube & Conduit](#)



Features:

- Concrete tight when taped

Standard Materials:

- Malleable Iron / Ductile Iron / Steel
2½" to 4"

Standard Finish:

- Zinc plated

Certifications & Compliances:

- UL Standard: 514B
- Fed. Spec. A-A-50553
- NEMA: FB-1
- UL Listed File # E207875



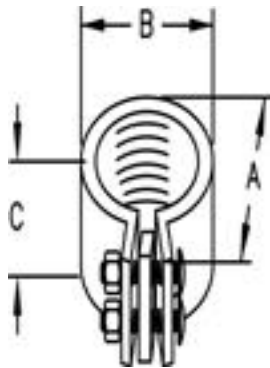
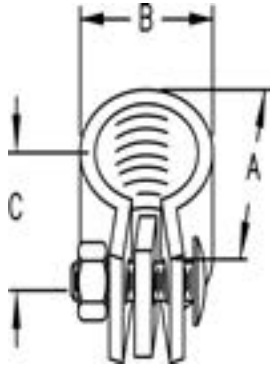
Part Number	Trade Size	Dim A	Dim B	Dim C	Inner Pack	Master Pack	Weight Per C
	(in)	(in)	(in)	(in)			(lb)
RSK50KON	½	1.750	0.780	1.375	20	100	23.6
RSK75KON	¾	2.000	0.875	1.563	20	100	35.1

*Furnished with four set screws
 ^ 5" and 6" are NOT UL approved
 +Steel

Rigid Fittings

Split Couplings for Threaded Rigid Conduit & IMC

Click brand for more product info ↓
[Allied Tube & Conduit](#)



Features:

- Use where conduit runs are closely spaced
- Use when conduit is tight against a wall, ceiling or other obstruction
- Neoprene gasket provides a concrete tight seal
- Concrete tight
- RoHS compliant

Standard Materials:

- Body: Malleable Iron / Ductile Iron
- Seal: rubber
- Screw: steel

Standard Finish:

- Zinc plated

Certifications & Compliances:

- UL Standard: 514B
- NEMA: FB-1
- UL Listed File # E207875



Part Number	Trade Size	Dim A	Dim B	Dim C	Inner Pack	Master Pack	Weight Per C
	(in)	(in)	(in)	(in)			(lb)
STC300KON*	3	5.313	3.313	4.125	-	2	300.0
STC350KON*	3 ½	6.063	3.250	4.813	-	1	425.0

*Furnished with 2 bolts

Rigid Fittings

Aluminum Locknuts

Click brand for more product info ↓
[Allied Tube & Conduit](#)



Aluminum Locknut



Features:

- Six tab design for easy gripping
- Tabs provide bonding continuity

Standard Materials:

- Steel or Aluminum

Standard Finish:

- Zinc plated (steel)

Certifications & Compliances:

- UL Standard 514B
- CSA Standard C22.2 No. 18.3
- NEMA FB-1

Aluminum Locknut

Part Number	Trade Size (in)	Dim A (in)	Dim B (in)	Thread Pitch Diameter	Thread Minor Diameter Min.	Tabs	TPI	Inner Pack	Master Pack	Weight Per C (lb)
AL11KON	½	1.140	0.170	.800-.810	0.769	6	14	NA	100	0.6

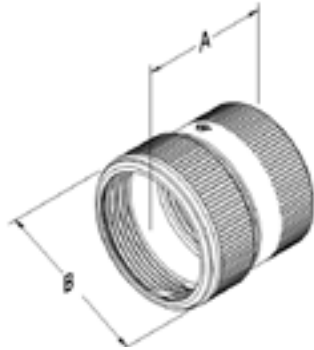
Rigid Fittings

Universal Super Fitting™ 3 Piece Coupling Raintight

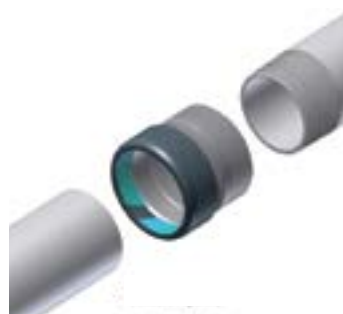
[Click brand for more product info](#) ↓
[Allied Tube & Conduit](#)



Threaded GRC / IMC to Threaded GRC / IMC



Threaded GRC/ IMC to Unthreaded GRC/IMC/ EMT



Features:

- UL Listed for Wet Location
- Ease of installation/Quick-connect
- Universal connecting - Threaded to Threaded, Threaded to Unthreaded
- No more turning Conduit
- Self Pipe Alignment
- Eliminates field threading

Standard Materials:

- Steel
- Nylon
- Neoprene

Standard Finish:

- Zinc Plated

Certifications & Compliances:

- UL us listed UL 514B; C22.2 No. 18.3-12
- UL Listed File # E207875

Applications:

- Used to join two lengths of conduit; couples conduit when conduit cannot be turned
- Suitable for outdoor applications
- Threaded GRC/IMC to Threaded GRC/IMC
- Threaded GRC/IMC to Unthreaded GRC/IMC
- Threaded GRC/IMC to Thin Wall EMT (2 1/2" - 4")
- Threaded GRC/IMC to PVC

U.S. Patent No. 8.586.881

Rigid Fittings

Universal Super Fitting™ 3 Piece Coupling Raintight

Click brand for more product info ↓
[Allied Tube & Conduit](#)



Part Number	Replaces Part Number	Trade Size	Dim A	Dim B	Inner Pack	Master Pack	Weight Per C
		(in)	(in)	(in)			(lb)
SECR75KON*	EC75KON	¾	2.089	1.45	25	100	28.5
SECR100KON*	EC100KON	1	2.461	1.71	10	50	43.2
SECR300KON**	EC300KON	3	4.024	4.08	1	-	211.0

* Use with Rigid, and IMC

** Use with Rigid, IMC, and EMT

^UL approved for threaded to threaded only

Note 1: *Permitted for use in Class I Div. 2 locations per NEC501.10 (B) (1) and in Class II Div. 2 locations per NEC 502.10 (B) (1)

Note 2: *Permitted for use in direct contact with earth per NEC 344.10 (B) (1)

Rigid Fittings

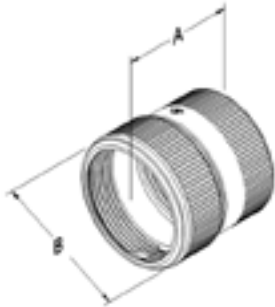
Universal Super Fitting™ 3 Piece Coupling

[Click brand for more product info](#) ↓

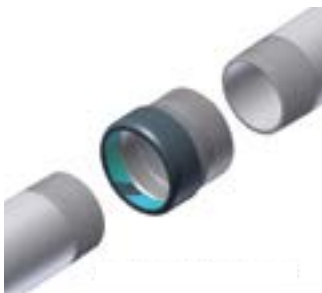
[Allied Tube & Conduit](#)



Threaded GRC / IMC to Threaded GRC / IMC



Threaded GRC / IMC to Unthreaded GRC / IMC / EMT / PVC



Features:

- UL Concrete-tight
- Ease of installation/Quick-connect
- Universal connecting - Threaded to Threaded, Threaded to Unthreaded
- No more turning Conduit
- Self Pipe Alignment
- Eliminates field threading
- Fit PVC Schedule 40 and Schedule 80

Standard Materials:

- Steel

Standard Finish:

- Zinc plated

Certifications & Compliances:

- UL us listed UL 514B; C22.2 No. 18.3-12
- UL Listed File # E207875

Applications:

- Used to join two lengths of conduit; couples conduit when conduit cannot be turned
- Threaded GRC/IMC to Threaded GRC/IMC
- Threaded GRC/IMC to Unthreaded GRC/IMC
- Threaded GRC/IMC to PVC
- Threaded GRC/IMC to Thin Wall EMT (2 1/2" to 4")

U.S. Patent No. 8.586.881



Part Number	Replaces Part Number	Trade Size (in)	Dim A (in)	Dim B (in)	Inner Pack	Master Pack	Weight Per C (lb)
SEC250KON**	EC250KON	2 1/2	3.19	3.45	2	-	170

* Use with Rigid and IMC

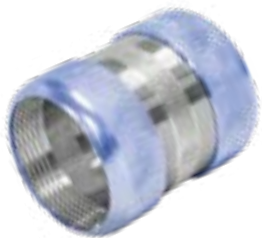
** Use with Rigid, IMC, EMT and PVC

Note 1: *Permitted for use in Class I Div. 2 locations per NEC501.10 (B) (1) and in Class II Div. 2 locations per NEC 502.10 (B) (1)

Rigid Fittings

Universal Super Fitting™ 5 Piece Coupling Raintight

Click brand for more product info
[Allied Tube & Conduit](#)



Threaded GRC/IMC to Threaded GRC/IMC



Threaded GRC/IMC to Unthreaded GRC/IMC/EMT



Unthreaded GRC/IMC /EMT to Unthreaded GRC/IMC /EMT



Features:

- UL Listed for wet location
- Suitable for direct burial applications
- Ease of installation/quick-connect
- Universal connecting - threaded to threaded, threaded to unthreaded
- No more turning conduit
- Self pipe alignment
- Eliminates field threading
- Fit GRC/IMC/EMT (fits all UL approved metal conduit)

Standard Materials:

- Steel
- Nylon
- Neoprene

Standard Finish:

- Zinc plated

Certifications & Compliances:

- UL us listed UL 514B; C22.2 No. 18.3-12
- UL Listed File # E207875

Applications:

- Used to join two lengths of conduit; couples conduit when conduit cannot be turned
- Suitable for outdoor applications
- Threaded GRC/IMC to threaded GRC/IMC
- Threaded GRC/IMC to unthreaded GRC/IMC/EMT
- Unthreaded GRC/IMC/EMT to unthreaded GRC/IMC/EMT/PVC (2 1/2" - 4")

U.S. Patent No. 8.586.881



Part Number	Replaces Part Number	Trade Size (in)	Dim A (in)	Dim B (in)	Inner Pack	Master Pack	Weight Per C (lb)
SRCKR200KON*	RCK200KON	2	3.440	2.800	2	10	1.102
SRCKR400KON**	RCK400KON	4	4.600	5.090	-	1	4.400

* Use with Rigid, IMC

** Use with Rigid, IMC, EMT

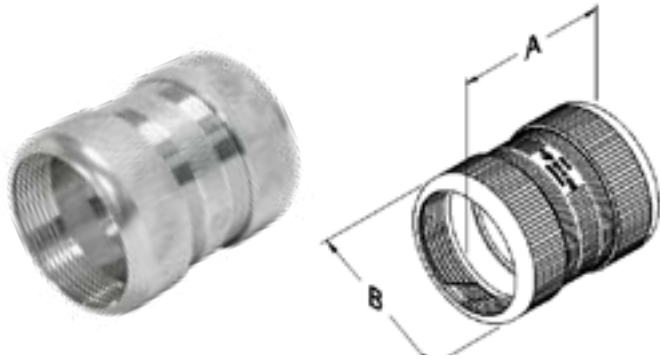
Note 1: *Permitted for use in Class I Div. 2 locations per NEC501.10 (B) (1) and in Class II Div. 2 locations per NEC 502.10 (B) (1)

Note 2: *Permitted for use in direct contact with earth per NEC 344.10 (B) (1)

Rigid Fittings

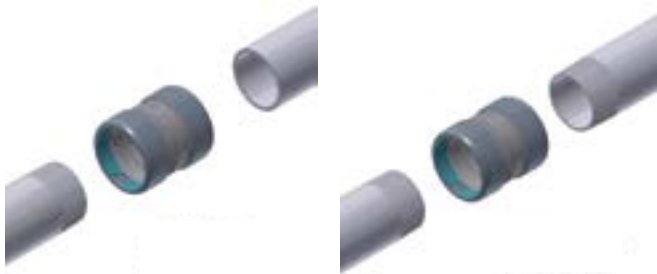
Universal Super Fitting™ 5 Piece Coupling

Click brand for more product info ↓
[Allied Tube & Conduit](#)



Threaded GRC/IMC to Unthreaded GRC/IMC/EMT/PVC

Threaded GRC/IMC to Threaded GRC/IMC



Unthreaded GRC/IMC/EMT/PVC to Unthreaded GRC/IMC/EMT/PVC



Features:

- UL Listed concrete tight
- Ease of installation/quick-connect
- Universal connecting - threaded to threaded, threaded to unthreaded
- No more turning conduit
- Self Pipe Alignment
- Eliminates field threading
- Fit GRC/IMC/EMT (fits all UL approved metal conduit)
- Fit PVC Schedule 40 and Schedule 80

Standard Materials:

- Steel

Standard Finish:

- Zinc plated

Certifications & Compliances:

- UL us listed UL 514B; C22.2 No. 18.3-12
- UL Listed File # E207875

Applications:

- Used to join two lengths of conduit; couples conduit when conduit cannot be turned
- Threaded GRC/IMC to threaded GRC/IMC
- Threaded GRC/IMC to unthreaded GRC/IMC/EMT/PVC (2 1/2" to 4")
- Unthreaded GRC/IMC/EMT/PVC to unthreaded GRC /IMC/EMT/PVC

U.S. Patent No. 8.586.881



Part Number	Replaces Part Number	Trade Size (in)	Dim A (in)	Dim B (in)	Inner Pack	Master Pack	Weight Per C (lb)
SRCK300KON**	RCK300KON	3	4.160	4.080	1	-	290.0

* Use with Rigid, IMC

** Use with Rigid, IMC, EMT, and PVC

Note 1: *Permitted for use in Class I Div. 2 locations per NEC501.10 (B) (1) and in Class II Div. 2 locations per NEC 502.10 (B) (1)

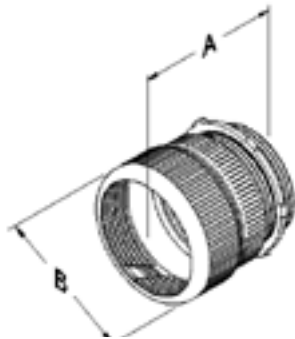
Rigid Fittings

Universal Super Fitting™ Connector

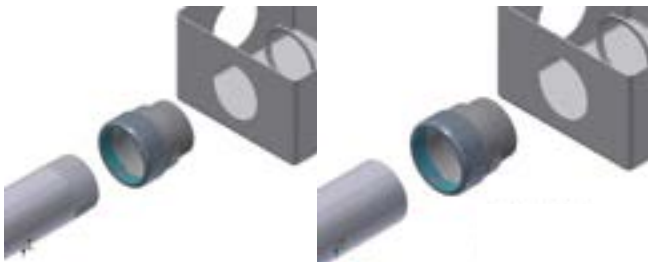
Click brand for more product info ↓
[Allied Tube & Conduit](#)



Threaded GRC/IMC to Metal Box



Unthreaded GRC/IMC/EMT/PVC to Metal Box



Features:

- UL Listed concrete tight
- Ease of installation/quick-connect
- Universal connecting - threaded or unthreaded
- No more turning conduit
- Self pipe alignment
- Eliminates field threading
- Fit GRC/IMC/EMT (fits all UL approved metal pipe)
- Fit PVC Schedule 40 and Schedule 80
- Lightweight

Standard Materials:

- Steel

Standard Finish:

- Zinc plated

Certifications & Compliances:

- UL us Listed UL 514B; C22.2 No. 18.3-12
- UL Listed File # E207875

Applications:

- Used to join conduit to a metal enclosure
- Metal enclosure to threaded GRC/IMC
- Metal enclosure to unthreaded GRC/IMC
- Metal enclosure to PVC
- Metal enclosure to thin wall EMT (2 1/2" to 4")

U.S. Patent No. 8.586.881



Part Number	Replaces Part Number	Trade Size	Dim A	Dim B	Inner Pack	Master Pack	Weight Per C
		(in)	(in)	(in)			(lb)
SRCC75KON*	RCC75KON	3/4	1.877	1.440	25	100	28.0
SRCC300KON**	RCC300KON	3	3.490	4.080	1	-	270.0
SRCC400KON**	RCC400KON	4	3.810	5.090	1	-	390.0

* Use with Rigid and IMC

** Use with Rigid, IMC, EMT and PVC

Note 1: *Permitted for use in Class I Div. 2 locations per NEC501.10 (B) (1) and in Class II Div. 2 locations per NEC 502.10 (B) (1)

Rigid Fittings

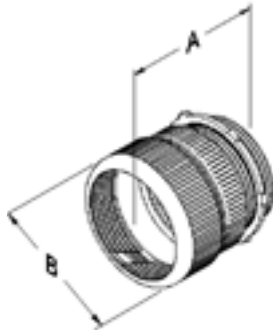
Universal Super Fitting™ Connector Raintight

Click brand for more product info ↓

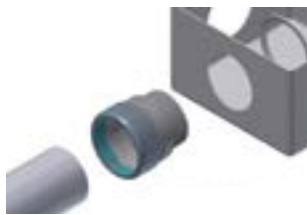
[Allied Tube & Conduit](#)



Unthreaded GRC/IMC/EMT to Metal Box



Threaded GRC/IMC to Metal Box



Features:

- UL Listed for wet location
- Suitable for direct burial applications
- Ease of installation/quick-connect
- Universal connecting - threaded or unthreaded
- No more turning conduit
- Self pipe alignment
- Eliminates field threading

Standard Materials:

- Steel
- Nylon
- Neoprene

Standard Finish:

- Zinc plated

Certifications & Compliances:

- UL us Listed UL 514B; C22.2 No. 18.3-12
- UL Listed File # E207875

Applications:

- Used to join conduit to a metal enclosure
- Metal enclosure to threaded GRC/IMC
- Metal enclosure to unthreaded GRC/IMC
- Metal enclosure to PVC
- Metal enclosure to thin wall EMT(2 1/2" to 4")

U.S. Patent No. 8.586.881



Part Number	Replaces Part Number	Trade Size (in)	Dim A (in)	Dim B (in)	Inner Pack	Master Pack	Weight Per C (lb)
SRCCR200KON*	RCC200KON	2	2.810	2.800	2	10	102.4

* Use with Rigid and IMC

** Use with Rigid, IMC, EMT

Note 1: *Permitted for use in Class I Div. 2 locations per NEC501.10 (B) (1) and in Class II Div. 2 locations per NEC 502.10 (B) (1)

Note 2: *Permitted for use in direct contact with earth per NEC 344.10 (B) (1)



STRUT SYSTEMS



Unistrut
Power-Strut

Strut Systems - Table of Contents

↓ [Click below to view product section](#)

[Product Introduction](#)
[Channel](#)
[Fittings](#)

Product Introduction

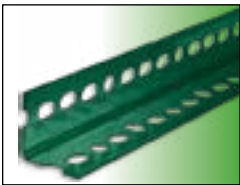


Unistrut Metal Framing is the original strut system offering a time and money saving alternative to conventional support methods. The Unistrut system eliminates welding and drilling, and is easily adjustable, demountable and reusable.



Featuring The Unique Unistrut Connection

- No Welding
- No Drilling
- 100% Adjustable
- 100% Reusable



Hex-head bolt threads easily into a spring nut, connecting fitting to channel in a quick one-hand operation.

When the nut is tightened against the inturned edges, the nut teeth create a vise-like grip, tying sides together in a strong "box" configuration.

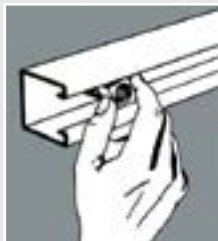
Spring allows precision placement anywhere along channel length, then holds the nut in position while connection is completed.



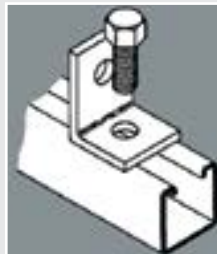
Fifteen channel sizes and hundreds of fittings give you engineered solutions to a virtually limitless variety of projects.



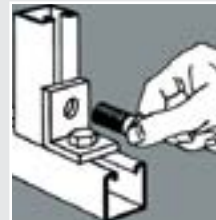
1 Insert the spring nut anywhere along the continuous slotted channel. Rounded nut ends permit easy insertion.



2 A 90° clockwise turn aligns the grooves in the nut with the inturned edges of the channel. Fittings can be placed anywhere along the channel opening.



3 Insert bolt through fitting and into the spring nut.



4 Additional channel sections can now be bolted to the fitting already in place by using steps 1-3.



5 Tightening with a wrench locks the serrated teeth of the nut into the inturned edges of the channel, forming a strong, vise-like connection.

Product Introduction

Features:

- No welding or drilling required
- Easily adjustable and reusable for infinite configurations
- No special tools required for installation or adjustment

Applications:

- Trapeze Supports
- Seismic Bracing
- Ceiling Grids
- Pipe, Conduit, Duct & Cable Tray Supports
- Storage Racks and Shelving
- Other General Framing



STRUT SYSTEMS CHANNEL

Unistrut
Power-Strut

Table of Contents

↓ [Click below to view product section](#)

Channel Options

Materials & Finishes

12 Gage Channel, 1 5/8" x 1 5/8"

P1000

PS 200

12 Gage Back-to-Back Channel, 1 5/8" x 1 5/8"

P1001

PS 200 2T3

12 Gage Combination Channel, 1 5/8" x 1 5/8"

P1001C

12 Gage Channel, 1 5/8" x 1 3/8"

P3000

12 Gage Channel, 1 5/8" x 7/8"

P3300

12 Gage Channel, 1 5/8" x 3 1/4"

P5000

PS 100

12 Gage Back-to-Back Channel, 1 5/8" x 3 1/4"

P5001

Table of Contents continued on next page

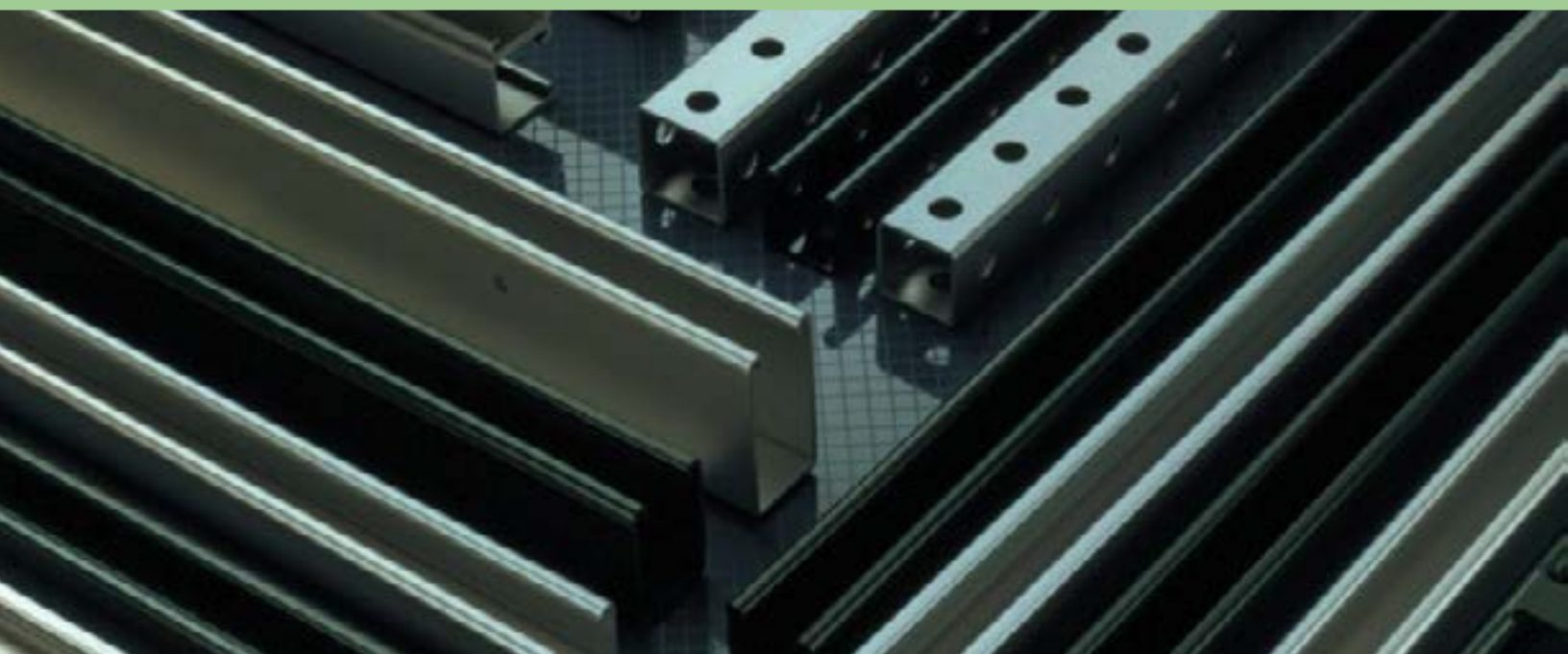


Table of Contents (continued)

↓ [Click below to view product section](#)

12 Gage Channel, 1 5/8" x 2 7/16"
P5500

12 Gage Back-to-Back Channel, 1 5/8" x 2 7/16"
P5501

14 Gage Channel, 1 5/8" x 1 5/8"
P1100
PS 210

14 Gage Channel, 1 5/8" x 1 3/16"
P4100
PS 500

14 Gage Back-to-Back Channel, 1 5/8" x 1 3/16"
P4101

16 Gage Channel, 1 5/8" x 1 3/16"
P4000

12 Gage Channel, 1 1/4" x 5/8"
A4000

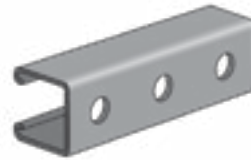
19 Gage Channel, 1 3/16" x 13/32"
P7000
PS 700J

Channel Options

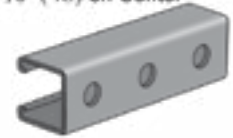
Solid



"H" and "HS" Holes



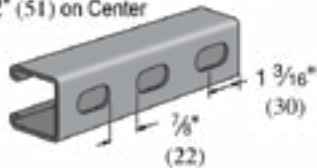
9/16" (14) Dia. Holes
1 7/8" (48) on Center



"EH" and "T" Slots



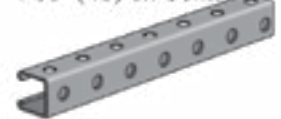
Slots are 1 1/8" (29) x 9/16" (14)
2" (51) on Center



"H3" Holes



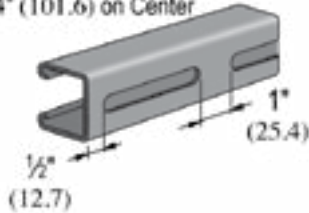
9/16" (14) Dia. Holes
1 7/8" (48) on Center



"S" and "SL" Slots



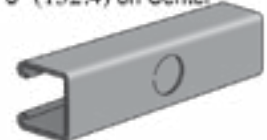
Slots are 3" (76.2) x 1 1/32" (10.3)
4" (101.6) on Center



"KO" and "KO6" Knock-Outs



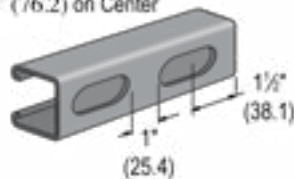
7/8" (22.2) Knockouts
6" (152.4) on Center



"WT" Slots



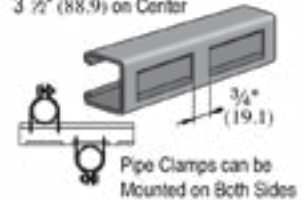
Slots are
2" (50.8) x 1 1/16" (17.5)
3" (76.2) on Center



"DS" Double Slots



Slots are 2 3/4" (69.9) x 7/8" (22.2)
3 1/2" (88.9) on Center



Materials & Finishes

Materials & Finishes

Standard	
Pregalvanized (PG)	Conforms to ASTM A653 SS GR 33, G90
Unistrut Defender (DF)	Conforms to ASTM A1046 SS GR 33
Hot Dip Galvanized (HG)	Steel conforms to ASTM A1011 SS GR 33, Finish conforms to ASTM A123
Perma-Green (GR)	Steel conforms to ASTM A1011 SS GR 33, E-Coat or Powder Coat finish
Perma-Gold (ZD)	Steel conforms to ASTM A1011 SS GR 33, Finish conforms to ASTM B633, Type II SC3
Plain (PL)	Conforms to ASTM A1011 SS GR 33
Special Metals	
Stainless Steel, Type 304 (SS)	ASTM A240, Type 304 *
Stainless Steel, Type 316 (ST)	ASTM A240, Type 316 *
Aluminum (EA)	ASTM B221, Type 6063-T6 (Extruded) *

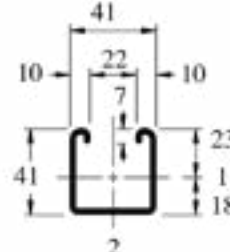
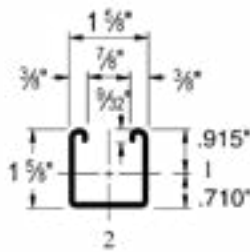
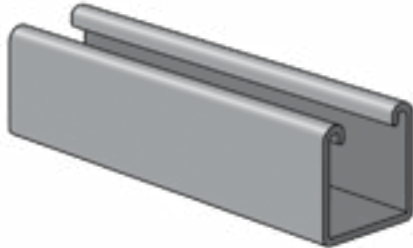
* These materials have different physical properties and performance characteristics. [Click here](#) to contact Atkore for design support.

12 Gage Channel, 1 5/8" x 1 5/8"

Click brand for more product info ↓

[Unistrut](#)

P1000



Part Number	Holes	Length (ft)	Finish	Product Weight / Ft (lb/ft)
P1000				
P1000 10EA	None (Solid)	10	EA	0.740
P1000 10GR	None (Solid)	10	GR	1.910
P1000 10HG	None (Solid)	10	HG	2.014
P1000 10PG	None (Solid)	10	PG	1.890
P1000 10PL	None (Solid)	10	PL	1.910
P1000 10SS	None (Solid)	10	SS	1.910
P1000 20EA	None (Solid)	20	EA	0.740
P1000 20GR	None (Solid)	20	GR	1.910
P1000 20HG	None (Solid)	20	HG	2.014
P1000 20PG	None (Solid)	20	PG	1.890
P1000 20PL	None (Solid)	20	PL	1.890
P1000 20SS	None (Solid)	20	SS	1.910
P1000H3				
P1000H3 10PG	H3	10	PG	1.750
P1000HS				
P1000HS 10HG	HS	10	HG	1.910
P1000HS 10PG	HS	10	PG	1.850
P1000HS 20HG	HS	20	HG	1.910
P1000SL				
P1000SL 10HG	SL	10	HG	1.910
P1000SL 10PG	SL	10	PG	1.850
P1000SL 20PG	SL	20	PG	1.850

table continued on next page

12 Gage Channel, 1 5/8" x 1 5/8"

Click brand for more product info ↓

P1000

Unistrut

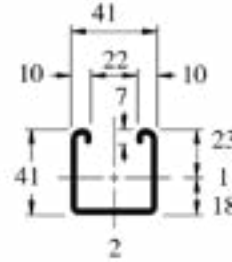
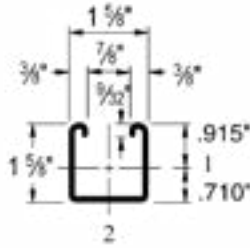
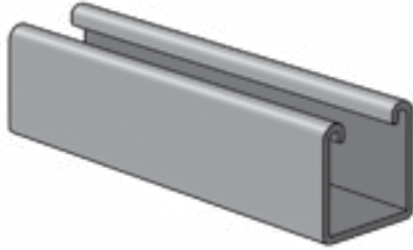
Part Number	Holes	Length (ft)	Finish	Product Weight / Ft (lb/ft)
P1000T				
P1000T 10DF	T	10	DF	1.961
P1000T 10EA	T	10	EA	0.740
P1000T 10GR	T	10	GR	1.850
P1000T 10HG	T	10	HG	1.961
P1000T 10PG	T	10	PG	1.850
P1000T 10PL	T	10	PL	1.850
P1000T 10SS	T	10	SS	1.880
P1000T 10ST	T	10	ST	1.850
P1000T 10ZD	T	10	ZD	1.850
P1000T 20HG	T	20	HG	1.961
P1000T 20PG	T	20	PG	1.850
P1000T 20SS	T	20	SS	1.850
P1000WT				
P1000WT 10PG	WT	10	PG	1.750

12 Gage Channel, 1 5/8" x 1 5/8"

Click brand for more product info

[Power-Strut](#)

PS 200



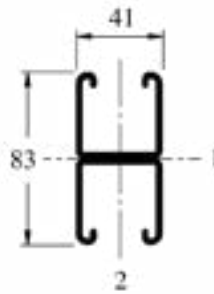
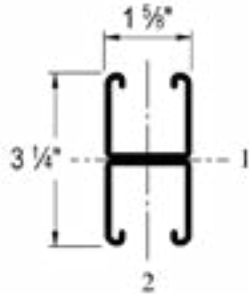
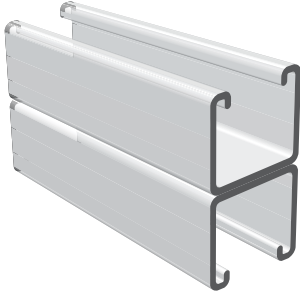
Part Number	Holes	Length (ft)	Finish	Product Weight / Ft (lb/ft)
PS 200				
810100	None (Solid)	10	AL	0.750
610204	None (Solid)	10	PG	1.890
610310	None (Solid)	10	SS	1.890
600202	None (Solid)	20	HG	1.890
600204	None (Solid)	20	PG	1.890
PS 200 EH				
810150	EH	10	AL	0.670
610302	EH	10	HG	1.961
610304	EH	10	PG	1.850
610280	EH	10	SS	1.880
600304	EH	20	PG	1.850
PS 200 S				
610294	S	10	PG	1.850

12 Gage Back-to-Back Channel, 1 5/8" x 1 5/8"

Click brand for more product info ↓

[Unistrut](#)

P1001



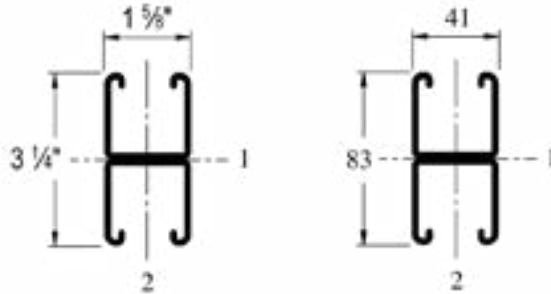
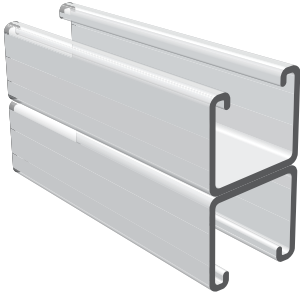
Part Number	Holes	Length (ft)	Finish	Product Weight / Ft (lb/ft)
P1001				
P1001 10GR	None (Solid)	10	GR	3.840
P1001 10HG	None (Solid)	10	HG	3.840
P1001 10PG	None (Solid)	10	PG	3.780
P1001 10SS	None (Solid)	10	SS	3.840
P1001 20GR	None (Solid)	20	GR	3.840
P1001 20HG	None (Solid)	20	HG	3.840
P1001 20PG	None (Solid)	20	PG	3.780
P1001T				
P1001T 10DF	T	10	DF	3.700
P1001T 10HG	T	10	HG	3.840
P1001T 10PG	T	10	PG	3.840
P1001T 10SS	T	10	SS	3.840
P1001T 20PG	T	20	PG	3.840

12 Gage Back-to-Back Channel, 1 5/8" x 1 5/8"

Click brand for more product info ↓

[Power-Strut](#)

PS 200 2T3



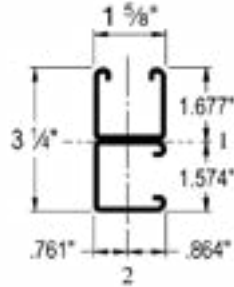
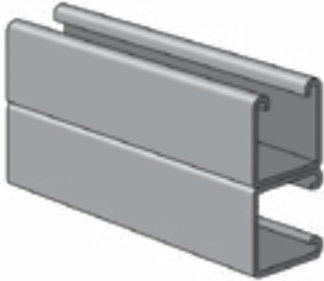
Part Number	Holes	Length (ft)	Finish	Product Weight / Ft (lb/ft)
PS 200 2T3				
810140	None (Solid)	10	AL	3.780
610364	None (Solid)	10	PG	3.780
600364	None (Solid)	20	PG	3.780
PS 200 2T3 EH				
529453	EH	10	PG	3.780
752383	EH	10	SS	3.780
557215	EH	20	PG	3.780

12 Gage Combination Channel, 1 5/8" x 1 5/8"

Click brand for more product info ↓

[Unistrut](#)

P1001C



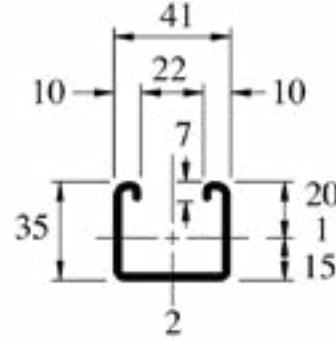
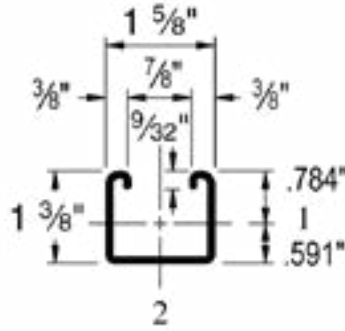
Part Number	Holes	Length (ft)	Finish	Product Weight / Ft (lb/ft)
P1001C				
P1001C 10PG	None (Solid)	10	PG	3.780
P1001C 20PG	None (Solid)	20	PG	3.780

12 Gage Channel, 1 5/8" x 1 3/8"

Click brand for more product info ↓

[Unistrut](#)

P3000



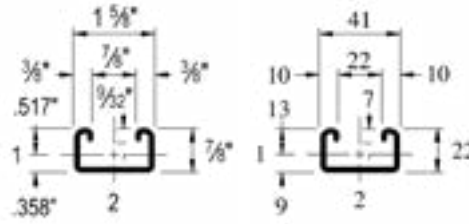
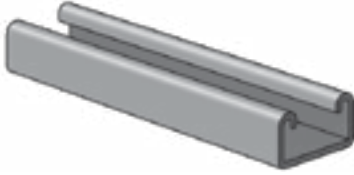
Part Number	Holes	Length (ft)	Finish	Product Weight / Ft (lb/ft)
P3000				
P3000 10PG	None (Solid)	10	PG	1.700

12 Gage Channel, 1 5/8" x 7/8"

Click brand for more product info ↓

[Unistrut](#)

P3300



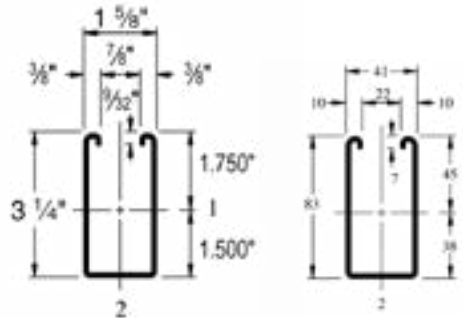
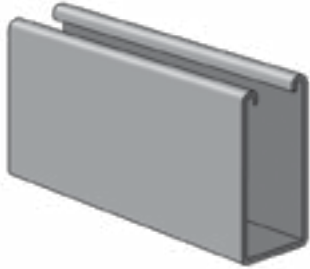
Part Number	Holes	Length (ft)	Finish	Product Weight / Ft (lb/ft)
P3300				
P3300 10HG	None (Solid)	10	HG	1.431
P3300 10PG	None (Solid)	10	PG	1.340
P3300 10PL	None (Solid)	10	PL	1.340
P3300 10SS	None (Solid)	10	SS	1.390
P3300 10ST	None (Solid)	10	ST	1.390
P3300 20PG	None (Solid)	20	PG	1.340
P3300T				
P3300T 10HG	T	10	HG	1.378
P3300T 10PG	T	10	PG	1.300
P3300T 10PL	T	10	PL	1.300
P3300T 10SS	T	10	SS	1.350
P3300T 20PG	T	20	PG	1.300

12 Gage Channel, 1 5/8" x 3 1/4"

[Click brand for more product info](#) ↓

P5000

[Unistrut](#)

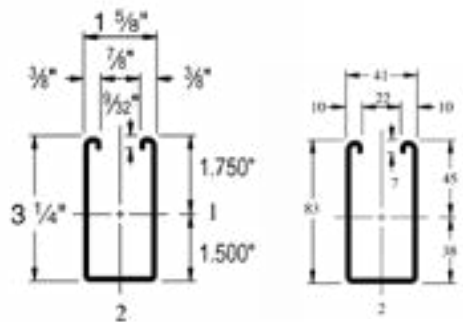
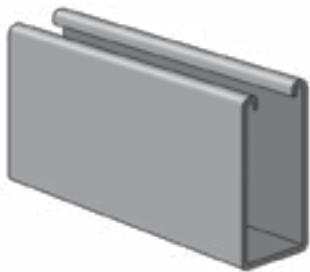


Part Number	Holes	Length (ft)	Finish	Product Weight / Ft (lb/ft)
P5000				
P5000 10PG	None (Solid)	10	PG	3.050
P5000 20HG	None (Solid)	20	HG	3.070
P5000 20PG	None (Solid)	20	PG	3.050
P5000T				
P5000T 10PG	T	10	PG	3.000
P5000T 20PG	T	20	PG	3.000

[Click brand for more product info](#) ↓

PS 100

[Power-Strut](#)



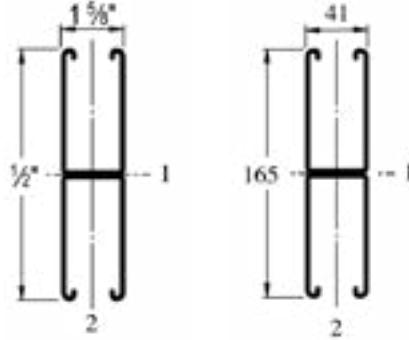
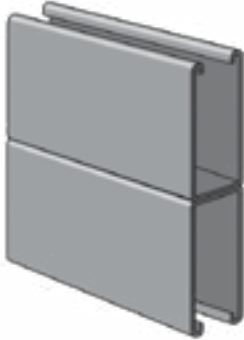
Part Number	Holes	Length (ft)	Finish	Product Weight / Ft (lb/ft)
PS 100 EH				
611944	EH	10	PG	3.060

12 Gage Back-to-Back Channel, 1 5/8" x 3 1/4"

Click brand for more product info ↓

[Unistrut](#)

P5001



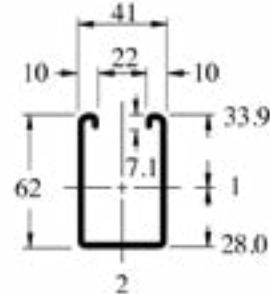
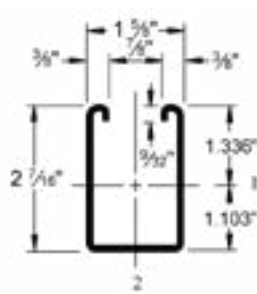
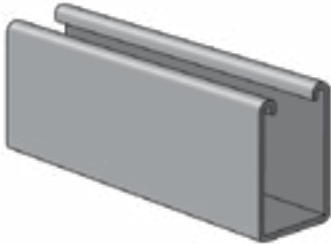
Part Number	Holes	Length (ft)	Finish	Product Weight / Ft (lb/ft)
P5001				
P5001 20PG	None (Solid)	20	PG	6.100
P5001T				
P5001T 20PG	T	20	PG	6.000

12 Gage Channel, 1 5/8" x 2 7/16"

Click brand for more product info ↓

[Unistrut](#)

P5500



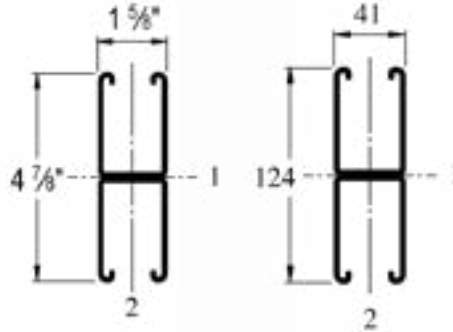
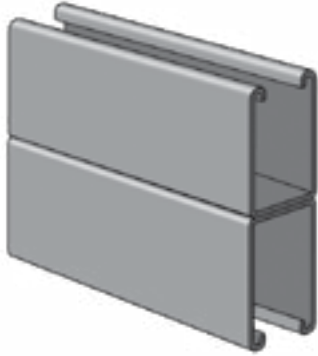
Part Number	Holes	Length (ft)	Finish	Product Weight / Ft (lb/ft)
P5500				
P5500 10PG	None (Solid)	10	PG	2.470
P5500 20PG	None (Solid)	20	PG	2.470
P5500T				
P5500T 20PG	T	20	PG	2.470
P5500WT				
P5500WT 20PG	WT	20	PG	2.370

12 Gage Back-to-Back Channel, 1 5/8" x 2 7/16"

Click brand for more product info ↓

[Unistrut](#)

P5501



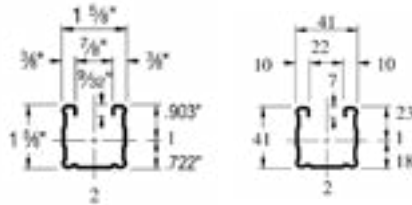
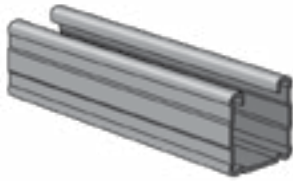
Part Number	Holes	Length (ft)	Finish	Product Weight / Ft (lb/ft)
P5501				
P5501 10PG	None (Solid)	10	PG	4.940
P5501 20GR	None (Solid)	20	GR	4.940
P5501 20PG	None (Solid)	20	PG	4.940

14 Gage Channel, 1 5/8" x 1 5/8"

[Click brand for more product info](#) ↓

P1100

[Unistrut](#)

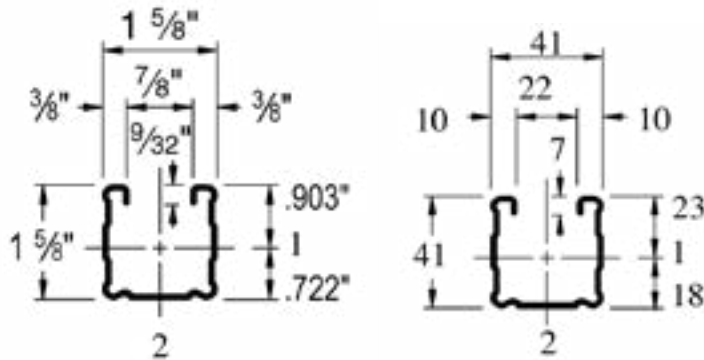


Part Number	Holes	Length (ft)	Finish	Product Weight / Ft (lb/ft)
P1100T				
P1100T 10PG	T	10	PG	1.360
P1100T 10SS	T	10	SS	1.360
P1100T 20PG	T	20	PG	1.360

PS 210

[Click brand for more product info](#) ↓

[Power-Strut](#)



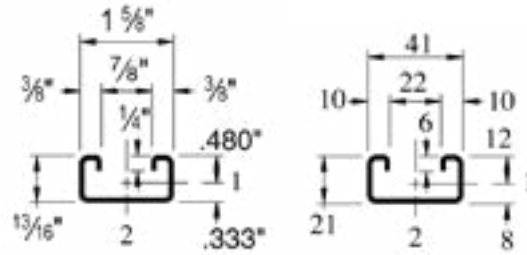
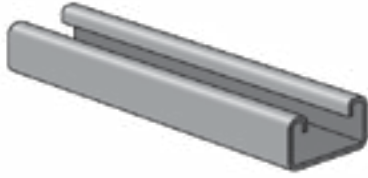
Part Number	Holes	Length (ft)	Finish	Product Weight / Ft (lb/ft)
PS 210				
610104	None (Solid)	10	PG	1.420
PS 210 EH				
610144	EH	10	PG	1.370
610171	EH	10	SS	1.370
600144	EH	20	PG	1.430

14 Gage Channel, 1 5/8" x 13/16"

Click brand for more product info ↓

[Unistrut](#)

P4100



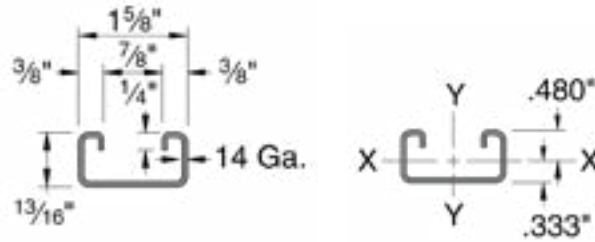
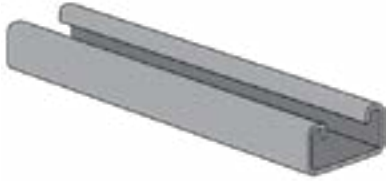
Part Number	Holes	Length (ft)	Finish	Product Weight / Ft (lb/ft)
P4100				
P4100 10PG	None (Solid)	10	PG	0.980
P4100 10PL	None (Solid)	10	PL	0.970
P4100 20PL	None (Solid)	20	PL	0.980
P4100T				
P4100T 10HG	T	10	HG	0.922
P4100T 10PG	T	10	PG	0.870
P4100T 10SS	T	10	SS	0.870
P4100T 20PG	T	20	PG	0.870

14 Gage Channel, 1 5/8" x 13/16"

PS 500

Click brand for more product info ↓

[Power-Strut](#)



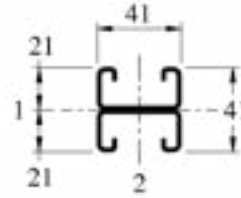
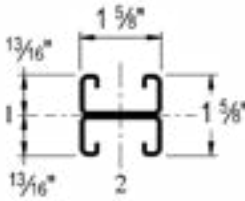
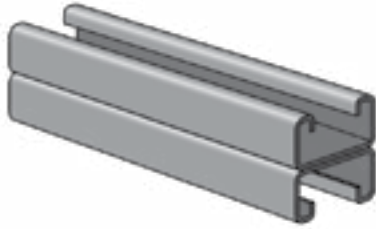
Part Number	Holes	Length (ft)	Finish	Product Weight / Ft (lb/ft)
PS 500				
810200	None (Solid)	10	AL	0.460
610604	None (Solid)	10	PG	0.980
610640	None (Solid)	10	SS	0.980
PS 500 EH				
810220	EH	10	AL	0.390
610636	EH	10	GR	0.940
610632	EH	10	HG	0.922
610634	EH	10	PG	0.870
610670	EH	10	SS	0.970
600634	EH	20	PG	0.870

14 Gage Back-to-Back Channel, 1 5/8" x 13/16"

Click brand for more product info ↓

[Unistrut](#)

P4101



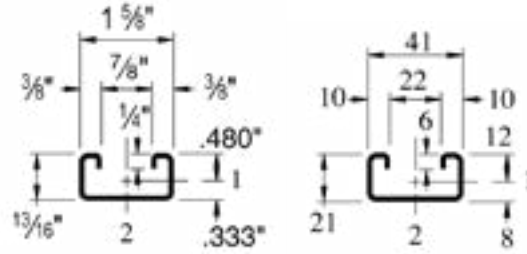
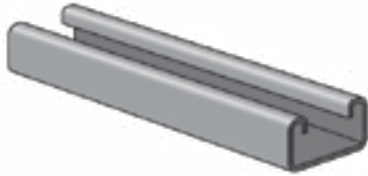
Part Number	Holes	Length (ft)	Finish	Product Weight / Ft (lb/ft)
P4101T				
P4101T 10PG	T	10	PG	1.740

16 Gage Channel, 1 5/8" x 13/16"

Click brand for more product info ↓

Unistrut

P4000



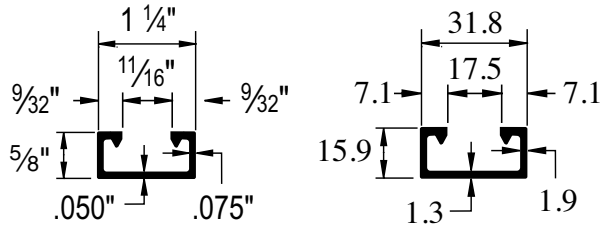
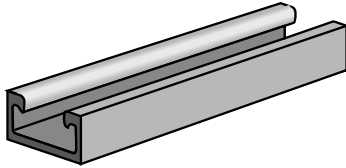
Part Number	Holes	Length (ft)	Finish	Product Weight / Ft (lb/ft)
P4000				
P4000 20EA	None (Solid)	20	EA	—
P4000T				
P4000T 10EA	T	10	EA	—

12 Gage Channel, 1 1/4" x 5/8"

Click brand for more product info ↓

Unistrut

A4000



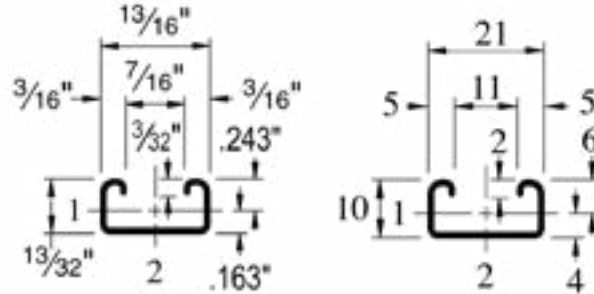
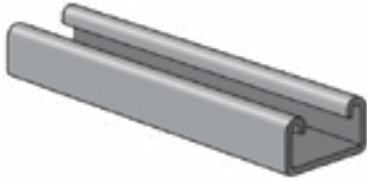
Part Number	Holes	Length (ft)	Finish	Product Weight / Ft (lb/ft)
A4000 16EA	None (Solid)	16	EA	0.250

19 Gage Channel, $1\frac{3}{16}$ " x $1\frac{13}{32}$ "

[Click brand for more product info](#) ↓

P7000

[Unstrut](#)

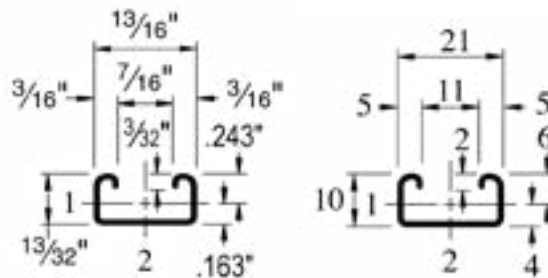


Part Number	Holes	Length (ft)	Finish	Product Weight / Ft (lb/ft)
P7000				
P7000 10EA	None (Solid)	10	EA	0.100
P7000 10PL	None (Solid)	10	PL	0.250

[Click brand for more product info](#) ↓

PS 700J

[Power-Strut](#)



Part Number	Holes	Length (ft)	Finish	Product Weight / Ft (lb/ft)
PS 700J				
615501	None (Solid)	10	PG	0.240
696971	None (Solid)	10	SS	0.260



STRUT SYSTEMS FITTINGS

Unistrut
Power-Strut

Table of Contents

↓ [Click below to view product section](#)

- Materials & Finishes
- 1 5/8" Series Metal Framing
 - Channel Nuts
 - Beam Clamps
 - Brackets & Braces
 - Brace Fittings
 - Closure Strips, End Caps & Frame Caps
 - Concrete Inserts
 - Hardware
 - Electrical Fittings
 - Flat Plate Fittings
 - 90° Fittings
 - Angular Fittings
 - "Z" Shape Fittings
 - "U" Shape Fittings
 - Wing Shape Fittings
 - Pipe & Conduit Supports

Table of Contents continued on next page



Table of Contents (continued)

↓ [Click below to view product section](#)

- 1 5/8" Series Metal Framing
 - Post Bases
 - Trolleys
- 1 1/4" Series Channel Nuts
- 1 3/16" Series Channel Nuts
- 1 3/16" Series Strut Fittings
- Prime Angle
- TeleStrut® System

Materials & Finishes

Materials & Finishes

Standard	
Electrogalvanized (EG)	Conforms to ASTM B633, Type III SC1 or SC3
Pregalvanized (PG)	Conforms to ASTM A653 SS GR 33, G90
Unistrut Defender (DF)	Conforms to ASTM A1046 SS GR 33
Hot Dip Galvanized (HG)	Steel conforms to ASTM A1011 SS GR 33, Finish conforms to ASTM A123
Perma-Green (GR)	Steel conforms to ASTM A1011 SS GR 33, E-Coat finish
Perma-Gold (ZD)	Steel conforms to ASTM A1011 SS GR 33, Finish conforms to ASTM B633, Type II SC3
Plain (PL)	Conforms to ASTM A1011 SS GR 33
Special Metals	
Stainless Steel, Type 304 (SS)	ASTM A240, Type 304 *
Stainless Steel, Type 316 (ST)	ASTM A240, Type 316 *
Aluminum (AL)	ASTM B209 (Type 1100F or Type 5052-H32) *

* These materials have different physical properties and performance characteristics. [Click here](#) to contact Atkore for design support.

1 5/8" Series Channel Nuts

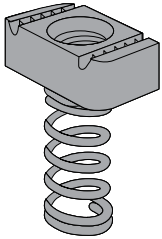
P1006 THRU P1010 - Channel Nuts w/Spring (1 5/8" Series)

[Click brand for more product info](#) ↓

[Unistrut](#)

PS RS - Channel Nut with Spring

[Power-Strut](#)



Unistrut Part Number	Power-Strut Part Number	Power-Strut Catalog Number	Use With	Thread Size	Finish	Product Weight per Piece (lb)
P1006-1024EG	—	—	P1000, P1100, P2000, P3000, P1001, P1101, P2001, P3001	10-24	EG	0.07
P1006-1420EG	—	—	P1000, P1100, P2000, P3000, P1001, P1101, P2001, P3001	1/4"-20	EG	0.07
P1006-1420HG	—	—	P1000, P1100, P2000, P3000, P1001, P1101, P2001, P3001	1/4"-20	HG	0.08
—	716261	PS RS	PS 200, PS 210, PS 300	1/4"-20	EG	0.07
P1006-1420SS	—	—	P1000, P1100, P2000, P3000, P1001, P1101, P2001, P3001	1/4"-20	SS	—
P1006U1420 SS	—	—	P1000, P1100, P2000, P3000, P1001, P1101, P2001, P3001	1/4"-20	SS	0.07
P1007 EG	—	—	P1000, P1100, P2000, P3000, P1001, P1101, P2001, P3001	5/16"-18	EG	0.06
P1007 SS	—	—	P1000, P1100, P2000, P3000, P1001, P1101, P2001, P3001	5/16"-18	SS	0.06
—	716271	PS RS	PS 200, PS 210, PS 300	5/16"-18	EG	0.07
P1008 EG	—	—	P1000, P1100, P2000, P3000, P1001, P1101, P2001, P3001	3/8"-16	EG	0.10
—	716281	PS RS	PS 200, PS 210, PS 300	3/8"-16	EG	0.10
—	725860	PS RS	PS 200, PS 210, PS 300	3/8"-16	ST	0.10
P1008M10 EG	—	—	P1000, P1100, P2000, P3000, P1001, P1101, P2001, P3001	M10	EG	0.10
P1008 HG	—	—	P1000, P1100, P2000, P3000, P1001, P1101, P2001, P3001	3/8"-16	HG	0.11
P1008 SS	—	—	P1000, P1100, P2000, P3000, P1001, P1101, P2001, P3001	3/8"-16	SS	0.10
P1008USS	—	—	P1000, P1100, P2000, P3000, P1001, P1101, P2001, P3001	3/8"-16	SS	0.10
—	893453	PS RS	PS 200, PS 210, PS 300	3/8"-16	SS	0.10
P1010 EG	—	—	P1000, P1100, P2000, P3000, P1001, P1101, P2001, P3001	1/2"-13	EG	0.12
P1010 HG	—	—	P1000, P1100, P2000, P3000, P1001, P1101, P2001, P3001	1/2"-13	HG	0.13
P1010 SS	—	—	P1000, P1100, P2000, P3000, P1001, P1101, P2001, P3001	1/2"-13	SS	0.12
—	716291	PS RS	PS 200, PS 210, PS 300	1/2"-13	EG	0.12

1 5/8" Series Channel Nuts

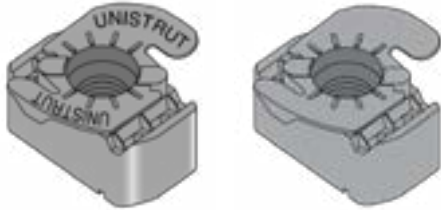
P1006T THRU P4010T - Top Retainer Nut (1 5/8" Series)

[Click brand for more product info](#)

[Unistrut](#)

PS TG - Top Retainer Nut for Channels

[Power-Strut](#)

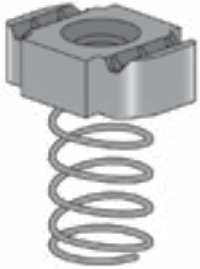


Unistrut Part Number	Power-Strut Part Number	Power-Strut Catalog Number	Use With	Thread Size	Finish	Product Weight per Piece (lb)
P1006T1420EG	—	—	Any 1 5/8" Channel	1/4"-20	EG	0.07
P1006TIM1420EG	193325	PS TG 1/4" IM EG	Any 1 5/8" Channel	1/4"-20	EG	0.07
P1006TUS1420EG	193196	PS TG 1/4" US EG	Any 1 5/8" Channel	1/4"-20	EG	0.07
P1006TU1420SS	—	—	Any Channel	1/4"-20	SS	0.07
	713845	PS TG	Any Channel	1/4"-20	EG	0.07
P1008T EG	—	—	Any 1 5/8" Channel	3/8"-16	EG	0.10
P1008TIM EG	193326	PS TG 3/8" IM EG	Any 1 5/8" Channel	3/8"-16	EG	0.10
P1008TUSEG	193395	PS TG 3/8" US EG	Any 1 5/8" Channel	3/8"-16	EG	0.10
P1008TU SS	—	—	Any 1 5/8" Channel	3/8"-16	SS	0.10
	713846	PS TG	Any Channel	3/8"-16	EG	0.10
P1010TIM EG	—	—	Any 1 5/8" Channel Except P3300, P4000, P4400, P4100	1/2"-13	EG	0.15
P1010TUSEG	—	—	Any 1 5/8" Channel Except P3300, P4000, P4400, P4100	1/2"-13	EG	0.15
P4010UT SS	—	—	P3300, P4000, P4400, P4520, P4100	1/2"-13	SS	0.11

1 5/8" Series Channel Nuts

P1012S THRU P1024S - Channel Nuts w/Spring (1-5/8" Series)

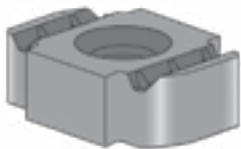
Click brand for more product info ↓
[Unistrut](#)



Part Number	Use With	Thread Size	Finish	Product Weight per Piece (lb)
P1012S EG	P1000, P1100, P2000, P3000	5/8" - 11	EG	0.21

P1012 THRU P1024 - Channel Nuts w/o Spring (1 5/8" Series)

Click brand for more product info ↓
[Unistrut](#)



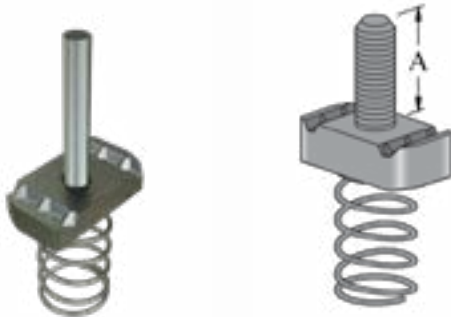
Part Number	Use With	Thread Size	Finish	Product Weight per Piece (lb)
P1012	Any channel except P3300, P4000, P4400, P4520, P4100, P3301, P4001, P4401, P4521	5/8" - 11	EG	0.20

1 5/8" Series Channel Nuts

P2378 THRU P2382 - Channel Stud Nuts (1 5/8" Series)

Click brand for more product info ↓

[Unistrut](#)

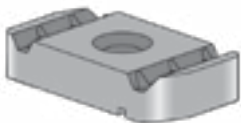


Part Number	Use With	Thread Size	Finish	Product Weight per Piece (lb)
P2381-4 EG	P1000, P1100, P3000	1/2" -13	EG	0.17

P3006 THRU P3013 - Channel Nuts w/o Spring (1 5/8" Series)

Click brand for more product info ↓

[Unistrut](#)



Part Number	Use With	Thread Size	Finish	Product Weight per Piece (lb)
P3006-1420EG	Any 1 5/8" Channel	1/4"-20	EG	0.06
P3008 EG	Any 1 5/8" Channel	3/8"-16	EG	0.09
P3010 EG	Any 1 5/8" Channel Except P3300, P4000, P4400, P4100	1/2"-13	EG	0.11
P3010 HG	Any 1 5/8" Channel Except P3300, P4000, P4400, P4100	1/2"-13	HG	0.11

1 5/8" Series Channel Nuts

P4006 THRU P4010 - Channel Nuts w/Spring (1 5/8" Series)

[Click brand for more product info](#) ↓

[Unistrut](#)

PS SS - Channel Nuts w/ Spring (1 5/8" Series)

[Power-Strut](#)



Unistrut Part Number	Power-Strut Part Number	Power-Strut Catalog Number	Use With	Thread Size	Finish	Product Weight per Piece (lb)
P4006-1420AL	—	—	P3300, P4100	1/4"-20	AL	0.03
P4006-1420EG	—	—	P3300, P4000, P4100, P4400, P4520, P3301, P4001, P4101, P4401, P4521	1/4"-20	EG	0.07
P4006-1420SS	—	—	P3300, P4100	1/4"-20	SS	0.07
P4006U1420SS	—	—	P3300, P4100	1/4"-20	SS	0.07
P4007 EG	—	—	P3300, P4000, P4100, P4400, P4520, P3301, P4001, P4101, P4401, P4521	5/16"-18	EG	0.08
P4008 EG	—	—	P3300, P4000, P4100, P4400, P4520, P3301, P4001, P4101, P4401, P4521	3/8"-16	EG	0.09
P4008 HG	—	—	P3300, P4100	3/8"-16	HG	0.10
P4008 SS	—	—	P3300, P4100	3/8"-16	SS	0.10
—	728661	PS SS	PS 400, PS 500, PS 520, PS 560	3/8"-16	EG	0.08
P4010 EG	—	—	P3300, P4000, P4100, P4400, P4520, P3301, P4001, P4101, P4401, P4521	1/2" -13	EG	0.09

1 5/8" Series Channel Nuts

P5506 THRU P5510 - Channel Nuts w/Spring (1 5/8" Series)

[Click brand for more product info](#) ↓

[Unistrut](#)



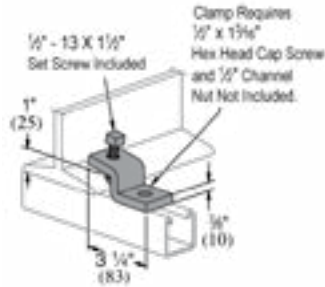
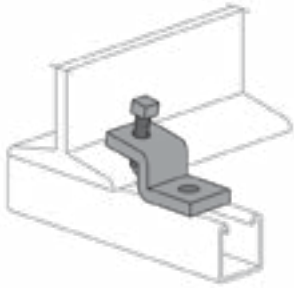
Part Number	Use With	Thread Size	Finish	Product Weight per Piece (lb)
P5510 EG	P5000, P5500	1/2" -13	EG	0.12

Beam Clamps

Click brand for more product info ↓

[Unistrut](#)

P1379S - Beam Clamp

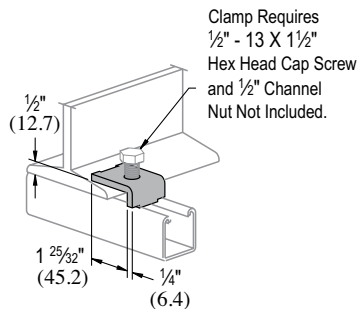
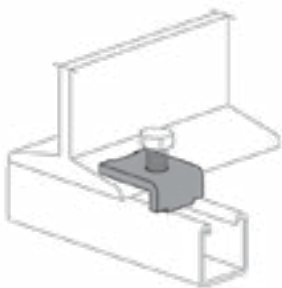


Part Number	Finish	Product Weight per Piece (lb)
P1379S EG	EG	0.75

P1386 - Beam Clamp

Click brand for more product info ↓

[Unistrut](#)



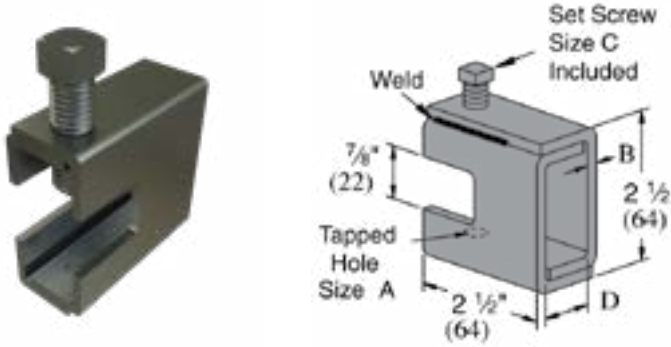
Part Number	Finish	Product Weight per Piece (lb)
P1386 EG	EG	0.27

Beam Clamps

P1648S THRU P1653S - Beam Clamp

[Click brand for more product info](#) ↓

[Unistrut](#)



Part Number	Finish	Product Weight per Piece (lb)
P1651S SS	SS (304)	1.30

P1796S - Window Beam Clamp

[Click brand for more product info](#) ↓

[Unistrut](#)



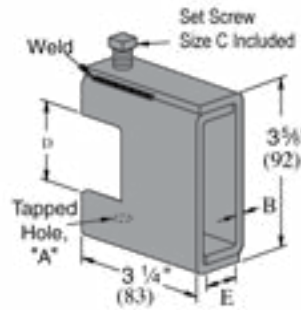
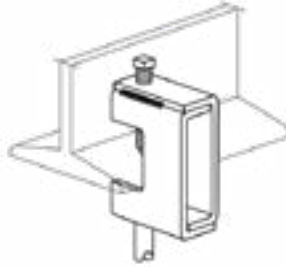
Part Number	Use With	Finish	Product Weight per Piece (lb)
P1796S EG	P1000, P1101, P4101	EG	1.03
P1796S HG	P1000, P1101, P4101	HG	1.09
P1796S SS	P1000, P1101, P4101	SS	1.20

Beam Clamps

P2398S THRU P2405S - Beam Clamp (1-5/8" Series)

[Click brand for more product info](#) ↓

[Unistrut](#)

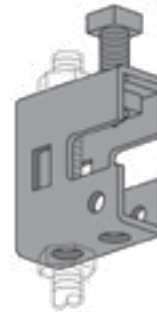
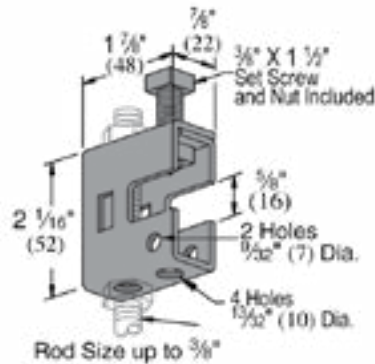


Part Number	Rod Size	Finish	Product Weight per Piece (lb)
P2403S EG	1/2" - 13	EG	2.01

P2675 - Beam Clamp

[Click brand for more product info](#) ↓

[Unistrut](#)



Part Number	Finish	Product Weight per Piece (lb)
P2675 HG	HG	0.35

Beam Clamps

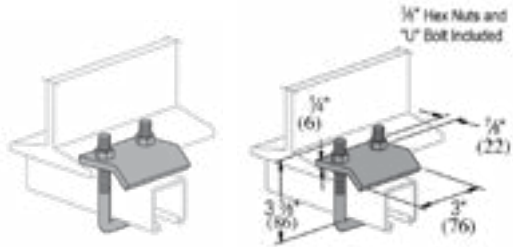
[Click brand for more product info](#) ↓

P2785 - Beam Clamp

[Unistrut](#)

PS 2651 - Beam Clamp

[Power-Strut](#)



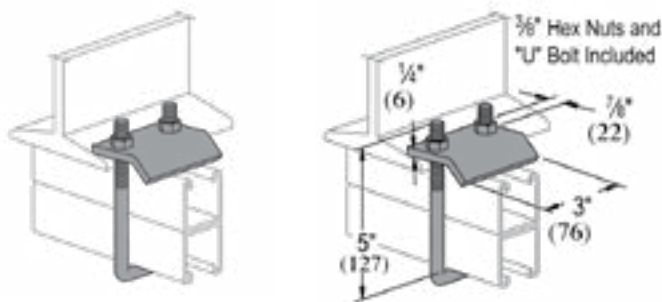
Design Load Each 1000 Lbs (4.45kN)
 Use in Pairs Only
 Beam flange width up to 3/4" (19.1 mm)
 U-Bolt and Hex Nuts included

Unistrut Part Number	Power-Strut Part Number	Power-Strut Catalog Number	Power-Strut Code	Use With	Finish	Product Weight per Piece (lb)
P2785 EG	—	—	—	P1000, P1100, P2000, P3000, P3300, P3301, P4000, P4001, P4100, P4101	EG	0.83
—	715501	PS 2651	T1	PS 200, PS 210, PS 300, PS 400, PS 500, PS 520	EG	0.83
P2785 HG	—	—	—	P1000, P1100, P2000, P3000, P3300, P3301, P4000, P4001, P4100, P4101	HG	0.88
—	715511	PS 2651	T2	PS 100, PS 150, PS 200 2T3	EG	0.92
P2785 SS	—	—	—	P1000, P1100, P2000, P3000, P3300, P3301, P4000, P4001, P4100, P4101	SS	0.83

[Click brand for more product info](#) ↓

P2786 - Beam Clamp

[Unistrut](#)



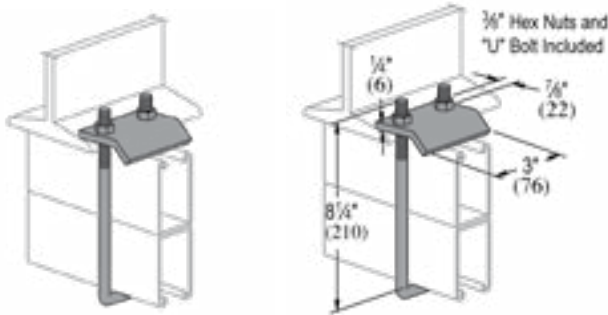
Part Number	Use With	Finish	Product Weight per Piece (lb)
P2786 EG	P1001, P1101, P2001, P3001, P5000, and P5500	EG	0.92
P2786 HG	P1001, P1101, P2001, P3001, P5000, and P5500	HG	0.98

Beam Clamps

[Click brand for more product info](#) ↓

P2787 - Beam Clamp

[Unistrut](#)

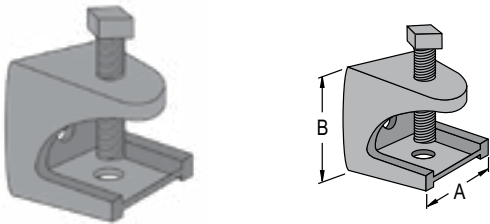


Part Number	Finish	Product Weight per Piece (lb)
P2787 EG	EG	1.12

[Click brand for more product info](#) ↓

P2894 - Beam Clamp

[Unistrut](#)



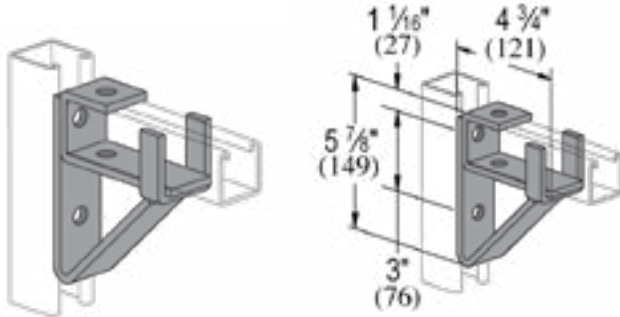
Part Number	Rod Size (in)	"A"		"B"		Finish	Product Weight per Piece (lb)
		(in)	(mm)	(in)	(mm)		
P2894-25 EG	1/4	1 1/8	29.0	1 1/4	32.0	EG	0.23
P2894-37 EG	3/8	2	50.8	2	50.8	EG	0.95

Brackets & Braces

[Click brand for more product info](#) ↓

P1075 - Bracket

[Unistrut](#)

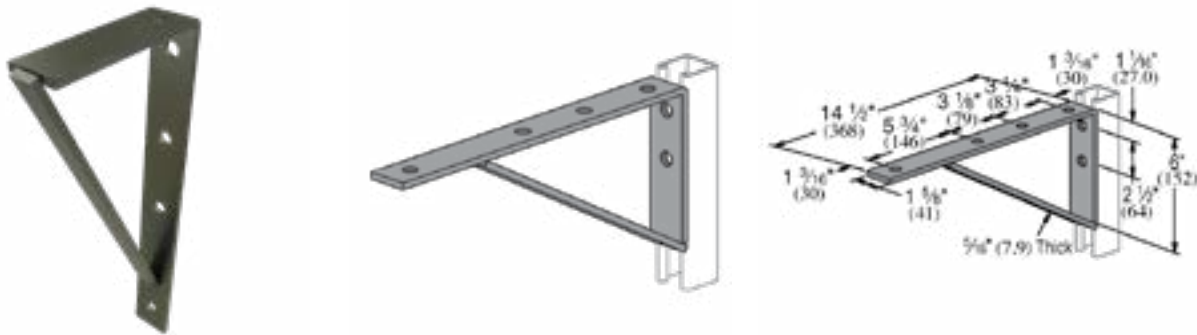


Part Number	Finish	Product Weight per Piece (lb)
P1075 EG	EG	2.29
P1075 HG	HG	2.42

[Click brand for more product info](#) ↓

P1775 - 14-1/2" Bracket

[Unistrut](#)



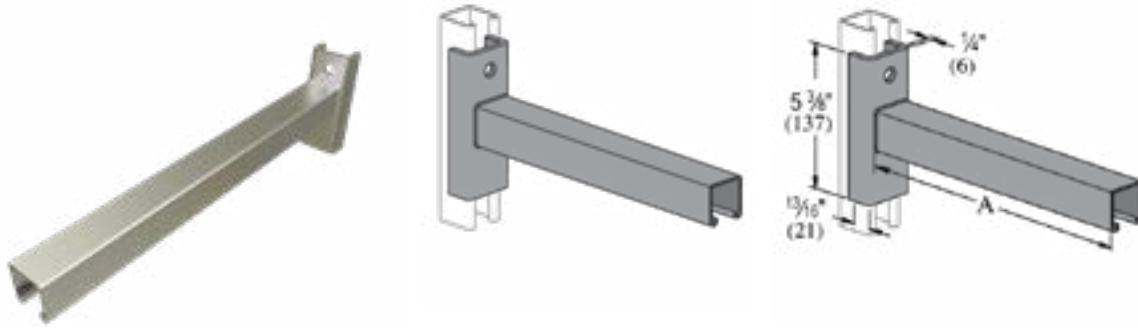
Part Number	Finish	Product Weight per Piece (lb)
P1775 HG	HG	3.18

Brackets & Braces

P2233A & P2234A - 18" - 24" Bracket (slot down) (1-5/8" Series)

[Click brand for more product info](#)

[Unistrut](#)

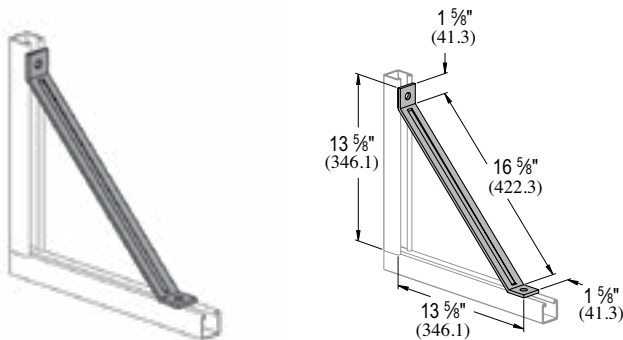


Part Number	Finish	Product Weight per Piece (lb)
P2234A HG	HG	5.61

P2452 - Knee Brace

[Click brand for more product info](#)

[Unistrut](#)



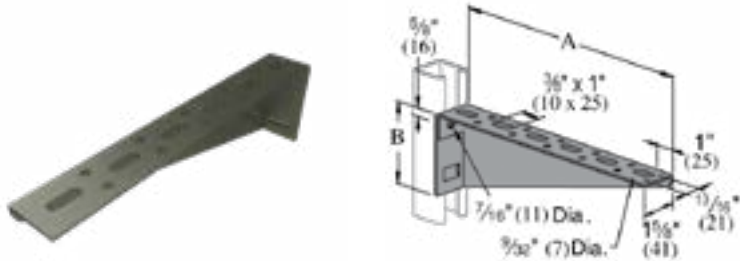
Part Number	Finish	Product Weight per Piece (lb)
P2452 EG	EG	2.27
P2452 HG	HG	2.40

Brackets & Braces

P2494 THRU P2499 - 12" to 22" Bracket (1-5/8" Series)

[Click brand for more product info](#) ↓

[Unistrut](#)

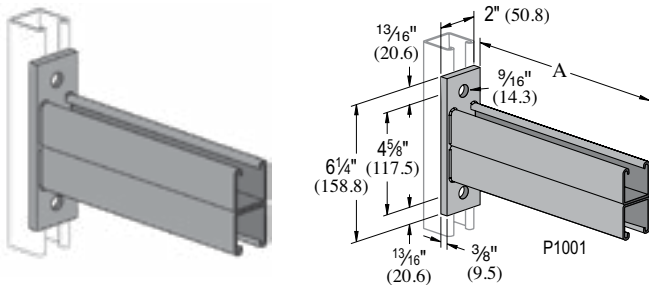


Part Number	Finish	Product Weight per Piece (lb)
P2499L HG	HG	3.66

P2542 THRU P2546 - Bracket (slots up and down)

[Click brand for more product info](#) ↓

[Unistrut](#)



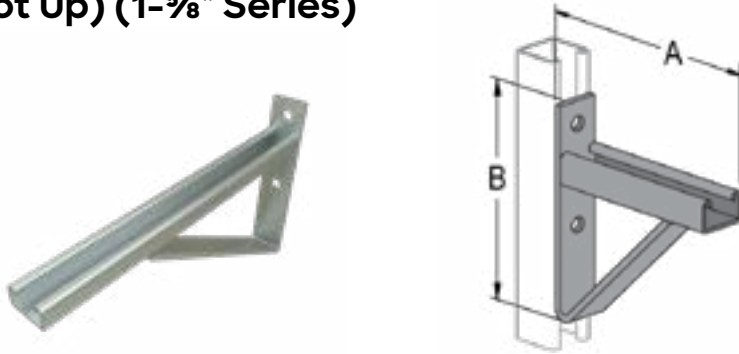
Part Number	"A"		Finish	Product Weight per Piece (lb)
	(in)	(mm)		
P2542 GR	12	305.0	GR	5.020
P2542 HG	12	305.0	HG	5.321
P2543 HG	18	457.2	HG	7.335
P2544 HG	24	609.6	HG	9.349
P2545 HG	30	762.0	HG	11.363
P2546 HG	36	914.0	HG	13.377

Brackets & Braces

P2547 THRU P2551 - 15" thru 39" Cable Tray Bracket (Slot Up) (1-5/8" Series)

[Click brand for more product info](#) ↓

[Unistrut](#)



Part Number	"A"		Finish	Product Weight per Piece (lb)
	(in)	(mm)		
P2547 HG	15	381	HG	4.45
P2548 HG	21	533	HG	6.66
P2549 HG	27	686	HG	9.12
P2550 HG	33	838	HG	10.71
P2551 HG	39	991	HG	13.32

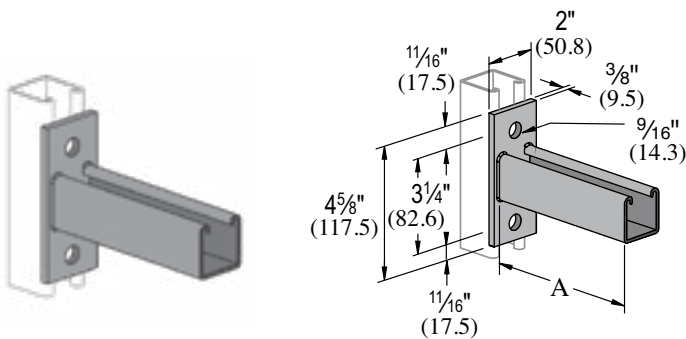
P2944 THRU P2947 - Bracket (slot up)

[Click brand for more product info](#) ↓

[Unistrut](#)

PS 651 - Bracket (slot up)

[Power-Strut](#)



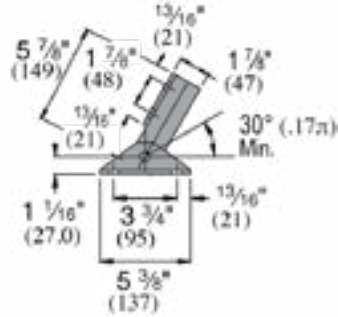
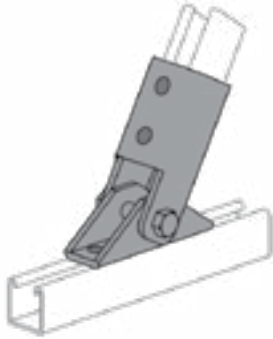
Unistrut Part Number	Power-Strut Part Number	Power-Strut Catalog Number	"A"		Finish	Product Weight per Piece (lb)
			(in)	(mm)		
P2944 HG	—	—	6	152	HG	1.41
P2945 HG	—	—	12	305	HG	3.11
P2945 SS	—	—	12	305	SS	2.93
—	719521	PS 651	18	457	EG	4.00
P2947 HG	—	—	24	610	HG	5.09
P2947 SS	—	—	24	610	SS	5.09

Brace Fittings

Click brand for more product info ↓

[Unistrut](#)

P2815 - Adjustable Brace Fitting

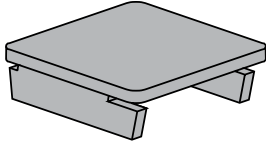


Part Number	Finish	Product Weight per Piece (lb)
P2815 EG	EG	3.07
P2815 HG	HG	3.25

Closure Strips, End Caps & Frame Caps

P1180 THRU P5580 - End Cap (1-5/8" Series)

Click brand for more product info ↓
[Unistrut](#)



Part Number	Use With Channel	Finish	Product Weight per Piece (lb)
P1180 EG	P1100, P4000, P5000, P5500	EG	0.12
P5280 EG	P1100, P4000, P5000, P5500	EG	0.22

P1184P - PVC Closure Strip

Click brand for more product info ↓
[Unistrut](#)



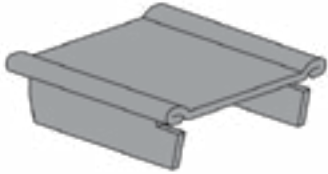
Part Number	Catalog Number	Length (ft)	Finish	Product Weight per Piece (lb)
777093	P1184P 10GY	10	GY	0.11

Closure Strips, End Caps & Frame Caps

Click brand for more product info ↓

P1280 - End Cap for P1000

[Unistrut](#)



Part Number	Use With	Finish	Product Weight per Piece (lb)
P1280 EG	P1000	EG	0.11
P1280 SS	P1000	SS	0.11

Click brand for more product info ↓

P2407 THRU P3380 - End Cap (1 5/8" Series)

[Unistrut](#)



Part Number	Use With	Finish	Product Weight per Piece (lb)
P2407 EG	P1000, P3000, P3300	EG	0.10
P3380 EG	P1000, P3000, P3300	EG	0.05

Closure Strips, End Caps & Frame Caps

Click brand for more product info ↓

P2859 - Frame Caps (1-5/8" Series)

[Unistrut](#)

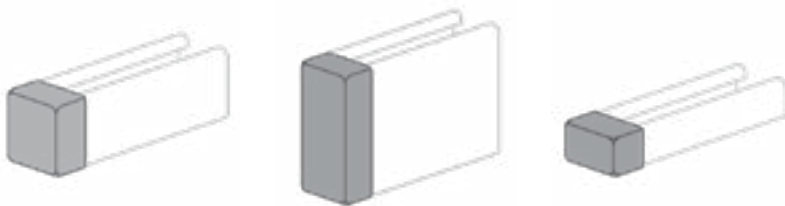


Part Number	Use With	Finish	Product Weight per Piece (lb)
P2859-10 GY	P1000, P1001, P3300, P5000, P5500	Grey	0.03
P2859-10 WH	P1000, P1001, P3300, P5000, P5500	White	0.03

Click brand for more product info ↓

P2860 - Plastic White End Caps (1 5/8" Series)

[Unistrut](#)



Part Number	Use With	Finish	Product Weight per Piece (lb)
P2860-10 VY	P1000, P1100, P2000, P9000	VY	0.034
P2860-33 VY	P3300	VY	0.025
P2860-50 VY	P5000, P1001	VY	0.050

Closure Strips, End Caps & Frame Caps

Click brand for more product info ↓

P3184P - Plastic Closure Strip

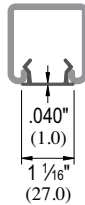
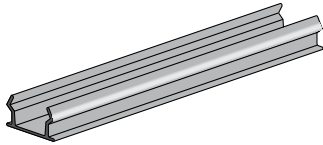
[Unistrut](#)

P3712P - Plastic Closure Strip

[Unistrut](#)

PS 707P - Plastic Closure Strip

[Power-Strut](#)



Unistrut Part Number	Power-Strut Part Number	Power-Strut Catalog Number	Length (ft)	Finish	Product Weight per Foot (lb/ft)
P3184P 10GY	—	—	10	Grey	0.10
P3184P 10WH	—	—	10	White	0.10
P3712 P	—	—	10	Black	0.054
—	698101	PS 707P	10	Grey	0.10

Click brand for more product info ↓

P3184 - 1-5/8" x .040" Closure Strip

[Unistrut](#)

PS 707 - 1 5/8" x .040" Closure Strip

[Power-Strut](#)



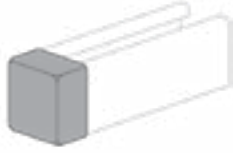
Unistrut Part Number	Power-Strut Part Number	Power-Strut Catalog Number	Length (ft)	Finish	Product Weight per Foot (lb/ft)
P3184 10PG	—	—	10	PG	0.47
—	721324	PS 707	10	PG	0.47

Closure Strips, End Caps & Frame Caps

PS 6153 - Strut Safety End Cap

[Click brand for more product info](#) ↓

Power-Strut



Part Number	Catalog Number	Use With	Color	Product Weight per 100 Pieces (lb)
710839	PS 6153 2	PS 200, PS 210	White	2.8
710840	PS 6153 5	PS 500, PS 520, PS 560	White	2.0
815660	PS 6153 5	PS 500, PS 520, PS 560	Red	2.0

121516 - End Cap

[Click brand for more product info](#) ↓

Unistrut



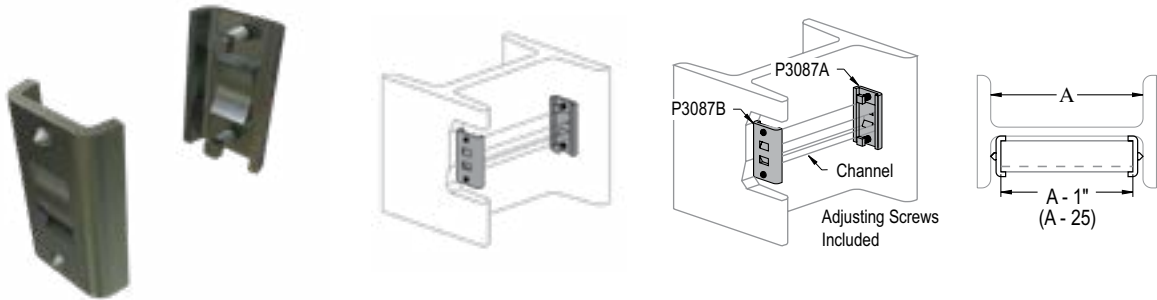
Part Number	Catalog Number	Use With	Finish	Product Weight per Piece (lb)
777229	121516 EG	P3300	EG	—

Concrete Inserts

P3087 & P3088 - Column Insert

[Click brand for more product info](#) ↓

[Unistrut](#)

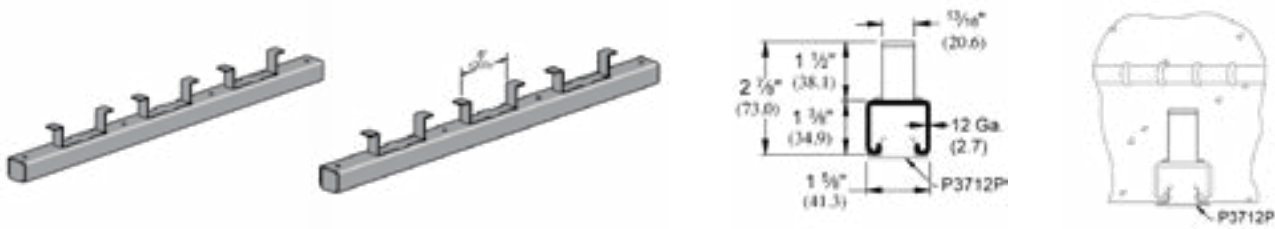


Part Number	Finish	Product Weight per Piece (lb)
P3087 EG	EG	1.36

P3254 THRU P3270 - Concrete Insert

[Click brand for more product info](#) ↓

[Unistrut](#)



Part Number	Length (ft)	Finish	Product Weight per Piece (lb)
P3256WC PG	2.0	PG	3.85

Hardware

[Click brand for more product info](#) ↓

ATHR - Steel Threaded Rod

[Unistrut](#)



Part Number	Catalog Number	Thread Size	Length (ft)	Finish	Product Weight per Piece (lb)
866007	ATHR-T 1/4 10EG	1/4"x20	10	EG	1.3
866009	ATHR-T 3/8 10EG	3/8"x16	10	EG	3.0
866005	ATHR-T 1/2 10EG	1/2"x13	10	EG	5.3

HTHR - Steel Threaded Rod (1-5/8" Series)

[Click brand for more product info](#) ↓

[Unistrut](#)

PS 146 - Steel Threaded Rod

[Power-Strut](#)



Unistrut Part Number	Unistrut Catalog Number	Power-Strut Part Number	Power-Strut Catalog Number	Thread Size	Length (ft)	Finish	Product Weight per Foot (lb)
302151	HTHR025 06EG	—	—	1/4	6	EG	0.13
302154	HTHR025 10EG	267401	PS 146 1/4 10' EG	1/4	10	EG	0.12
302163	HTHR037 06EG	—	—	3/8	6	EG	0.29
302166	HTHR037 10EG	267421	PS 146 3/8 10' EG	3/8	10	EG	0.29
302174	HTHR050 06EG	—	—	1/2	6	EG	0.53
302177	HTHR050 10EG	267431	PS 146 1/2 10' EG	1/2	10	EG	0.53
302188	HTHR062 10EG	—	—	5/8	10	EG	0.85
302195	HTHR075 10EG	—	—	3/4	10	EG	1.24

Hardware

P1062, P1063, P1064, P1964, P2471 and P2490 - Square Washer (1-5/8" Series)

Click brand for more product info ↓

[Unistrut](#)

PS 619 - Square Washer

[Power-Strut](#)

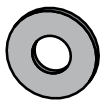


Unistrut Part Number	Power-Strut Part Number	Power-Strut Catalog Number	Rod Size (in)	Hole Diameter (in)	Finish	Product Weight per Piece (lb)
—	720881	PS 619	1/4	11/32	EG	0.180
P1062 EG	—	—	5/16	11/32	EG	0.180
P1062 SS	—	—	5/16	11/32	SS	0.180
P1063 EG	720891	PS 619	3/8	7/16	EG	0.180
P1063 HG	720892	PS 619	3/8	7/16	HG	0.191
P1063 SS	14203	PS 619	3/8	7/16	SS	0.170
P1064 EG	720901	PS 619	1/2	9/16	EG	0.170
P1064 HG	—	—	1/2	9/16	HG	0.180
P1064 SS	—	—	1/2	9/16	SS	0.170
P1964 EG	—	—	5/8	11/16	EG	0.160

HFLW - Flat Washer

Click brand for more product info ↓

[Unistrut](#)



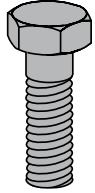
Part Number	Size (in)	Finish	Product Weight per Piece (lb)
HFLW025 EG	1/4	EG	0.01
HFLW037 EG	3/8	EG	0.02
HFLW050 EG	1/2	EG	0.04
HFLW062 EG	5/8	EG	—

Hardware

HHCS - Hex Head Screw

Click brand for more product info ↓

[Unistrut](#)



Part Number	Size	Finish	Product Weight per Piece (lb)
HHCS025075EG	1/4" x 3/4"	EG	0.02
HHCS025100EG	1/4" x 1"	EG	0.03
HHCS025150EG	1/4" x 1 1/2"	EG	0.03
HHCS037100EG	3/8" x 1"	EG	0.05
HHCS037125EG	3/8" x 1 1/4"	EG	0.06
HHCS037125SS	3/8" x 1 1/4"	SS	0.06
HHCS037150EG	3/8" x 1 1/2"	EG	0.06
HHCS037150SS	3/8" x 1 1/2"	SS	0.06
HHCS050094EG	1/2" x 1 5/16"	EG	0.09
HHCS050119EG	1/2" x 1 3/16"	EG	0.11
HHCS050125EG	1/2" x 1 1/4"	EG	0.11
HHCS050150EG	1/2" x 1 1/2"	EG	0.12
HHCS050175EG	1/2" x 1 3/4"	EG	0.13
HHCS050200EG	1/2" x 2"	EG	0.15

Hardware

Click brand for more
product info ↓

HHXN - Hex Nut

[Unistrut](#)



Part Number	Size	Finish	Product Weight per Piece (lb)
	(in)		
HHXN037 EG	3/8	EG	0.02
HHXN050 EG	1/2	EG	0.05
HHXN062 EG	5/8	EG	0.07

Click brand for more
product info ↓

HLKW - Lock Washers

[Unistrut](#)



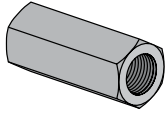
Part Number	Size	Finish	Product Weight per Piece (lb)
	(in)		
HLKW031 EG	5/16	EG	0.01
HLKW037 EG	3/8	EG	0.01
HLKW050 EG	1/2	EG	0.01

Hardware

HRCN - Rod Coupler (1-5/8" Series)

[Click brand for more product info](#) ↓

[Unistrut](#)

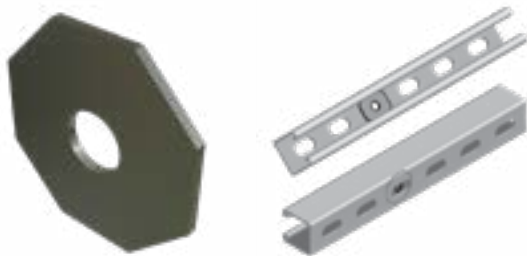


Part Number	Size	Length		Finish	Product Weight per Piece (lb)
		(in)	(mm)		
HRCN025 EG	1/4" - 20	7/8	22.2	EG	0.03
HRCN037 EG	3/8" - 16	1 3/4	44.5	EG	0.12

HOCW - Slot Adapter

[Click brand for more product info](#) ↓

[Unistrut](#)



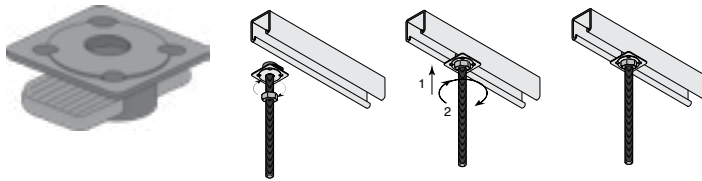
Part Number	Finish	Product Weight per Piece (lb)
HOCW037 EG	EG	0.02

Hardware

K1062 THRU K1064 - Kwik Washer

[Click brand for more product info](#) ↓

[Unistrut](#)



Overhead installation with one hand.
Available in zinc plated and hot dip galvanized

Part Number	Size		Load		Finish	Product Weight per Piece (lb)
	(in)	(mm)	(lb)	(kN)		
K1062 EG	¼	6.4	250	1.11	EG	0.13
K1063 EG	⅜	9.5	610	2.71	EG	0.13
K1064 EG	½	12.7	1,130	5.03	EG	0.12

P2485 - Cradle Clip

[Click brand for more product info](#) ↓

[Unistrut](#)



Seismic Rod Stiffener
OPM-0295-13 Pre-Approved
Use with P3008 & HHCS037100 (sold separately)

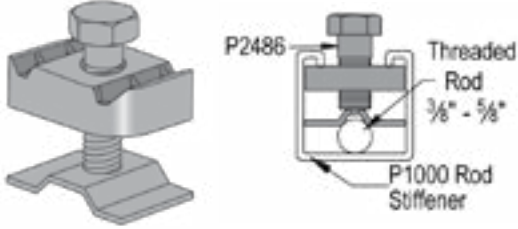
Part Number	Finish	Product Weight per Piece (lb)
P2485 EG	EG	0.03

Hardware

[Click brand for more product info](#) ↓

[Unistrut](#)

P2486 - Seismic Rod Stiffener



OPM-0295-13 Pre-Approved

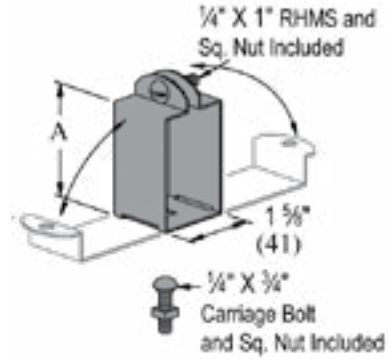
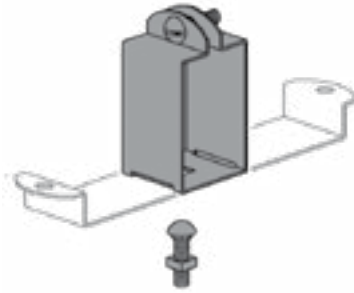
Part Number	Rod Size (in)	Finish	Product Weight per Piece (lb)
P2486 EG	3/8 thru 5/8 R	EG	0.16

Electrical Fittings

Click brand for more product info ↓

P2539 - Fluorescent Fixture Hangers (1-5/8" Series)

[Unistrut](#)



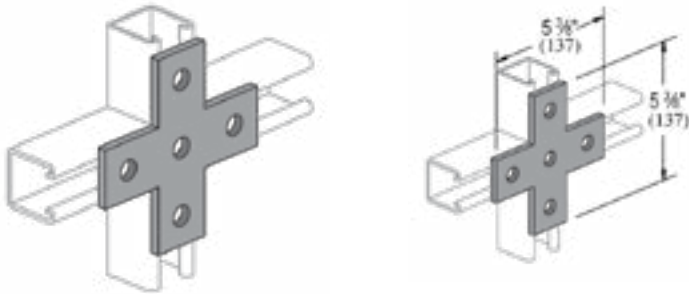
Part Number	Use With	Finish	Product Weight per Piece (lb)
P2539 EG	P1000, P1100, P3000, P5500	EG	0.17

Flat Plate Fittings

[Click brand for more product info](#) ↓

P1028 - 5 Hole, Flat Plate Fitting

[Unistrut](#)



Part Number	Finish	Product Weight per Piece (lb)
P1028 EG	EG	1.05

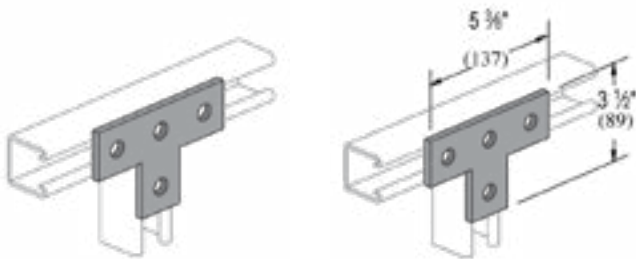
P1031 - 4 Hole, Flat Plate Fitting

[Click brand for more product info](#) ↓

[Unistrut](#)

PS 714 - 4 Hole, Flat Plate Fitting

[Power-Strut](#)



Unistrut Part Number	Power-Strut Part Number	Power-Strut Catalog Number	Finish	Product Weight per Piece (lb)
P1031 EG	750381	PS 714 EG	EG	0.80
P1031 HG	—	—	HG	0.85
P1031 SS	—	—	SS	0.80

Flat Plate Fittings

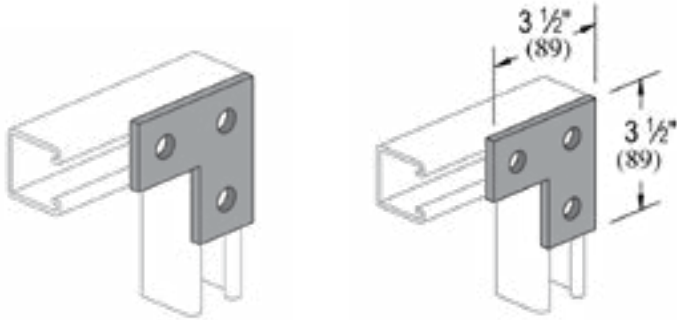
P1036 - 3 Hole, Flat Plate Fitting

[Click brand for more product info](#) ↓

[Unistrut](#)

PS 718 - 3 Hole, Flat Plate Fitting

[Power-Strut](#)

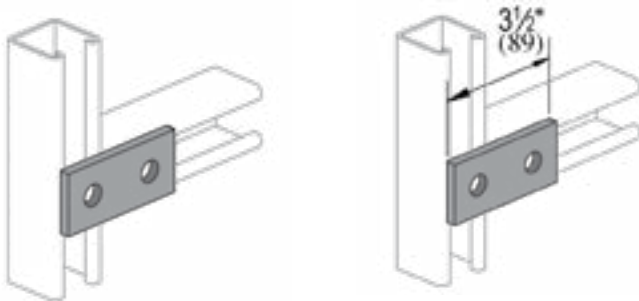


Unistrut Part Number	Power-Strut Part Number	Power-Strut Catalog Number	Finish	Product Weight per Piece (lb)
P1036 EG	750541	PS 718	EG	0.580

P1065 - 2 Hole, Flat Plate Fitting

[Click brand for more product info](#) ↓

[Unistrut](#)



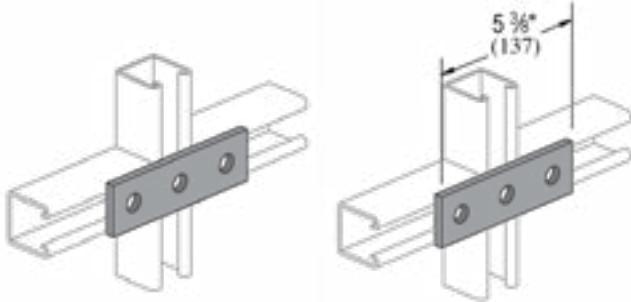
Part Number	Finish	Product Weight per Piece (lb)
P1065 EG	EG	0.38

Flat Plate Fittings

[Click brand for more product info](#) ↓

P1066 - 3 Hole, Flat Plate Fitting

[Unistrut](#)



Part Number	Finish	Product Weight per Piece (lb)
P1066 EG	EG	0.56

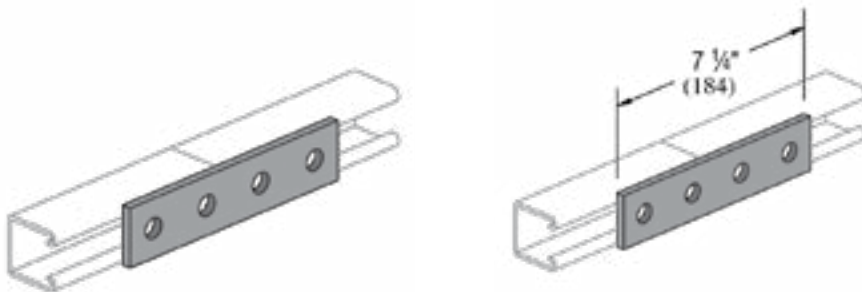
P1067 - 4 Hole, Flat Plate Fitting

[Click brand for more product info](#) ↓

[Unistrut](#)

PS 888 - 4 Hole, Flat Plate Fitting

[Power-Strut](#)



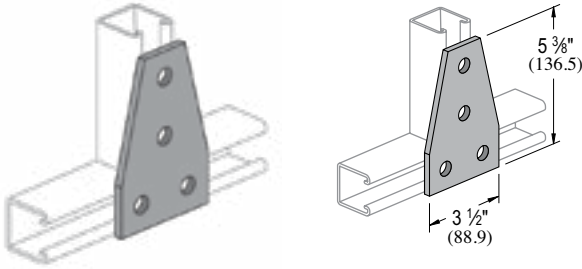
Unistrut Part Number	Power-Strut Part Number	Power-Strut Catalog Number	Finish	Product Weight per Piece (lb)
P1067 EG	719361	PS 888	EG	0.780
P1067 GR	—	—	GR	0.780
P1067 HG	—	—	HG	0.827

Flat Plate Fittings

P1358 - 4 Hole, Flat Plate Fitting

[Click brand for more product info](#) ↓

[Unistrut](#)

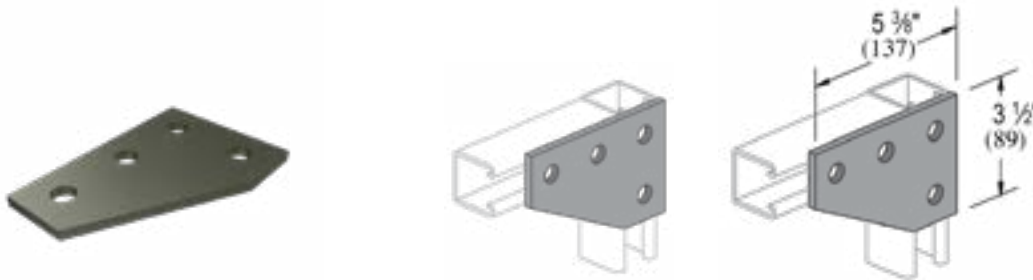


Part Number	Finish	Product Weight per Piece (lb)
P1358 EG	EG	1.05

P1380 - 4 Hole, Flat Plate Fitting

[Click brand for more product info](#) ↓

[Unistrut](#)



Part Number	Finish	Product Weight per Piece (lb)
P1380 EG	EG	1.05
P1380 SS	SS	1.05

Flat Plate Fittings

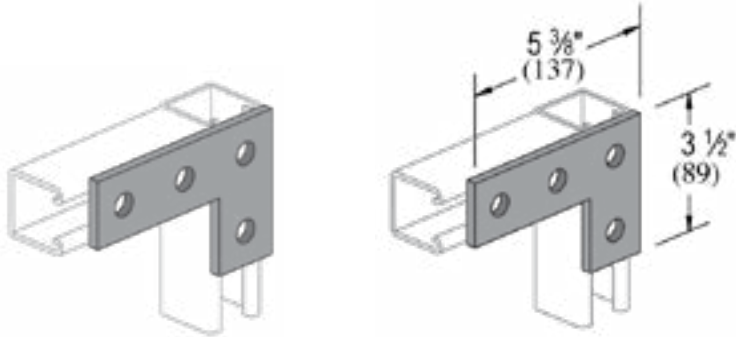
[Click brand for more product info](#) ↓

P1380A - 4 Hole, Flat Plate Fitting

[Unistrut](#)

PS 719 - 4 Hole, Flat Plate Fitting

[Power-Strut](#)

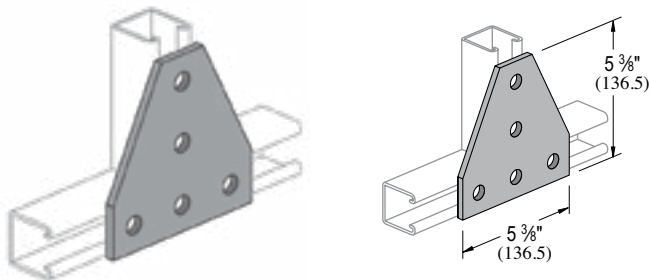


Unistrut Part Number	Power-Strut Part Number	Power-Strut Catalog Number	Finish	Product Weight per Piece (lb)
P1380A EG	697305	PS 719 EG	EG	0.80
P1380A HG	—	—	HG	0.85

[Click brand for more product info](#) ↓

P1726 - 5 Hole, Flat Plate Fitting

[Unistrut](#)



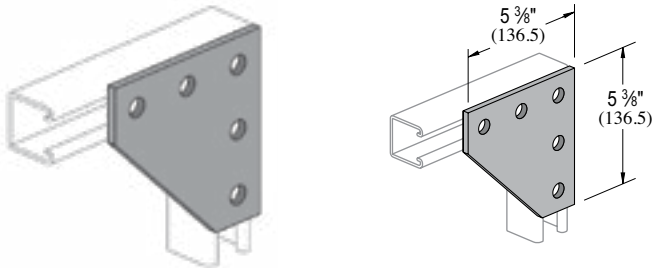
Part Number	Finish	Product Weight per Piece (lb)
P1726 EG	EG	1.48
P1726 HG	HG	1.63

Flat Plate Fittings

P1873 - 5 Hole, Flat Plate Fitting

[Click brand for more product info](#) ↓

[Unistrut](#)



Part Number	Finish	Product Weight per Piece (lb)
P1873 EG	EG	1.50

P1924 - 2 Hole, Flat Plate Fitting

[Click brand for more product info](#) ↓

[Unistrut](#)



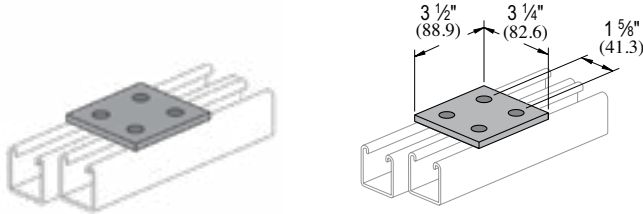
Part Number	Finish	Product Weight per Piece (lb)
P1924 EG	EG	0.35

Flat Plate Fittings

[Click brand for more product info](#) ↓

[Unistrut](#)

P2079 - 4 Hole, Flat Plate Fitting

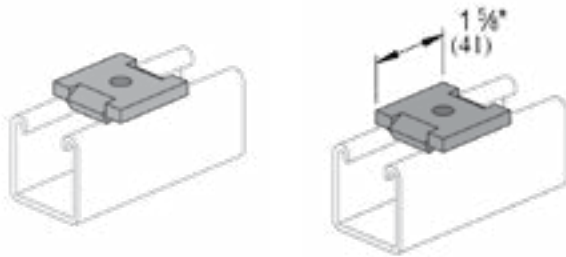


Part Number	Finish	Product Weight per Piece (lb)
P2079 HG	HG	0.78

P2862 THRU P2864 - 1 Hole, Flat Plate Fitting (1 5/8" Series)

[Click brand for more product info](#) ↓

[Unistrut](#)



Part Number	Rod Size (in)	Hole Diameter (in)	Finish	Product Weight per Piece (lb)
P2862 EG	5/16	11/32	EG	0.18
P2863 EG	3/8	7/16	EG	0.18
P2864 EG	1/2	9/16	EG	0.17
P2864 ZD	1/2	9/16	ZD	0.17

90° Fittings

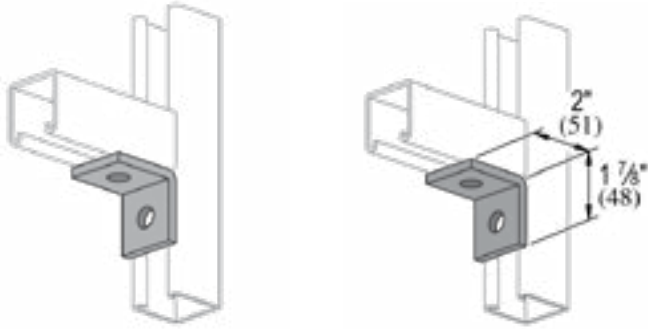
[Click brand for more product info](#) ↓

P1026 - 2 Hole, 90° Fitting

[Unistrut](#)

PS 603 - 2 Hole, 90° Fitting

[Power-Strut](#)

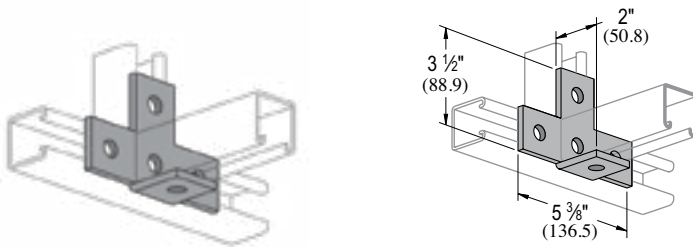


Unistrut Part Number	Power-Strut Part Number	Power-Strut Catalog Number	Finish	Product Weight per Piece (lb)
P1026 EG	720321	PS 603	EG	0.380
P1026 HG	—	—	HG	0.430
P1026 SS	—	—	SS	0.380

[Click brand for more product info](#) ↓

P1029 - 5 Hole, 90° Fitting

[Unistrut](#)



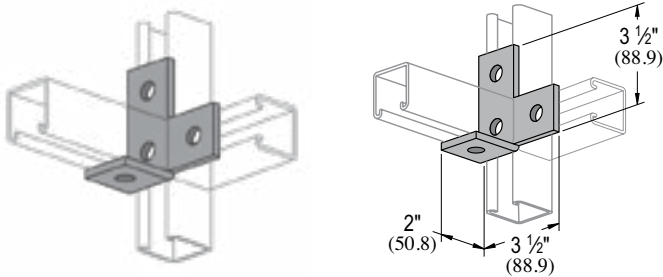
Part Number	Finish	Product Weight per Piece (lb)
P1029 EG	EG	1.05

90° Fittings

[Click brand for more product info](#) ↓

P1035 - 4 Hole, 90° Fitting

[Unistrut](#)



Part Number	Finish	Product Weight per Piece (lb)
P1035 EG	EG	0.80

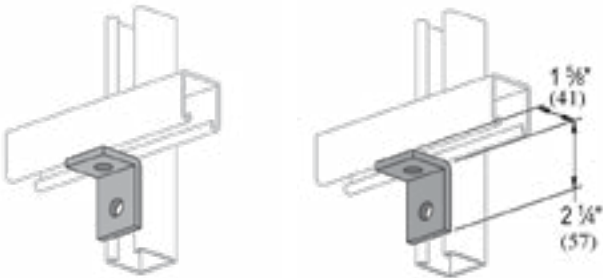
[Click brand for more product info](#) ↓

P1068 - 2 Hole, 90° Fitting

[Unistrut](#)

PS 604 - 2 Hole, 90° Fitting

[Power-Strut](#)



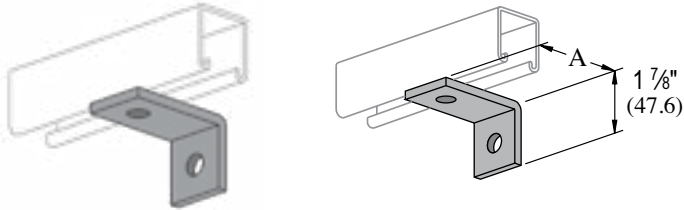
Unistrut Part Number	Power-Strut Part Number	Power-Strut Catalog Number	Finish	Product Weight per Piece (lb)
P1068 EG	719371	PS 604	EG	0.38
P1068 HG	—	—	HG	0.40
P1068 SS	—	—	SS	0.38

90° Fittings

P1281 THRU P1283 - 2 Hole, 90° Fitting

[Click brand for more product info](#) ↓

[Unistrut](#)

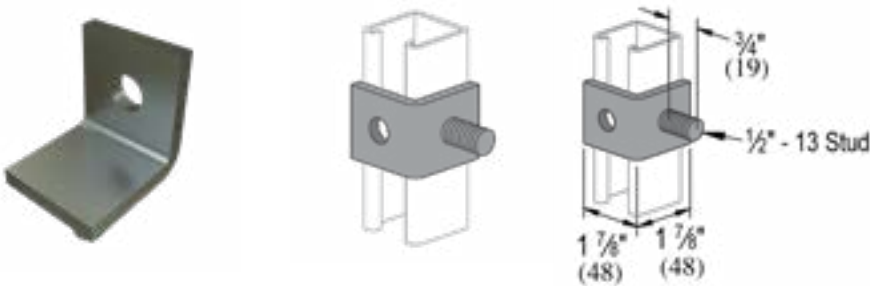


Part Number	A		Finish	Product Weight per Piece (lb)
	(in)	(mm)		
P1281 EG	3	76	EG	0.49

P1315 - 1 Hole, 1 Stud, 90° Fitting

[Click brand for more product info](#) ↓

[Unistrut](#)



Part Number	Finish	Product Weight per Piece (lb)
P1315 EG	EG	0.45

90° Fittings

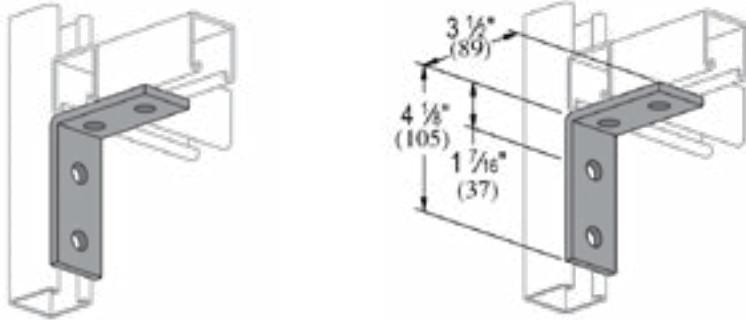
P1325 - 4 Hole, 90° Fitting

[Click brand for more product info](#) ↓

[Unistrut](#)

PS 607 - 4 Hole, 90° Fitting

[Power-Strut](#)

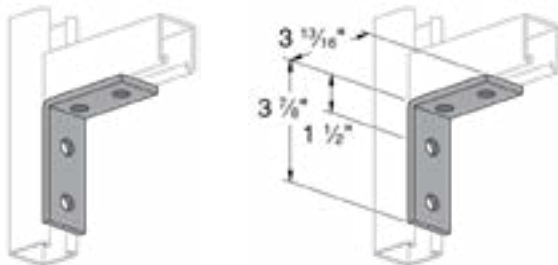


Unistrut Part Number	Power-Strut Part Number	Power-Strut Catalog Number	Finish	Product Weight per Piece (lb)
P1325 EG	719431	PS 607	EG	0.78
P1325 HG	719432	PS 607	HG	0.83
P1325 SS	13993	PS 607	SS	0.78

PS 660 - 4 Hole, Corner Angle

[Click brand for more product info](#) ↓

[Power-Strut](#)



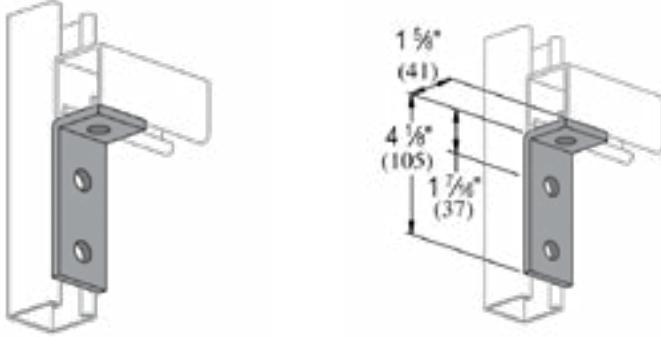
Part Number	Catalog Number	Finish	Product Weight per Piece (lb)
750871	PS 660	EG	—

90° Fittings

[Click brand for more product info](#) ▼

P1326 - 3 Hole, 90° Fitting

[Unistrut](#)

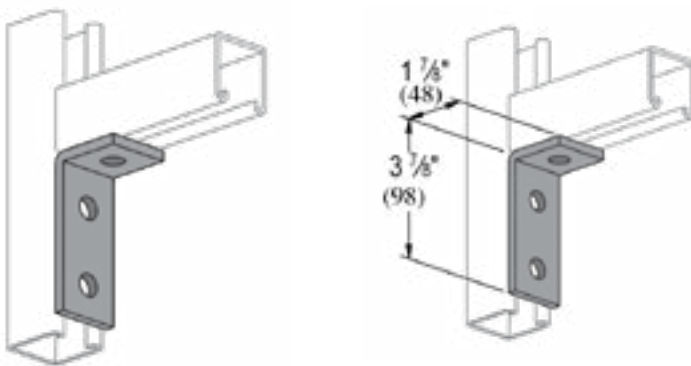


Part Number	Finish	Product Weight per Piece (lb)
P1326 EG	EG	0.58

[Click brand for more product info](#) ▼

P1346 - 3 Hole, 90° Fitting

[Unistrut](#)



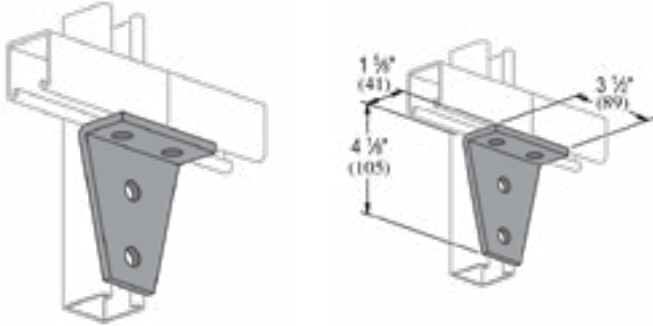
Part Number	Finish	Product Weight per Piece (lb)
P1346 EG	EG	0.58

90° Fittings

P1359 - 4 Hole, 90° Fitting

[Click brand for more product info](#)

[Unistrut](#)

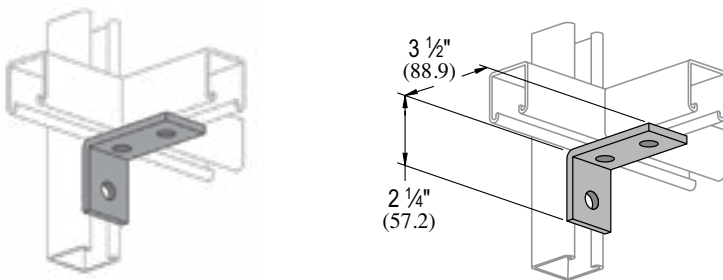


Part Number	Finish	Product Weight per Piece (lb)
P1359 EG	EG	1.05

P1458 - 3 Hole, 90° Fitting

[Click brand for more product info](#)

[Unistrut](#)



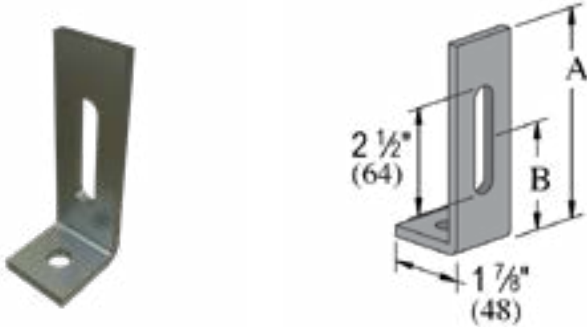
Part Number	Finish	Product Weight per Piece (lb)
P1458 EG	EG	0.580
P1458 HG	HG	0.615

90° Fittings

P1498 & P1499 - 1 Hole & 1 Slot, 90° Fitting

[Click brand for more product info](#) ↓

[Unistrut](#)

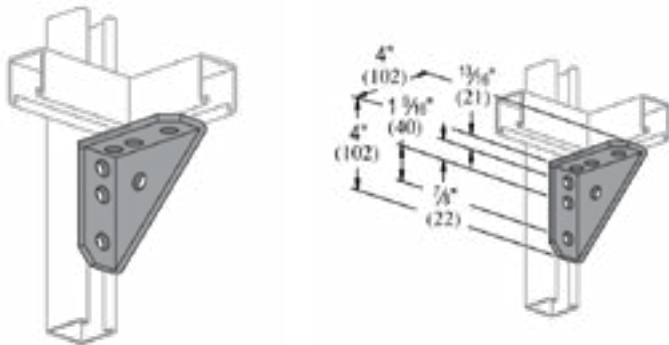


Part Number	Finish	Product Weight per Piece (lb)
P1499 HG	HG	0.90

P2484 - 7 Hole, 90° Gusseted Fitting

[Click brand for more product info](#) ↓

[Unistrut](#)



Part Number	Finish	Product Weight per Piece (lb)
P2484 EG	EG	1.34

Angular Fittings

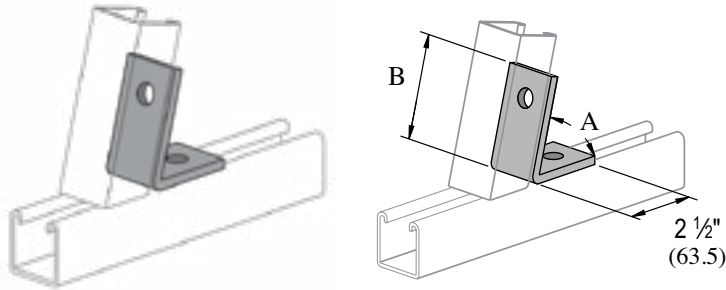
P1186, P2105 THRU P2110 - Inside Angle Fitting

[Click brand for more product info](#)

[Unistrut](#)

PS 624 - Inside Angle Fitting

[Power-Strut](#)

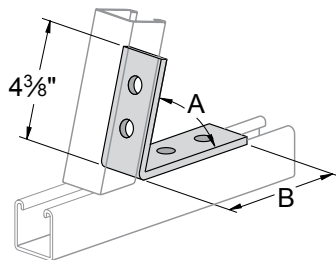


Unistrut Part Number	Power-Strut Part Number	Power-Strut Catalog Number	A	B		Finish	Product Weight per Piece (lb)
				(in)	(mm)		
P1186 EG	751051	PS 624 45 DEG	45°	3 1/8	79.0	EG	0.580
P1186 HG	—	—	45°	3 1/8	79.0	HG	0.615
P2107 HG	—	—	67 1/2°	3 1/8	79.0	HG	0.615
P2108 EG	—	—	60°	3 1/8	79.0	EG	0.580

PS 793 - 4-Hole Inside Angle Fitting

[Click brand for more product info](#)

[Power-Strut](#)



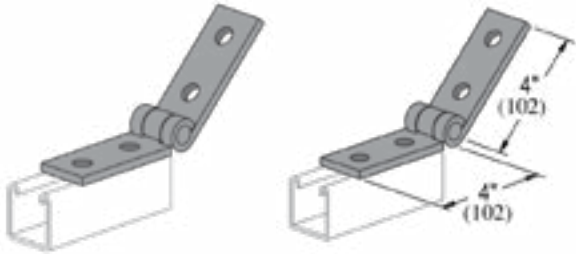
Part Number	Catalog Number	A	B		Finish	Product Weight per Piece (lb)
			(in)	(mm)		
731061	PS 793 45 DEGE	45°	4 15/16	125.0	EG	1.000

Angular Fittings

[Click brand for more product info](#) ↓

[Unistrut](#)

P1354 - Adjustable 4-Hole Hinge

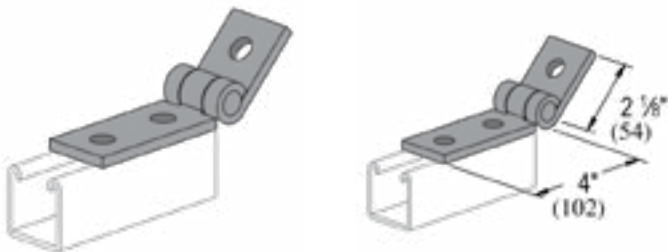


Part Number	Finish	Product Weight per Piece (lb)
P1354 EG	EG	1.09

P1354A - Adjustable 3-Hole Hinge

[Click brand for more product info](#) ↓

[Unistrut](#)



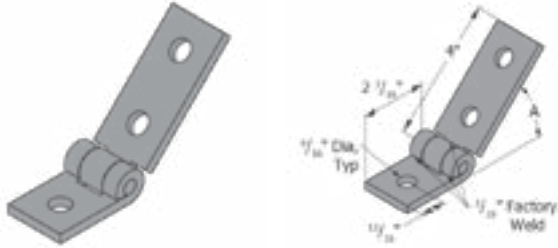
Part Number	Finish	Product Weight per Piece (lb)
P1354A EG	EG	0.89

Angular Fittings

[Click brand for more product info](#) ↓

P1354AW - Hinged Seismic Brace Fitting (for Strut)

[Unistrut](#)



Part Number	Finish	Product Weight per Piece (lb)
P1354AW EG	EG	1.09

*W" in Part Number designates that hinge has welds to increase strength

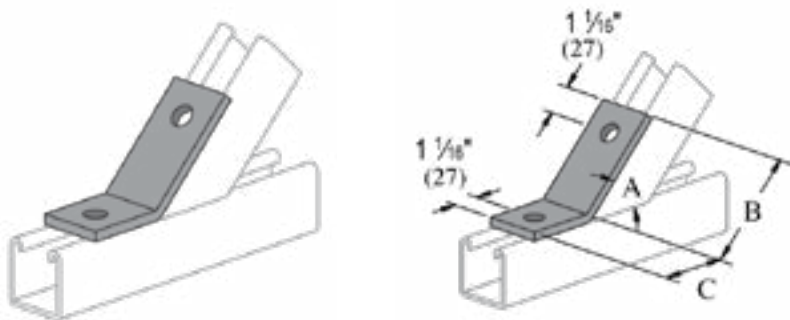
[Click brand for more product info](#) ↓

P1546, P2094 THRU P2100 - 2 Hole, Outside Angle Fitting (1 5/8" Series)

[Unistrut](#)

PS 633 - 2 Hole, Angular Fitting

[Power-Strut](#)



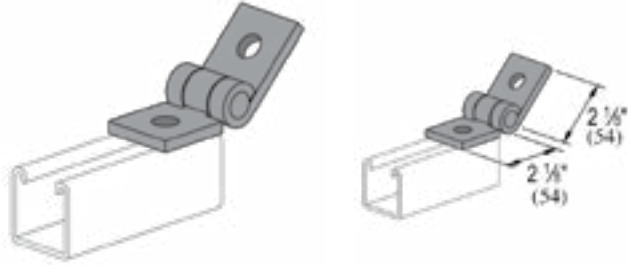
Unistrut Part Number	Power-Strut Part Number	Power-Strut Catalog Number	A (deg)	B		C		Finish	Product Weight per Piece (lb)
				(in)	(mm)	(in)	(mm)		
P1546 EG	751631	PS 633 45 DEG	45	3	76	2 5/16	59	EG	0.58
P1546 GR	—	—	45	3	76	2 5/16	59	GR	0.58
P1546 HG	—	—	45	3	76	2 5/16	59	HG	0.61
P2097 EG	—	—	45	—	—	—	—	EG	0.58

Angular Fittings

[Click brand for more product info](#) ↓

P1843 - Adjustable 2-Hole Hinge

[Unistrut](#)



Part Number	Finish	Product Weight per Piece (lb)
P1843 EG	EG	0.68

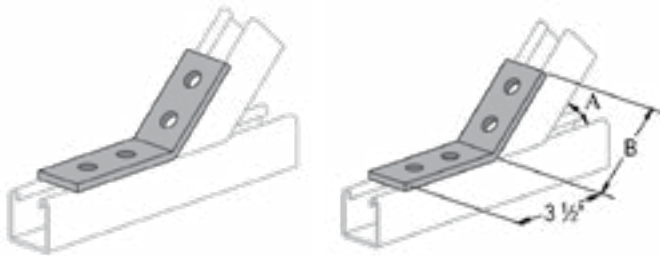
P2260 THRU P2270 - 4 Hole, Outside Angle Fitting (1 5/8" Series)

[Click brand for more product info](#) ↓

[Unistrut](#)

PS 781 - 4 Hole, Outside Angle Fitting

[Power-Strut](#)



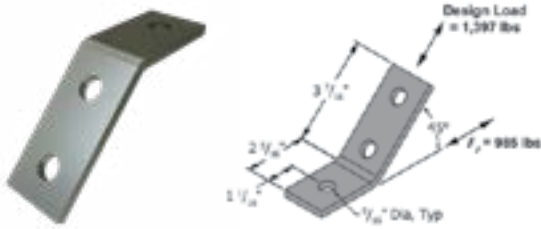
Unistrut Part Number	Power-Strut Part Number	Power-Strut Catalog Number	A (deg)	B		Finish	Product Weight per Piece (lb)
				(in)	(mm)		
P2265 EG	750961	PS 781	45°	3 1/16	94	EG	0.83
P2265 GR	—	—	45°	3 1/16	94	GR	0.83
P2265 HG	—	—	45°	3 1/16	94	HG	0.83

Angular Fittings

Click brand for more product info ↓

P3810 - 3 Hole 45° Angular Fitting

Unistrut



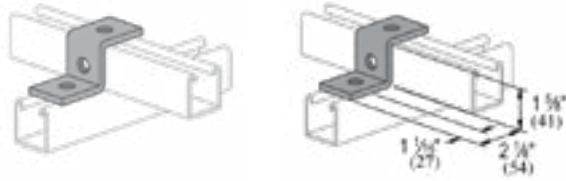
Part Number	Hole Diameter (in)	Finish	Product Weight per Piece (lb)
P3810-050 EG	3/16	EG	—

“Z” Shape Fittings

P1045 - 3 Hole, “Z” Shape Fitting

Click brand for more product info ↓

[Unistrut](#)



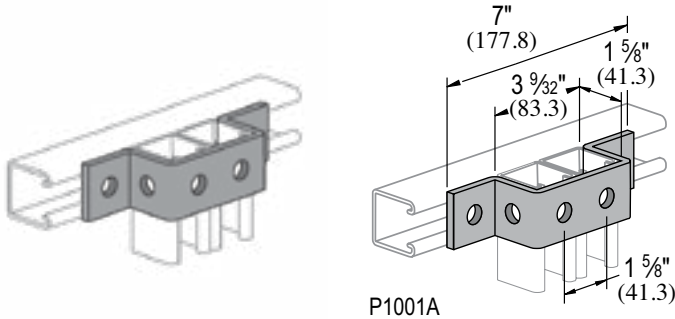
Part Number	Finish	Product Weight per Piece (lb)
P1045 EG	EG	0.150
P1045 HG	HG	0.583
P1045 ST	ST	0.550

“U” Shape Fittings

[Click brand for more product info](#) ↓

P1043A - 6 Hole "U" Shape Fitting

[Unistrut](#)

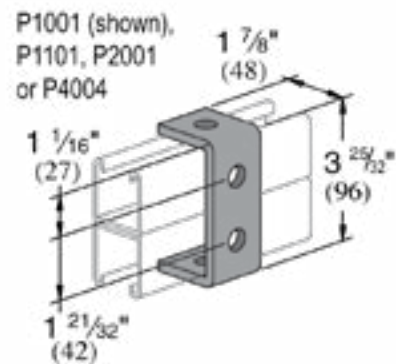
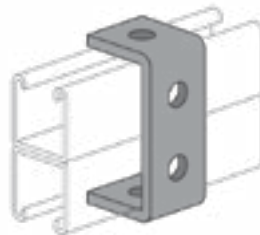


Part Number	Finish	Product Weight per Piece (lb)
P1043A EG	EG	1.05
P1043A HG	HG	1.11

P1044 - 6 Hole "U" Shape Fitting

[Click brand for more product info](#) ↓

[Unistrut](#)



Part Number	Finish	Product Weight per Piece (lb)
P1044 EG	EG	0.70

“U” Shape Fittings

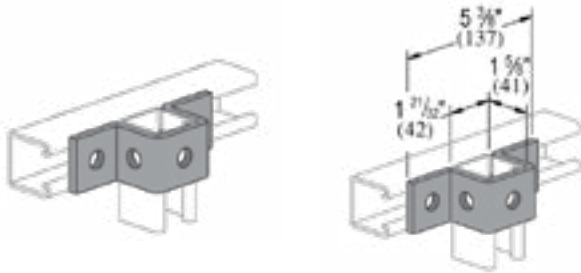
P1047 - 5 Hole, “U” Shape Fitting

PS 613 - "U" Shape Fitting

[Click brand for more product info](#) ↓

[Unistrut](#)

[Power-Strut](#)

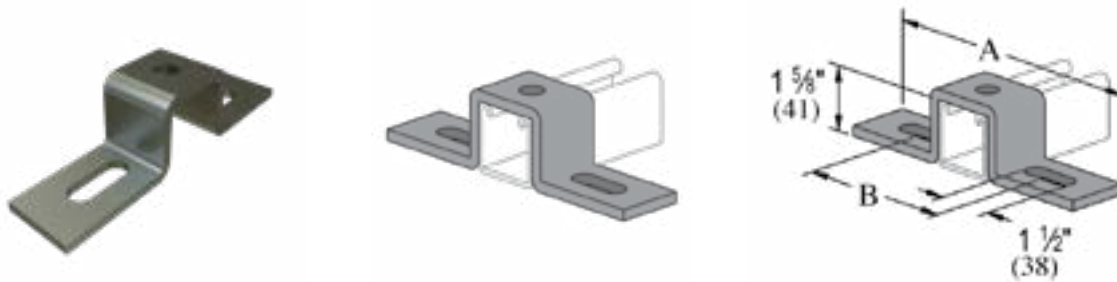


Unistrut Part Number	Power-Strut Part Number	Power-Strut Catalog Number	Finish	Product Weight per Piece (lb)
P1047 EG	720671	PS 613	EG	0.88
P1047 GR	—	—	GR	0.88
P1047 HG	—	—	HG	0.93

P1048 THRU P1050 - “U” Shape Fitting

[Click brand for more product info](#) ↓

[Unistrut](#)



Part Number	Finish	Product Weight per Piece (lb)
P1048 HG	HG	1.11
P1050 GR	GR	1.30

“U” Shape Fittings

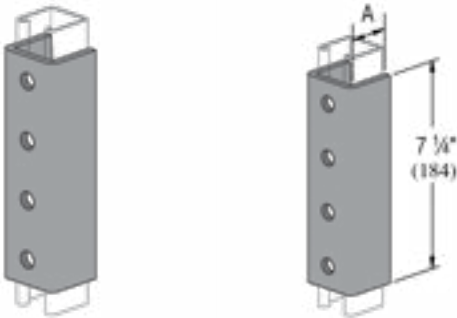
P1377, P4377, P5077 & P5577 - 4 Hole U-Shaped Splice

[Click brand for more product info](#) ↓

[Unistrut](#)

PS 616, PS 646 - 4 Hole U-Shaped Splice

[Power-Strut](#)

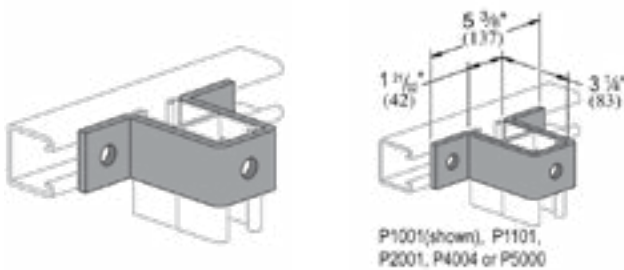


Unistrut Part Number	Power-Strut Part Number	Power-Strut Catalog Number	Use With	A (in)	Finish	Product Weight per Piece (lb)
P1377 EG	—	—	P1000, P1100, P2000	1 5/16	EG	2.65
—	720781	PS 616	PS 200, PS 210	1 5/16	EG	2.65
P1377 HG	—	—	P1000, P1100, P2000	1 5/16	HG	2.77
P4377 EG	—	—	—	1 5/16	EG	1.76
—	720771	PS 646	PS 500, PS 560	1 3/16	EG	1.76

P1737 - 3 Hole, “U” Shape Fitting

[Click brand for more product info](#) ↓

[Unistrut](#)



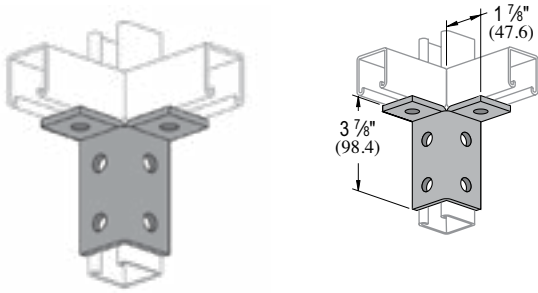
Part Number	Finish	Product Weight per Piece (lb)
P1737 EG	EG	1.28
P1737 GR	GR	1.28
P1737 HG	HG	1.35

Wing Shape Fittings

P2224 - Wing Shape Fitting

[Click brand for more product info](#) ↓

[Unistrut](#)

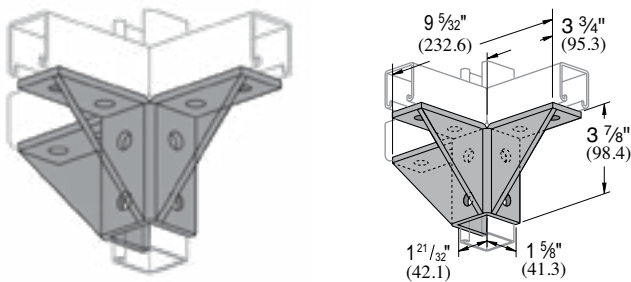


Part Number	Finish	Product Weight per Piece (lb)
P2224 EG	EG	1.15

P2230 - Wing Shape Fitting

[Click brand for more product info](#) ↓

[Unistrut](#)



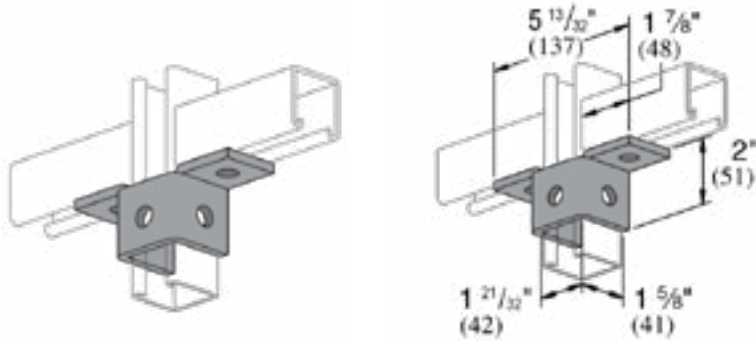
Part Number	Finish	Product Weight per Piece (lb)
P2230 EG	EG	3.10

Wing Shape Fittings

[Click brand for more product info](#) ↓

P2345 - Wing Shape Fitting

[Unistrut](#)

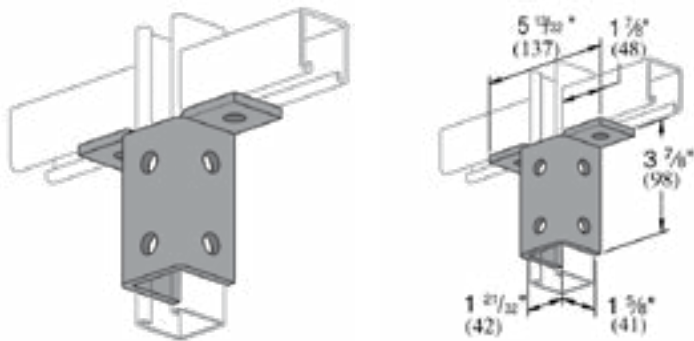


Part Number	Finish	Product Weight per Piece (lb)
P2345 EG	EG	0.93
P2345 HG	HG	0.98

[Click brand for more product info](#) ↓

P2346 - Wing Shape Fitting

[Unistrut](#)



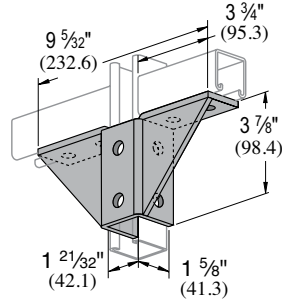
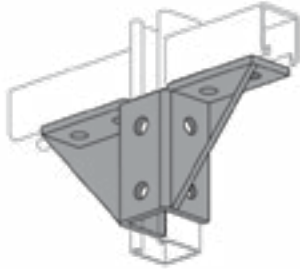
Part Number	Finish	Product Weight per Piece (lb)
P2346 EG	EG	1.50
P2346 GR	GR	1.50

Wing Shape Fittings

Click brand for more product info ↓

[Unistrut](#)

P2348 - Wing Shape Fitting



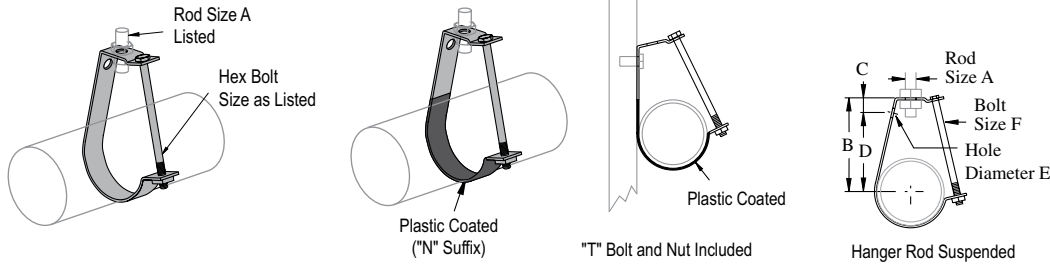
Part Number	Finish	Product Weight per Piece (lb)
P2348 EG	EG	2.74
P2348 GR	GR	2.74

Pipe & Conduit Supports

J1207 - J Conduit & Pipe Hanger

Click brand for more product info ↓

[Unistrut](#)



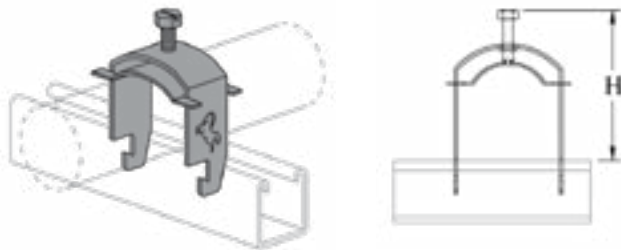
Part Number	Wt/100 pcs		Part Number	Wt/100 pcs		Pipe Size	"A"		"B"		"C"		"D"		"E"		"F"		Load		Finish
	(lb)	(kg)		(lb)	(kg)		(in)	(in)	(mm)	(in)	(mm)	(in)	(mm)	(in)	(mm)	(in)	(mm)	(lb)	(kN)		
J1207 EG	21	9.5	J1207N	22	10	3/4	3/8	9.5	2 7/8	73.0	1	25.4	2 1/4	57.2	1 3/32	10.3	1/4 x 2 1/4	6.4x57.2	400	1.78	EG

*Standard glass drainline and glass process pipe sizes. Minimum safety factor of five (5) on ultimate load.

MU025 THRU MU400 - Mustang Clamp

Click brand for more product info ↓

[Unistrut](#)



Part Number	Nom. Pipe Size		Trade Size O.D. (Min)		Trade Size O.D. (Max)		H		Finish
	(in)	(mm)	(in)	(mm)	(in)	(mm)	(in)	(mm)	
MU050	1/2	12.7	0.63	15.9	0.84	21.3	2 - 2 1/4	50.8 - 57.0	EG
MU075	3/4	19	0.88	22.2	1.05	26.7	2 1/4 - 2 1/2	57.2 - 63.5	EG

Pipe & Conduit Supports

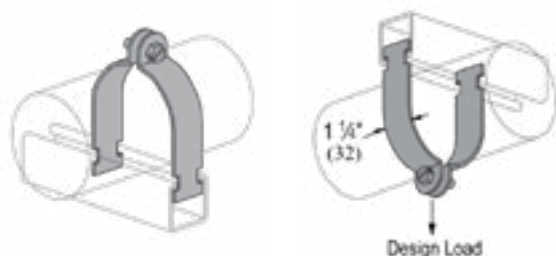
P1109 THRU P1126 - Pipe and Rigid Steel Conduit Clamp (1 5/8" Series)

[Click brand for more product info](#) ↓

[Unistrut](#)

PS 1100, PS 1116, PS 1117 - Pipe and Rigid Steel Conduit Clamp

[Power-Strut](#)



Unistrut Part Number	Power-Strut Part Number	Power-Strut Catalog Number	Conduit Size (in)	O.D. Size (in)	Ga. (Thickness)	Finish	Product Weight per Piece (lb)
P1111 AL	713200	PS 1100	1/2	0.840	16 (1.5)	AL	0.040
P1111 EG	717411	PS 1100	1/2	0.840	16 (1.5)	EG	0.110
P1111 HG	717412	PS 1100	1/2	0.840	16 (1.5)	HG	0.110
P1111 SS	723170	PS 1100	1/2	0.840	16 (1.5)	SS	0.110
P1111AS EG*	782111*	PS 1100	1/2	0.840	16 (1.5)	EG	0.110
P1112 AL	713210	PS 1100	3/4	1.050	14 (1.9)	AL	0.050
—	713520	PS 1116 3/4 AL	3/4	—	—	AL	0.150
—	714060	PS 1117 3/4 AL	3/4	—	—	AL	0.150
P1112 EG	717421	PS 1100	3/4	1.050	14 (1.9)	EG	0.150
P1112 HG	717422	PS 1100	3/4	1.050	14 (1.9)	HG	0.160
P1112 SS	723180	PS 1100	3/4	1.050	14 (1.9)	SS	0.150
P1112 ST	—	—	3/4	1.050	14 (1.9)	ST	0.150
P1112AS EG*	782121*	PS 1100	3/4	1.050	14 (1.9)	EG	0.150
P1113 AL	713220	PS 1100	1	1.315	14 (1.9)	AL	0.060
—	713530	PS 1116 1 AL	1	—	—	AL	0.170
—	714070	PS 1117 1 AL	1	—	—	AL	0.170
P1113 DF	—	—	1	1.315	14 (1.9)	DF	0.180
P1113 EG	717431	PS 1100	1	1.315	14 (1.9)	EG	0.170
P1113 HG	717432	PS 1100	1	1.315	14 (1.9)	HG	0.180
P1113 SS	723190	PS 1100	1	1.315	14 (1.9)	SS	0.170
P1113 ST	—	—	1	1.315	14 (1.9)	ST	0.170
P1113AS EG*	782131*	PS 1100	1	1.315	14 (1.9)	EG	0.170
P1114 AL	—	—	1 1/4	1.660	14 (1.9)	AL	0.070
P1114 EG	717441	PS 1100	1 1/4	1.660	14 (1.9)	EG	0.190
P1114 HG	717442	PS 1100	1 1/4	1.660	14 (1.9)	HG	0.200
P1114 SS	723200	PS 1100	1 1/4	1.660	14 (1.9)	SS	0.190
P1114AS EG*	782141*	PS 1100	1 1/4	1.660	14 (1.9)	EG	0.190
P1115 AL	726603	PS 1100	1 1/2	1.900	12 (2.7)	AL	0.090
P1115 EG	717451	PS 1100	1 1/2	1.900	12 (2.7)	EG	0.290
P1115 HG	717452	PS 1100	1 1/2	1.900	12 (2.7)	HG	0.310
P1115 SS	723210	PS 1100	1 1/2	1.900	12 (2.7)	SS	0.290
P1115AS EG*	782151*	PS 1100	1 1/2	1.900	12 (2.7)	EG	0.290

Pipe & Conduit Supports

P1109 THRU P1126 - Pipe and Rigid Steel Conduit Clamp (1 5/8" Series)

[Click brand for more product info](#) ↓

[Unistrut](#)

PS 1100, PS 1116, PS 1117 - Pipe and Rigid Steel Conduit Clamp

[Power-Strut](#)

Unistrut Part Number	Power-Strut Part Number	Power-Strut Catalog Number	Conduit Size (in)	O.D. Size (in)	Ga. (Thickness)	Finish	Product Weight per Piece (lb)
P1117 AL	713250	PS 1100	2	2.375	12 (2.7)	AL	0.120
P1117 EG	717461	PS 1100	2	2.375	12 (2.7)	EG	0.340
P1117 HG	717462	PS 1100	2	2.375	12 (2.7)	HG	0.360
P1117 SS	723220	PS 1100	2	2.375	12 (2.7)	SS	0.340
P1117 ST	—	—	2	2.375	12 (2.7)	ST	0.340
P1117AS EG*	782161*	PS 1100	2	2.375	12 (2.7)	EG	0.340
P1117AS HG*	—	—	2	2.375	12 (2.7)	HG	0.340
P1118 AL	—	—	2½	2.875	12 (2.7)	AL	0.140
P1118 EG	717471	PS 1100	2½	2.875	12 (2.7)	EG	0.400
P1118 HG	—	—	2½	2.875	12 (2.7)	HG	0.420
P1118 SS	723230	PS 1100	2½	2.875	12 (2.7)	SS	0.400
P1118AS EG*	782171*	PS 1100	2½	2.875	12 (2.7)	EG	0.410
P1119 AL	—	—	3	3.500	12 (2.7)	AL	0.160
P1119 EG	717481	PS 1100	3	3.500	12 (2.7)	EG	0.470
P1119 HG	717482	PS 1100	3	3.500	12 (2.7)	HG	0.490
P1119 SS	723240	PS 1100	3	3.500	12 (2.7)	SS	0.470
P1119AS EG*	782181*	PS 1100	3	3.500	12 (2.7)	EG	0.470
P1120 EG	717491	PS 1100	3½	4.000	11 (3.0)	EG	0.620
P1120 SS	—	—	3½	4.000	11 (3.0)	SS	0.620
P1120AS EG*	782191*	PS 1100	3½	4.000	11 (3.0)	EG	0.620
P1121 AL	—	—	4	4.500	11 (3.0)	AL	0.230
P1121 EG	717501	PS 1100	4	4.500	11 (3.0)	EG	0.670
P1121 HG	717502	PS 1100	4	4.500	11 (3.0)	HG	0.710
P1121 SS	723260	PS 1100	4	4.500	11 (3.0)	SS	0.670
P1121AS EG*	782201*	PS 1100	4	4.500	11 (3.0)	EG	0.670
P1123 EG	717511	PS 1100	5	5.563	11 (3.0)	EG	0.800
—	782211*	PS 1100	5	5.563	11 (3.0)	EG	0.800
P1124 EG	—	—	6	6.625	10 (3.4)	EG	1.020
P1124 HG	—	—	6	6.625	10 (3.4)	HG	1.080
P1124AS EG*	—	—	6	6.625	10 (3.4)	EG	1.020
P1126 EG	—	—	8	8.625	10 (3.4)	EG	1.300

* Parts are furnished assembled

NOTE: PS 1116 parts are Aluminum Clamps with Aluminum Fasteners

NOTE: PS 1117 parts are Aluminum Clamps with Stainless Steel Fasteners

Pipe & Conduit Supports

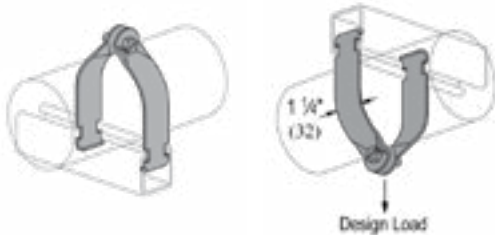
[Click brand for more product info](#) ↓

P1211 THRU P1217 - Universal Pipe Clamp (1 5/8" Series)

[Unistrut](#)

PS 1300 - Universal Pipe Clamp

[Power-Strut](#)



Unistrut Part Number	Power-Strut Part Number	Power-Strut Catalog Number	Conduit Size		Ga. (Thickness)	Finish	Product Weight per Piece (lb)
			(in)	(mm)			
P1211 EG	713331	PS 1300	1/2	13	16 (1.5)	EG	0.100
P1211AS EG*	782401*	PS 1300	1/2	13	16 (1.5)	EG	0.100
P1212 EG	713341	PS 1300	3/4	19	16 (1.5)	EG	0.100
P1212AS EG*	782411*	PS 1300	3/4	19	16 (1.5)	EG	0.100
P1213 EG	713351	PS 1300	1	25	16 (1.5)	EG	0.110
P1213AS EG*	782421*	PS 1300	1	25	16 (1.5)	EG	0.110
P1214 EG	713361	PS 1300	1 1/4	32	14 (1.9)	EG	0.180
P1214AS EG*	782431*	PS 1300	1 1/4	32	14 (1.9)	EG	0.180
P1215 EG	713371	PS 1300	1 1/2	38	14 (1.9)	EG	0.190
P1215AS EG*	782441*	PS 1300	1 1/2	38	14 (1.9)	EG	0.190
P1217 EG	713381	PS 1300	2	51	14 (1.9)	EG	0.220
P1217AS EG*	782451*	PS 1300	2	51	14 (1.9)	EG	0.220

* Parts are furnished assembled

Pipe & Conduit Supports

P1425 THRU P1431 - Conduit (EMT) Clamp (1 5/8" Series)

[Click brand for more product info](#) ↓

[Unistrut](#)

PS 1000 - Conduit (EMT) Clamp

[Power-Strut](#)



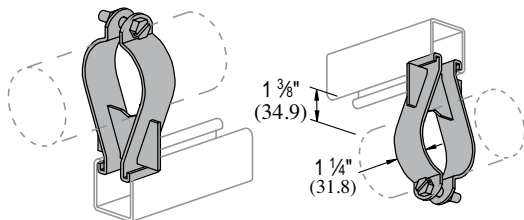
Unistrut Part Number	Power-Strut Part Number	Power-Strut Catalog Number	Conduit Size		O.D. Size		Ga. (Thickness)	Finish	Product Weight per Piece (lb)
			(in)	(mm)	(in)	(mm)			
P1426 EG	717611	PS 1000	1/2	13	0.706	17.9	16 (1.5)	EG	0.11
P1426AS EG*	782021*	PS 1000	1/2	13	0.706	17.9	16 (1.5)	EG	0.11
P1427 EG	717621	PS 1000	3/4	19	0.922	23.4	16 (1.5)	EG	0.12
P1427AS EG*	782031*	PS 1000	3/4	19	0.922	23.4	16 (1.5)	EG	0.12
P1428 EG	717631	PS 1000	1	25	1.163	29.5	14 (1.9)	EG	0.15
P1428AS EG*	782041*	PS 1000	1	25	1.163	29.5	14 (1.9)	EG	0.15
P1429 EG	717641	PS 1000	1 1/4	32	1.510	38.4	14 (1.9)	EG	0.18
P1429AS EG*	782051*	PS 1000	1 1/4	32	1.510	38.4	14 (1.9)	EG	0.18
P1430AS EG*	782061*	PS 1000	1 1/2	38	1.740	44.2	12 (2.7)	EG	0.29
P1431 EG	717661	PS 1000	2	51	2.197	55.8	12 (2.7)	EG	0.33
P1431AS EG*	782071*	PS 1000	2	51	2.197	55.8	12 (2.7)	EG	0.33

*Parts are furnished assembled

P1563 THRU P1573 - Parallel Pipe Clamp

[Click brand for more product info](#) ↓

[Unistrut](#)



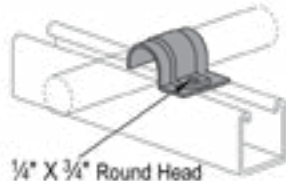
Part Number	Pipe Size		O.D. Size		Ga. (Thickness)	Finish	Product Weight per Piece (lb)
	(in)	(mm)	(in)	(mm)			
P1565 EG	3/4	19.1	1.050	26.7	14 (1.9)	EG	0.30

Pipe & Conduit Supports

P2008 THRU P2020 - One Hole O.D. Tubing Clamp

[Click brand for more product info](#) ↓

[Unistrut](#)



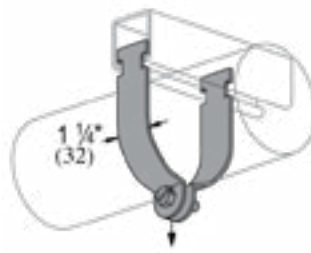
1/4" X 3/4" Round Head Machine Screw and Channel Nut Not Included

Part Number	Finish	Product Weight per Piece (lb)
P2008 EG	EG	0.04
P2010 EG	EG	0.05
P2012 EG	EG	0.06

P2024 THRU P2070 - O.D. Tubing Clamp

[Click brand for more product info](#) ↓

[Unistrut](#)



Design Load

Part Number	Finish	Product Weight per Piece (lb)
P2026 EG	EG	0.09

Pipe & Conduit Supports

[Click brand for more product info](#) ↓

P2558 Series - Single Piece Pipe Strap

[Unistrut](#)

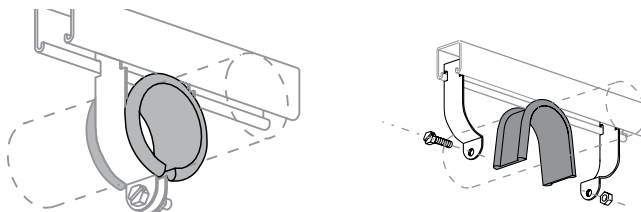


Part Number	Nom. Pipe Size (in)	"A"		"B"		"C"		Ga. (Thickness)	Finish	Product Weight per Piece (lb)
		(in)	(mm)	(in)	(mm)	(in)	(mm)			
P2558-05 EG	½	2 7/8	73	5/32	7.1	7/16	11.1	1/8 (3.2)	EG	0.23
P2558-07 EG	¾	3 1/8	79.4	5/32	7.1	7/16	11.1	1/8 (3.2)	EG	0.26
P2558-07 HG	¾	3 1/8	79.4	5/32	7.1	7/16	11.1	1/8 (3.2)	HG	0.28
P2558-07 SS	¾	3 1/8	79.4	5/32	7.1	7/16	11.1	1/8 (3.2)	SS	0.26
P2558-10 EG	1	3 3/8	85.7	5/32	7.1	7/16	11.1	1/8 (3.2)	EG	0.31
P2558-10 HG	1	3 3/8	85.7	5/32	7.1	7/16	11.1	1/8 (3.2)	HG	0.32
P2558-15 EG	1 ½	3 7/8	98.4	5/32	7.1	7/16	11.1	1/8 (3.2)	EG	0.38
P2558-15 HG	1 ½	3 7/8	98.4	5/32	7.1	7/16	11.1	1/8 (3.2)	HG	0.41
P2558-20 EG	2	5 3/4	146.1	7/16	11.1	1 1/16	17.5	1/4 (6.4)	EG	0.94
P2558-30 EG	3	6 7/8	174.6	7/16	11.1	1 1/16	17.5	1/4 (6.4)	EG	1.33

[Click brand for more product info](#) ↓

P2600 - UNICUSHION®: Isolation Material

[Unistrut](#)



- Shock absorption
- Protection from corrosion/abrasion
- Flexible elastomer material
- 25 feet per roll

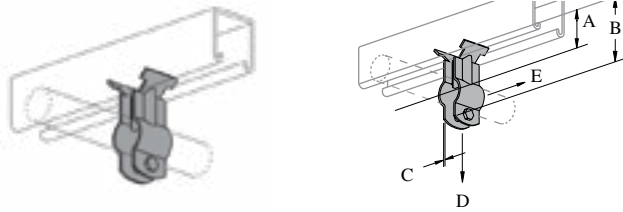
Part Number	Product Weight per Piece (lb)
P2600	2.50

Pipe & Conduit Supports

P3409 THRU P3417 - Stand-off Pipe Clamp

[Click brand for more product info](#)

[Unistrut](#)

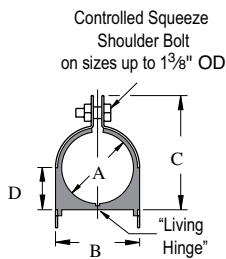
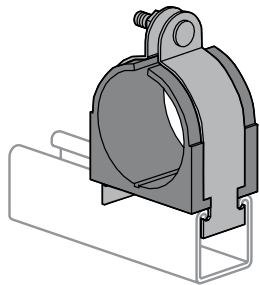


Part Number	Pipe Size		O.D. Size		Load "D"		Load "E"		A		B		Ga. (Thickness)	Finish	Product Weight per Piece (lb)
	(in)	(mm)	(in)	(mm)	(lb)	(kN)	(lb)	(kN)	(in)	(mm)	(in)	(mm)			
P3413EG	1	25	1.315	33	200	0.89	50	0.22	1½	38	2¾	70	14 (1.9)	EG	0.22
P3417EG	2	51	2.375	60	500	2.22	120	0.53	2	51	4	102	14 (1.9)	EG	0.55

CUSH-A-CLAMP® Assembly

[Click brand for more product info](#)

[Unistrut](#)



- Materials:
Clamp: Electro-galvanized or stainless steel
Cushion: Thermoplastic elastomer. (UV Resistant)
- Includes cushion, clamp and hardware
- Temperature Rating:
-50°F to +275°F (-45°C to +135°C)
- Insert Width: 1.56" (39.6)
- Part Numbers are "coded" to designate cushion size and clamp size. Examples:
 - 009N012
 - 009 – Cushion Size ⅝" (14.3)
 - N – With Standard Bolt
 - 012 – Clamp Size 1½" (19.1)

Pipe Series Assembly

Part Number	Nominal Pipe Size	Dimensions								Finish	Product Weight per Piece (lb)
		"A"		"B"		"C"		"D"			
	(in)	(in)	(mm)	(in)	(mm)	(in)	(mm)	(in)	(mm)		
038N044 SS	2	2.37	60.2	2.82	71.6	3.67	93.2	1.41	35.8	SS	0.47

Post Bases

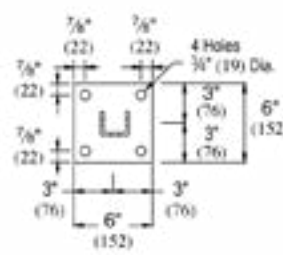
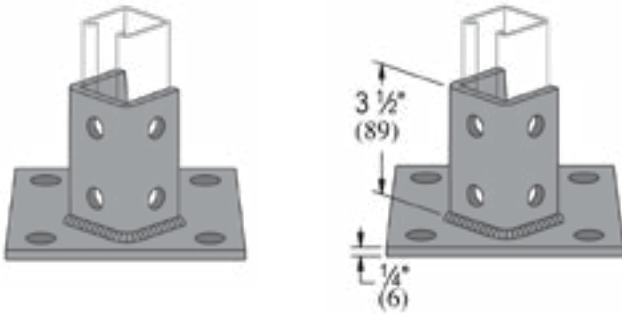
[Click brand for more product info](#) ↓

P2072A & P2072A SQ - Post Base (1 5/8" Series)

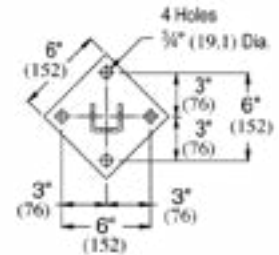
[Unistrut](#)

PS 3033 & PS 3033 SQ - Post Base

[Power-Strut](#)



P2072A SQ



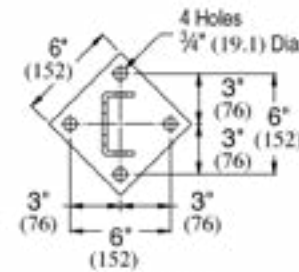
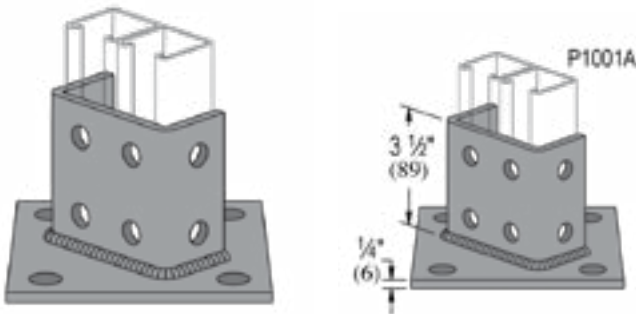
P2072A

Unistrut Part Number	Power-Strut Part Number	Power-Strut Catalog Number	Nom. Pipe Size	Finish	Product Weight per Piece (lb)
P2072A EG	—	—	STD	EG	3.73
—	752401	PS 3033 EG	STD	EG	3.73
P2072ASQ EG	752407	PS 3033 SQ EG	SQ	EG	3.73
P2072A HG	—	—	STD	HG	4.07
P2072ASQ HG	—	—	SQ	HG	3.95
P2072ASQ SS	700357	PS 3033 SQ SS	SQ	SS	3.73

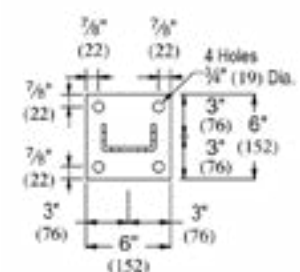
[Click brand for more product info](#) ↓

P2073A & P2073A SQ - Post Base (1 5/8" Series)

[Unistrut](#)



P2073A



P2073A SQ

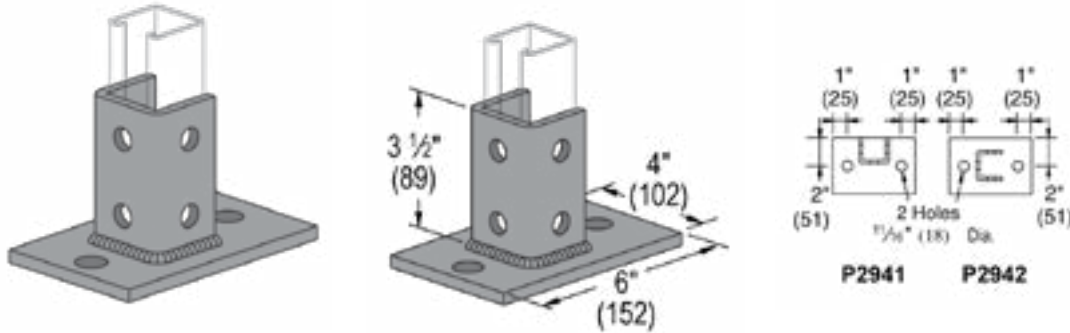
Unistrut Part Number	Power-Strut Part Number	Power-Strut Catalog Number	Nom. Pipe Size	Finish	Product Weight per Piece (lb)
P2073A EG	—	—	STD	EG	4.08
P2073ASQ EG	752387	PS 3064 SQ EG	SQ	EG	4.08
P2073ASQ HG	—	—	SQ	HG	4.47
P2073ASQ SS	—	—	SQ	SS	4.08

Post Bases

P2941 & P2942 - Post Base (1 5/8" Series)

[Click brand for more product info](#)

[Unistrut](#)

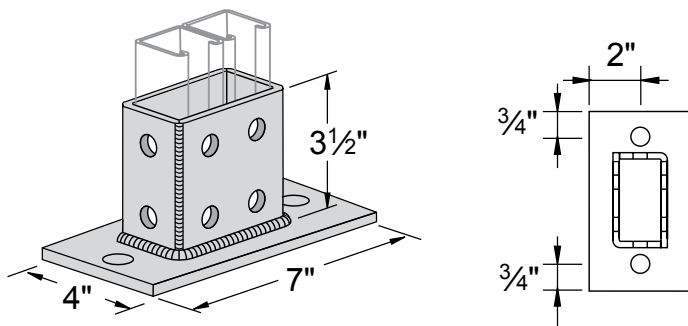


Part Number	Finish	Product Weight per Piece (lb)
P2941 EG	EG	2.78
P2942 EG	EG	2.78

PS 2064 - Double-Column Post Base

[Click brand for more product info](#)

[Power-Strut](#)



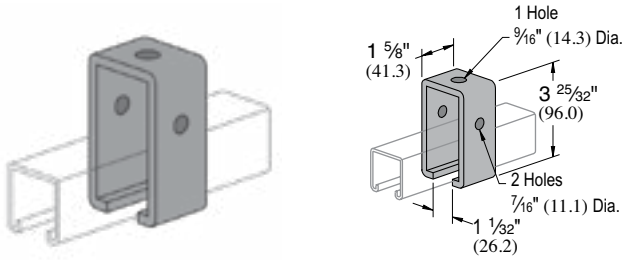
Part Number	Catalog Number	Use With	Finish	Product Weight per Piece (lb)
751931	PS 2064 EG	PS 100, PS 200 2T2, PS 200 2T3, PS 200 2T4, PS 200 2T5	EG	3.11

Trolleys

[Click brand for more product info](#) ↓

P1834 - Channel Trolley Support

[Unistrut](#)

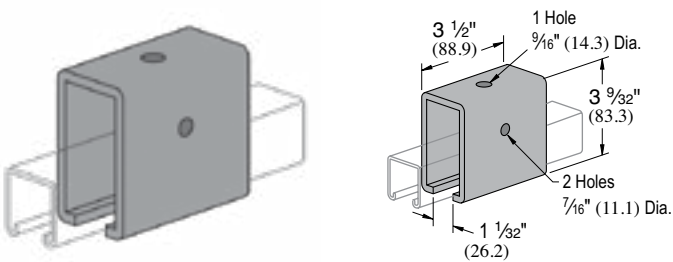


Part Number	Finish	Product Weight per Piece (lb)
P1834 EG	EG	1.02

[Click brand for more product info](#) ↓

P1834A - Trolley Track Hanger / Joiner

[Unistrut](#)



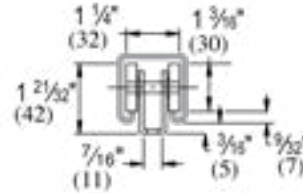
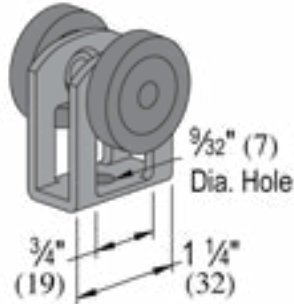
Part Number	Finish	Product Weight per Piece (lb)
P1834A EG	EG	2.20

Trolleys

[Click brand for more product info](#) ↓

P2749 - 2 Wheel Trolley

[Unistrut](#)

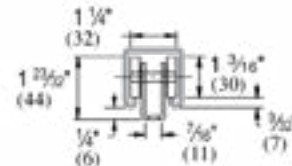
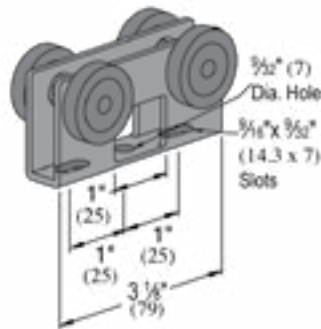
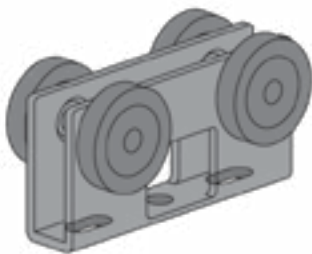


Part Number	Finish	Product Weight per Piece (lb)
P2749 EG	EG	0.21

[Click brand for more product info](#) ↓

P2750 - 4 Wheel Trolley

[Unistrut](#)



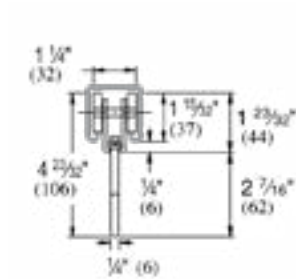
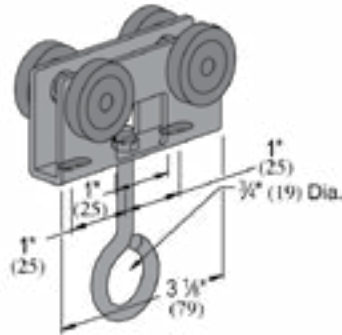
Part Number	Finish	Product Weight per Piece (lb)
P2750 EG	EG	0.55
P2750 SS	SS	0.55

Trolleys

[Click brand for more product info](#) ↓

P2751 - Loop Trolley

[Unistrut](#)

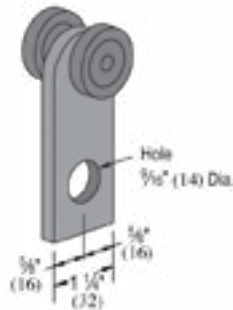


Part Number	Finish	Product Weight per Piece (lb)
P2751 EG	EG	0.63

P2949 - Trolleys

[Click brand for more product info](#) ↓

[Unistrut](#)



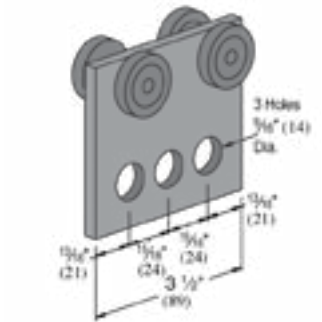
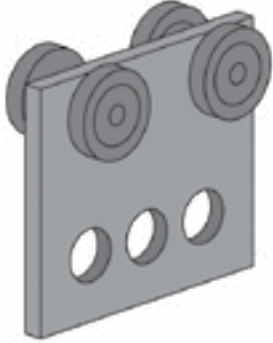
Part Number	Finish	Product Weight per Piece (lb)
P2949 EG	EG	0.46

Trolleys

P2950 - Trolleys

[Click brand for more product info](#) ↓

[Unistrut](#)



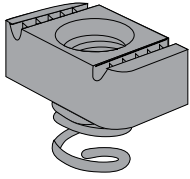
Part Number	Finish	Product Weight per Piece (lb)
P2950 EG	EG	1.10

1 1/4" Series Channel Nuts

A4006 THRU A4008 - Channel Nut w/Spring (1 1/4" Series)

[Click brand for more product info](#) ↓

[Unistrut](#)



Part Number	Use With	Thread Size	Finish	Product Weight per Piece (lb)
A4008	A3300	3/8" - 16	EG	0.05

13/16" Series Channel Nuts

Click brand for more product info ↓

P7006 - Channel Nut W/Spring

[Unistrut](#)



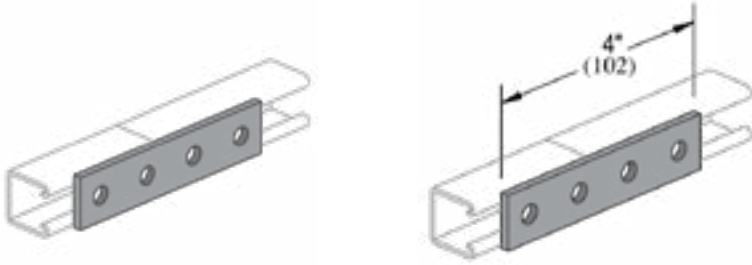
Part Number	Use With	Thread Size	Finish	Product Weight per Piece (lb)
P7006-0832 EG	13/16" channel	#8-32	EG	0.01

1³/₁₆" Series Strut Fittings

Click brand for more product info ↓

P6067 - Fittings (1³/₁₆" Series)

[Unistrut](#)

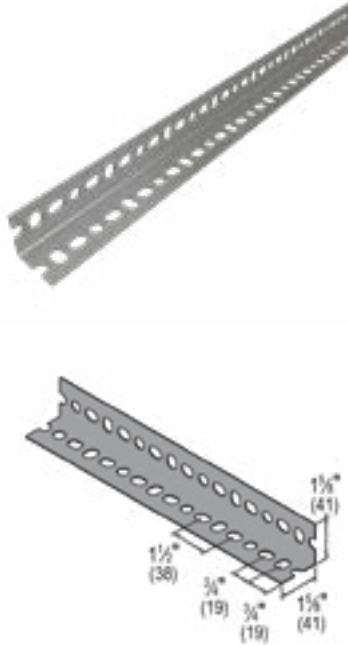


Part Number	Finish	Product Weight per Piece (lb)
P6067 EG	EG	0.11

PrimeAngle™

PA158 - 1 5/8" x 1 5/8" x 14 gauge, Light Duty

Click brand for more product info ↓
Unistrut



Material:

•Steel: Plain

- 12 Gauge (.105" 1.0 mm) ASTM 1011 SS GR 33,
- 14 Gauge (.076) ASTM 1011 SS GR 33

•Steel: Pre-Galvanized

- 12 Gauge (.105" 1.0 mm) ASTM A653 GR 33,
- 14 Gauge (.076) ASTM A653 GR 33

Finishes:

Available in two durable, long-lasting finishes:

- Pre-Galvanized (PG) or
- Perma-Green III (GR) conforming to ASTM B633 Type III SC1.

Standard Lengths:

Standard lengths are 10' and 12'. Slotted angle is shipped in ten-piece bundles complete with 75 pieces of 3/8" - 16 x 3/4" hex head bolts and 3/8" nuts.

Ordering Information:

When ordering, add the length or size and finish to the part number.

Dimensions:

Imperial dimensions are illustrated in inches. Metric dimensions are shown in parenthesis or as noted. Unless noted, all metric dimensions are in millimeters and rounded to one decimal place.

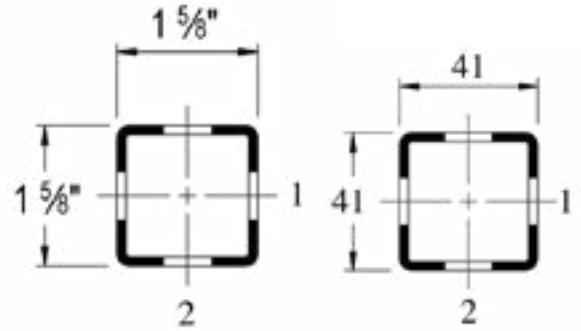
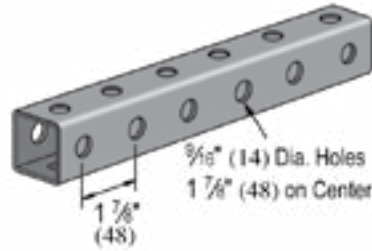
Part Number	Length (ft)	Finish	Product Weight per Foot (lb/ft)
PA158	10	PG	0.66

TeleStrut® System

P9000 - 1 5/8" x 1 5/8" Telestrut Tubing

[Click brand for more product info](#) ↓

[Unistrut](#)



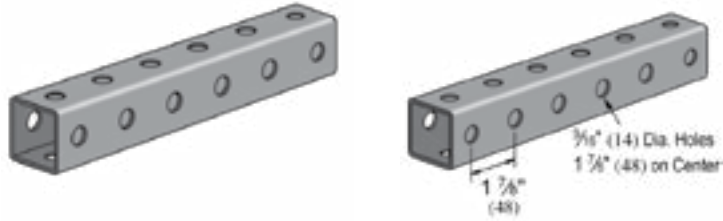
Part Number	Length (ft)	Finish	Product Weight per Foot (lb/ft)
P9000	10	PG	2.23

TeleStrut® System

Click brand for more product info ↓

P9200 - 1 7/8" x 1 7/8" Telestrut Tubing

[Unistrut](#)



Part Number	Length (ft)	Finish	Product Weight per Foot (lb/ft)
P9200	10	PG	2.23

Index

Part Number	Page #	Part Number	Page #	Part Number	Page #
1241 (IV4020)	210	13993 (PS 607)	340	59275 (MH25)	217
1251 (BV4020)	210	14203 (PS 619)	323	59276 (MH30)	217
1301 (IV5020)	210	33715 (JBA05)	213	59278 (MH40)	217
1521 (IV2020)	210	33716 (JBA07)	213	59280 (PS05)	218
1531 (BV2020)	210	33717 (JBA10)	213	59281 (PS07)	218
1541 (IV2030)	210	33718 (JBA12)	213	59282 (PS10)	218
1551 (BV2030)	210	33719 (JBA15)	213	59283 (PS12)	218
1591 (BV3020)	210	33720 (JBA20)	213	59284 (PS15)	218
1601 (IV3030)	210	33721 (JBA25)	213	59285 (PS20)	218
1611 (BV3030)	210	33722 (JBA30)	213	59562 (F4007530P)	147
1621 (IV6030)	210	33723 (JBA35)	213	59566 (F4020030P)	147
1631 (BV6030)	210	33724 (JBA40)	213	59568 (F4030030P)	147
1891 (IV4030)	210	59005 (F8020045P)	149	59570 (F4040030P)	147
1901 (BV4030)	210	59007 (F8030045P)	149	59571 (F4050030P)	147
1911 (IV5030)	210	59009 (F8040045P)	149	59572 (F4060030P)	147
1921 (BV5030)	210	59012 (F8005090P)	149	59575 (F4005045P)	146
8102 (4005010)	117	59013 (F8007590P)	149	59576 (F4007545P)	146
8103 (4007510)	117	59014 (F8010090P)	149	59577 (F4010045P)	146
8104 (4010010)	117	59015 (F8012590P)	149	59578 (F4012545P)	146
8105 (4012510)	117	59016 (F8015090P)	149	59579 (F4015045P)	146
8106 (4015010)	117	59017 (F8020090P)	149	59580 (F4020045P)	146
8108 (4020010)	117	59018 (F8025090P)	149	59581 (F4025045P)	146
8110 (4025010)	117	59019 (F8030090P)	149	59582 (F4030045P)	146
8112 (4030010)	117	59021 (F8040090P)	149	59583 (F4035045P)	146
8114 (4035010)	117	59125 (EC20)	212	59584 (F4040045P)	146
8116 (4040010)	117	59126 (EC25)	212	59585 (F4050045P)	146
8120 (4050010)	117	59127 (EC30)	212	59586 (F4060045P)	146
8124 (4060010)	117	59128 (EC40)	212	59588 (F4005090P)	146
8503 (4007520)	117	59129 (EC50)	212	59589 (F4007590P)	146
8504 (4010020)	117	59130 (EC60)	212	59590 (F4010090P)	146
8505 (4012520)	117	59131 (EC35)	212	59591 (F4012590P)	146
8506 (4015020)	117	59193 (MO12)	215	59592 (F4015090P)	146
8508 (4020020)	117	59194 (MO20)	215	59593 (F4020090P)	146
8510 (4025020)	117	59200 (LB05)	204	59594 (F4025090P)	146
8512 (4030020)	117	59201 (LB07)	204	59595 (F4030090P)	146
8516 (4040020)	117	59202 (LB10)	204	59596 (F4035090P)	146
8520 (4050020)	117	59203 (LB12)	204	59597 (F4040090P)	146
8524 (4060020)	117	59204 (LB15)	204	59598 (F4050090P)	146
9302 (8005010)	119	59205 (LB20)	204	59599 (F4060090P)	146
9303 (8007510)	119	59206 (LB25)	204	59601 (CP05)	207
9304 (8010010)	119	59207 (LB30)	204	59602 (CP07)	207
9305 (8012510)	119	59208 (LB35)	204	59603 (CP10)	207
9306 (8015010)	119	59209 (LB40)	204	59604 (CP12)	207
9308 (8020010)	119	59214 (LL15)	204	59605 (CP15)	207
9310 (8025010)	119	59215 (LL20)	204	59606 (CP20)	207
9312 (8030010)	119	59224 (LR15)	204	59607 (CP25)	207
9316 (8040010)	119	59225 (LR20)	204	59608 (CP30)	207
9320 (8050010)	119	59229 (LR40)	204	59609 (CP35)	207
9324 (8060010)	119	59230 (T05)	204	59610 (CP40)	207
9508 (8020020)	119	59231 (T07)	204	59611 (CP50)	207
9512 (8030020)	119	59232 (T10)	204	59612 (CP60)	207
9516 (8040020)	119	59235 (T20)	204	59615 (TA05)	205
9524 (8060020)	119	59274 (MH20)	217	59616 (TA07)	205

Index

Part Number	Page #	Part Number	Page #	Part Number	Page #
59617 (TA10).....	205	59730 (F402009036P).....	148	191102	89
59618 (TA12).....	205	59731 (F402509036P).....	148	191103	89
59619 (TA15).....	205	59732 (F403009036P).....	148	191104	89
59620 (TA20).....	205	59734 (F404009036P).....	148	191113	89
59621 (TA25).....	205	59735 (F405009036P).....	148	191114	89
59622 (TA30).....	205	59736 (F406009036P).....	148	191123	89
59623 (TA35).....	205	59741 (F402009048P).....	148	191124	89
59624 (TA40).....	205	59745 (F404009048P).....	148	191132	89
59625 (TA50).....	205	59746 (F405009048P).....	148	191133	89
59626 (TA60).....	205	59747 (F406009048P).....	148	191134	89
59627 (TA80).....	205	59759 (F402004524P).....	148	191143	89
59630 (FA05).....	205	59778 (F402004536P).....	148	191144	89
59631 (FA07).....	205	59782 (F404004536P).....	148	191153	89
59632 (FA10).....	205	59784 (F406004536P).....	148	191154	89
59633 (FA12).....	205	59882 (F404002236P).....	148	191163	89
59634 (FA15).....	205	59884 (F406002236P).....	148	191164	89
59635 (FA20).....	205	59897 (MR0705).....	216	192827	87
59636 (FA25).....	205	59899 (MR1007).....	216	192828	87
59637 (FA30).....	205	59901 (MR1210).....	216	192829	87
59638 (FA35).....	205	59903 (MR1512).....	216	192830	87
59639 (FA40).....	205	59905 (MR2015).....	216	192831	87
59640 (FA50).....	205	59906 (MR2520).....	216	192832	87
59641 (FA60).....	205	59908 (MR4030).....	216	192833	87
59642 (FA80).....	205	59909 (MR3025).....	216	193196 (PS TG).....	301
59645 (EC05).....	212	101576	86	193325 (PS TG).....	301
59646 (EC07).....	212	101584	86	193326 (PS TG).....	301
59647 (EC10).....	212	101592	86	193395 (PS TG).....	301
59648 (EC12).....	212	101600	86	194717 (REXT4020022).....	217
59649 (EC15).....	212	101618	86	194719 (REXT4025022).....	217
59651 (UTP20).....	215	101782	86	194724 (RTHR40200).....	216
59653 (UTP30).....	215	101790	86	194725 (RTHR40250).....	216
59655 (UTP40).....	215	119284	158	194726 (RTHR40300).....	216
59657 (UTP60).....	215	119285	158	267401 (PS 146).....	322
59674 (MEB07).....	211	119287	158	267421 (PS 146).....	322
59675 (MEB10).....	211	119293	158	267431 (PS 146).....	322
59676 (MEB12).....	211	119302	158	278879	97
59677 (MEB15).....	211	119305	158	278887	97
59678 (MEB20).....	211	119311	158	278895	97
59679 (MEB25).....	211	119320	158	278903	97
59680 (MEB30).....	211	119329	158	278911	97
59681 (MEB35).....	211	119338	158	278929	97
59682 (MEB40).....	211	119345	158	278937	97
59683 (MEB50).....	211	119358	158	278945	97
59684 (MEB60).....	211	126516 (4030010COR).....	118	278952	97
59685 (MEB80).....	211	126520 (4040010COR).....	118	278960	97
59710 (F401509024P).....	148	126521 (4040020COR).....	118	278978	97
59711 (F402009024P).....	148	126522 (4050010COR).....	118	278986	97
59712 (F402509024P).....	148	126524 (4060010COR).....	118	358051	100
59713 (F403009024P).....	148	126525 (4060020COR).....	118	358069	100
59715 (F404009024P).....	148	191093	89	358101	100
59727 (F401009036P).....	148	191094	89	358119	100
59729 (F401509036P).....	148	191097	89	358143	100

Index

Part Number	Page #	Part Number	Page #	Part Number	Page #
358150	100	713351 (PS 1300)	359	720901 (PS 619)	323
358168	100	713361 (PS 1300)	359	721324 (PS 707)	319
358176	100	713371 (PS 1300)	359	723170 (PS 1100)	357
358184	100	713381 (PS 1300)	359	723180 (PS 1100)	357
358192	100	713520 (PS 1116)	357	723190 (PS 1100)	357
529453 (PS 200 2T3 EH)	282	713530 (PS 1116)	357	723200 (PS 1100)	357
557215 (PS 200 2T3 EH)	282	713845 (PS TG)	301	723210 (PS 1100)	357
597123 (F802509024P)	150	713846 (PS TG)	301	723220 (PS 1100)	358
597152 (F803009024P)	150	714060 (PS 1117)	357	723230 (PS 1100)	358
597153 (F804009024P)	150	714070 (PS 1117)	357	723240 (PS 1100)	358
597391 (F802509036P)	150	715501 (PS 2651 T1)	309	723260 (PS 1100)	358
597392 (F803009036P)	150	715511 (PS 2651 T2)	309	725860 (PS RS)	300
597393 (F804009036P)	150	716261 (PS RS)	300	726603 (PS 1100)	357
597394 (F802009036P)	150	716271 (PS RS)	300	728661 (PS SS)	304
597491 (F806009048P)	150	716281 (PS RS)	300	731061 (PS 793)	344
597492 (F804009048P)	150	716291 (PS RS)	300	732035	84
600144 (PS 210 EH)	290	717411 (PS 1100)	357	732036	84
600202 (PS 200)	280	717412 (PS 1100)	357	732302	84
600204 (PS 200)	280	717421 (PS 1100)	357	732303	84
600304 (PS 200 EH)	280	717422 (PS 1100)	357	732304	84
600364 (PS 200 2T3)	282	717431 (PS 1100)	357	732305	84
600634 (PS 500 EH)	292	717432 (PS 1100)	357	732306	84
610104 (PS 210)	290	717441 (PS 1100)	357	732307	84
610144 (PS 210 EH)	290	717442 (PS 1100)	357	732308	84
610171 (PS 210 EH)	290	717451 (PS 1100)	357	732309	84
610204 (PS 200)	280	717452 (PS 1100)	357	732310	84
610280 (PS 200 EH)	280	717461 (PS 1100)	358	732311	84
610294 (PS 200 S)	280	717462 (PS 1100)	358	732323	157
610302 (PS 200 EH)	280	717471 (PS 1100)	358	732324	157
610304 (PS 200 EH)	280	717481 (PS 1100)	358	732325	157
610310 (PS 200)	280	717482 (PS 1100)	358	732326	157
610364 (PS 200 2T3)	282	717491 (PS 1100)	358	732327	157
610604 (PS 500)	292	717501 (PS 1100)	358	732328	157
610632 (PS 500 EH)	292	717502 (PS 1100)	358	732329	157
610634 (PS 500 EH)	292	717511 (PS 1100)	358	732330	157
610636 (PS 500 EH)	292	717611 (PS 1000)	360	732331	157
610640 (PS 500)	292	717621 (PS 1000)	360	732332	157
610670 (PS 500 EH)	292	717631 (PS 1000)	360	732333	157
611944 (PS 100 EH)	286	717641 (PS 1000)	360	732334	157
615501 (PS 700J)	296	717661 (PS 1000)	360	732340	126
696971 (PS 700J)	296	719361 (PS 888)	332	732341	126
697305 (PS 719)	334	719371 (PS 604)	338	732342	126
698101 (PS 707P)	319	719431 (PS 607)	340	732343	126
700357 (PS 3033)	364	719432 (PS 607)	340	732344	126
710839 (PS 6153 2)	320	719521 (PS 651)	314	732345	126
710840 (PS 6153 5)	320	720321 (PS 603)	337	732346	126
713200 (PS 1100)	357	720671 (PS 613)	351	732347	126
713210 (PS 1100)	357	720771 (PS 646)	352	732348	126
713220 (PS 1100)	357	720781 (PS 616)	352	732349	126
713250 (PS 1100)	358	720881 (PS 619)	323	732350	126
713331 (PS 1300)	359	720891 (PS 619)	323	732352	126
713341 (PS 1300)	359	720892 (PS 619)	323	750381 (PS 714)	330

Index

Part Number	Page #	Part Number	Page #	Part Number	Page #
750541 (PS 718).....	331	802768 (F4010045).....	146	876604	186
750871 (PS 660).....	340	802769 (F4012545).....	146	876606	186
750961 (PS 781).....	347	802770 (F4015045).....	146	876610	186
751051 (PS 624).....	344	802771 (F4020045).....	146	876612	186
751631 (PS 633).....	346	802772 (F4025045).....	146	876616	186
751931 (PS 2064).....	365	802773 (F4030045).....	146	876617	186
752383 (PS 200 2T3 EH).....	282	802775 (F4040045).....	146	876619	186
752387 (PS 3064).....	364	802777 (F4060045).....	146	876620	186
752401 (PS 3033).....	364	802781 (F4012530).....	147	876621	186
752407 (PS 3033 SQ).....	364	802783 (F4020030).....	147	876622	186
782021 (PS 1000).....	360	802785 (F4030030).....	147	876623	186
782031 (PS 1000).....	360	802787 (F4040030).....	147	876625	186
782041 (PS 1000).....	360	802789 (F4060030).....	147	876627	186
782051 (PS 1000).....	360	802839 (PS25).....	218	876629	186
782061 (PS 1000).....	360	802840 (PS30).....	218	876633	186
782071 (PS 1000).....	360	802842 (PS40).....	218	876634	187
782111 (PS 1100).....	357	805916 (F802009024P).....	150	876635	187
782121 (PS 1100).....	357	809249 (F806009036P).....	150	876637	187
782131 (PS 1100).....	357	810100 (PS 200).....	280	876639	187
782141 (PS 1100).....	357	810140 (PS 200 2T3).....	282	876643	187
782151 (PS 1100).....	357	810150 (PS 200 EH).....	280	876645	187
782161 (PS 1100).....	358	810200 (PS 500).....	292	876647	187
782171 (PS 1100).....	358	810220 (PS 500 EH).....	292	876649	187
782181 (PS 1100).....	358	813682 (F4060022P).....	147	876650	187
782191 (PS 1100).....	358	815038 (F4040022P).....	147	876651	187
782201 (PS 1100).....	358	815660 (PS 6153 5).....	320	876653	187
782211 (PS 1100).....	358	817088 (F404009048).....	148	876655	187
782401 (PS 1300).....	359	822335 (F4050022P).....	147	876659	187
782411 (PS 1300).....	359	827790 (F4020022P).....	147	876665	187
782421 (PS 1300).....	359	828633 (F404009060P).....	148	876666	187
782431 (PS 1300).....	359	862293 (F404009036).....	148	876667	187
782441 (PS 1300).....	359	862294 (F402009036).....	148	876669	187
782451 (PS 1300).....	359	862295 (F402009024).....	148	876671	187
789651 (EJ20).....	208	864957 (F404009024).....	148	876675	187
789652 (EJ25).....	208	865575 (F403009024).....	148	876680	187
789653 (EJ30).....	208	865576 (F403009036).....	148	876681	187
789655 (EJ40).....	208	866005 (ATHR-T).....	322	876682	187
789657 (EJ60).....	208	866007 (ATHR-T).....	322	876683	187
798983 (F4030022P).....	147	866009 (ATHR-T).....	322	876684	187
802743 (MR3020).....	216	866276 (F405009060P).....	148	876686	187
802752 (F4005090).....	146	866990 (F404004536).....	148	876688	187
802753 (F4007590).....	146	866991 (F402004536).....	148	876690	187
802754 (F4010090).....	146	869624	127	876692	187
802755 (F4012590).....	146	873476 (F404002236).....	148	876694	187
802756 (F4015090).....	146	873477 (F402509036).....	148	876696	187
802757 (F4020090).....	146	873626 (F405009036).....	148	876697	188
802758 (F4025090).....	146	873695 (F406009048).....	148	876698	188
802759 (F4030090).....	146	875754 (F406009036).....	148	876700	188
802762 (F4040090).....	146	876600	186	876704	188
802764 (F4060090).....	146	876601	186	876706	188
802765 (F4005045).....	146	876602	186	876710	188
802767 (F4007545).....	146	876603	186	876711	188

Index

Part Number	Page #	Part Number	Page #	Part Number	Page #
876714	188	877009	129	898304	86
876718	188	877010	129	903977 (OS403001040)	215
876720	188	877011	129	904144	185
876722	188	877012	129	904145	185
876724	188	877013	129	904146	185
876725	188	877014	129	904147	185
876726	188	877015	129	904148	185
876730	188	877016	129	904149	185
876732	188	877017	129	904150	185
876736	188	877020	130	904151	185
876737	188	877021	130	904152	185
876738	188	877022	130	904153	185
876742	188	877023	130	904154	185
876744	188	877024	130	904155	185
876746	188	877025	130	922269 (F402009024LB*)	148
876748	188	877026	130	922270 (F402009036LB*)	148
876769	140	877027	130	924024 (8035010)	119
876770	135	877031	131	924072 (40REC2012)	209
876771	135	877032	131	924073 (40REC2512)	209
876772	135	877033	131	924074 (40REC3012)	209
876773	135	877034	131	924076 (40REC4012)	209
876774	135	877035	131	924077 (40REC5012)	209
876775	135	877036	131	924078 (40REC6012)	209
876776	135	877037	131	924132 (F408003048P)	148
876777	135	877041	132	924299 (8025020)	119
876778	135	877042	132	924360 (40REC40)	209
876779	135	877043	132	924576 (CP80)	207
876780	140	877044	132	924585 (EC80)	212
876783	141	877045	132	924701 (F4010022)	147
876784	141	877047	132	924746 (F4020022)	147
876786	141	877053	133	924790 (F4030022)	147
876787	141	877055	133	924814 (F404001136)	148
876788	141	877055	134	924818 (F4040011P)	147
876790	141	877075	134	924826 (F4040022)	147
876791	141	877077	134	924889 (F4060022)	147
876792	141	877092	134	924905 (F406009060P)	148
876814	142	878924 (F402504524)	148	924910 (F408009048)	148
876816	142	878925 (F403004524)	148	924949 (F8010090)	149
876856	143	878943 (F402009048)	148	924954 (F8012590)	149
876858	143	880747 (4080010)	117	924990 (F8030045)	149
876864	143	884262 (F4060011P)	147	924993 (F8030090)	149
876866	143	893453 (PS RS)	300	925010 (F804009048)	150
876871	143	894493 (F408009048P)	148	925017 (F8050090)	149
876873	143	894494 (F408004548P)	148	925082 (JB12124)	214
876877	143	895091 (CEMCR10)	206	925083 (JB12126)	214
876883	143	895092 (CEMC20)	206	925084 (JB12128)	214
876885	143	895124 (40SWC20)	209	925085 (JB442)	214
876887	143	895125 (40SWC25)	209	925086 (JB444)	214
876890	143	895126 (40SWC30)	209	925087 (JB446)	214
876892	143	895127 (40SWC40)	209	925088 (JB552)	214
876894	143	895129 (40SWC60)	209	925089 (JB664)	214
876896	143	898302	86	925090 (JB666)	214
877008	129	898303	86		

Index

Part Number	Page #	Part Number	Page #	Part Number	Page #
925091 (JB884).....	214	2106S42-01	20	2307-42-00	32
925092 (JB887).....	214	2106S60-00	20	2307-60-00	32
925111 (LLC20).....	208	2106S60-01	20	2308-60-00	32
925112 (LLC25).....	208	2107-42-00	21	250MCM-6ALKON	200
925113 (LLC30).....	208	2107-42-01	22	2804G42-00	9
925114 (LLC40).....	208	2107-60-00	21	2804G42-04	9
925116 (LLC60).....	208	2107-60-01	22	2804G42-05	9
925118 (PRMP20).....	206	2107-60-02	22	2804G60-00	9
925132 (UTP25).....	215	2107-60-03	22	2805G42-00	9
925354 (CEMC10).....	206	2107-60-04	21	2911-42-00	33
925358 (CEMG20).....	206	2107-60-05	21	2911-60-00	33
925516 (F4020011).....	147	2108-42-00	21	2918-42-00	33
925610 (F8007590).....	149	2108-42-01	22	2918-60-00	33
926013 (F803009036).....	150	2108-60-00	21	3104Z42-00	42
926051 (CEMCR20).....	206	2108-60-01	22	3104Z42-01	42
926055 (CWC20).....	206	2109-42-00	21	3104Z42-04	42
038N044 SS	363	2109-42-01	22	3104Z60-00	42
10-2030R24-PVC	138	2109-60-00	21	3105Z42-00	42
10-2030R36-PVC	138	2109-60-01	22	3106Z42-00	42
10-4030R24-PVC	138	2115-40-00	23	3604-42-700	30
10-4030R36-PVC	138	2115-45-00	23	3604-60-700	30
10-5030R36-PVC	138	2115-60-00	23	3605-42-700	30
10-6030R48-PVC	138	2115-65-00	23	3605-60-700	30
10-6030R60-PVC	138	2116-40-00	23	3605-60-701	30
121516 EG	320	2116-45-00	23	3606-60-714	30
160-012	114	2116-45-01	23	3607-60-700	30
160-016	114	2116-60-00	23	3608-60-700	30
160-021	114	2116-60-01	23	3608-60-701	30
160-026	114	2116-65-00	23	3609-60-714	30
160-035	114	2117-45-00	23	3658-60-700	30
160-051	114	2117-45-01	23	3662-60-700	30
1706B60T01	40	2117-60-00	24	3904-42-00	28
1707B60T00	39	2119-32-00	24	3904-60-00	28
1707B60T04	39	2119-45-00	24	3904-60-01	28
1707B60T05	39	2119-60-00	24	3905-42-00	28
1828R60-00	13	2119-65-00	24	3905-60-00	28
1881R60-00	13	2120-32-00	24	3905-60-01	28
18BG-42-L00	50	2120-45-00	24	3906-60-00	28
18BG-42-L01	50	2120-60-00	24	3907-60-00	28
18BG-60-L00	50	2120-65-00	24	3908-42-00	28
18BG-60-L01	50	2121-30-00	24	3908-60-00	28
18BH-60-L00	50	2121-60-00	24	3908-60-01	28
18BMB42TL00	56	2124-45-00	24	3909-60-00	28
20P-2000-SST	79	2124-60-00	24	5203-30-00	91
20P-2100-SST	79	2128-45-00	24	5204-30-00	91
20P-2200-SST	80	2160S42-00	20	5501-30-00	94
2101S42-00	20	2304-42-00	32	5501-42-00	94
2101S60-00	20	2304-60-00	32	5501-60-00	94
2102S42-00	20	2304-60-01	32	5502-30-00	94
2102S60-00	20	2305-42-00	32	5502-45-00	94
2105S42-80 (A005-42-80).....	25	2305-60-00	32	5502-60-00	94
2106S42-00	20	2306-42-00	32	5503-30-00	94

Index

Part Number	Page #	Part Number	Page #	Part Number	Page #
5503-45-00	94	6004-45-00	112	6220-56-00	107
5503-60-00	94	6005-24-00	112	6402-45-00	103
5504-24-00	94	6005-30-00	112	6403-60-00	103
5504-80-00	94	6005-42-00	112	6502-30-00	113
5505-24-00	94	6006-24-00	112	6503-30-00	113
5505-40-00	94	6006-35-00	112	6504-30-00	113
5506-22-00	94	6007-24-00	112	6505-24-00	113
5506-80-00	94	6007-30-00	112	6702-30-00	109
5507-22-00	94	6101-30-00	105	6704-30-00	109
5507-35-00	95	6102-30-00	105	6705-24-00	109
5508-22-00	95	6102-45-00	105	6802-30-00	102
5509-22-00	95	6102-60-00	105	6803-30-00	102
5509-30-00	95	6103-30-00	105	A004-42-00	19
5510-22-00	95	6103-45-00	105	A004-42-01	19
5510-30-00	95	6103-60-00	105	A004-42-02	19
5511-22-00	95	6104-30-00	105	A004-42-03	19
5511-30-00	95	6104-41-00	105	A004-42-04	19
5601-30-00	92	6105-24-00	105	A004-42-05	19
5602-30-00	92	6105-40-00	105	A004-42-07	19
5602-45-00	92	6106-24-00	105	A004-60-00	19
5602-60-00	92	6106-35-00	105	A004-60-01	19
5603-24-00	92	6107-24-00	105	A004-60-02	19
5603-30-00	92	6107-30-00	105	A004-60-03	19
5603-45-00	92	6108-22-00	105	A004-60-04	19
5603-60-00	92	6109-22-00	105	A004-60-05	19
5604-24-00	92	6109-30-00	105	A005-42-00	19
5604-80-00	92	6110-22-00	105	A005-42-01	19
5605-24-00	92	6120-22-00	105	A005-42-02	19
5605-40-00	92	6202-30-00	107	A005-42-03	19
5606-22-00	92	6202-45-00	107	A005-42-04	19
5606-35-00	92	6202-60-00	107	A005-42-05	19
5607-22-00	92	6203-30-00	107	A005-60-00	19
5607-30-00	92	6203-45-00	107	A005-60-01	19
5607-35-00	92	6203-60-00	107	A058-42-00	19
5608-22-00	92	6204-30-00	107	A058-60-00	19
5609-22-00	93	6204-41-00	107	A059-42-00	19
5609-30-00	93	6205-24-00	107	A4000 16EA	295
5610-22-00	93	6205-40-00	107	A4008 EG	370
5611-22-00	93	6206-24-00	107	AC2CGKON	177
5804-42-00	44	6206-35-00	107	AL04-42-L00	47
5804-60-00	44	6206-47-00	107	AL04-42-L01	47
5805-42-00	44	6207-24-00	107	AL04-42-L02	47
5858-60-00	44	6207-30-00	107	AL04-42-L03	47
6001-30-00	112	6207-80-00	107	AL04-42-L04	47
6002-30-00	112	6208-22-00	107	AL04-42-L05	47
6002-45-00	112	6208-79-00	107	AL04-60-L00	47
6002-60-00	112	6209-22-00	107	AL04-60-L01	47
6003-30-00	112	6209-30-00	107	AL04-60-L02	47
6003-45-00	112	6209-56-00	107	AL04-60-L03	47
6003-46-00	112	6210-22-00	107	AL11KON	262
6003-60-00	112	6210-30-00	107	ALB1CGKON	178
6004-30-00	112	6220-22-00	107	ALB2CGKON	178

Index

Part Number	Page #	Part Number	Page #	Part Number	Page #
ALB3CGKON	178	CKR-250KON	165	HHCS025075EG	324
ALB5CGKON	178	CKR-300KON	165	HHCS025100EG	324
ALB6CGKON	178	CKR-350KON	165	HHCS025150EG	324
ALB7CGKON	178	CKR-75KON	165	HHCS037100EG	324
ALB9KON	178	CM4KON	182	HHCS037125EG	324
AT1CGKON	179	DB150-ICKON	172	HHCS037125SS	324
AT2CGKON	179	DB200-ICKON	172	HHCS037150EG	324
AT3CGKON	179	DB38-ICKON	172	HHCS037150SS	324
BOTTOM-CLIP	70	DB50-ICKON	172	HHCS050094EG	324
BRC-100-1AKON	254	DB75-ICKON	172	HHCS050119EG	324
BRC-150-1AKON	254	DBC75KON	171	HHCS050125EG	324
BRC-600S-3AKON	255	EG-CBN	70	HHCS050150EG	324
BRC-600SKON	256	EGL-2X8-DRC	72	HHCS050175EG	324
BRC-75-1AKON	254	EGL-CPA-12	74	HHCS050200EG	324
C2KON	183	EGL-CVR-06	73	HHXN037 EG	325
CC100-ICRKON	162	EGL-CVR-08	73	HHXN050 EG	325
CC100RKON	162	EGL-CVR-12	73	HHXN062 EG	325
CC125-ICRKON	162	EGL-EMT-CLIP	71	HLKW031 EG	325
CC125RKON	162	EGL-GC	70	HLKW037 EG	325
CC150-ICRKON	162	EGL-HWSB-12	74	HLKW050 EG	325
CC150RKON	162	EGL-HWSB-18	74	HOCW037 EG	326
CC200-ICRKON	162	EGL-MSB-18	73	HRCN025 EG	326
CC200RKON	162	EGL-SIDE-DRC	72	HRCN037 EG	326
CC250-ICRKON	162	EGL-STRUT-CLIP	71	HTHR025 06EG	322
CC250RKON	162	EGL-ZBAR-12	75	HTHR025 10EG	322
CC300-ICRKON	162	EGL2-04SL-120	66	HTHR037 06EG	322
CC300RKON	162	EGL2-04SL-120SS	66	HTHR037 10EG	322
CC350-ICRKON	162	EGL2-06SL-120	66	HTHR050 06EG	322
CC400-ICRKON	162	EGL2-08SL-120SS	66	HTHR050 10EG	322
CC400RKON	162	EGL2-12SL-120	66	HTHR062 10EG	322
CC50-ICRKON	162	EGL2-16SL-120	66	HTHR075 10EG	322
CC50RKON	162	EGL2-18SL-120	66	J1207 EG	356
CC75-ICRKON	162	EGL2-24SL-120	66	JC2KON	257
CC75RKON	162	EGL4-01SB-120	68	K1062 EG	327
CCR-250KON	164	EGL4-04SL-120	67	K1063 EG	327
CCR-50KON	164	EGL4-06SL-120	67	K1064 EG	327
CCR-75KON	164	EGL4-08SL-120	67	LH04-42-L00	52
CH1	69	EGL4-12SL-120	67	LH04-42-L01	52
CH2	69	EGL4-18SL-120	67	LH04-42-L02	52
CH3	69	EGL4-24SL-120	67	LH04-42-L03	52
CK100RKON	163	EGL6-06SL-120	67	LH04-60-L00	52
CK125RKON	163	EGL6-12SL-120	67	LH05-42-L00	52
CK150RKON	163	EGL6-24SL-120	67	LH05-42-L01	52
CK200RKON	163	HCS0KON	199	LJ04-42-L00	55
CK250RKON	163	HCS1KON	199	LT250-ICKON	196
CK300RKON	163	HCS25KON	199	LT25090-ICKON	194
CK350RKON	163	HCS2KON	199	LT250KON	196
CK400RKON	163	HCS5KON	199	LT300-ICKON	196
CK50RKON	163	HFLW025 EG	323	LT30045KON	192
CK75RKON	163	HFLW037 EG	323	LT30090KON	194
CKR-125KON	165	HFLW050 EG	323	LT300KON	196
CKR-200KON	165	HFLW062 EG	323	LT400-ICKON	196

Index

Part Number	Page #	Part Number	Page #	Part Number	Page #
LT40045KON	192	P1000 10PG	278	P1007 EG	300
LT400KON	196	P1000 10PL	278	P1007 SS	300
LTQ10090-ICKON	194	P1000 10SS	278	P1008 EG	300
LTQ10090KON	194	P1000 20EA	278	P1008 HG	300
LTQ100KON	196	P1000 20GR	278	P1008 SS	300
LTQ125-ICKON	196	P1000 20HG	278	P1008M10 EG	300
LTQ12590KON	194	P1000 20PG	278	P1008T EG	301
LTQ125KON	196	P1000 20PL	278	P1008TIM EG	301
LTQ15090KON	194	P1000 20SS	278	P1008TU SS	301
LTQ150KON	196	P1000H3 10PG	278	P1008TUS EG	301
LTQ20090KON	194	P1000HS 10HG	278	P1008U SS	300
LTQ200KON	196	P1000HS 10PG	278	P1010 EG	300
LTQ50-ICKON	196	P1000HS 20HG	278	P1010 HG	300
LTQ5045KON	192	P1000SL 10HG	278	P1010 SS	300
LTQ5090-ICKON	194	P1000SL 10PG	278	P1010TIM EG	301
LTQ5090KON	194	P1000SL 20PG	278	P1010TUS EG	301
LTQ50KON	196	P1000T 10DF	279	P1012 EG	302
LTQ75-ICKON	196	P1000T 10EA	279	P1012S EG	302
LTQ7590-ICKON	194	P1000T 10GR	279	P1026 EG	337
LTQ7590KON	194	P1000T 10HG	279	P1026 HG	337
LTQ75KON	196	P1000T 10PG	279	P1026 SS	337
MC04-42-L01	54	P1000T 10PL	279	P1028 EG	330
MLB2KON	181	P1000T 10SS	279	P1029 EG	337
MLB3KON	181	P1000T 10ST	279	P1031 EG	330
MLB4KON	181	P1000T 10ZD	279	P1031 HG	330
MLB6KON	181	P1000T 20HG	279	P1031 SS	330
MSC100-ICKON	174	P1000T 20PG	279	P1035 EG	338
MSC150KON	174	P1000T 20SS	279	P1036 EG	331
MSC300KON	174	P1000WT 10PG	279	P1043A EG	350
MSC3890KON	175	P1001 10GR	281	P1043A HG	350
MSC5090KON	175	P1001 10HG	281	P1044 EG	350
MSC75-ICKON	174	P1001 10PG	281	P1045 EG	349
MSC7590-ICKON	175	P1001 10SS	281	P1045 HG	349
MSC75KON	174	P1001 20GR	281	P1045 ST	349
MSCD50-ICKON	160	P1001 20HG	281	P1047 EG	351
MU050 EG	356	P1001 20PG	281	P1047 GR	351
MU075 EG	356	P1001C 10PG	283	P1047 HG	351
N150KON	253	P1001C 20PG	283	P1048 HG	351
N200KON	253	P1001T 10DF	281	P1050 GR	351
NMLT-100KON	197	P1001T 10HG	281	P1062 EG	323
NMLT-125KON	197	P1001T 10PG	281	P1062 SS	323
NMLT-150KON	197	P1001T 10SS	281	P1063 EG	323
NMLT-200KON	197	P1001T 20PG	281	P1063 HG	323
NMLT-50KON	197	P1006-1024EG	300	P1063 SS	323
NMLT-75KON	197	P1006-1420EG	300	P1064 EG	323
NMLT-90100KON	191	P1006-1420HG	300	P1064 HG	323
NMLT-90125KON	191	P1006-1420SS	300	P1064 SS	323
NMLT-9050KON	191	P1006T1420EG	301	P1065 EG	331
NMLT-9075KON	191	P1006TIM1420EG	301	P1066 EG	332
P1000 10EA	278	P1006TU1420SS	301	P1067 EG	332
P1000 10GR	278	P1006TUS1420EG	301	P1067 GR	332
P1000 10HG	278	P1006U1420SS	300	P1067 HG	332

Index

Part Number	Page #	Part Number	Page #	Part Number	Page #
P1068 EG	338	P1119AS EG	358	P1426 EG	360
P1068 HG	338	P1120 EG	358	P1426AS EG	360
P1068 SS	338	P1120 SS	358	P1427 EG	360
P1075 EG	311	P1120AS EG	358	P1427AS EG	360
P1075 HG	311	P1121 AL	358	P1428 EG	360
P1100T 10PG	290	P1121 EG	358	P1428AS EG	360
P1100T 10SS	290	P1121 HG	358	P1429 EG	360
P1100T 20PG	290	P1121 SS	358	P1429AS EG	360
P1111 AL	357	P1121AS EG	358	P1430AS EG	360
P1111 EG	357	P1123 EG	358	P1431 EG	360
P1111 HG	357	P1124 EG	358	P1431AS EG	360
P1111 SS	357	P1124 HG	358	P1458 EG	342
P1111AS EG	357	P1124AS EG	358	P1458 HG	342
P1112 AL	357	P1126 EG	358	P1499 HG	343
P1112 EG	357	P1180 EG	316	P1546 EG	346
P1112 HG	357	P1184P 10GY	316	P1546 GR	346
P1112 SS	357	P1186 EG	344	P1546 HG	346
P1112 ST	357	P1186 HG	344	P1565 EG	360
P1112AS EG	357	P1211 EG	359	P1651S SS	307
P1113 AL	357	P1211AS EG	359	P1726 EG	334
P1113 DF	357	P1212 EG	359	P1726 HG	334
P1113 EG	357	P1212AS EG	359	P1737 EG	352
P1113 HG	357	P1213 EG	359	P1737 GR	352
P1113 SS	357	P1213AS EG	359	P1737 HG	352
P1113 ST	357	P1214 EG	359	P1775 HG	311
P1113AS EG	357	P1214AS EG	359	P1796S EG	307
P1114 AL	357	P1215 EG	359	P1796S HG	307
P1114 EG	357	P1215AS EG	359	P1796S SS	307
P1114 HG	357	P1217 EG	359	P1834 EG	366
P1114 SS	357	P1217AS EG	359	P1834A EG	366
P1114AS EG	357	P1280 EG	317	P1843 EG	347
P1115 AL	357	P1280 SS	317	P1873 EG	335
P1115 EG	357	P1281 EG	339	P1924 EG	335
P1115 HG	357	P1315 EG	339	P1964 EG	323
P1115 SS	357	P1325 EG	340	P2008 EG	361
P1115AS EG	357	P1325 HG	340	P2010 EG	361
P1117 AL	358	P1325 SS	340	P2012 EG	361
P1117 EG	358	P1326 EG	341	P2026 EG	361
P1117 HG	358	P1346 EG	341	P2072A EG	364
P1117 SS	358	P1354 EG	345	P2072A HG	364
P1117 ST	358	P1354A EG	345	P2072ASQ EG	364
P1117AS EG	358	P1354AW EG	346	P2072ASQ HG	364
P1117AS HG	358	P1358 EG	333	P2072ASQ SS	364
P1118 AL	358	P1359 EG	342	P2073A EG	364
P1118 EG	358	P1377 EG	352	P2073ASQ EG	364
P1118 HG	358	P1377 HG	352	P2073ASQ HG	364
P1118 SS	358	P1379S EG	306	P2073ASQ SS	364
P1118AS EG	358	P1380 EG	333	P2079 HG	336
P1119 AL	358	P1380 SS	333	P2097 EG	346
P1119 EG	358	P1380A EG	334	P2107 HG	344
P1119 HG	358	P1380A HG	334	P2108 EG	344
P1119 SS	358	P1386 EG	306	P2224 EG	353

Index

Part Number	Page #	Part Number	Page #	Part Number	Page #
P2230 EG	353	P2786 HG	309	P4006-1420AL	304
P2234A HG	312	P2787 EG	310	P4006-1420EG	304
P2265 EG	347	P2815 EG	315	P4006-1420SS	304
P2265 GR	347	P2815 HG	315	P4006U1420SS	304
P2265 HG	347	P2859-10 GY	318	P4007 EG	304
P2345 EG	354	P2859-10 WH	318	P4008 EG	304
P2345 HG	354	P2860-10 VY	318	P4008 HG	304
P2346 EG	354	P2860-33 VY	318	P4008 SS	304
P2346 GR	354	P2860-50 VY	318	P4010 EG	304
P2348 EG	355	P2862 EG	336	P4010UT SS	301
P2348 GR	355	P2863 EG	336	P4100 10PG	291
P2381-4 EG	303	P2864 EG	336	P4100 10PL	291
P2403S EG	308	P2864 ZD	336	P4100 20PL	291
P2407 EG	317	P2894-25 EG	310	P4100T 10HG	291
P2452 EG	312	P2894-37 EG	310	P4100T 10PG	291
P2452 HG	312	P2941 EG	365	P4100T 10SS	291
P2484 EG	343	P2942 EG	365	P4100T 20PG	291
P2485 EG	327	P2944 HG	314	P4101T 10PG	293
P2486 EG	328	P2945 HG	314	P4377 EG	352
P2499L HG	313	P2945 SS	314	P5000 10PG	286
P2539 EG	329	P2947 HG	314	P5000 20HG	286
P2542 GR	313	P2947 SS	314	P5000 20PG	286
P2542 HG	313	P2949 EG	368	P5000T 10PG	286
P2543 HG	313	P2950 EG	369	P5000T 20PG	286
P2544 HG	313	P3000 10PG	284	P5001 20PG	287
P2545 HG	313	P3006-1420EG	303	P5001T 20PG	287
P2546 HG	313	P3008 EG	303	P5280 EG	316
P2547 HG	314	P3010 EG	303	P5500 10PG	288
P2548 HG	314	P3010 HG	303	P5500 20PG	288
P2549 HG	314	P3087 EG	321	P5500T 20PG	288
P2550 HG	314	P3184 10PG	319	P5500WT 20PG	288
P2551 HG	314	P3184P 10GY	319	P5501 10PG	289
P2558-05 EG	362	P3184P 10WH	319	P5501 20GR	289
P2558-07 EG	362	P3256WC PG	321	P5501 20PG	289
P2558-07 HG	362	P3300 10HG	285	P5510 EG	305
P2558-07 SS	362	P3300 10PG	285	P6067 EG	372
P2558-10 EG	362	P3300 10PL	285	P7000 10EA	296
P2558-10 HG	362	P3300 10SS	285	P7000 10PL	296
P2558-15 EG	362	P3300 10ST	285	P7006-0832EG	371
P2558-15 HG	362	P3300 20PG	285	P9000 10PG	374
P2558-20 EG	362	P3300T 10HG	285	P9200 10PG	375
P2558-30 EG	362	P3300T 10PG	285	PA0700C27SA	223
P2600	362	P3300T 10PL	285	PA0700CP00	233
P2675 HG	308	P3300T 10SS	285	PA0700LB27SA	224
P2749 EG	367	P3300T 20PG	285	PA0700T27SA	224
P2750 EG	367	P3380 EG	317	PA0710CT00	122
P2750 SS	367	P3413 EG	363	PA0790EL00	152
P2751 EG	368	P3417 EG	363	PA1000CP00	233
P2785 EG	309	P3712 P	319	PA1010CT00	122
P2785 HG	309	P3810-050 EG	348	PA1090EL00	152
P2785 SS	309	P4000 20EA	294	PA1210CT00	122
P2786 EG	309	P4000T 10EA	294	PA1510CT00	122

Index

Part Number	Page #	Part Number	Page #	Part Number	Page #
PA158 10PG	373	PV0700ST2	230	PV2000B2013	245
PA2000CP00	233	PV0700T27	222	PV2000CP00	235
PA2000STA6	231	PV0700T28	227	PV2000EYS6	244
PA2010CT00	122	PV0700TB28	228	PV2000LB67	221
PA3010CT00	122	PV0700UNF205	248	PV2000LB68	226
PA3090EL00	152	PV0700UNY205	249	PV2000LT200	240
PA4000C1089	229	PV0700XJG24	239	PV2000REC603	234
PA4000CP00	233	PV0710CT00	121	PV2000ST6	230
PA4010CT00	122	PV0710CT00-E	121	PV2000T68	227
PA4090EL00	152	PV0712CN00	243	PV2000UNF605	248
PA5010CT00	122	PV0790EL00	152	PV2000X68	228
PL01R42-06	12	PV10001S00	247	PV2010CT00	121
PL01R60-06	12	PV1000B2010	245	PV2010CT00-E	121
PL03R42-46	12	PV1000C38	225	PV2012CN00	243
PL10R60-06	12	PV1000CB3	247	PV2024SW90	153
PL34R60-06	12	PV1000CP00	235	PV2045EL00	152
PL50R60-06	12	PV1000EYS3	244	PV2090EL00	152
PL60R60-06	12	PV1000LB37	221	PV2500CP00	235
PL91R42-06	12	PV1000LB38	226	PV2500LT250	240
PL91R60-06	12	PV1000LT100	240	PV2500ST7	230
PV-TOUCHUP-BLACK-PT	250	PV1000LT10090	242	PV2510CT00	121
PV-TOUCHUP-SPRAY	250	PV1000ST3	230	PV2590EL00	152
PV0000B22	246	PV1000STG3	232	PV3000B2015	245
PV0000B22SH	246	PV1000T37	222	PV3000CP00	235
PV0000B52SH	246	PV1000T38	227	PV3000ST8	230
PV0500CP00	235	PV1000TB38	228	PV3010CT00	121
PV0500LT50	240	PV1000UNF305	248	PV3012CN00	243
PV0500LT5045	241	PV1010CT00	121	PV3036SW90	153
PV0500LT5090	242	PV1010CT00-E	121	PV3045EL00	152
PV0500ST1	230	PV1012CN00	243	PV3090EL00	152
PV0510CT00	121	PV1040CN00	243	PV4000CP00	235
PV0520HS-CLPSET	250	PV1090EL00	152	PV4000ST10	230
PV07001S00	247	PV1200B2011	245	PV4000UNF1005	248
PV0700270F	222	PV1200CP00	235	PV4010CT00	121
PV0700280F	228	PV1200ST4	230	PV4010CT00-E	121
PV0700B2009	245	PV1200STG4	232	PV4012CN00	243
PV0700C28	225	PV1210CT00	121	PV4045EL00	152
PV0700CB2	247	PV1210CT00-E	121	PV4048SW90	153
PV0700CP00	235	PV1212CN00	243	PV4090EL00	152
PV0700EYS2	244	PV1224SW90	153	PV5010CT00	121
PV0700EYS21	244	PV1290EL00	152	PV5048SW90	153
PV0700FD2	236	PV1500B2012	245	PV6012CN00	243
PV0700FDC2	237	PV1500CP00	235	QL-50DBKON	170
PV0700FS2	238	PV1500LB57	221	QL-50DKON	173
PV0700LB27	221	PV1500LB58	226	QL-50KON	173
PV0700LB28	226	PV1500ST5	230	QUICK-LATCH	65
PV0700LL28	226	PV1500T58	227	RCC200KON	258
PV0700LR28	227	PV1500UNF505	248	RCC300KON	258
PV0700LT75	240	PV1510CT00	121	RSC150KON	259
PV0700LT7590	242	PV1510CT00-E	121	RSC200KON	259
PV0700MH00	247	PV1512CN00	243	RSC50KON	259
PV0700RAC75HD	245	PV1590EL00	152	RSC75KON	259

Index

Part Number	Page #	Part Number	Page #	Part Number	Page #
RSK50KON	260	SK250RKON	167		
RSK75KON	260	SK300RKON	167		
S004B42T00	36	SK350RKON	167		
S004B42T01	36	SK400RKON	167		
S004B42T03	36	SK50RKON	167		
S004B42T04	36	SK75RKON	167		
S004B42T05	36	SL04B42-L00	48		
S004B60T00	36	SL04B42-L01	48		
S004B60T04	36	SRCC300KON	268		
S004B60T05	36	SRCC400KON	268		
S005B42T00	36	SRCC75KON	268		
SC100-ICRKON	166	SRCCR200KON	269		
SC100RKON	166	SRCK300KON	267		
SC125-ICRKON	166	SRCKR200KON	266		
SC125RKON	166	SRCKR400KON	266		
SC150-ICRKON	166	STC300KON	261		
SC150RKON	166	STC350KON	261		
SC200-ICRKON	166	T-BAR	68		
SC200RKON	166	T-LATCH	65		
SC250-ICRKON	166				
SC250RKON	166				
SC300-ICRKON	166				
SC300RKON	166				
SC350-ICRKON	166				
SC350RKON	166				
SC400-ICRKON	166				
SC400RKON	166				
SC50-ICRKON	166				
SC50RKON	166				
SC75-ICRKON	166				
SC75RKON	166				
SE100-1KON	168				
SE150-1KON	168				
SE200-1KON	168				
SE50-1KON	168				
SE75-1KON	168				
SEC250KON	265				
SECR100KON	264				
SECR300KON	264				
SECR75KON	264				
SF10R60-00	15				
SF13R60-00	15				
SF34R42-00	15				
SF34R42K06	15				
SF34R60-00	15				
SF37R42-00	15				
SF37R60-00	15				
SF60R60-00	16				
SK100RKON	167				
SK125RKON	167				
SK150RKON	167				
SK200RKON	167				



**BUILDING BETTER
TOGETHER**

Atkore
1181 Cass White Road
Cartersville, GA 30184

TOLL FREE / 800-882-5543
LOCAL / 800-882-5543

rsccustomerservice@atkore.com

atkore.com

Want to join a company that helps you build
the mindset, skill set and tool set for success?
Visit us at atkore.com/careers

©2024 Atkore. All rights reserved. ATKR-CAT-6723-2402