

Data Centers









 **Atkore™**



Table of Contents

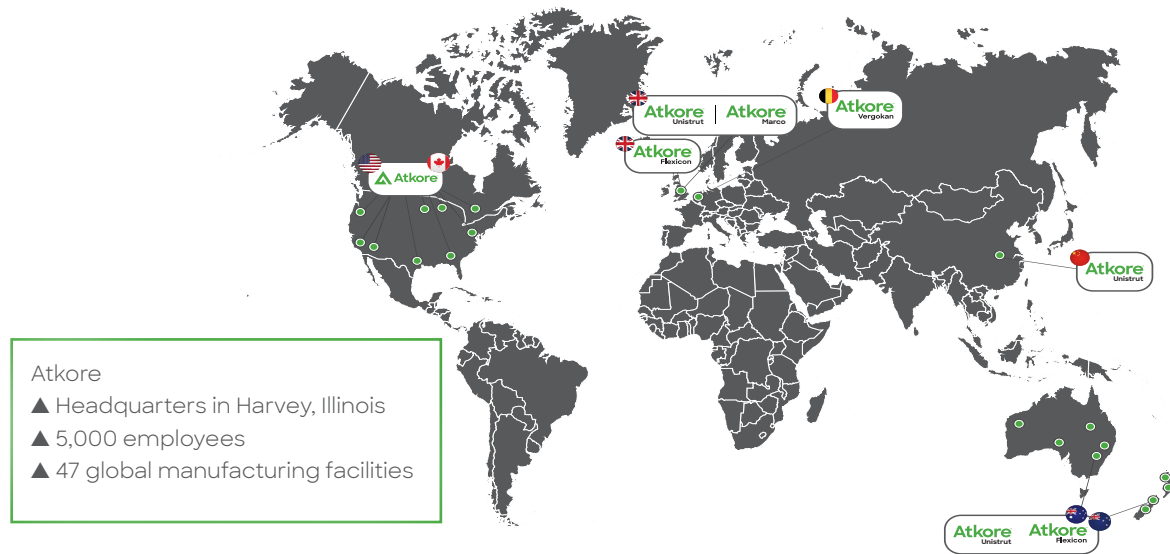
Data Center Brochure

3 Our Global Presence	4 Aisle Containment		5 Structural Ceiling	
6 Ceiling Grid Design	7-8 Process Map & Consultation	9 Atkore Product Range		10 Talon
11 Framing Systems	12 Kit Assemblies		13 3D Modules	14 FEA
15 Design, Tools & Resources		16 Contact Us	17 Notes	

Our Global Presence

All you need is Atkore

We are a leading manufacturer of electrical solutions that power and protect the world around us. For nearly a century, we have grown through a deep understanding of the high demands of the construction industry. Our portfolio of industry-leading brands, coupled with our breadth of products and solutions, brings exceptional value to our customers.



Our Mission

Atkore's mission is to be our customers' first choice by providing unmatched quality, delivery and value based on sustainable excellence in strategy, people and process.

Global manufacturing serving global markets

Our employees and manufacturing facilities worldwide are contributing to a future where engineers, contractors and our distributor partners can research, select, specify, procure and install the right solutions on time and under budget.

Environmental, Social Governance

Our commitment to producing high quality products while ensuring that all materials used in the manufacturing of our products are free of conflict minerals, lessens the negative impact to the people that create, use and deliver our products, while protecting the environment in which we work. We are invested in making environment, health, and safety an indispensable part of our company's commitment to sustainability.

For more information please visit Atkore.com

Aisle Containment

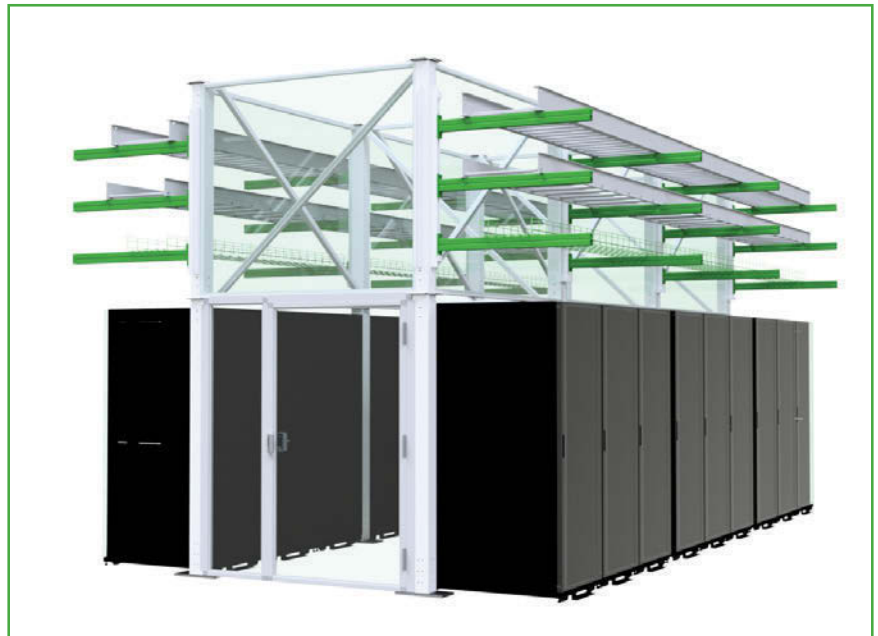
Aisle Containment System

Atkore's containment caters to your bespoke application

Atkore Unistrut aisle containment systems can be designed to fit any rack configuration including aisles with varying rack heights, widths, depths, and alignment.

Why Atkore Unistrut aisle containment?

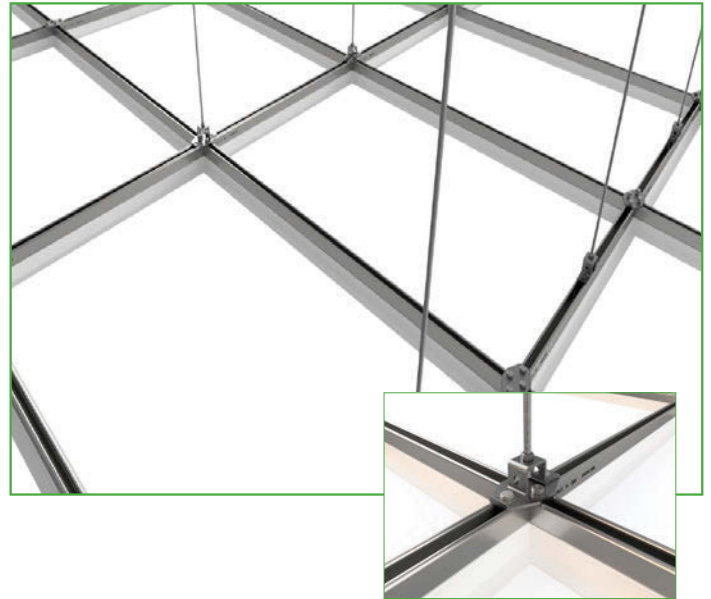
- ▲ Designed and engineered to project specification
- ▲ Installation drawings and service
- ▲ Seismic Category D rating
- ▲ Modular design improves install efficiency
- ▲ Unparalleled health and safety benefits
- ▲ Vertically integrated manufacturing
- ▲ Swing and sliding door options



Structural Ceiling System

Custom Engineering

Structural ceilings are designed to support heavy loads and are used extensively in data centers where high levels of load need to be supported. Atkore Unistrut is a preferred support system amongst MEP applications in data centers and so with the Atkore Unistrut's structural ceiling system this allows you to continue with a proven method that is widely accepted on these projects. The main advantage of this ceiling is that heavier elements can be installed on the structural grid whilst supporting your ceiling tile. Our system is suitable for most standard grid sizes and can be designed to suit various load types.

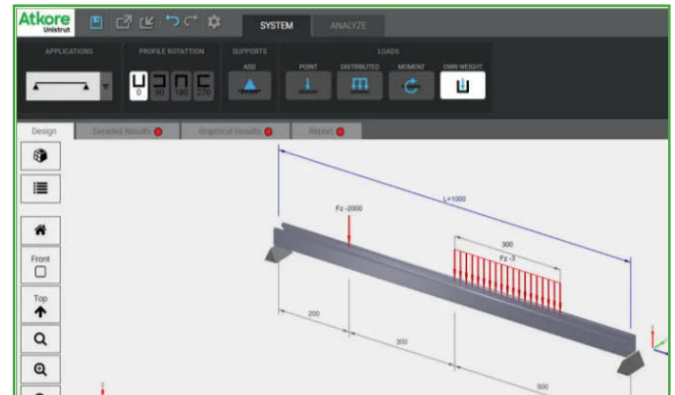
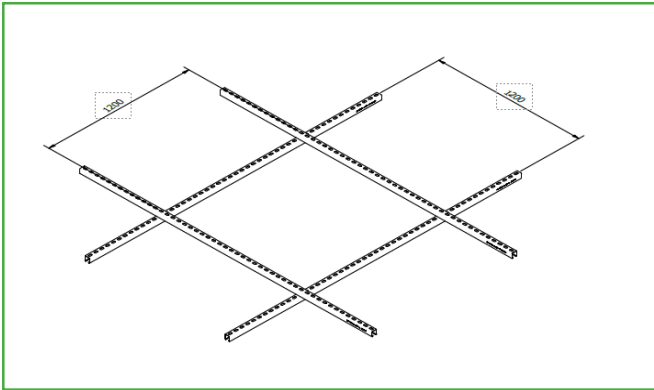
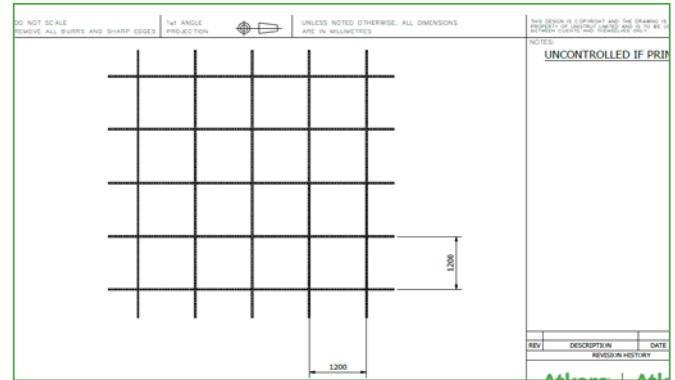


Ceiling Grid Design

Designed To Support

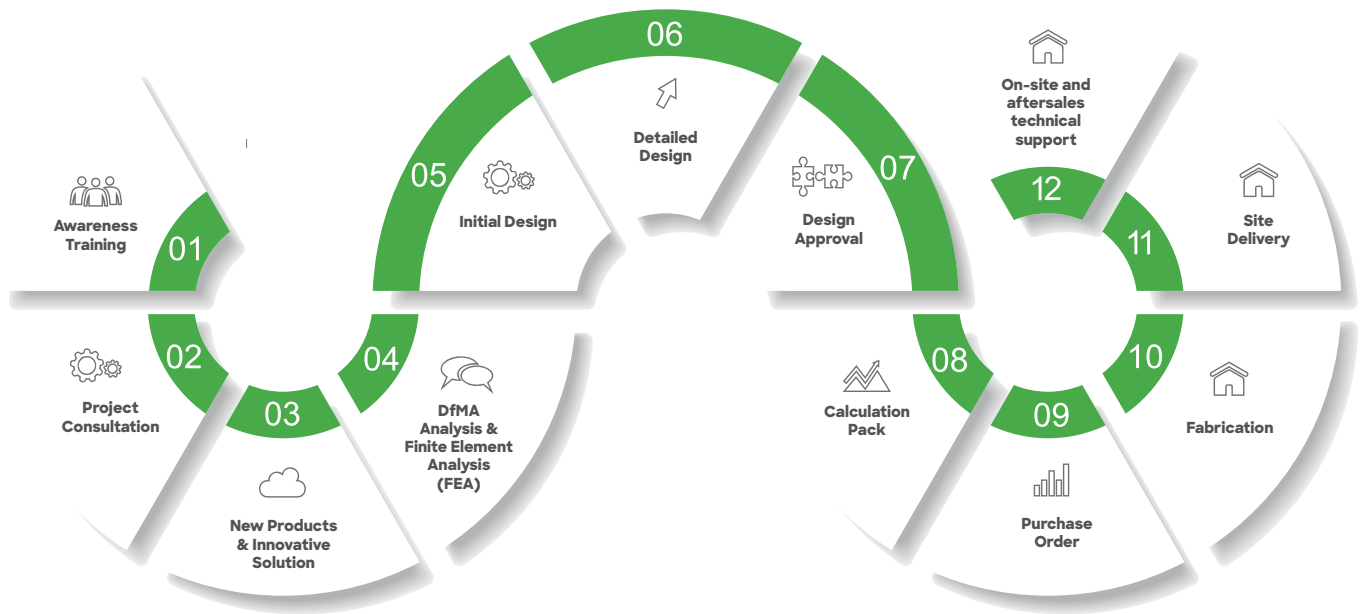
Ceiling grids are designed to support miscellaneous mechanical and electrical equipment, decorative panels, and lighting. The versatility of Atkore Unistrut ceiling grids allows attachments to be made anywhere along the channel opening and the abundance of available fittings means significant savings in time and labour cost.

Thanks to the infinitely adjustable nature of structures built with Atkore Unistrut your new ceiling grid can easily adapt to changing needs. Our Atkore Unistrut beam calculator will confirm which profile Unistrut will be required to suit various grid sizes and loads.



Process Map

Added Value



Project Consultation

Engineered Support

Working with clients to ensure each module is supplied in line with project timetables

We are able to offer a series of technical and engineering support services for all products.

Product delivery is key, and important to the construction of modules. Atkore Unistrut is committed to delivering a complete service when it comes to designing and delivering modular framing systems.

This enables the business to support the client throughout the entire design phase.

From initial inquiry Atkore Unistrut are able to offer a tailored service to meet all the customers' needs and requirements. With support and advice given through each step of the service to ensure the correct solutions are delivered first time.

Services include:

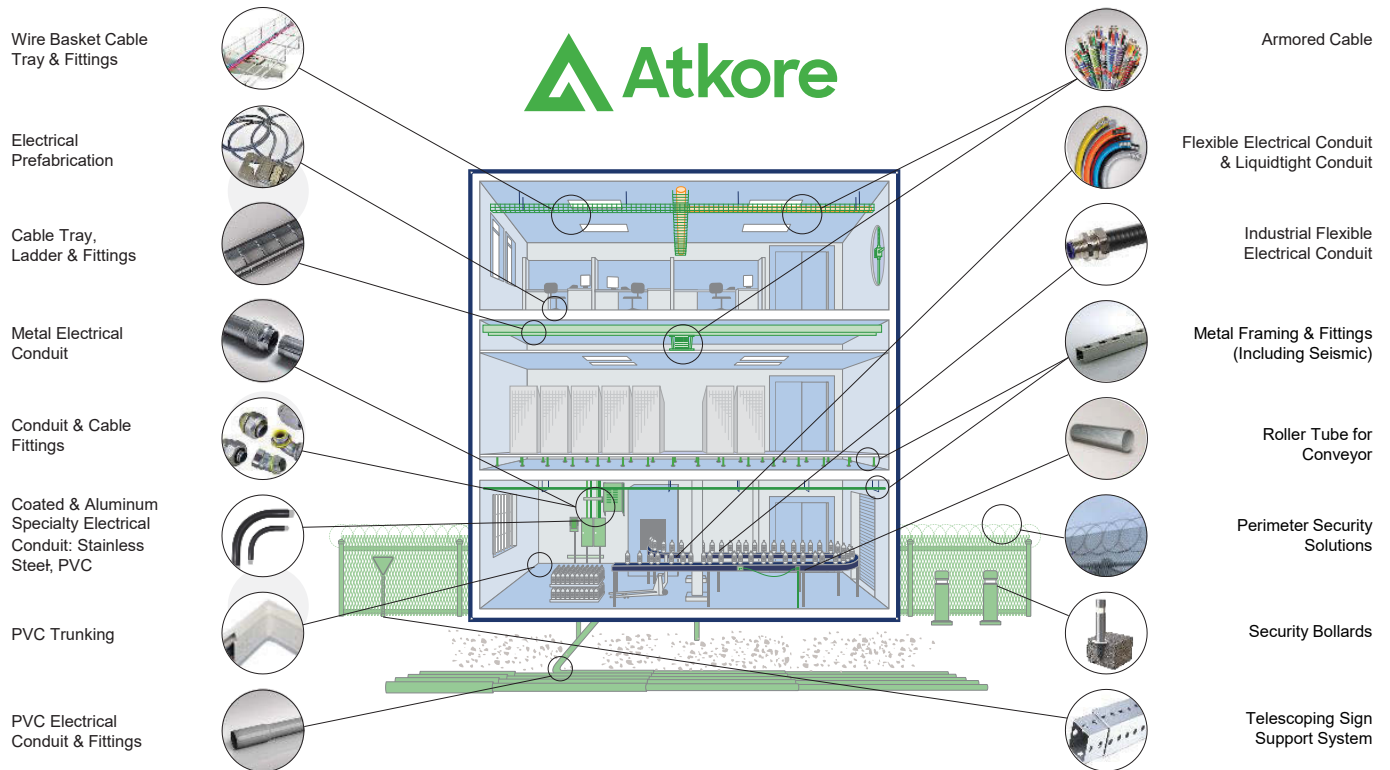
- 1. Consultation**, by sitting down with the client and having an initial requirement discussion, Atkore Unistrut can begin looking at drawings and advise on what requirements need to be met for the project
- 2. Specification**, Once specification is given, Atkore Unistrut will look at the engineering and design requirements through detailed drawings sent from the client, from this an accurate bill of materials to provide costs for producing each module can be generated.
- 3. Drawing Delivery & Design Freeze**, Atkore Unistrut will deliver drawings and get Client approval on modular units ready to go into manufacture. Here the final decision and order is placed for the units, with customer accepting design responsibility.
- 4. Project Delivery & Schedule**, Modules are put into manufacture in-line with clients delivery schedule, to ensure each unit required for each phase of construction is delivered on time.
- 5. Manufacture**, Atkore Unistrut will begin manufacture of each module, ensuring quality checks are performed at each key stage. Client is updated with progress on their modules and continuous communication from the engineering and sales teams.
- 6. Delivery**, Upon completion, Atkore Unistrut will deliver completed modules to site, ready to install as per agreed schedule.

Atkore Product Range

Cable Management & Protection

Atkore's full range of products

Provides a variety of solutions for every application, reducing costs and moving everyone faster from blueprint to final inspection and approval.



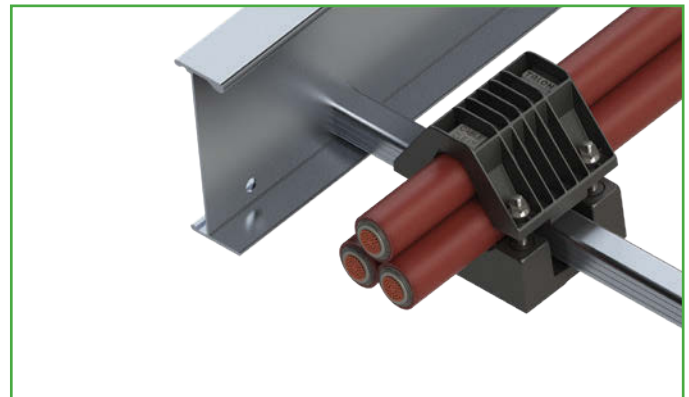
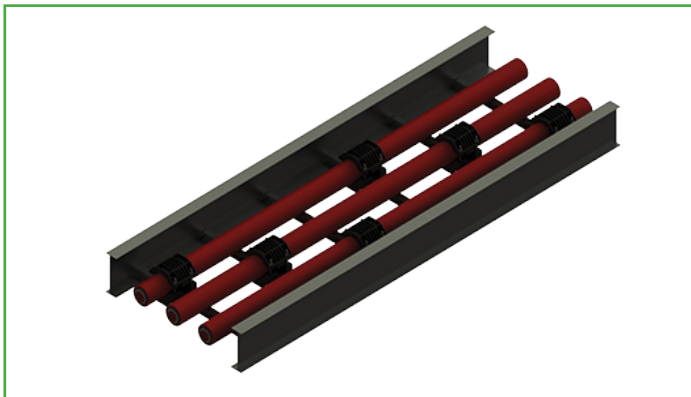
Talon

Cable Cleats

Hold the cables, hug the rung

Talon cable cleats are a cable management product used to secure cables when installed at intervals along the length of the cable. They are typically used for support, restraint, strain relief and short circuit protection by containing the cables without damage.

- ▲ Fastest installation time and related labour savings with cable tray rung-hugging technology
- ▲ Longest service life with industry leading UV protection
- ▲ Strongest cleat on the market for ultimate short-circuit protection
- ▲ Reduces on site labour and improves install efficiency



Images shown above are for illustration purposes only

Framing Systems

Trapeze Frames

Multi-Service support for mechanical, electrical and ventilation

Fully Specified

Each threaded rod unit can be supplied to the client specific requirements, ensuring that every job is met with accurate and ready to install modules. Specific dimensions on the size of channel used and the thickness of the threaded rod can be specified to Atkore Unistrut upon inquiry.

Multiple Tiers

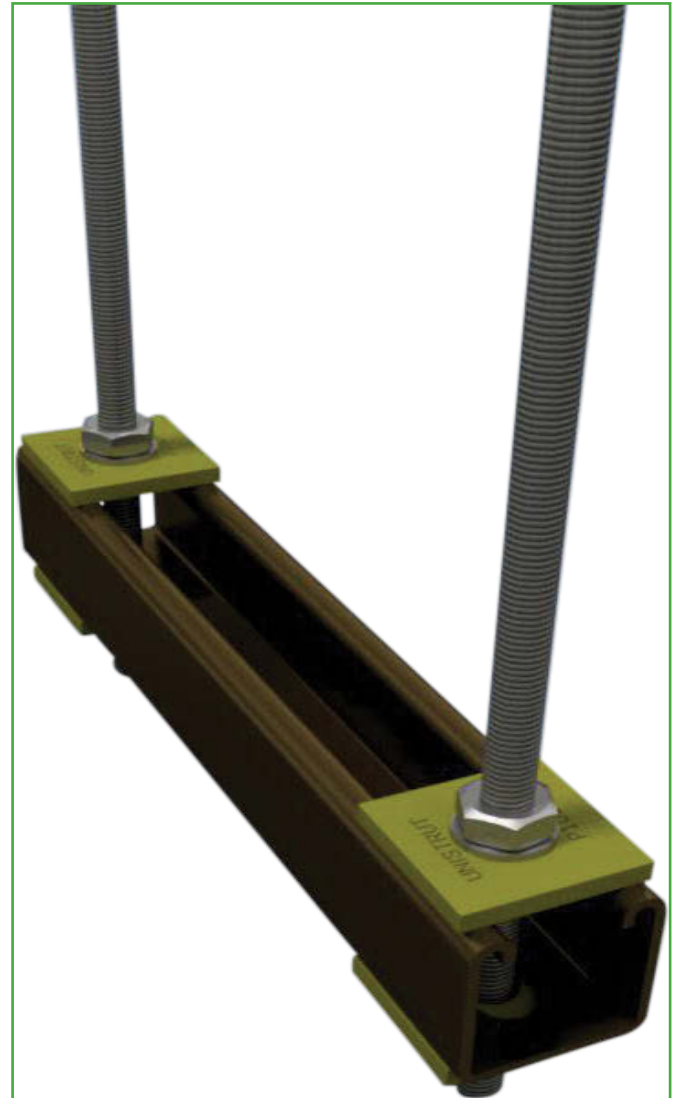
Each unit can be supplied as a single, or multi-tiered sets, to allow for multiple changing configurations on-site.

Best Practice

Each trapeze frame is manufactured to Atkore Unistrut's best practice, which includes our square plate and flat washers. Atkore Unistrut ensure each unit is manufactured to comply with all applicable standards.

Application Specific

Each trapeze unit is designed to specific customer requirements, with application driven load calculations done beforehand to ensure each unit can support all on-site requirements.



Pre Fabricated or Kit Assembly

Design for installation

Bespoke modular units, delivered complete & ready to install

Atkore Unistrut's kit assembly is designed for installation on projects where multiple repeating specifications are required, and are supplied complete, ensuring each order arrives with the exact number of components and accessories. Benefits of kit modules include reduced waste on site, reduced time spent cutting and assembling framing, and ensures that exact quantities are delivered each time.

Reduced time on-site

By ordering Atkore Unistrut Kit modules, you can be sure each unit arrives on site-ready to install.

Reduced waste

Each unit is supplied pre-cut to exact lengths requested, ensuring no excess waste is produced on-site.

Exact quantities

Each module is delivered, assembled complete with all accessories and fittings required.



3D Modules

Bespoke Modular Units

Unpopulated 3D modules, designed as extensions of the 2D model, manufactured to house a wide range of electrical and mechanical services

Atkore Unistrut's 3D modules are designed to house a complex series of electrical and mechanical infrastructure. Atkore Unistrut's Modular service ensures each unit is manufactured to the customers specific requirements, and clear guidance and technical support, as well as regular updates are provided throughout the duration of manufacture.

Scope of work

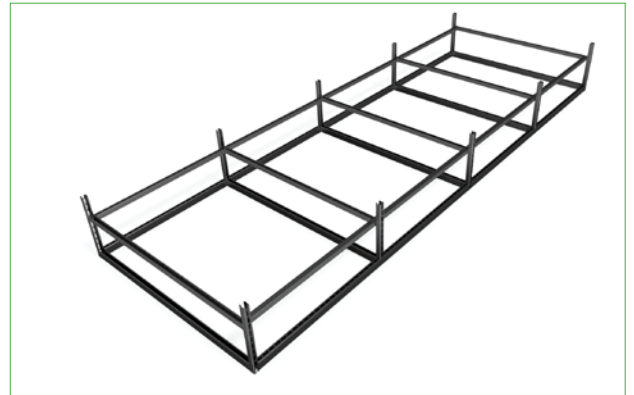
Atkore Unistrut are able to manufacture a wide scope of 3D modules, whether the client requires a one-off design solution, or hundreds of modules. No project is the same, and Atkore Unistrut are able to offer a wide variety of flexible solutions to suit the clients needs.

Ready to install

Atkore Unistrut's 3D modules are assembled in-house at our specialist facility and delivered to site, complete and ready to install.

Flexible design service

Atkore Unistrut offer a complete design assistance service, ensuring each module is drawn and signed off before manufacture.



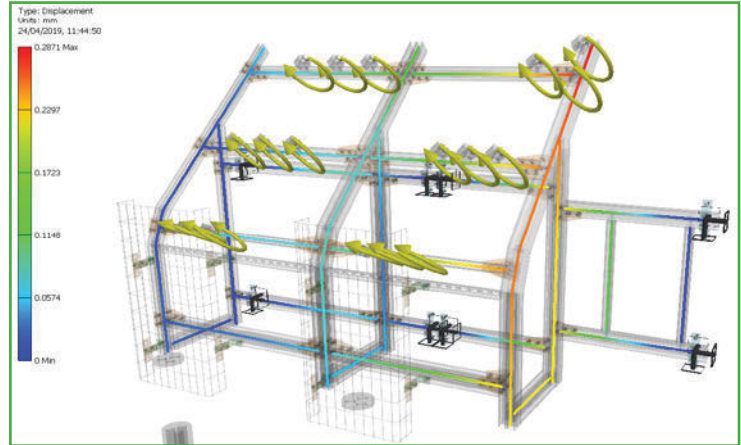
FEA

Finite Element Analysis

Atkore Unistrut & Atkore Marco's DfMA solutions all undergo Finite Element Analysis, this allows us, the manufacturer and you, the client to understand how the business' deliverable works in the real world.

DfMA has been undertaken by Atkore Unistrut & Atkore Marco in the most demanding of projects from major Infrastructure projects through Healthcare to Nuclear where long design life considerations are paramount.

Whilst modelling, constraint and loading on the the designs in an 'as built' or 'as installed' state, the business can eliminate points of failure and ensure that the design is not over engineered but engineered correctly to allow ease of installation and confidence that the solution works through the warrantied period and beyond.



Design Tools & Resources

The highest level of customer support

At Atkore, we provide an ever increasing suite of design tools and resources to help specifiers and contractors select and specify the right Atkore product solution with confidence.

BIM Library (Building Information Modelling)

Our BIM Library is an intelligence-based 3D Model software system used for planning, designing, construction, and management of infrastructures, buildings and sites. Populated with information such as manufacturer, part numbers, UPC codes, size, type and color. Our BIM files provide clash detection and reduction in cost as additional benefits.

REVIT® Toolbar

Our custom integrated toolbar to the Revit® software package is free to download. This new Atkore Revit® Toolbar allows contractors and BIM designers to access all Atkore products without leaving the Revit software. Automatically running in the background and available for use in any project, there's no need to download individual files



Contact Us

For more information

Atkore

16100 South Lathrop
Harvey, IL 60426
atkore.com

Atkore Unistrut

16100 South Lathrop Avenue
Harvey, IL 60426
TOLL-FREE / 800-882-5543
FAX / 708-339-7814

585 Finley Avenue
Ajax, Ontario, L1S 2E4 Canada
PHONE / 905-683-8131
FAX / 905-683-8987
atkore.com/unistrut

Atkore Cope

11500 Norcom Rd
Philadelphia, PA 19154

TOLL-FREE / 800-882-5543
PHONE / 708-339-1610
atkore.com/cope

Atkore US Tray

560 Wharton Circle SW, Suite E
Atlanta, GA 30336

TOLL-FREE / 800-882-5543
PHONE / 708-339-1610
atkore.com/ustray

Atkore Allied

16100 South Lathrop Avenue
Harvey, IL 60426

TOLL-FREE / 800-882-5543
PHONE / 708-339-1610
atkore.com/allied

Atkore ACS/Uni-Fab

260 Duchaine Blvd.
New Bedford, MA 02745

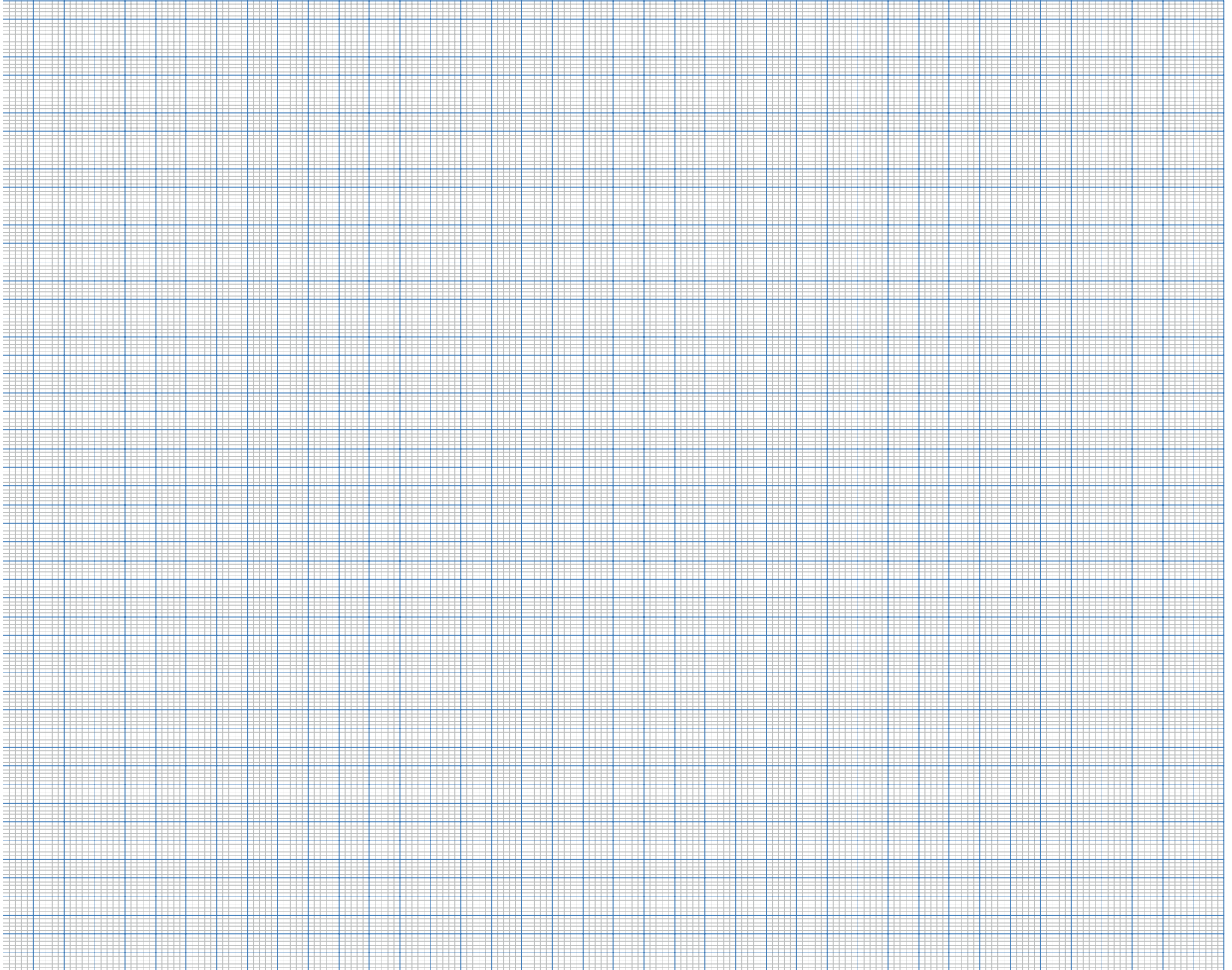
TOLL-FREE / 800-426-3170
PHONE / 508-996-8277
atkore.com/acsunifab

Atkore Calpipe Security Bollards

250 Capital Dr.
Hebron, OH 43025

TOLL-FREE / 877-283-8518
atkore.com/calpipesecurity

Key Takings





Allied Tube & Conduit ▲ AFC Cable Systems ▲ Heritage Plastics ▲ Cii ▲ Unistrut ▲ US Tray
Unistrut Construction ▲ Marco ▲ Calpipe Security ▲ Calbrite ▲ Calbond ▲ Flexicon ▲ Kaf-Tech
Power-Strut ▲ Calconduit ▲ FRE Composites ▲ United Poly Systems ▲ Sasco Strut ▲ Columbia-MBF
Elite Polymer Solutions ▲ Four Star Industries ▲ Eastern Wire + Conduit ▲ ACS/Uni-Fab ▲ Vergokan
Northwest Polymers ▲ Cascade Poly Pipe + Conduit ▲ Razor Ribbon ▲ Queen City Plastics ▲ Cope