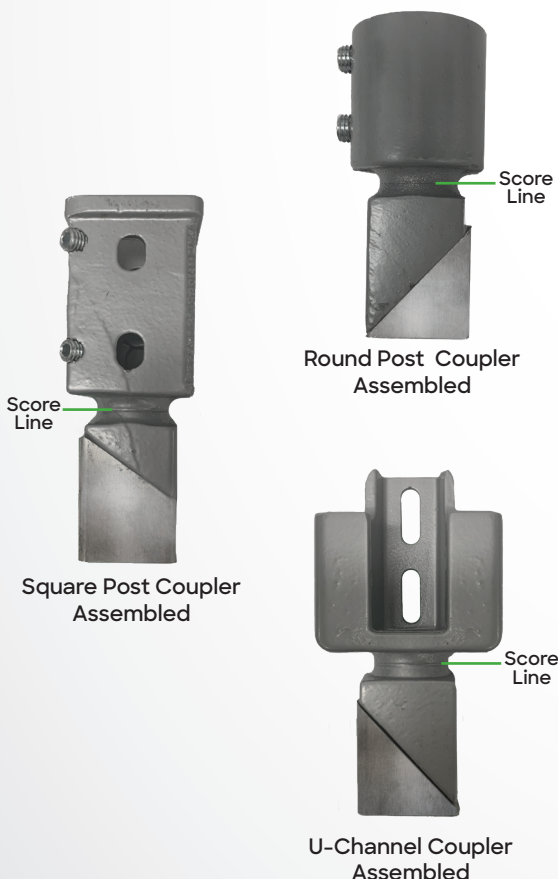


Break-Out™ Signpost Coupler

Telespar® is proud to introduce the Break-Out™ signpost coupler, designed to allow signposts to breakaway after impact, protecting passengers from potentially dangerous situations. The Break-Out coupler breaks away at grade, eliminating the risk of tripping hazards for pedestrians.

Designed to be impacted from any direction, the Break-Out coupler is strong enough to ensure maximum wind loads of 120 mph and not fail as a result of fatigue.

The Break-Out signpost couplers are compatible with all sizes of Telespar signpost, including 1.75", 2", 2.25", and 2.5" square posts. Telespar now offers a comprehensive product line for all signpost installation needs.



Features and Benefits

- Designed to breakaway at the score line in the coupler top, does not rely on the hardware or fasteners to breakaway upon impact
- Ratchet and pliers are the only tools required for installation or replacement
- Couplers compatible with square post, round post, and u-channel. Ground and Surface mount options are also available

Part Number	Size (O.D.)	GA
Square Post Couplers		
193013	1¾"	12
193014	1¾"	14
193015	2"	12
193017	2"	14
193020	2¼"	12
193019	2½"	12
Round Post Couplers		
193010	2 ⅜"	10-12
193012	2 ⅜"	13-16
U-Channel Couplers		
193025	2lb	-
193026	3lb	-

Note:

All kits come with associated hardware

Additional part numbers for surface mount applications and replacement parts are available on our website



For more info visit atkore.com/atcm

