



South Central Regional Service Center

Electrical Products Stocking Catalog



Building Better Together... locally!

You don't need multiple manufacturers. You need a better one.

Nationwide footprint. Localized service.

With a unique portfolio of electrical solutions, Atkore is committed to growing your business, reducing your lead times, lowering your transactional costs and maximizing your sales potential. Whether your project involves a hospital, manufacturing plant, data center, campus or high rise - Atkore has the products locally in stock that meet your unique needs.

That's why Atkore Regional Service Centers are a one-stop shop. Experience one order, one delivery and one invoice for a faster and simpler process. Tell us what you need, and we'll bundle a complete portfolio of products tailored to your exact specifications.

Co-Load Supply Capabilities

- Achieve freight minimum with maximum efficiency
- Combine multiple product lines into one order

Will Call Services

- Get same-day orders in as little as two hours and track them in the Will Call App

Breadth of Products

- Each center offers thousands of electrical products in stock

South Central Regional Service Center Electrical Products Stocking Catalog

Atkore's South Central Regional Service Center Electrical Products Stocking Catalog contains over 2000 items in stock spanning from cable systems, metal framing, cable tray systems, conduit, elbows, sweeps and fittings - all ready for delivery to your local destination.

This interactive catalog presents 37 (and growing) different product categories, with access to product specification tables, part number ordering information, product features, certifications and compliances, and deeper links to brand specific technical product information if needed.

Contact us at
rscustomerservice@atkore.com

**One Order.
One Delivery.
One Invoice.**



Table of Contents

↓ Click below to view product section

Introduction	2
Cable Systems	5
Armored Cables (Type AC)	
Armored Fire Alarm/Control Cable	
Metal Clad Cables (Type MC)	
Type MC Cables – Aluminum Metal Clad Cables	
Type MC Cables – Specialty Cables	
Type MC Cables – Steel Metal Clad Cables	
Type MCI-A Cables – Armor + Bond = Equipment Ground Path	
Type MC-PCS Cables – Power + Control/Signal Cable (Luminary)	
Cable Tray Systems	58
Introduction	
Wire Basket	
Aickinstrut Fiberglass Framing System	
Conduit	80
Aluminum Rigid Conduit (ARC)	
EMT Conduit	
Flexible Metal Conduit (FMC)	
Galvanized Rigid Steel Conduit (GRC)	
Intermediate Metal Conduit (IMC)	
LiquidTight Flexible Metal Conduit	
LiquidTight Flexible Non-Metallic Conduit	
PVC Conduit	
PVC Coated Conduit	
Elbows & Sweeps	123
Aluminum Rigid Conduit (ARC) Elbows	
EMT Elbows & Sweeps	
Fiberglass Elbows & Sweeps	
Galvanized Rigid Conduit (GRC) Elbows & Sweeps	
PVC Elbows & Sweeps	
PVC Coated Elbows	
Fittings	157
Aluminum Rigid Conduit (ARC) Fittings	
Die Cast Fittings	
EMT Fittings	
Flex AC & MC Fittings	

Table of Contents (continued)

↓ Click below to view product section

Fittings

157

- Form 5 Aluminum Conduit Bodies
- Galvanized Rigid Conduit (GRC) Fittings
- LiquidTight Fittings
- Miscellaneous Fittings
- PVC Fittings
- PVC Coated Fittings
- Rigid Fittings

Strut Systems

260

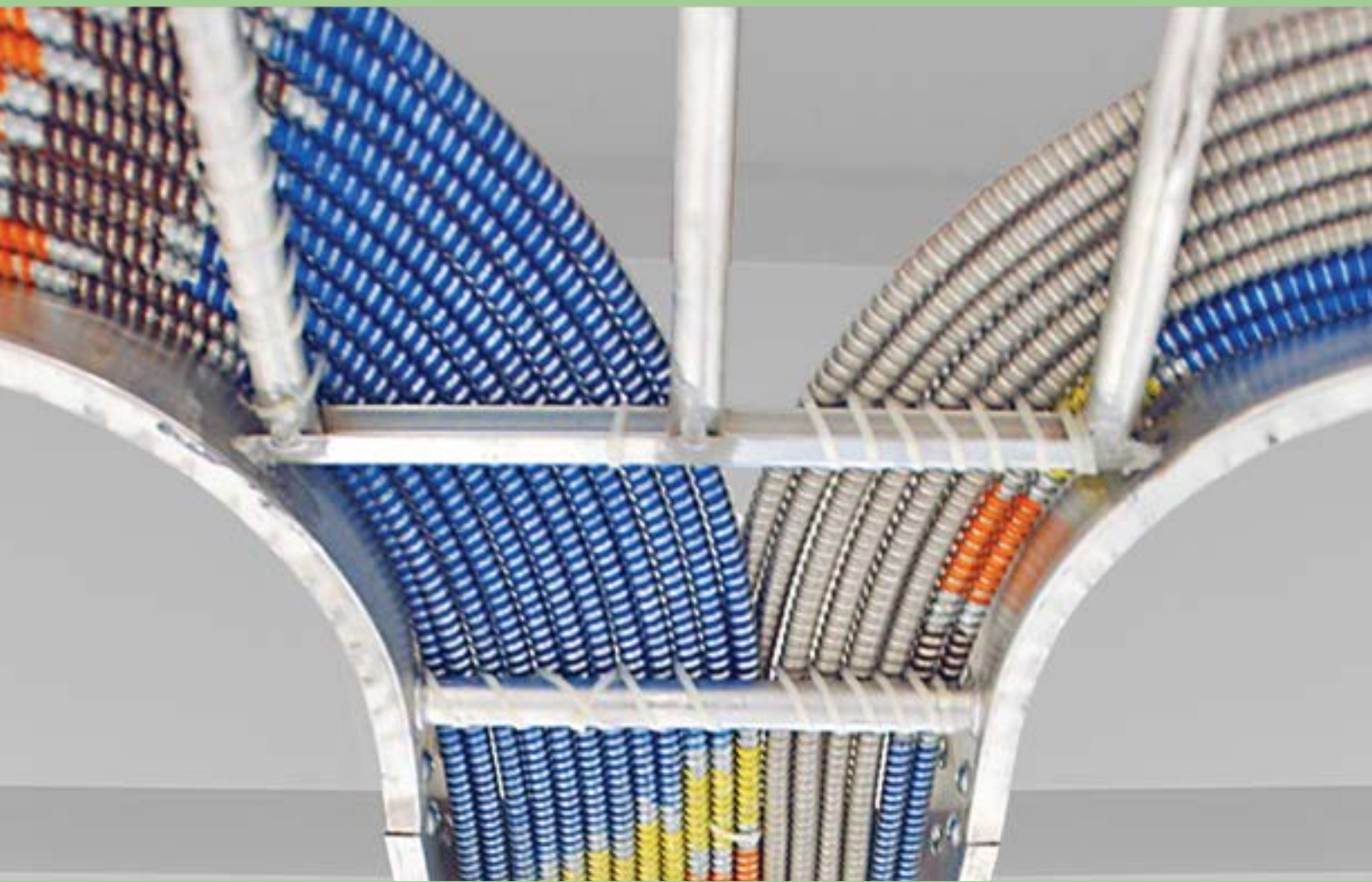
- Product Introduction
- Channel
- Fittings

Index

375



CABLE SYSTEMS



AFC Cable Systems
Kaf-Tech

Cable Systems - Table of Contents

↓ [Click below to view product section](#)

Armored Cables (Type AC)

Armored Fire Alarm/Control Cable

Metal Clad Cables (Type MC)

 Type MC Cables - Aluminum Metal Clad Cables

 Type MC Cables - Specialty Cables

 Type MC Cables - Steel Metal Clad Cables

 Type MCI-A Cables - Armor + Bond = Equipment Grounding Path

 Type MC-PCS Cables - Power + Control/Signal Cable (Luminary)



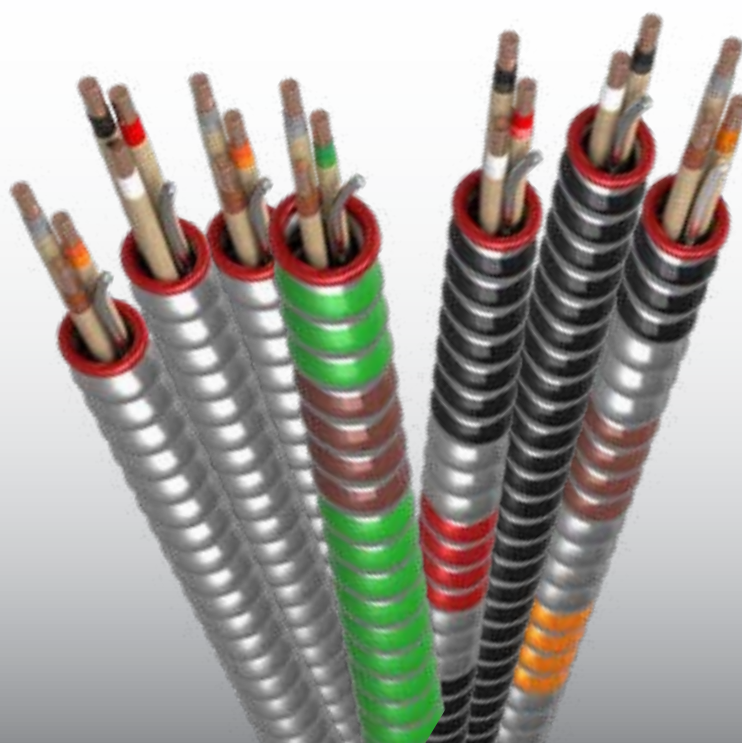
ARMORED CABLES (TYPE AC)

AFC Cable Systems
Kaf-Tech

Table of Contents

↓ [Click below to view product section](#)

[HCF-90®](#)
[HCF-Lite®](#)

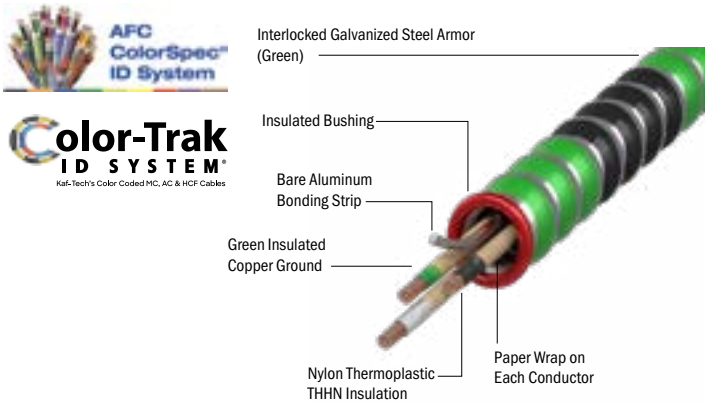


Armored Cables (Type AC)

Click brand for more product info ↓

HCF-90® Type AC Steel Healthcare Facilities Cable (120/208V Colors & 277/480V Colors) Technical Specifications

[AFC Cable Systems](#)
[Kaf-Tech](#)



Features & Benefits

- Interlocked galvanized steel strip
- Easy to identify green armor
- Full size green insulated copper grounding conductor plus armor/bond wire combination provides redundant ground or isolated grounding capability

References & Ratings

- UL 4, 83, 1479, 1581, 2556, File Reference E7330
- NEC® 250.118(8), 300.22(C), 320, 392, 517.13, 518, 645
- NEC® 300.22(C) Environmental Air Handling Spaces (Plenum)
- UL Classified 1, 2, and 3 hour through (Fire) penetration product, R14141
- Cable Tray Rated, install per NEC®
- Federal Specification A-A-59544 (formerly J-C-30B)
- Meets all applicable OSHA and HUD Requirements
- Made in USA of US and/or imported materials

Armor & Jacket

- Interlocked Galvanized Steel Strip (Green)

Conductors

- Solid Copper

Conductor Insulation

- THHN

Conductor Insulation Covering

- Moisture Resistant Fire Retardant Paper Wrap

Maximum Temperature Rating

- 90°C (Dry) Type ACTHH

Grounding

- 16 AWG Integral Bond Wire/Armor Combination per 250.118(8) and Green Insulated Copper Grounding Conductor per 250.118(1)

Neutral Conductor

- White 120/ 208V
- Gray 277/ 480V

Maximum Voltage Rating

- 600V

For bond wire termination details, click on these links for [MC & AC Cables Installation](#) and [Installation Instructions](#).

Armored Cables (Type AC)

Click brand for more product info ↓

HCF-90® Type AC Steel Healthcare Facilities Cable (120/208V Colors & 277/480V Colors) Technical Specifications

[AFC Cable Systems](#)
[Kaf-Tech](#)

Part Number		Trade Size	Grounding Conductor AWG	Approx. Weight/ 1,000 ft	Approx. Armor O.D. (in)
250' Coil	1000' Reel				
120/208V Solid					
1504G42-00	—	12-2 Solid (Black, White)	12 Solid (Green)	235	0.545
1505G42-00	—	12-3 Solid (Black, Red, White)	12 Solid (Green)	279	0.582

NOTE: All dimensions and weights are subject to normal manufacturing tolerances.

Not to be used with set screw type fittings or on DC circuits.

* Special Order, Subject to lead time and minimum order quantities

¹"44" put-up code is 250' Reels.

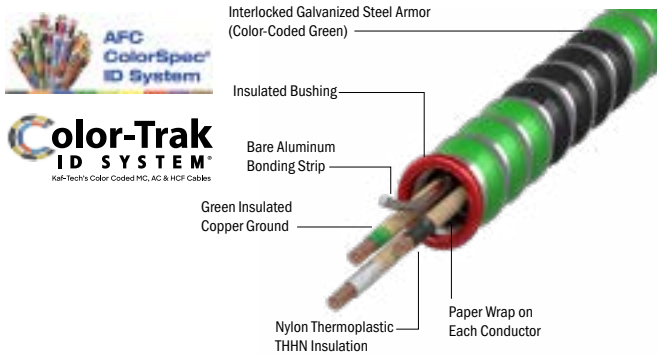
**Emergency circuits require special consideration in healthcare settings.
Review NEC® 517.30 (C)(3)(3) for guidance on the use of HCF cables on emergency circuits.**

Armored Cables (Type AC)

Click brand for more product info ↓

HCF-Lite® Aluminum Healthcare Facilities Cable Type AC (120/208V & 277/480V) Technical Specifications

[AFC Cable Systems](#)
[Kaf-Tech](#)



Features & Benefits

- Interlocked galvanized aluminum strip
- Easy to identify green armor
- Full size green insulated copper grounding conductor plus armor/bond wire combination provides redundant ground or isolated grounding capability

References & Ratings

- UL 4, 83, 1479, 1581, 2556, File Reference E7330
- NEC® 250.118(8), 300.22(C), 320, 392, 517.13, 518, 645
- NEC® 300.22(C) Environmental Air Handling Spaces (Plenum)
- UL Classified 1, 2, and 3 hour through (Fire) penetration product, R14141
- Cable Tray Rated, install per NEC®
- Federal Specification A-A-59544 (formerly J-C-30B)
- Meets all applicable OSHA and HUD Requirements
- Made in USA of US and/or imported materials
- Aluminum armored cables are RoHS compliant

Armor & Jacket

- Aluminum Interlocked (Green) with ColorSpec® ID / ColorTrak ID

Conductors

- Solid/Stranded Copper (See Below)

Conductor Insulation

- THHN

Conductor Insulation Covering

- Moisture Resistant Fire Retardant Paper Wrap

Maximum Temperature Rating

- 90°C (Dry) Type ACTHH

Grounding

- 16 AWG Integral Bond Wire/Armor Combination per 250.118(8) and Green Insulated Copper Grounding Conductor per 250.118(1)

Neutral Conductor

- White 120/208V
- Gray 277/480V

Maximum Voltage Rating

- 600V

For bond wire termination details, click on these links for [MC & AC Cables Installation](#) and [Installation Instructions](#).

Armored Cables (Type AC)

Click brand for more product info ↓

HCF-Lite® Aluminum Healthcare Facilities Cable Type AC (120/208V & 277/480V) Technical Specifications

[AFC Cable Systems](#)
[Kaf-Tech](#)

Part Number		Trade Size	Grounding Conductor AWG	Approx. Weight/ 1,000 ft	Approx. Armor O.D. (in)
250' Coil	1000' Reel				
120/208V					
2804G42-00	2804G60-00	12-2 Solid (Black, White)	12 Solid (Green)	132	0.545
2805G42-00	—	12-3 Solid (Black, Red, White)	12 Solid (Green)	171	0.581
120/208V Stranded					
2858G42-00	—	12-2 Stranded (Black, White)	12 Stranded (Green)	141	0.568
2859G42-00	—	12-3 Stranded (Black, Red, White)	12 Stranded (Green)	171	0.605
120/208V Specialty Colors					
2804G42-04	—	12-2 Solid (Red, White)	12 Solid (Green)	132	0.545
2804G42-05	—	12-2 Solid (Blue, White)	12 Solid (Green)	132	0.545
480V/277V					
2804G42-01	—	12-2 Solid (Brown, Gray)	12 Solid (Green)	132	0.545

NOTE: All dimensions and weights are subject to normal manufacturing tolerances.
Not to be used with set screw type fittings or on DC circuits.

* Special Order, Subject to lead time and minimum order quantities

**Emergency circuits require special consideration in healthcare settings.
Review NEC® 517.30 (C)(3)(3) for guidance on the use of HCF cables on emergency circuits.**



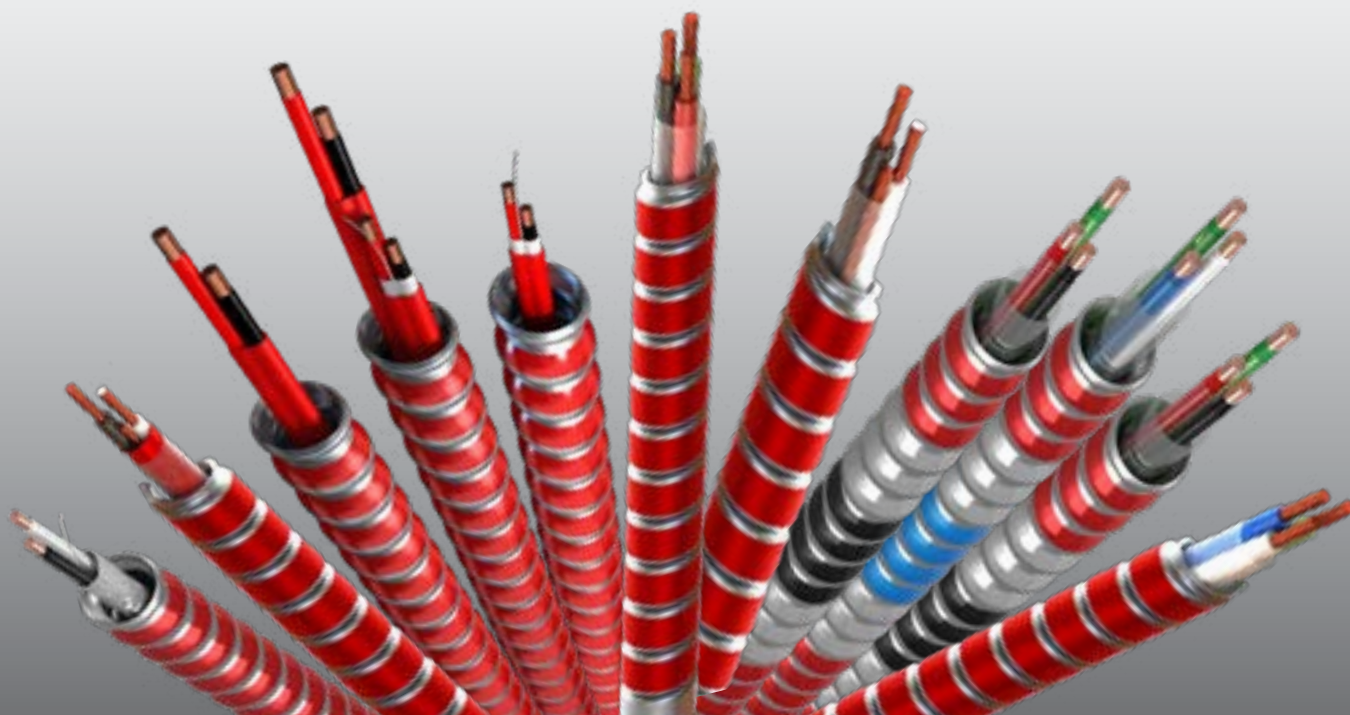
ARMORED FIRE ALARM/CONTROL CABLE

AFC Cable Systems
Kaf-Tech

Table of Contents

↓ [Click below to view product section](#)

[MC Glide Fire Alarm/Control Cable™ - Dual Rated Type MC/FPLP](#)

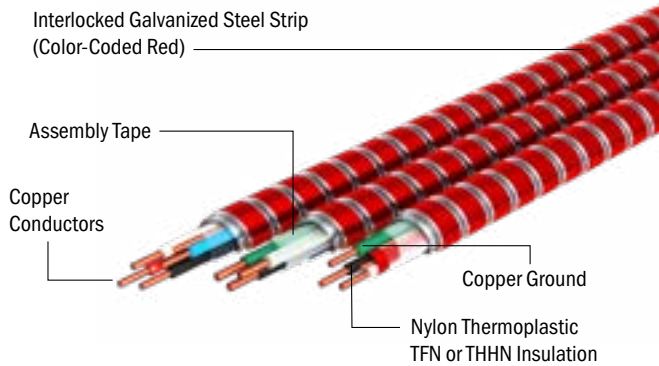


Armored Fire Alarm/Control Cable

Click brand for more product info ↓

[AFC Cable Systems](#)
[Kaf-Tech](#)

MC Glide Fire Alarm/Control Cable™ - Dual Rated Type MC/FPLP Plenum Rated Technical Specifications



Armor

- Interlocked Galvanized Steel Strip (Red)

Conductors

- Solid Copper

Conductor Insulation

- TFN 16 AWG and/or THHN 14 & 12 AWG

Assembly

- Polyester Assembly Tape; Twisted Shielded: Laminated Aluminum/Mylar® Shield with Tinned Copper Drain Wire

Maximum Temperature Rating

- FPLP: 105°C (Dry)
- MC: 90°C (Dry)

Grounding

- One or More Grounding Conductors May Be Bare or Insulated Green, See Chart Below

Neutral Conductor

- White (Where Applicable)

Maximum Voltage Rating

- 300V (FPLP)
- 600V (MC)

References & Ratings

- UL 66, 83, 1424, 1479, 1569, 1581, 2556, File Reference E80042 & E83514
- NEC® 300.22(C), 330, 392, 430.2, 501, 502, 503, 504, 505, 518, 530, 645, 725, 760.154(A)
- NEC® 300.22 (C) Other Spaces Used For Environmental Air (Plenums)
- NFPA 262 (formerly UL 910) Plenum Rated - Type FPLP
- UL classified 1, 2, and 3, hour through (Fire) penetration product R14141
- Cable tray rated, install per NEC®
- Federal Specification A-A-59544 (formerly J-C-30B)
- Meets all applicable OSHA and HUD requirements
- May be surface mounted, fished and /or embedded in plaster
- Made in USA of US and /or imported materials
- US Patent 11,101,056 & D935,731

Armored Fire Alarm/Control Cable

MC Glide Fire Alarm/Control Cable™ - Dual Rated Type MC/FPLP Plenum Rated Technical Specifications

Click brand for more product info ↓

[AFC Cable Systems](#)
[Kaf-Tech](#)

Part Number		Trade Size	Grounding Conductor AWG	Approx. Weight/	Approx.
250' Coil	1000' Reel			1,000 ft	Armor O.D.
				(lb)	(in)
Solid TFN					
—	SF10R60-00	16-2 (Black, White)	16-1 (Bare)	122	0.435
Solid THHN					
—	SF34R60-00	14-2 (Black, White)	14-1 (Green)	143	0.435

*Special Order, subject to lead times and minimum order quantities

¹ All drain wires are 18AWG tinned Copper in TSP construction



TYPE MC CABLES - ALUMINUM METAL CLAD CABLE

AFC Cable Systems
Kaf-Tech

Table of Contents

↓ [Click below to view product section](#)

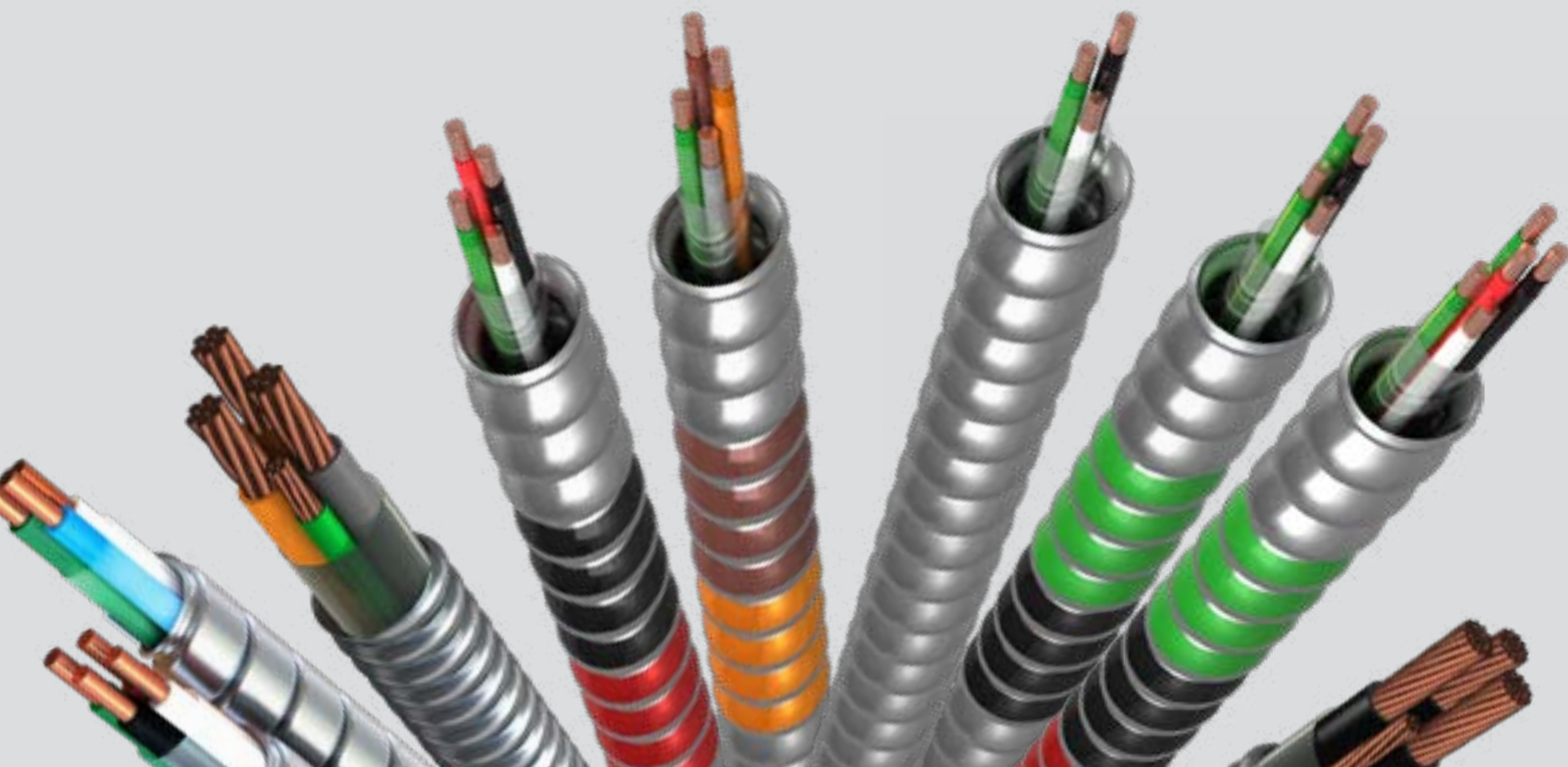
[MC Glide Lite™](#)

[MC Lite® Aluminum Armored Cable \(14 & 12 AWG\)](#)

[MC Lite® Metal Clad Aluminum Armored Cable \(10 AWG\)](#)

[MC Lite® 8-2 AWG through 1-4 AWG Aluminum Armored Cable](#)

[MC Lite® IG Aluminum Armored Cable](#)



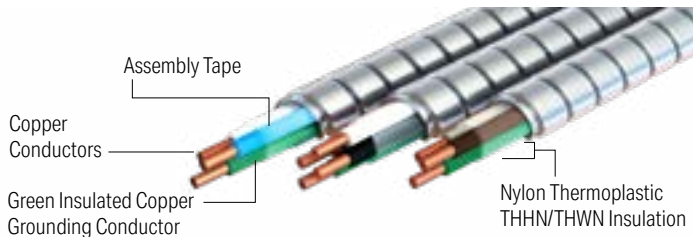
Type MC Cables - Aluminum Metal Clad Cable

[Click brand for more product info](#) ↓

[AFC Cable Systems](#)
[Kaf-Tech](#)

MC Glide Lite™

Type MC (120/208V Colors & 277/480V Colors) Technical Specifications



Armor

- Interlocked Aluminum Strip

Conductors

- Solid or Stranded Copper

Conductor Insulation

- THHN/THWN

Assembly Covering

- Polypropylene Tape

Maximum Temperature Rating

- 90°C (Dry)

Grounding

- Insulated Green Grounding Conductor

Neutral Conductor

- White 120/ 208V
- Gray 277/ 480V

Maximum Voltage Rating

- 600V

Features:

- Easier pulls. U.S. Patented armor profile is designed to reduce fatigue on your workers when pulling cable through metal studs and ceilings
- No need for new tools. Works with the same tools, fittings and supports as traditional MC Cables
- Time savings. From the first pull, installing MC Glide Lite™ will be smoother, faster and easier to work with
- Minimize damage to studs. Less resistance means less opportunity for cable hang ups, that may knock down studs

References & Ratings

- UL 83,1479,1569,1581, 2556, File Reference E80042
- NEC® 210.4(B), 230.43, 300.22(C), 330, 392, 396.10(A), 501, 502, 503, 504, 505, 520, 530, 645
- NEC® 300.22 (C) Other Spaces Used For Environmental Air (Plenums)
- UL classified 1, 2, and 3, hour through (Fire) penetration product R14141
- Cable tray rated, install per NEC®
- Federal Specification A-A-59544 (formerly J-C-30B)
- Meets all applicable OSHA and HUD requirements
- May be surface mounted, fished and /or embedded in plaster
- Made in USA of US and /or imported materials
- Aluminum armored cables are RoHS compliant
- U.S. Patent No. 11,101,056 & D935,731

Type MC Cables - Aluminum Metal Clad Cable

Click brand for more product info ↓

MC Glide Lite™

[AFC Cable Systems](#)
[Kaf-Tech](#)

Type MC (120/208V Colors & 277/480V Colors) Technical Specifications

Part Number		Trade Size	Grounding Conductor AWG	Approx. Weight/ 1000 ft (ft)	Approx. Armor O.D. (in)
250' Coil	1000' Reel				
Solid Conductor					
A004-42-00	A004-60-00	12-2 (Black, White)	12-1 (Green)	104	0.460
A004-42-01	A004-60-01	12-2 (Brown, Gray)	12-1 (Green)	104	0.460
A004-42-02	A004-60-02	12-2 (Orange, Gray)	12-1 (Green)	104	0.460
A004-42-03	A004-60-03	12-2 (Yellow, Gray)	12-1 (Green)	104	0.460
A004-42-04	A004-60-04	12-2 (Red, White)	12-1 (Green)	104	0.460
A004-42-05	A004-60-05	12-2 (Blue, White)	12-1 (Green)	104	0.460
A005-42-00	A005-60-00	12-3 (Black, Red, White)	12-1 (Green)	130	0.485
A005-42-01	A005-60-01	12-3 (Brown, Orange, Gray)	12-1 (Green)	130	0.485
A005-42-02	—	12-3 (Orange, Yellow, Gray)	12-1 (Green)	130	0.485
A005-42-03	—	12-3 (Brown, Yellow, Gray)	12-1 (Green)	130	0.485
A005-42-04	—	12-3 (Red, Blue, White)	12-1 (Green)	130	0.485
Stranded Conductor					
A058-42-00	A058-60-00	12-2 (Black, White)	12-1 (Green)	107	0.461
A058-42-01	—	12-2 (Brown, Gray)	12-1 (Green)	107	0.461
A059-42-00	A059-60-00	12-3 (Black, Red, White)	12-1 (Green)	135	0.486

Note: All dimensions and weights are subject to normal manufacturing tolerances. Other conductor colors available by special order.

* Non-stock items require lead time and minimum quantity order.

** Available only in 500' Reel

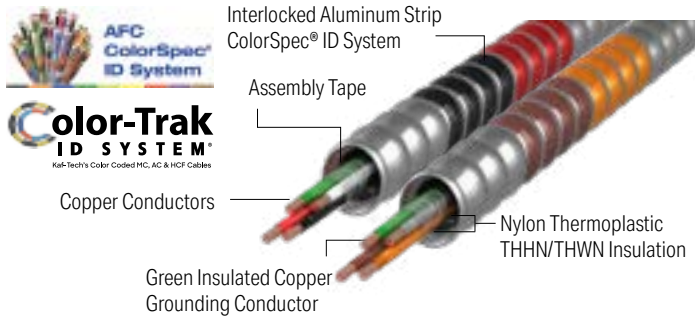
Type MC Cables - Aluminum Metal Clad Cable

Click brand for more | product info ↓

MC Lite® Aluminum Armored Cable

Type MC (120/208V Colors & 277/480V Colors) Technical Specifications

[AFC Cable Systems](#)
[Kaf-Tech](#)



Neutral Conductor

- White 120/ 208V
- Gray 277/ 480V

Maximum Voltage Rating

- 600V

References & Ratings

- UL 83,1479,1569,1581, 2556, File Reference E80042
- NEC® 210.4(B), 230.43, 300.22(C), 330, 392, 396.10(A), 501, 502, 503, 504, 505, 520, 530, 645
- NEC® 300.22 (C) Other Spaces Used For Environmental Air (Plenums)
- UL classified 1, 2, and 3, hour through (Fire) penetration product R14141
- Cable tray rated, install per NEC®
- Federal Specification A-A-59544 (formerly J-C-30B)
- Meets all applicable OSHA and HUD requirements
- May be surface mounted, fished and /or embedded in plaster
- Made in USA of US and /or imported materials
- Aluminum armored cables are RoHS compliant

Armor

- Interlocked Aluminum Strip with ColorSpec® ID & Color Trak ID

Conductors

- Solid or Stranded Copper

Conductor Insulation

- THHN/THWN

Assembly Covering

- Polypropylene Tape

Maximum Temperature Rating

- 90°C (Dry)

Grounding

- Insulated Green Grounding Conductor



Part Number		Trade Size	Grounding Conductor AWG	Approx. Weight/ 1,000ft	Approx. Armor O.D.
250' Coil	1000' Reel			(lb)	(in)
Solid 120/208V Colors					
2101S42-00	—	14-2 Solid (Black, White)	14 Solid (Green)	78	0.474
2102S42-00	—	14-3 Solid (Black, Red, White)	14 Solid (Green)	97	0.501
2106S42-00	2106S60-00	12-4 Solid (Black, Red, Blue, White)	12 Solid (Green)	162	0.586
Stranded Conductor					
2160S42-00	—	12-4 Stranded (Black, Red, Blue, White)	12 Stranded (Green)	170	0.613
Solid 277/408V					
—	2106S60-01	12-4 Solid (Brown, Orange, Yellow, Gray)	12 Solid (Green)	162	0.586
Stranded 277/408V					
2160S42-01	—	12-4 Stranded (Brown, Orange, Yellow, Gray)	12 Stranded (Green)	170	0.613

NOTE: All dimensions and weights are subject to normal manufacturing tolerances. Other conductor colors available by special order.

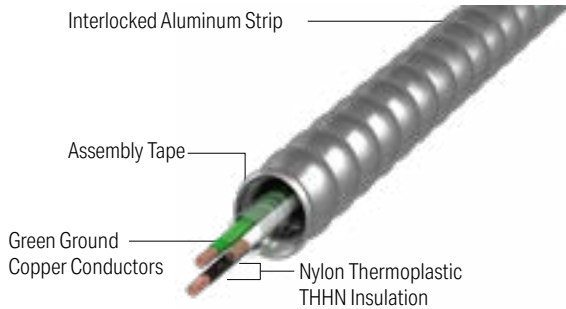
*Special Order, subject to lead times and minimum order quantities

Type MC Cables - Aluminum Metal Clad Cable

Click brand for more product info ↓

[AFC Cable Systems](#)
[Kaf-Tech](#)

MC Lite® Metal Clad Aluminum Armored Cable 10 AWG Type MC (120/208V Colors & 277/480V Colors) Technical Specifications



Neutral Conductor

- White 120/ 208V
- Gray 277/ 480V

Maximum Voltage Rating

- 600V

References & Ratings

- UL 83,1479,1569,1581, 2556, File Reference E80042
- NEC® 210.4(B), 230.43, 300.22(C), 330, 392, 396.10(A), 501, 502, 503, 504, 505, 520, 530, 645
- NEC® 300.22 (C) Other Spaces Used For Environmental Air (Plenums)
- UL classified 1, 2, and 3, hour through (Fire) penetration product R14141
- Cable tray rated, install per NEC®
- Federal Specification A-A-59544 (formerly J-C-30B)
- Meets all applicable OSHA and HUD requirements
- May be surface mounted, fished and /or embedded in plaster
- Made in USA of US and /or imported materials
- Aluminum armored cables are RoHS compliant

Armor

- Interlocked Aluminum Strip

Conductors

- Solid or Stranded Copper

Conductor Insulation

- THHN/THWN

Assembly Covering

- Polypropylene Tape

Maximum Temperature Rating

- 90°C (Dry)

Grounding

- Insulated Green Grounding Conductor



Part Number		Trade Size	Grounding Conductor AWG	Approx. Weight/ 1,000ft (lb)	Approx. Armor O.D. (in)
250' Coil	1000' Reel				
120/208V Solid					
2107-42-00	2107-60-00	10-2 Solid (Black, White)	10 Solid (Green)	155	0.581
2108-42-00	2108-60-00	10-3 Solid (Black, Red, White)	10 Solid (Green)	198	0.622
2109-42-00	2109-60-00	10-4 Solid (Black, Red, Blue, White)	10 Solid (Green)	241	0.667
120/208V Stranded					
2161-42-00	2161-60-00	10-2 Stranded (Black, White)	10 Stranded (Green)	161	0.614
2162-42-00	—	10-3 Stranded (Black, Red, White)	10 Stranded (Green)	210	0.655
2163-42-00	—	10-4 Stranded (Black, Red, Blue, White)	10 Stranded (Green)	255	0.704

Table continued on next page

Type MC Cables - Aluminum Metal Clad Cable

Click brand for more product info ↓

MC Lite® Metal Clad Aluminum Armored Cable 10 AWG Type MC (120/208V Colors & 277/480V Colors) Technical Specifications

[AFC Cable Systems](#)
[Kaf-Tech](#)

Part Number		Trade Size	Grounding Conductor AWG	Approx. Weight/ 1,000ft	Approx. Armor O.D.
250' Coil	1000' Reel			(lb)	(in)
277/480V Solid					
2107-42-01	2107-60-01	10-2 Solid (Brown, Gray)	10 Solid (Green)	155	0.581
—	2107-60-03	10-2 Solid (Yellow, Gray)	10 Solid (Green)	155	0.581
2108-42-01	—	10-3 Solid (Brown, Orange, Gray)	10 Solid (Green)	198	0.622
2109-42-01	2109-60-01	10-4 Solid (Brown, Orange, Yellow, Gray)	10 Solid (Green)	241	0.667

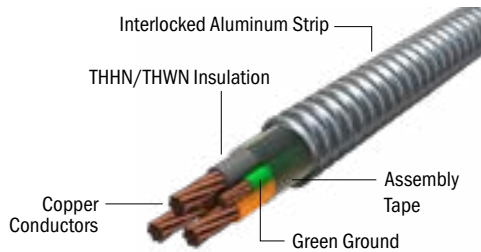
*Special Order, subject to lead times and minimum order quantities

Type MC Cables - Aluminum Metal Clad Cable

Click brand for more product info ↓

[AFC Cable Systems](#)
[Kaf-Tech](#)

MC Lite® 8-2 AWG through 1-4 AWG Aluminum Armored Cable Technical Specification



Armor

- Interlocked Aluminum Strip

Conductors

- Stranded Copper

Conductor Insulation

- THHN/THWN

Assembly Covering

- Polypropylene Tape

Maximum Temperature Rating

- 90°C (Dry)

Grounding

- One Insulated Green Copper Grounding Conductor (Grounds May Be Solid in Certain Sizes)

Neutral Conductor

- White 120/ 208V
- Gray 277/ 480V

Maximum Voltage Rating

- 600V

References & Ratings

- UL 83,1479,1569,1581, 2556, File Reference E80042
- NEC® 210.4(B), 230.43, 300.22(C), 330, 392, 396.10(A), 501, 502, 503, 504, 505, 520, 530, 645
- NEC® 300.22 (C) Other Spaces Used For Environmental Air (Plenums)
- UL classified 1, 2, and 3, hour through (Fire) penetration product R14141
- Cable tray rated, install per NEC®
- Federal Specification A-A-59544 (formerly J-C-30B)
- Meets all applicable OSHA and HUD requirements
- May be surface mounted, fished and /or embedded in plaster
- Made in USA of US and /or imported materials
- Aluminum armored cables are RoHS compliant

Type MC Cables - Aluminum Metal Clad Cable

MC Lite® 8-2 AWG through 1-4 AWG Aluminum Armored Cable Technical Specification

Click brand for more product info ↓

[AFC Cable Systems](#)
[Kaf-Tech](#)

Part Number		Trade Size	Ground Conductor AWG	Length C = Coil, R = Reel		Approx. Weight/ 1,000ft	Approx. Armor O.D.
				(ft)	(lb)	(in)	
2115-40-00	2115-45-00	8-2 Stranded (Black, White)	10 Solid (Green)	200 C	500 R	217	0.677
2115-40-01	—	8-2 Stranded (Brown, Gray)	10 Solid (Green)	200 C	500 R	217	0.677
2115-60-00	—	8-2 Stranded (Black, White)	10 Solid (Green)	1,000 R	—	217	0.677
2116-40-00	2116-45-00	8-3 Stranded (Black, Red, White)	10 Solid (Green)	200 C	500 R	296	0.813
2116-60-00	—	8-3 Stranded (Black, Red, White)	10 Solid (Green)	1,000 R	—	296	0.813
2117-32-00	—	8-4 Stranded (Black, Red, Blue, White)	10 Solid (Green)	125 C	500 R	363	0.848
2119-32-00	2119-45-00	6-2 Stranded (Black, White)	8 Stranded (Green)	125 C	500 R	320	0.816
2119-60-00*	—	6-2 Stranded (Black, White)	8 Stranded (Green)	1,000 R	—	320	0.816
2120-32-00	—	6-3 Stranded (Black, Red, White)	8 Stranded (Green)	125 C	—	429	0.945
2120-45-00	2120-60-00	6-3 Stranded (Black, Red, White)	8 Stranded (Green)	500 R	1,000 R	429	0.945
—	2124-45-00	4-3 Stranded (Black, Red, White)	8 Stranded (Green)	100 C	500 R	617	1.057
2124-60-00	—	4-3 Stranded (Black, Red, White)	8 Stranded (Green)	1,000 R	2,500 R	617	1.057

Note: Overall PVC jacket is available by special order on all items.

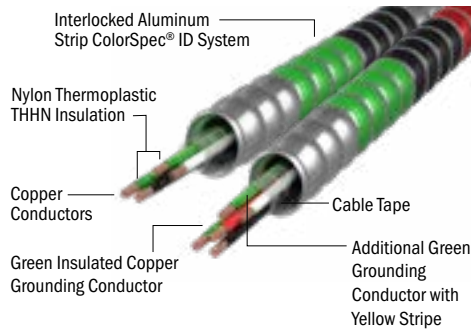
*Special Order, subject to lead times and minimum order quantities

Type MC Cables - Aluminum Metal Clad Cable

Click brand for more product info ↓

[AFC Cable Systems](#)
[Kaf-Tech](#)

MC Lite® IG Aluminum Armored Cable Type MC Technical Specifications



Armor

- Interlocked Aluminum Strip with ColorSpec® ID & Color Trak ID

Conductors

- Solid or Stranded Copper

Conductor Insulation

- THHN/THWN

Assembly Covering

- Polypropylene Tape

Maximum Temperature Rating

- 90°C (Dry)

Grounding

- 2 Solid or Stranded Grounding Conductors, Green, Green with Yellow stripe

Neutral Conductor

- White 120/ 208V

Maximum Voltage Rating

- 600V

References & Ratings

- UL 83,1479,1569,1581, 2556, File Reference E80042
- NEC® 210.4(B), 230.43, 300.22(C), 330, 392, 396.10(A), 501, 502, 503, 504, 505, 520, 530, 645
- NEC® 300.22 (C) Other Spaces Used For Environmental Air (Plenums)
- UL classified 1, 2, and 3, hour through (Fire) penetration product R14141
- Cable tray rated, install per NEC®
- Federal Specification A-A-59544 (formerly J-C-30B)
- Meets all applicable OSHA and HUD requirements
- May be surface mounted, fished and /or embedded in plaster
- Made in USA of US and /or imported materials
- Aluminum armored cables are RoHS compliant

Part Number		Trade Size	Grounding Conductor AWG	Approx. Weight/	Approx. Armor
250' Coil	1000' Reel			1,000ft	O.D.
				(lb)	(in)
120/208V Solid Conductors					
2105S42-80	2105S60-80	12-2 Solid (Black, White)	12 Solid (Green, Green/Yellow)	135	0.549

NOTE: All dimensions and weights are subject to normal manufacturing tolerances 10AWG No ColorSpec® ID.

*Special Order, subject to lead times and minimum order quantities



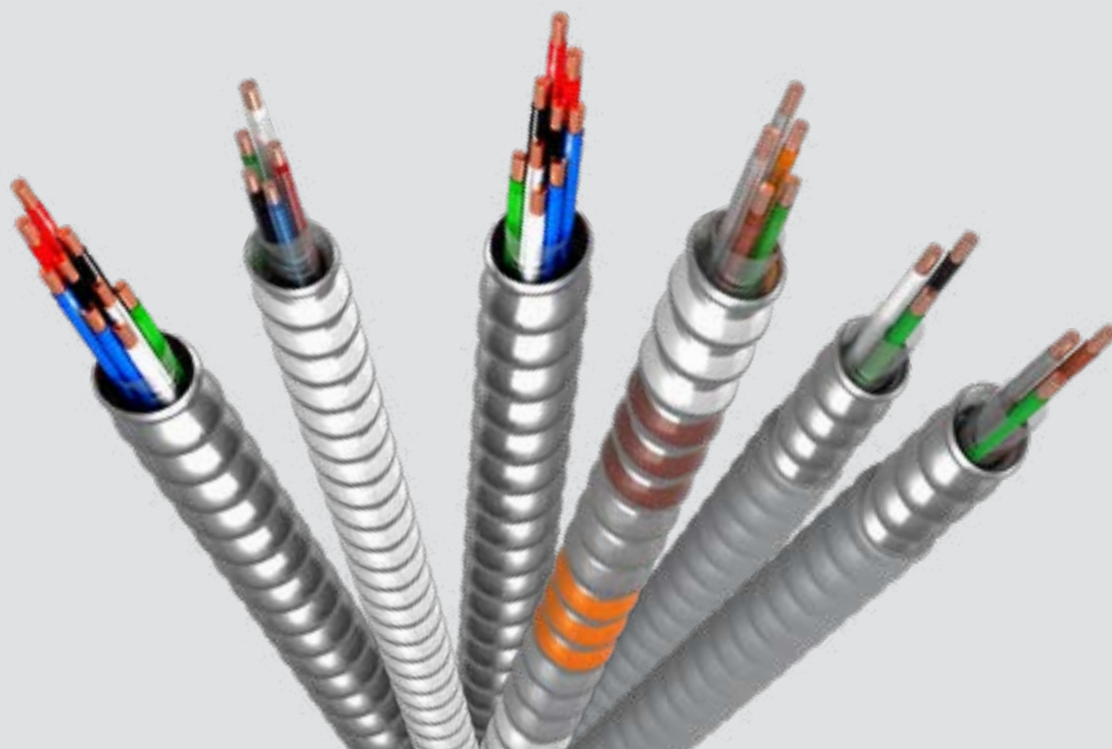
TYPE MC CABLES - SPECIALTY CABLES

AFC Cable Systems
Kaf-Tech

Table of Contents

↓ [Click below to view product section](#)

[Home Run Cable®](#)
[MC-Plus® Neutral Per Phase Cable](#)
[MC-Plus Lite Neutral Per Phase Cable](#)
[Parking Deck/Lot Cable™](#)
[Super Neutral Cable®](#)

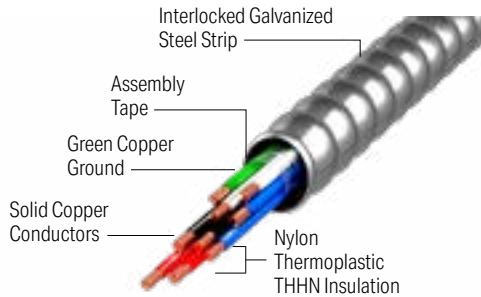


Type MC Cables - Specialty Cable

[Click brand for more product info](#) ↓

[AFC Cable Systems](#)
[Kaf-Tech](#)

Home Run Cable® Type MC Technical Specifications



Armor

- Interlocked Galvanized Steel Strip**

Conductors

- Solid Copper***

Conductor Insulation

- THHN/THWN

Assembly Covering

- Polypropylene Tape

Maximum Temperature Rating

- 90°C (Dry)

Grounding

- Insulated Green Grounding Conductor (Additional Grounding Conductors Optional*)

Maximum Voltage Rating

- 600V

References & Ratings

- UL 83, 1479, 1569, 1581, 2556, File Reference E80042
- NEC® 210.4(B), 230.43, 300.22(C), 330, 392, 396.10(A), 501, 502, 503, 504, 505, 520, 530, 645
- NEC® 300.22 (C) Other Spaces Used For Environmental Air (Plenums)
- UL classified 1, 2, and 3, hour through (Fire) penetration product R14141
- Cable tray rated, install per NEC®
- Federal Specification A-A-59544 (formerly J-C-30B)
- Meets all applicable OSHA and HUD requirements
- May be surface mounted, fished and /or embedded in plaster
- Made in USA of US and /or imported materials
- Conductors must be derated per NEC® Table 310.15(B)(3)(a)

Type MC Cables - Specialty Cable

Click brand for more product info ↓

Home Run Cable® Type MC Technical Specifications

[AFC Cable Systems](#)
[Kaf-Tech](#)

Part Number Reel	Trade Size	Grounding Conductor AWG	Length Reel	Approx. Weight/ 1,000ft	Approx. Armor O.D.
			(ft)	(lb)	(in)
120/208V Solid					
1901-60-00	12-6 Solid	12 Solid (Green)	1000	292	0.623
1902-60-00	12-8 Solid	12 Solid (Green)	1000	386	0.698
1905-60-00	10-8 Solid	10 Solid (Green)	1000	565	0.856

NOTE: All dimensions and weights are subject to normal manufacturing tolerances

* Special order, subject to lead times and minimum order quantities.

**Aluminum available by special order and subject to lead times and minimum order quantities.

***Stranded Conductors available by special order and subject to lead times and minimum order quantities

†† Cut to order.

STOCKING SIZES & COLOR CODES

Conductors	120/208V Colors
6	Black, Black/Silver, Red, Red/Silver, White, White/Silver
8	Black, Black/Silver, Red, Red/Silver, Blue, Blue/Silver, White, White/Silver
12	3 Black, 3 Red, 3 Blue, 3 White; each color numbered 1-3
16	4 Black, 4 Red, 4 Blue, 4 White; each color numbered 1-4

Metal Clad Cable Derating Example

90°C RATED ARMORED CABLE 12 AWG WITH 4 COPPER CONDUCTORS.

- 1) Find conductor ampacity in NEC® Table 310.16 12AWG, 90°C = 30 amperes
- 2) Find adjustment factor in NEC® Article 310.15(C)(1)
 $30 \times .80 = 24$ amperes

NEC® is a registered trademark of the National Fire Protection Association
Conductors may need to be derated per NEC® Table 310.15(C)(1)

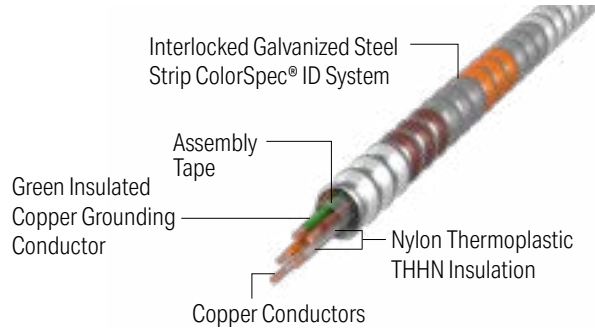
Type MC Cables - Specialty Cable

Click brand for more product info ↓

MC-Plus® Neutral Per Phase Cable

Type MC Steel (120/208V & 277/480V) Technical Specifications

[AFC Cable Systems](#)
[Kaf-Tech](#)



Neutral Conductor - Identified to Corresponding Phase Conductor

- White 120/ 208V
- Gray 277/ 480V

Maximum Voltage Rating

- 600V

References & Ratings

- UL 83, 1479, 1569, 1581, 2556, File Reference E80042
- NEC® 210.4(B), 230.43, 300.22(C), 330, 392, 396.10(A), 501, 502, 503, 504, 505, 520, 530, 645
- NEC® 300.22 (C) Other Spaces Used For Environmental Air (Plenums)
- UL classified 1, 2, and 3, hour through (Fire) penetration product R14141
- Cable tray rated, install per NEC®
- Federal Specification A-A-59544 (formerly J-C-30B)
- Meets all applicable OSHA and HUD requirements
- May be surface mounted, fished and /or embedded in plaster
- Made in USA of US and /or imported materials

Armor

- Interlocked Galvanized Steel Strip Color-Coded White Armor with ColorSpec® ID & Color Trak ID

Conductors

- Solid or Stranded Copper

Conductor Insulation

- THHN/THWN

Assembly Covering

- Polypropylene Tape

Maximum Temperature Rating

- 90°C (Dry)

Grounding

- Insulated Green Copper Grounding Conductor

Part Number		Phase Conductor AWG	Neutral Conductor AWG	Grounding Conductor AWG	Approx. Weight/	Approx. Armor
250' Coil	1000' Reel				1,000ft	O.D.
					(lb)	(in)
Steel Solid						
3904-42-00	3904-60-00	12-2 (Black, Red)	12-2 (2) White	12-1 (Green)	233	0.586
3905-42-00	3905-60-00	12-3 (Black, Red, Blue)	12-3 (3) White	12-1 (Green)	292	0.623
—	3905-60-01	12-3 (Brown, Orange, Yellow)	12-3 (3) Gray	12-1 (Green)	292	0.623
3907-42-00	3907-60-00	10-2 (Black, Red)	10-2 (2) White	10-1 (Green)	326	0.667
3908-42-00	3908-60-00	10-3 (Black, Red, Blue)	10-3 (3) White	10-1 (Green)	415	0.713

NOTE: All dimensions and weights are subject to normal manufacturing tolerances.

* Special order, subject to lead times and minimums

** "44" Put-up code is for 250' Reels only.

Type MC Cables - Specialty Cable

[Click brand for more product info](#) ↓

MC-Plus® Neutral Per Phase Cable Type MC Steel (120/208V & 277/480V) Technical Specifications

[AFC Cable Systems](#)
[Kaf-Tech](#)

Two Wire	Phase Colors	Neutrals
-00	Black, Red	White w/Red Stripe, White w/Black Stripe
-01	Brown, Orange	Gray w/Brown Stripe, Gray w/Orange Stripe
-02	Orange, Yellow	Gray w/Orange Stripe, Gray w/Yellow Stripe
-03	Brown, Yellow	Gray w/Brown Stripe, Gray w/Yellow Stripe
-04	Red, Blue	White w/Red Stripe, White w/Blue Stripe
-05	Black, Blue	White w/Black Stripe, White w/Blue Stripe
Three Wire	Phase Colors	Neutrals
00	Black, Red, Blue	White w/Black Stripe, White w/Red Stripe, White w/Blue Stripe
-01	Brown, Orange, Yellow	Gray w/Brown Stripe, White w/Orange Stripe, White w/Yellow Stripe
Four Wire	Phase Colors	Neutrals
-00	2 Blacks, 2 Red	White w/Black Stripe and Printed 1, White w/Black Stripe and Printed 2, White w/Red Stripe and Printed 1, White w/Red Stripe and Printed 2
Six Wire	Phase Colors	Neutrals
-00	2 Blacks, 2 Blues, 2 Reds	White w/Black Stripe and Printed 1, White w/Black Stripe and Printed 2, White w/Blue Stripe and Printed 1, White w/Blue Stripe and Printed 2, White w/Red Stripe and Printed 1, White w/Red Stripe and Printed 2

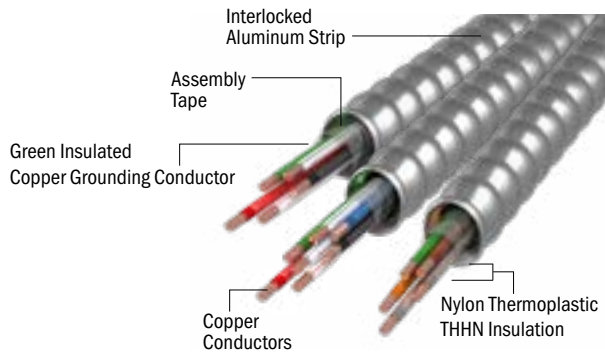
Type MC Cables - Specialty Cable

[Click brand for more product info](#) ↓

MC-Plus Lite Neutral Per Phase Cable

Type MC Aluminum (120/208V & 277/480V) Technical Specifications

[AFC Cable Systems](#)
[Kaf-Tech](#)



Armor

- Interlocked Aluminum Strip

Conductors

- Solid or Stranded Copper

Conductor Insulation

- THHN/THWN

Assembly Covering

- Polypropylene Tape

Maximum Temperature Rating

- 90°C (Dry)

Grounding

- Insulated Green Copper Grounding Conductor

Neutral Conductor - Identified to Corresponding Phase Conductor

- White 120/ 208V
- Gray 277/ 480V

Maximum Voltage Rating

- 600V

References & Ratings

- UL 83, 1479, 1569, 1581, 2556, File Reference E80042
- NEC® 210.4(B), 230.43, 300.22(C), 330, 392, 396.10(A), 501, 502, 503, 504, 505, 520, 530, 645
- NEC® 300.22 (C) Other Spaces Used For Environmental Air (Plenums)
- UL classified 1, 2, and 3, hour through (Fire) penetration product R14141
- Cable tray rated, install per NEC®
- Federal Specification A-A-59544 (formerly J-C-30B)
- Meets all applicable OSHA and HUD requirements
- May be surface mounted, fished and /or embedded in plaster
- Made in USA of US and /or imported materials

Part Number		Phase Conductor AWG	Neutral Conductor AWG	Grounding Conductor AWG	Approx. Weight/ 1,000ft (lb)	Approx. Armor O.D. (in)
250' Coil	1000' Reel					
MC Plus Lite Solid Conductor						
3604-42-700	3604-60-700	12-2 (Black, Red)	12-2 (2) White	12-1 (Green)	162	0.586
3605-42-700	3605-60-700	12-3 (Black, Red, Blue)	12-3 (3) White	12-1 (Green)	214	0.623
3608-42-700	3608-60-700	10-3 (Black, Red, Blue)	10-3 (3) White	10-1 (Green)	323	0.713
—	3614-60-700	10-6 (Black 1, Red 1, Blue 1, Black 2, Red 2, Blue 2)	10-6 (6) White	10-1 (Green)	598	0.979
MC Plus Lite Stranded Conductor						
3658-42-700	—	12-2 (Black, Red)	12-2 (2) White	12-1 (Green)	169	0.613
3659-42-700	3659-60-700	12-3 (Black, Red, Blue)	12-3 (3) White	12-1 (Green)	241	0.650

NOTE: All dimensions and weights are subject to normal manufacturing tolerances.

*Special Order, subject to lead times and minimum order quantities

**"44" Put-up code is for 250' Reels only.

Type MC Cables - Specialty Cable

[Click brand for more product info](#) ↓

MC-Plus Lite Neutral Per Phase Cable Type MC Aluminum (120/208V & 277/480V) Technical Specifications

[AFC Cable Systems](#)
[Kaf-Tech](#)

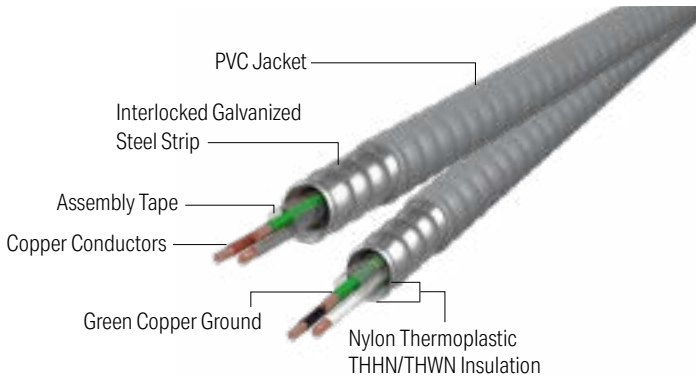
Two Wire	Phase Colors	Neutrals
-700	Black, Red	White w/Black Stripe, White w/Red Stripe
-701	Brown, Orange	Gray w/ Brown Stripe, Gray w/Orange Stripe
-702	Orange, Yellow	Gray w/Orange Stripe, Gray with Yellow Stripe
-703	Brown, Yellow	Gray w/Brown Stripe, Gray w/Yellow Stripe
-704	Red, Blue	White w/Red Stripe, White w/Blue Stripe
-705	Black, Blue	White w/Black Stripe, White w/Blue Stripe
Three Wire	Phase Colors	Neutrals
-700	Black, Red, Blue	White w/Black Stripe, White w/Red Stripe, White w/Blue Stripe
-701	Brown, Orange, Yellow	Gray w/Brown Stripe, Gray with Orange Stripe, Gray w/Yellow Stripe
Four Wire	Phase Colors	Neutrals
-714	Black, Red, Blue, Pink	White w/Black, White w/Red Stripe, White w/Blue Stripe, White w/Pink Stripe
Six Wire	Phase Colors	Neutrals
-700	2 Blacks, 2 Reds, 2 Blues	White w/ Black Stripe and Printed 1, White w/ Red Stripe and Printed 1, White w/ Blue Stripe and Printed 1, White w/ Black Stripe and Printed 2, White w/ Red Stripe and Printed 2, White w/ Blue Stripe and Printed 2

Type MC Cables - Specialty Cable

[Click brand for more product info](#) ↓

[AFC Cable Systems](#)
[Kaf-Tech](#)

Parking Deck/Lot Cable™ Type MC Jacketed Parking Deck/Lot Cable



Armor & Jacket

- Interlocked Galvanized Steel Strip with Gray PVC Jacket

Conductors

- Solid or Stranded Copper

Conductor Insulation

- THHN/THWN

Assembly Covering

- Polypropylene Tape

Maximum Temperature Rating

- 90°C (Dry); 75°C (Wet)

Grounding

- Insulated Green Copper Grounding Conductor

Neutral Conductor

- White 120/ 208V
- Gray 277/ 480V

Maximum Voltage Rating

- 600V

References & Ratings

- UL 66,83,1479,1569,1581, 2556, File Reference E80042
- NEC® 230.43, 300.5, 330, 392, 396.10(A), 501, 502, 503, 504, 505, 511.7, 513.7(A), 514.7, 515.7(A), 516.7(A), 530, 680.21(A)
- Hazardous locations up to Class I & II, Div. 2 and Class III, Div. 1 & 2 (NEC® Articles 501, 502, 503, 530)
- UL Listed for direct burial including concrete encasement and wet locations
- UL Listed for - 40 C low temperature
- UL Listed Sunlight Resistant
- UL Listed Oil Resistant II
- Wet Locations per NEC® 330.10(11)(C)
- Federal Specification A-A-59544 (formerly J-C-30B)
- Cable tray rated, install per NEC®
- Made in USA of US and /or imported materials

Type MC Cables - Specialty Cable

Click brand for more product info ↓

Parking Deck/Lot Cable™ Type MC Jacketed Parking Deck/Lot Cable

[AFC Cable Systems](#)
[Kaf-Tech](#)

Part Number		Trade Size	Grounding Conductor AWG	Length		Approx. Weight/ 1,000 ft (lb)	Approx. Armor O.D. (in)	Approx. Over Jacket O.D. (in)
Coil	Reel			Coil (ft)	Reel (ft)			
120/208V								
2304-42-00	2304-60-00	12-2 Solid (Black, White)	12 Solid (Green)	250	1000	241	0.514	0.614
2305-42-00	2305-60-00	12-3 Solid (Black, Red, White)	12 Solid (Green)	250	1000	278	0.547	0.647
2306-42-00	2306-60-00	12-4 Solid (Black, Blue, Red, White)	12 Solid (Green)	250	1000	318	0.583	0.683
—	2307-60-00	10-2 Solid (Black, White)	10 Solid (Green)	250	1000	318	0.583	0.683
2308-42-00	—	10-3 Solid (Black, Red, White)	10 Solid (Green)	250	1000	365	0.619	0.719
277/480V								
2304-42-01	2304-60-01	12-2 Solid (Brown, Gray)	12 Solid (Green)	250	1000	241	0.514	0.614
2306-42-01	—	12-4 Solid (Brown, Orange, Yellow, Gray)	12 Solid (Green)	250	1000	318	0.583	0.683

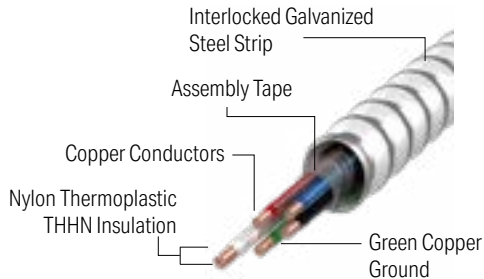
NOTE: All dimensions and weights are subject to normal manufacturing tolerances
AFC-595, AFC-596, AFC-895 fittings may be used with this product.
*Special Order, subject to lead times and minimum order quantities
** "44" Put-up code is for 250' Reels only.
†† - Cut to length
Other Jacket Colors Available by Special Order

Type MC Cables - Specialty Cable

Click brand for more product info ↓

Super Neutral Cable®/Neutral Per Phase or Oversized Neutral Type MC Technical Specifications

[AFC Cable Systems](#)
[Kaf-Tech](#)



Armor

- Interlocked Galvanized Steel Strip* (Painted White)

Conductors

- Solid, Exception: 8 AWG and Larger are Stranded

Conductor Insulation

- THHN/THWN

Assembly Covering

- Polypropylene Tape

Maximum Temperature Rating

- 90°C (Dry)

Grounding

- One or more grounding conductors insulated green, see chart below

Neutral Conductor

- Neutral per Phase or Oversized Neutral Configurations, White/White with Phase Stripe

Maximum Voltage Rating

- 600V

References & Ratings

- UL 83, 1479, 1569, 1581, 2556, File Reference E80042
- NEC® 210.4(B), 230.43, 300.22(C), 330, 392, 396.10(A), 501, 502, 503, 504, 505, 520, 530, 645
- NEC® 300.22 (C) Other Spaces Used For Environmental Air (Plenums)
- UL classified 1, 2, and 3, hour through (Fire) penetration product R14141
- Cable tray rated, install per NEC®
- Federal Specification A-A-59544 (formerly J-C-30B)
- Meets all applicable OSHA and HUD requirements
- May be surface mounted, fished and /or embedded in plaster
- Made in USA of US and /or imported materials

Type MC Cables - Specialty Cable

Super Neutral Cable®/Neutral Per Phase or Oversized Neutral Type MC Technical Specifications

Click brand for more product info ↓

[AFC Cable Systems](#)
[Kaf-Tech](#)

Part Number		Phase Conductor AWG	Neutral Conductor AWG	Grounding Conductor AWG	Approx. Weight/ 1,000 ft (lb)	Approx. Armor O.D. (in)
250' Coil	1000' Reel					
Oversize Neutral Design						
2918-42-00**	2918-60-00	12-4 Solid (Black, Red, Blue, Pink)	10-2 Solid (White, White w/ Black Stripe)	12-2 Solid (Green, Green w/ Yellow Stripe)	398	0.735
Neutral per Phase Design						
2916-42-00	—	12-2 Solid (Black, Red)	12-2 Solid (White w/ Black Stripe, White w/Red Stripe)	12-2 Solid (Green, Green w/ Yellow Stripe)	282	0.620
2911-42-00	2911-60-00	12-3 Solid (Black, Red, Blue)	12-3 Solid (White w/Black Stripe, White w/ Red Stripe, White w/Blue Stripe)	12-2 Solid (Green, Green w/ Yellow Stripe)	344	0.659

NOTE: All dimensions and weights are subject to normal manufacturing tolerances.

* Aluminum available by special order and subject to lead times and minimum order quantities.

**Special Order, subject to lead times and minimum order quantities.

***"44" Put-up code is for 250' Reels only.

Conductors must be derated per NEC® Table 310.15(C)(1)



TYPE MC CABLES - STEEL METAL CLAD CABLE

AFC Cable Systems
Kaf-Tech

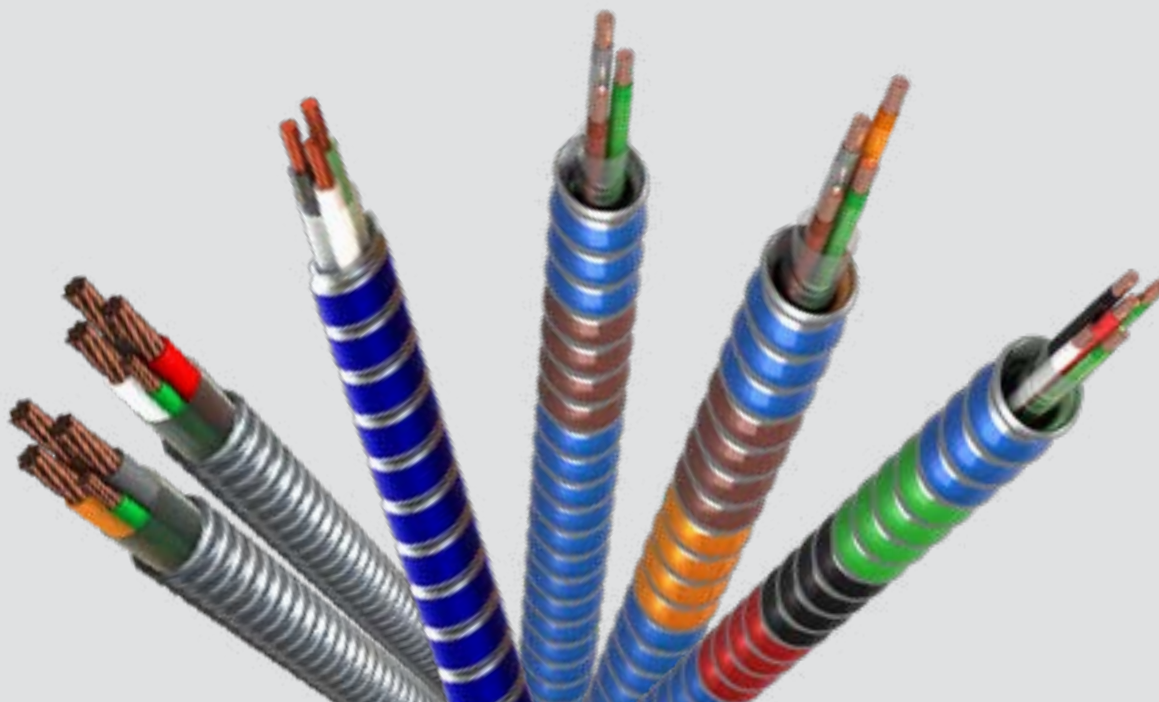
Table of Contents

↓ [Click below to view product section](#)

[MC Glide Tuff™](#)

[MC Tuff® Lightweight Steel Cable \(14 AWG - 10 AWG\)](#)

[MC Tuff® IG Isolated Ground Steel Armored Cable](#)



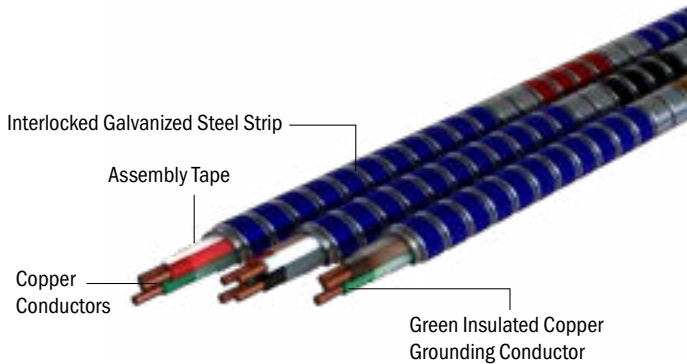
Type MC Cables - Steel Metal Clad Cable

[Click brand for more product info](#) ↓

[AFC Cable Systems](#)
[Kaf-Tech](#)

MC Glide Tuff™ Solid Conductor

Type MC Steel (120/208V & 277/480V) Technical Specifications



Armor

- Interlocked Galvanized Steel Strip (Blue Striped) with ColorSpec® ID & Color-Trak ID

Conductors

- Solid or Stranded Copper

Conductor Insulation

- THHN/THWN

Assembly Covering

- Polypropylene Tape

Maximum Temperature Rating

- 90°C (Dry)

Grounding

- Insulated Green Grounding Conductor

Neutral Conductor

- White 120/ 208V
- Gray 277/ 480V

Maximum Voltage Rating

- 600V

Features:

- ColorSpec® ID. Lightweight blue steel armor with phase and circuit ID
- Easier pulls. U.S. Patent No. 11,101,056 armor profile is designed to reduce fatigue on your workers when pulling cable through metal studs and ceilings
- No need for new tools. Works with the same tools, fittings and supports as traditional MC Cables
- Time savings. From the first pull, installing MC Glide Tuff™ will be smoother, faster and easier to work with
- Minimize damage to studs. Less resistance means less opportunity for cable hang ups, that may knock down studs

References & Ratings

- UL 83,1479,1569,1581, 2556, File Reference E80042
- NEC® 210.4(B), 230.43, 300.22(C), 330, 392, 396.10(A), 501, 502, 503, 504, 505, 520, 530, 645
- NEC® 300.22 (C) Other Spaces Used For Environmental Air (Plenums)
- UL classified 1, 2, and 3, hour through (Fire) penetration product R14141
- Cable tray rated, install per NEC®
- Federal Specification A-A-59544 (formerly J-C-30B)
- Meets all applicable OSHA and HUD requirements
- May be surface mounted, fished and /or embedded in plaster
- Made in USA of US and /or imported materials
- US Patent 11,101,056 & D935,731

Type MC Cables - Steel Metal Clad Cable

[Click brand for more product info](#) ↓

MC Glide Tuff™ Solid Conductor Type MC Steel (120/208V & 277/480V) Technical Specifications

[AFC Cable Systems](#)
[Kaf-Tech](#)

Part Number		Trade Size	Grounding Conductor AWG	Approx. Weight/ 1000ft	Approx. Armor O.D.
250' Coil	1000' Reel			(lb)	(in)
S004B42T00	S004B60T00	12-2 (Black, White)	12-1 (Green)	152	0.455
S004B42T01	S004B60T01	12-2 (Brown, Gray)	12-1 (Green)	152	0.455
S004B42T02	—	12-2 (Orange, Gray)	12-1 (Green)	152	0.455
S004B42T03*	S004B60T03*	12-2 (Yellow, Gray)	12-1 (Green)	152	0.455
S004B42T04	S004B60T04	12-2 (Red, White)	12-1 (Green)	152	0.455
S004B42T05	S004B60T05	12-2 (Blue, White)	12-1 (Green)	152	0.455
S004B42T07*	—	12-2 (Purple, Gray)	12-1 (Green)	152	0.455
S005B42T00	S005B60T00	12-3 (Black, Red, White)	12-1 (Green)	178	0.470
S005B42T01	—	12-3 (Brown, Orange, Gray)	12-1 (Green)	178	0.470

Note: All dimensions and weights are subject to normal manufacturing tolerances. Other conductor colors available by special order.
*Special Order, subject to lead times and minimum order quantities
Also offered in stranded conductors

[Click brand for more product info](#) ↓

MC Glide Tuff™ Stranded Conductor Type MC Steel (120/208V & 277/480V) Technical Specifications

[AFC Cable Systems](#)
[Kaf-Tech](#)

Part Number		Trade Size	Grounding Conductor AWG	Approx. Weight/ 1000ft	Approx. Armor O.D.
250' Coil	1000' Reel			(lb)	(in)
S058B42T00	S058B60T00	12-2 (Black, White)	12-1 (Green)	155	0.456
S059B42T00	—	12-3 (Black, Red, White)	12-1 (Green)	183	0.481

Note: All dimensions and weights are subject to normal manufacturing tolerances. Other conductor colors available by special order.
*Special Order, subject to lead times and minimum order quantities
Also offered in stranded conductors

Type MC Cables - Steel Metal Clad Cable

MC Glide Tuff™

Type MC Steel (120/208V & 277/480V) Technical Specifications

Click brand for more product info ↓

[AFC Cable Systems](#)
[Kaf-Tech](#)

Color Reference Chart

ColorSpec® ID & Color-Trak® ID



Take the Path of Least Resistance



AFC



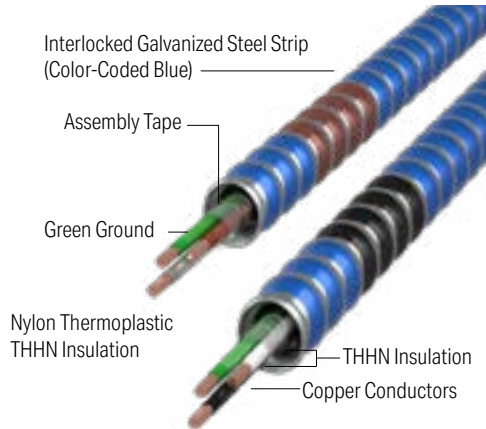
Kaf-Tech

Type MC Cables - Steel Metal Clad Cable

Click brand for more product info ↓

[AFC Cable Systems](#)
[Kaf-Tech](#)

MC Tuff® Lightweight Steel Cable Type MC (120/208V Colors) Technical Specifications



Armor

- Interlocked Galvanized Steel Strip (Blue Striped) with ColorSpec® ID & Color-Trak ID

Conductors

- Solid or Stranded Copper

Conductor Insulation

- THHN/THWN

Assembly Covering

- Polypropylene Tape

Maximum Temperature Rating

- 90°C (Dry)

Grounding

- Insulated Green Grounding Conductor

Neutral Conductor

- White 120/ 208V

Maximum Voltage Rating

- 600V

References & Ratings

- UL 83,1479,1569,1581, 2556, File Reference E80042
- NEC® 210.4(B), 230.43, 300.22(C), 330, 392, 396.10(A), 501, 502, 503, 504, 505, 520, 530, 645
- NEC® 300.22 (C) Other Spaces Used For Environmental Air (Plenums)
- UL classified 1, 2, and 3, hour through (Fire) penetration product R14141
- Cable tray rated, install per NEC®
- Federal Specification A-A-59544 (formerly J-C-30B)
- Meets all applicable OSHA and HUD requirements
- May be surface mounted, fished and /or embedded in plaster
- Made in USA of US and /or imported materials



Part Number		Trade Size	Grounding Conductor AWG	Approx. Weight/ 1,000ft	Approx. Armor O.D.
250' Coil	1000' Reel			(lb)	(in)
120/208V Solid					
1706B42T00	—	12-4 Solid (Black, Red, Blue, White)	12 Solid (Green)	232	0.586
1707B42T00	—	10-2 Solid (Black, White)	10 Solid (Green)	225	0.581
1708B42T00	—	10-3 Solid (Black, Red, White)	10 Solid (Green)	275	0.622
1709B42T00	—	10-4 Solid (Black, Red, Blue, White)	10 Solid (Green)	326	0.667

NOTE: All dimensions and weights are subject to normal manufacturing tolerances.

*Special Order, subject to lead times and minimum order quantities.

** "44" Code is 250' Reels Only.

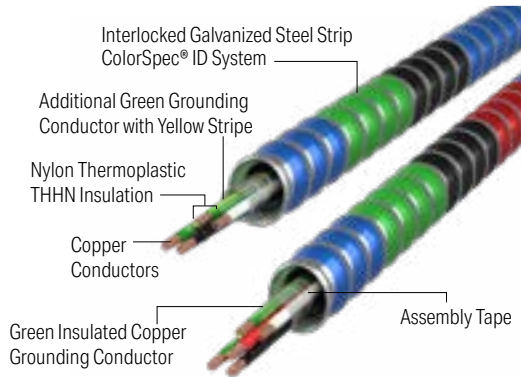
SET SCREW CONNECTORS MAY BE USED WITH STEEL CABLES

Type MC Cables - Steel Metal Clad Cable

Click brand for more product info ↓

[AFC Cable Systems](#)
[Kaf-Tech](#)

MC Tuff® IG Isolated Ground Steel Armored Cable Lightweight Traditional Type MC Technical Specifications



Armor

- Interlocked Galvanized Steel Strip (Blue Striped) with ColorSpec® ID & Color-Trak ID

Conductors

- Solid or Stranded Copper

Conductor Insulation

- THHN/THWN

Assembly Covering

- Polypropylene Tape

Maximum Temperature Rating

- 90°C (Dry)

Grounding

- 2 Solid or Stranded Grounding Conductors, Green, Green with Yellow stripe

Neutral Conductor

- White 120/ 208V

Maximum Voltage Rating

- 600V

References & Ratings

- UL 83, 1479, 1569, 1581, 2556, File Reference E80042
- NEC® 230.43, 250.118(I), 300.22(C), 330, 392, 396, 501, 502, 503, 504, 505, 518, 520, 530, 645
- Cable Tray Rated, install per NEC®
- Federal Specification A-A-59544 (formerly J-C-30B)
- Meets all applicable OSHA and HUD Requirements
- UL Classified 1, 2, and 3 hour through (Fire) penetration product, R14141
- NEC® 300.22(C) Environmental Air Handling Spaces (Plenum)
- Made in USA of US and/or imported materials



Part Number		Trade Size	Grounding Conductor AWG	Approx. Weight/ 1,000ft (lb)	Approx. Armor O.D. (in)
250' Coil	1000' Reel				
120/208V Solid Conductors					
1705B42T80	—	12-2 Solid (Black, White)	12 Solid (Green, Green/Yellow)	173	0.549
1705B42T84	—	12-2 Solid (Red, White)	12 Solid (Green, Green/Yellow)	173	0.549
1705B42T85	—	12-2 Solid (Blue, White)	12 Solid (Green, Green/Yellow)	173	0.549
120/208V Stranded Conductors					
1759B42T80	—	12-2 Stranded (Black, White)	12 Stranded (Green, Green/Yellow)	181	0.573

NOTE: All dimensions and weights are subject to normal manufacturing tolerances.



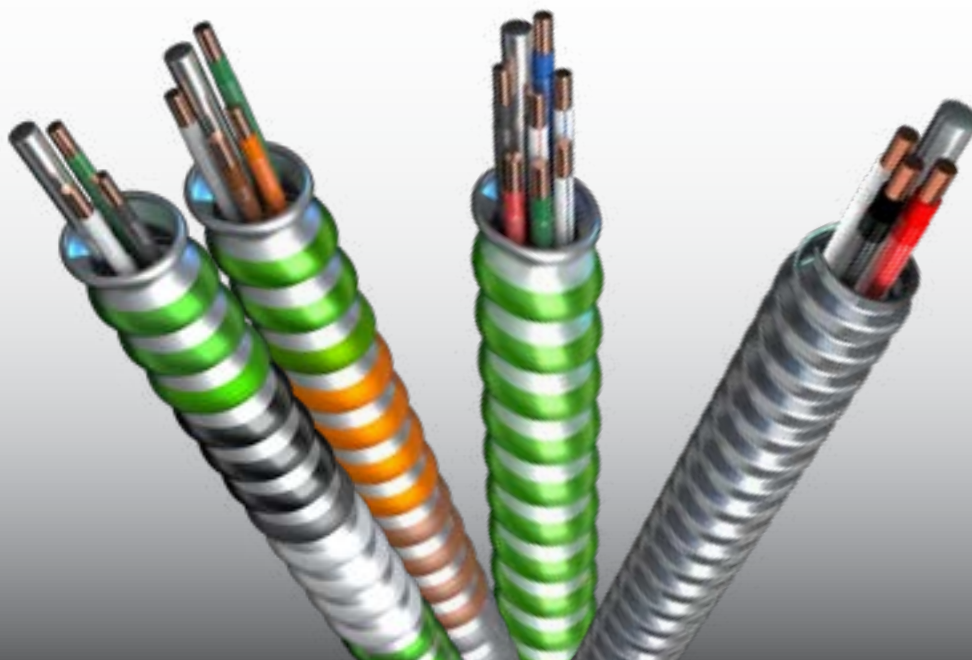
TYPE MCI-A CABLES - ARMOR + BOND = EQUIPMENT GROUNDING PATH

AFC Cable Systems
Kaf-Tech

Table of Contents

↓ [Click below to view product section](#)

[MC-Quik® Lite Aluminum Armored Cable \(Solid\)](#)
[MC-Quik® Lite Aluminum Armored Cable \(Stranded\)](#)
[MC-Stat® & MC-Stat® Lite Cable](#)



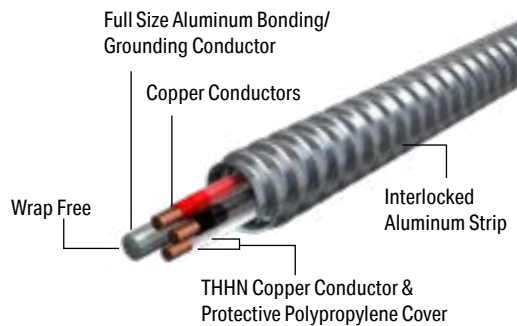
Type MCI-A Cables - Armor + Bond = Equipment Grounding Path

Click brand for more product info ↓

MC-Quik® Lite Aluminum Armored Cable (Solid)

Type MCI-A Cables (120/208V & 277/480V) Technical Specifications

[AFC Cable Systems](#)
[Kaf-Tech](#)



Armor

- Interlocked Aluminum Strip

Conductors

- Solid Copper

Conductor Insulation

- Type THHN with Protective Polypropylene Covering on Each Insulated Conductor (No Assembly Tape)

Maximum Temperature Rating

- 90°C (Dry)

Grounding

- Combined Armor and Full-Sized Aluminum Ground/Bond Conductor
NEC® 250.118(10)(b)

Neutral Conductor

- White 120 /208V
- Gray 277 /480V

Maximum Voltage Rating

- 600V

References & Ratings

- UL 83,1479,1569,1581, 2556, File Reference E80042
- NEC® 230, 250, 300, 330, 392, 396, 501, 502, 503, 505, 518, 520, 530, 645
- NEC® 300.22 (C) Other Spaces Used For Environmental Air (Plenums)
- UL classified 1, 2, and 3, hour through (Fire) penetration product R14141
- Cable tray rated, install per NEC®
- Federal Specification A-A-59544 (formerly J-C-30B)
- Meets all applicable OSHA and HUD requirements
- May be surface mounted, fished and /or embedded in plaster
- Made in USA of US and /or imported materials
- Aluminum armored cables are RoHS compliant



Part Number		Trade Size AWG	Bare Alum. Bonding/Bond Cond. AWG	Approx. Weight/ 1,000ft (lb)	Armor Nom. O.D. (in)
250' Coil	1000' Reel				
120/208V Solid					
—	3101Z60-00	14-2 Solid (Black, White)	12	66	0.422
3104Z42-00	3104Z60-00	12-2 Solid (Black, White)	10	90	0.463
3105Z42-00	—	12-3 Solid (Black, Red, White)	10	122	0.523

NOTE: All dimensions and weights are subject to normal manufacturing tolerances.

* Special Order, subject to lead times and minimum order quantities.

USE WITH AN MCI-A LISTED CONNECTOR

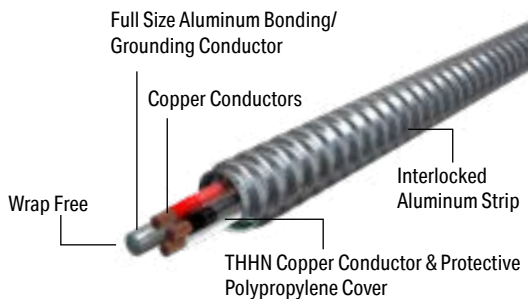
Type MCI-A Cables - Armor + Bond = Equipment Grounding Path

Click brand for more product info ↓

MC-Quik® Lite Aluminum Armored Cable (Stranded)

[AFC Cable Systems](#)
[Kaf-Tech](#)

Type MCI-A Cables (120/208V & 277/480V) Technical Specifications



Armor

- Interlocked Aluminum Strip

Conductors

- Stranded Copper

Conductor Insulation

- Type THHN with Protective Polypropylene Covering on Each Insulated Conductor (No Assembly Tape)

Maximum Temperature Rating

- 90°C (Dry)

Grounding

- Combined Armor and Full-Sized Aluminum Ground/Bond Conductor
NEC® 250.118 (10)(b)

Neutral Conductor

- White 120 /208V
- Gray 277 /480V

Maximum Voltage Rating

- 600V

References & Ratings

- UL 83,1479,1569,1581, 2556, File Reference E80042
- NEC® 230, 250, 300, 330, 392, 396, 501, 502, 503, 505, 518, 520, 530, 645
- NEC® 300.22 (C) Other Spaces Used For Environmental Air (Plenums)
- UL classified 1, 2, and 3, hour through (Fire) penetration product R14141
- Cable tray rated, install per NEC®
- Federal Specification A-A-59544 (formerly J-C-30B)
- Meets all applicable OSHA and HUD requirements
- May be surface mounted, fished and /or embedded in plaster
- Made in USA of US and /or imported materials
- Aluminum armored cables are RoHS compliant



Part Number		Trade Size AWG	Bare Alum. Bonding/Bond Cond. AWG	Approx. Weight/ 1,000ft (lb)	Approx. Armor Nom. O.D. (in)
250' Coil	1000' Reel				
120/208V Stranded					
3158Z42-00	—	12-2 Stranded (Black, White)	10	94	0.482
3159Z42-00	—	12-3 Stranded (Black, Red, White)	10	126	0.539
3160Z42-00	—	12-4 Stranded (Black, Red, Blue, White)	10	163	0.585

NOTE: All dimensions and weights are subject to normal manufacturing tolerances.

* Special Order, subject to lead times and minimum order quantities.

USE WITH AN MCI-A LISTED CONNECTOR

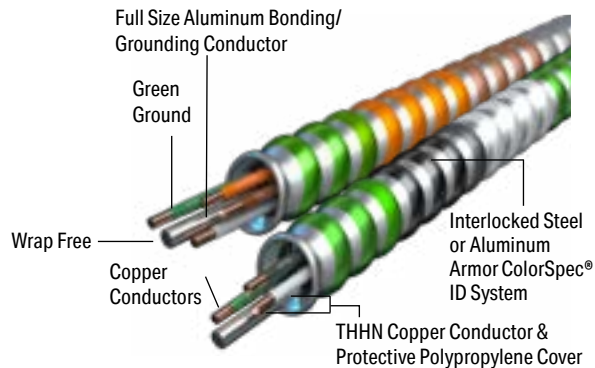
Type MCI-A Cables - Armor + Bond = Equipment Grounding Path

Click brand for more
product info ↓

[AFC Cable Systems](#)
[Kaf-Tech](#)

MC-Stat® & MC-Stat® Lite Cable

Type MCI-A Cables (120/208V Colors & 277/480V Colors)
Technical Specifications Healthcare Facility Cables



References & Ratings

- UL 83,1479,1569,1581, 2556, File Reference E80042
- NEC® 230, 250, 300, 330, 392, 396, 501, 502, 503, 505, 517, 518, 520, 530, 645
- NEC® 300.22 (C) Other Spaces Used For Environmental Air (Plenums)
- UL classified 1, 2, and 3, hour through (Fire) penetration product R14141
- Cable tray rated, install per NEC®
- Federal Specification A-A-59544 (formerly J-C-30B)
- Meets all applicable OSHA and HUD requirements
- May be surface mounted, fished and /or embedded in plaster
- Made in USA of US and /or imported materials
- Aluminum armored cables are RoHS compliant

Armor

- Interlocked Galvanized Steel Strip or Interlocked Aluminum Strip (Light Green Striped)

Conductors

- Solid or Stranded Copper

Conductor Insulation

- Type THHN with Protective Polypropylene Covering on Each Insulated Conductor (No Assembly Tape)

Maximum Temperature Rating

- 90°C (Dry)

Grounding

- Two Grounding Means - (1) Combined Armor and Full-Sized Aluminum Ground Conductor per NEC® 250.118(10)(b), (2) Full-Sized Green Insulated Copper Grounding Conductor per NEC® 250.118(1)

Neutral Conductor

- White 120 /208V
- Gray 277 /480V

Maximum Voltage Rating

- 600V

USE WITH AN MCI-A LISTED CONNECTOR

Type MCI-A Cables - Armor + Bond = Equipment Grounding Path

Click brand for more
product info ↓

MC-Stat® & MC-Stat® Lite Cable

[AFC Cable Systems](#)
[Kaf-Tech](#)

Type MCI-A Cables (120/208V Colors & 277/480V Colors)
Technical Specifications Healthcare Facility Cables



Part Number		Trade Size AWG	Grounding Conductor AWG Color	Bare Alum. Bonding/Bond Cond. AWG	Approx. Weight/ 1,000ft (lb)	Approx. Armor Nom. O.D. (in)
250' Coil	1000' Reel					
MC-Stat® Steel Cable • 120/208V Solid						
7504-42-00	—	12-2 Solid (Black, White)	12-Solid (Green)	10	186	0.523
7504-42-04	—	12-2 Solid (Red, White)	12-Solid (Green)	10	186	0.523
7504-42-05	—	12-2 Solid (Blue, White)	12-Solid (Green)	10	186	0.523
MC-Stat® Lite Aluminum Cable • 120/208V Solid						
5804-42-00	5804-60-00	12-2 Solid (Black, White)	12-Solid (Green)	10	122	0.523
5805-42-00	—	12-3 Solid (Black, Red, White)	12-Solid (Green)	10	152	0.565
MC-Stat® Lite Aluminum Cable • 120/208V Stranded						
5858-42-00	—	12-2 Stranded (Black, White)	12-Stranded (Green)	10	127	0.539

NOTE: All dimensions and weights are subject to normal manufacturing tolerances.
* Special Order, subject to lead times and minimum order quantities.



TYPE MC-PCS CABLES - POWER + CONTROL/SIGNAL CABLE (LUMINARY)

AFC Cable Systems
Kaf-Tech

Table of Contents

↓ [Click below to view product section](#)

- MC Glide Luminary Lite™ Cable
- MC Glide Luminary Tuff™ Cable
- MC Lite Luminary® Cable
- MC Luminary HCF® Cable
- MC Luminary Quik® Cable
- MC Tuff Luminary® Cable



Type MC-PCS Cables - Power + Control/Signal Cable (Luminary)

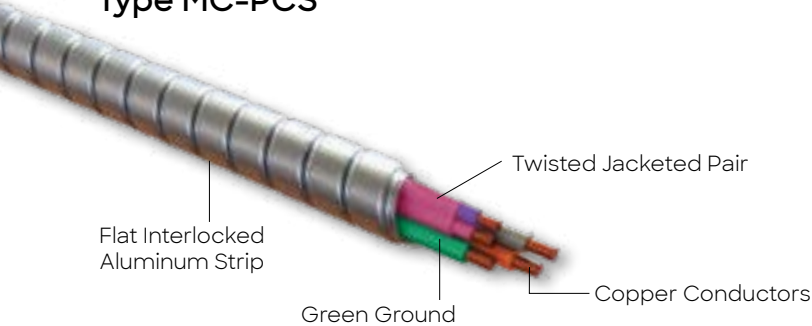
Click brand for more
product info ↓

[AFC Cable Systems](#)
[Kaf-Tech](#)

MC Glide Luminary Lite™ Cable

U.S. Patent 11,101,056 | U.S. Design Patent D935,731 | U.S. Patent 10,431,353

Type MC-PCS



Armor

- Interlocked Aluminum Strip (Plain)

Conductors

- Solid/Stranded Copper

Conductor Insulation

- THHN (Power)
- TFN (Control)

Maximum Temperature Rating

- 90°C (Dry)

Neutral Conductor

- White 120/ 208V
- Gray 277/ 480V

Control Cables

- 16 AWG Solid TFN Twisted Pink Jacketed Pair (Purple/Pink)
- Maximum Voltage Rating 600V

Reference & Rating

- UL 66,83,1479,1569,1581, 2556, File Reference E80042
- NEC® 250.118(I), 300.22(C), 330, 392, 396, 501, 502, 503, 504, 505, 518, 520, 530, 645, 725.136(I)(1)
- NEC® 300.22 (C) Other Spaces Used For Environmental Air (Plenums)
- Power and/or lighting as well as signal and/or control conductors per NEC® section 725.136 (I)(1)
- UL classified 1, 2, and 3, hour through (Fire) penetration product R14141
- Cable tray rated, install per NEC®
- Federal Specification A-A-59544 (formerly J-C-30B)
- Meets all applicable OSHA and HUD requirements
- May be surface mounted, fished and /or embedded in plaster
- Made in USA of US and /or imported materials
- Aluminum armored cables are RoHS compliant

Type MC-PCS Cables - Power + Control/Signal Cable (Luminary)

MC Glide Luminary Lite™ Cable

U.S. Patent 11,101,056 | U.S. Design Patent D935,731 | U.S. Patent 10,431,353
Type MC-PCS

Click brand for more
product info ↓

[AFC Cable Systems](#)
[Kaf-Tech](#)

Part Number		Trade Size	Grounding Conductor AWG	Approx. Weight/ 1,000ft (lb)	Approx. Armor O.D. (in)
250' Coil	1000' Reel				
Solid					
AL04-42-L00	AL04-60-L00	16-2 (TPJ) (Purple, Pink) 12-2 (Black, White)	12-1 (Green)	145	0.570
AL04-42-L01	AL04-60-L01	16-2 (TPJ) (Purple, Pink) 12-2 (Brown, Gray)	12-1 (Green)	145	0.570
AL04-42-L02	AL04-60-L02	16-2 (TPJ) (Purple, Pink) 12-2 (Orange, Gray)	12-1 (Green)	145	0.570
AL04-42-L03	AL04-60-L03	16-2 (TPJ) (Purple, Pink) 12-2 (Yellow, Gray)	12-1 (Green)	145	0.570
AL04-42-L04	—	16-2 (TPJ) (Purple, Pink) 12-2 (Red, White)	12-1 (Green)	145	0.570
AL04-42-L05	—	16-2 (TPJ) (Purple, Pink) 12-2 (Blue, White)	12-1 (Green)	145	0.570
Stranded (16-2 Solid)					
AL58-42-L00	AL58-60-L00	16-2 (TPJ) (Purple, Pink) 12-2 (Black, White)	12-1 (Green)	148	0.575

All dimensions and weights are subject to normal manufacturing tolerances.

Other conductor colors available by special order.

*Special Order, subject to lead times and minimum order quantities

MC Luminary Cable is intended for use in non-shielded applications

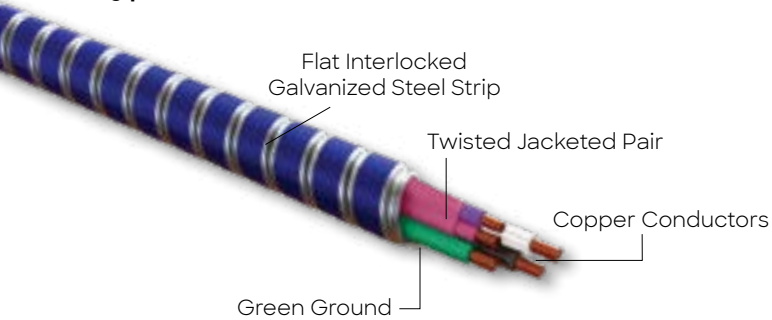
Type MC-PCS Cables - Power + Control/Signal Cable (Luminary)

Click brand for more
product info ↓

[AFC Cable Systems](#)
[Kaf-Tech](#)

MC Glide Luminary Tuff™ Cable

U.S. Patent 11,101,056 | U.S. Design Patent D935,731 | U.S. Patent 10,431,353
Type MC-PCS



Armor

- Galvanized Interlocked Steel Strip (Blue)

Conductors

- Solid/Stranded Copper

Conductor Insulation

- THHN (Power)
- TFN (Control)

Maximum Temperature Rating

- 90°C (Dry)

Neutral Conductor

- White 120/ 208V
- Gray 277 /480V

Control Cables

- 16 AWG Solid TFN Twisted Pink Jacketed pair (Purple/Pink)

Maximum Voltage Rating

- 600V

Reference & Rating

- UL 66,83,1479,1569,1581, 2556, File Reference E80042
- NEC® 250.118(I), 300.22(C), 330, 392, 396, 501, 502, 503, 504, 505, 518, 520, 530, 645, 725.136(I)(1)
- NEC® 300.22 (C) Other Spaces Used For Environmental Air (Plenums)
- Power and/or lighting as well as signal and/or control conductors per NEC® section 725.136 (I)(1)
- UL classified 1, 2, and 3, hour through (Fire) penetration product R14141
- Cable tray rated, install per NEC®
- Federal Specification A-A-59544 (formerly J-C-30B)
- Meets all applicable OSHA and HUD requirements
- May be surface mounted, fished and /or embedded in plaster
- Made in USA of US and /or imported materials
- Aluminum armored cables are RoHS compliant

Type MC-PCS Cables - Power + Control/Signal Cable (Luminary)

Click brand for more
product info ↓

[AFC Cable Systems](#)
[Kaf-Tech](#)

MC Glide Luminary Tuff™ Cable

U.S. Patent 11,101,056 | U.S. Design Patent D935,731 | U.S. Patent 10,431,353

Type MC-PCS

Part Number		Trade Size	Grounding Conductor AWG	Approx. Weight/ 1,000ft (lb)	Approx. Armor O.D. (in)
250' Coil	1000' Reel				
Solid					
SL04B42-L00	SL04B60-L00	16-2 (TPJ) (Purple, Pink) 12-2 (Black, White)	12-1 (Green)	208	0.560
SL04B42-L01	—	16-2 (TPJ) (Purple, Pink) 12-2 (Brown, Gray)	12-1 (Green)	208	0.560
SL04B42-L03	—	16-2 (TPJ) (Purple, Pink) 12-2 (Yellow, Gray)	12-1 (Green)	208	0.560
SL04B42-L04	—	16-2 (TPJ) (Purple, Pink) 12-2 (Red, White)	12-1 (Green)	208	0.560
SL04B42-L05	—	16-2 (TPJ) (Purple, Pink) 12-2 (Blue, White)	12-1 (Green)	208	0.560
SL04B42-L07*	—	16-2 (TPJ) (Purple, Pink) 12-2 (Purple, Gray)	12-1 (Green)	208	0.560

All dimensions and weights are subject to normal manufacturing tolerances.

Other conductor colors available by special order.

*Special Order, subject to lead times and minimum order quantities

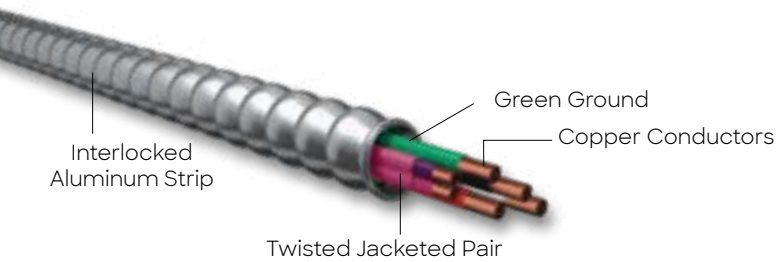
MC Luminary Cable is intended for use in non-shielded applications

Type MC-PCS Cables - Power + Control/Signal Cable (Luminary)

MC Lite Luminary® Cable
U.S. Patent No. 10,431,353 Type MC-PCS

Click brand for more
product info ↓

[AFC Cable Systems](#)
[Kaf-Tech](#)



Armor

- Interlocked Aluminum Strip (Plain)

Conductors

- Solid/Stranded Copper

Conductor Insulation

- THHN (Power)
- TFN (Control)

Maximum Temperature Rating

- 90°C (Dry)

Neutral Conductor

- White 120 /208V
- Gray 277 /480V

Control Cables

- 16 AWG Solid TFN Twisted Pink Jacketed Pair (Purple/Pink)

Maximum Voltage Rating

- 600V

Reference & Rating

- UL 66,83,1479,1569,1581, 2556, File Reference E80042
- NEC® 250.118(I), 300.22(C), 330, 392, 396, 501, 502, 503, 504, 505, 518, 520, 530, 645, 725.136(I)(1)
- NEC® 300.22 (C) Other Spaces Used For Environmental Air (Plenums)
- Power and/or lighting as well as signal and/or control conductors per NEC® section 725.136 (I)(1)
- UL classified 1, 2, and 3, hour through (Fire) penetration product R14141
- Cable tray rated, install per NEC®
- Federal Specification A-A-59544 (formerly J-C-30B)
- Meets all applicable OSHA and HUD requirements
- May be surface mounted, fished and /or embedded in plaster
- Made in USA of US and /or imported materials
- Aluminum armored cables are RoHS compliant

Type MC-PCS Cables - Power + Control/Signal Cable (Luminary)

MC Lite Luminary® Cable
U.S. Patent No. 10,431,353 Type MC-PCS

Click brand for more
product info ↓

[AFC Cable Systems](#)
[Kaf-Tech](#)

Part Number		Trade Size	Grounding Conductor AWG	Approx. Weight lb /1,000ft	Approx. Armor O.D. (in)
250' Coil	1000' Reel				
Solid					
18BG-42-L00	18BG-60-L00	16-2 (TPJ) (Purple, Pink) 12-3 (Black, Red, White)	12-1 (Green)	183	0.653
18BG-42-L01	—	16-2 (TPJ) (Purple, Pink) 12-3 (Brown, Orange, Gray)	12-1 (Green)	183	0.653
Stranded (16-2 Solid)					
18SI-42-L00	—	16-2 (TPJ) (Purple, Pink) 12-3 (Black, Red, White)	12-1 (Green)	188	0.666

All dimensions and weights are subject to normal manufacturing tolerances.

Other conductor colors available by special order.

*Special Order, subject to lead times and minimum order quantities

MC Luminary Cable is intended for use in non-shielded applications

Type MC-PCS Cables - Power + Control/Signal Cable (Luminary)

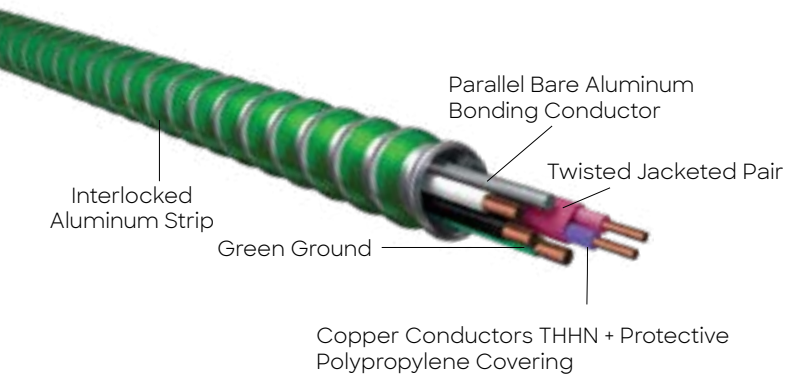
Click brand for more
product info ↓

[AFC Cable Systems](#)
[Kaf-Tech](#)

MC Luminary HCF® Cable

U.S. Patent No. 8,088,997 & U.S. Patent No. 10,431,353

Type MC-PCS Health Care Facilities (Aluminum)



Armor

- Interlocked Aluminum Strip (Light green)

Conductors

- Solid/Stranded Copper

Conductor Insulation

- THHN + Protective Polypropylene Cover (Power)
- TFN (Control)

Maximum Temperature Rating

- 90°C (Dry)

Grounding

- Two grounding means -
 - (1) Combined armor and full-sized aluminum conductor NEC® 250.118(10)(b)
 - (2) Full-sized green insulated copper grounding conductor

Neutral Conductor

- White 120/ 208V
- Gray 277/ 480V

Control Cables

- 16 AWG Solid TFN Twisted Pink Jacketed Pair (Purple/Pink)

Maximum Voltage Rating

- 600V

Reference & Rating

- UL 66,83,1479,1569,1581, 2556, File Reference E80042
- NEC® 250.118(I), 300.22(C), 330, 392, 396, 501, 502, 503, 504, 505, 517,518, 520, 530, 645, 725.136(I)(1), 690.31(G)(2)
- NEC® 300.22 (C) Other Spaces Used For Environmental Air (Plenums)
- Power and/or lighting as well as signal and/or control conductors per NEC® section 725.136 (I)(1)
- UL classified 1, 2, and 3, hour through (Fire) penetration product R14141
- Cable tray rated, install per NEC®
- Federal Specification A-A-59544 (formerly J-C-30B)
- Meets all applicable OSHA and HUD requirements
- May be surface mounted, fished and /or embedded in plaster
- Made in USA of US and /or imported materials
- Aluminum armored cables are RoHS compliant

Type MC-PCS Cables - Power + Control/Signal Cable (Luminary)

MC Luminary HCF® Cable

U.S. Patent No. 8,088,997 & U.S. Patent No. 10,431,353
Type MC-PCS Health Care Facilities (Aluminum)

Click brand for more
product info ↓

[AFC Cable Systems](#)
[Kaf-Tech](#)

Part Number		Trade Size	Grounding Conductor AWG	Bare Alum. Bonding/Bond Cond. Awg	Approx. Weight lb /1,000ft	Approx. Armor O.D. (in)
250' Coil	1000' Reel					
Solid						
LH04-42-L00	LH04-60-L00	16-2 (TPJ) (Purple, Pink) 12-2 (Black, White)	12-1 (Green)	10	207	0.708
Stranded (16-2 Solid)						
LH58-42-L00	—	16-2 (TPJ) (Purple, Pink) 12-2 (Black, White)	12-1 (Green)	10	202.4	0.769

All dimensions and weights are subject to normal manufacturing tolerances.
Also available with Steel armor. Other conductor colors available by special order.
*Special Order, subject to lead times and minimum order quantities
MC Luminary Cable is intended for use in non-shielded applications

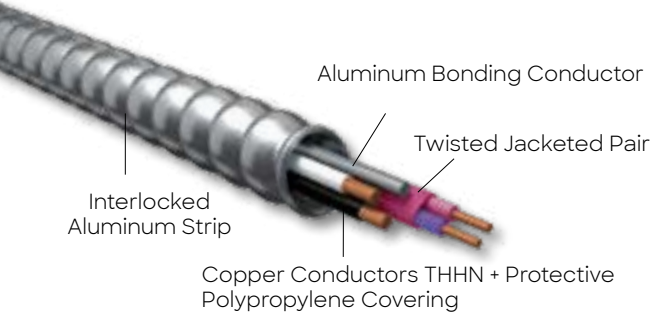
Type MC-PCS Cables - Power + Control/Signal Cable (Luminary)

Click brand for more
product info ↓

[AFC Cable Systems](#)
[Kaf-Tech](#)

MC Luminary Quik® Cable

U.S. Patent No. 8,088,997 Type MC-PCS



Armor

- Interlocked Aluminum Strip (Plain)

Conductors

- Solid/Stranded Copper

Conductor Insulation

- THHN with protective polypropylene covering on each insulated conductor (Power)
- TFN (Control)

Maximum Temperature Rating

- 90°C (Dry) Rating

Neutral Conductor

- White 120/ 208V
- Gray 277/ 480V

Control Cables

- 16 AWG Solid TFN Twisted Pink Jacketed pair (Purple/Pink)

Maximum Voltage Rating

- 600V

Reference & Rating

- UL 66,83,1479,1569,1581, 2556, File Reference E80042
- NEC® 250.118(I), 300.22(C), 330, 392, 396, 501, 502, 503, 504, 505, 518, 520, 530, 645, 725.136(I)(1)
- NEC® 300.22 (C) Other Spaces Used For Environmental Air (Plenums)
- Power and/or lighting as well as signal and/or control conductors per NEC® section 725.136 (I)(1)
- UL classified 1, 2, and 3, hour through (Fire) penetration product R14141
- Cable tray rated, install per NEC®
- Federal Specification A-A-59544 (formerly J-C-30B)
- Meets all applicable OSHA and HUD requirements
- May be surface mounted, fished and /or embedded in plaster
- Made in USA of US and /or imported materials

Type MC-PCS Cables - Power + Control/Signal Cable (Luminary)

MC Luminary Quik® Cable
U.S. Patent No. 8,088,997 Type MC-PCS

[Click brand for more product info](#) ↓

[AFC Cable Systems](#)
[Kaf-Tech](#)

Part Number		Trade Size	Bare Alum. Bonding/ Bond Cond. AWG	Approx. Weight	Approx. Amor
250' Coil	1000' Reel			lb /1,000ft	O.D.
				(lb)	(in)
Solid					
MC04-42-L00	—	16-2 (TPJ) (Purple, Pink) 12-2 (Black, White)	10	166	0.747

All dimensions and weights are subject to normal manufacturing tolerances.
Also available with Steel armor. Other conductor colors available by special order.
*Special Order, subject to lead times and minimum order quantities
MC Luminary Cable is intended for use in non-shielded applications

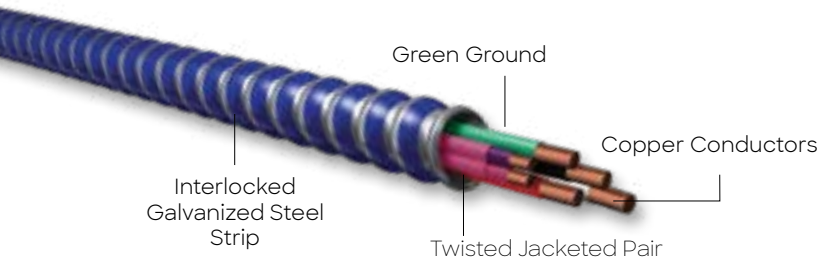
Type MC-PCS Cables - Power + Control/Signal Cable (Luminary)

MC Tuff Luminary® Cable

U.S. Patent No. 10,431,353 Type MC-PCS

Click brand for more product info ↓

[AFC Cable Systems](#)
[Kaf-Tech](#)



Armor

- Interlocked Galvanized Steel Strip (Blue)

Conductors

- Solid Copper

Conductor Insulation

- THHN (Power)
- TFN (Control)

Maximum Temperature Rating

- 90°C (Dry)

Neutral Conductor

- White 120/ 208V
- Gray 277/ 480V

Control Cables

- 16 AWG Solid TFN Twisted Pink Jacketed pair (Purple/Pink)

Maximum Voltage Rating

- 600V

Reference & Rating

- UL 66,83,1479,1569,1581, 2556, File Reference E80042
- NEC® 250.118(I), 300.22(C), 330, 392, 396, 501, 502, 503, 504, 505, 518, 520, 530, 645, 725.136(I)(1)
- NEC® 300.22 (C) Other Spaces Used For Environmental Air (Plenums)
- Power and/or lighting as well as signal and/or control conductors per NEC® section 725.136 (I)(1)
- UL classified 1, 2, and 3, hour through (Fire) penetration product R14141
- Cable tray rated, install per NEC®
- Federal Specification A-A-59544 (formerly J-C-30B)
- Meets all applicable OSHA and HUD requirements
- May be surface mounted, fished and /or embedded in plaster
- Made in USA of US and /or imported materials

Part Number		Trade Size	Grounding Conductor AWG	Approx. Weight lb /1,000ft	Approx. Armor O.D.
250' Coil	1000' Reel			(lb)	(in)
Solid					
18BMB42TL00	—	16-2 (TPJ) (Purple, Pink) 12-3 (Black, Red, White)	12-1 (Green)	242	0.613

All dimensions and weights are subject to normal manufacturing tolerances.

Other conductor colors available by special order.

*Special Order, subject to lead times and minimum order quantities

MC Luminary Cable is intended for use in non-shielded applications



CABLE TRAY SYSTEMS



Cope
US Tray

Cable Tray Systems - Table of Contents

↓ [Click below to view product section](#)

[Introduction](#)

[Wire Basket](#)

[Aickinstrut Fiberglass Framing System](#)

Product Features

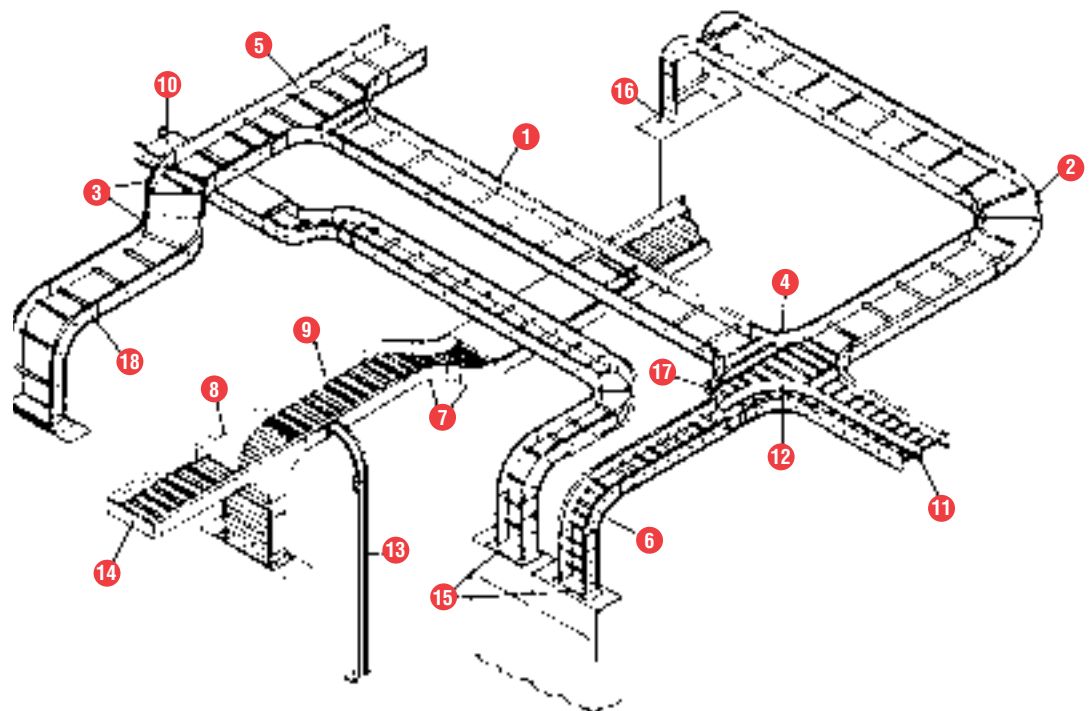
Selecting an Atkore Cable Tray System

A number of factors must be considered when selecting the proper cable tray system and planning the installation:

- Material and Finish
- Types of Cable Tray
- NEMA Class
- Cavity Size – Load Depth/Width of Tray
- Length of Straight Sections
- Rung Spacing
- Radius of Fittings
- Cable Tray Support Locations
- Electrical Grounding

Cable Tray System Drawing Legend

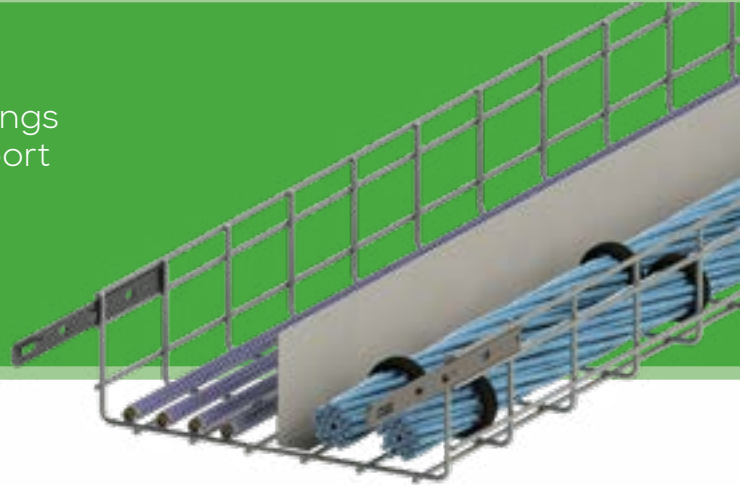
- | | |
|---|-------------------------------------|
| 1. Straight Section, Ladder | 12. Barrier Strip |
| 2. Horizontal Elbow, 90°, Ladder Type | Flexible-Horizontal Fitting |
| 3. Horizontal Elbow, 30°, 45°, or 60° | 13. Straight Section, Channel |
| 4. Horizontal Cross, Ladder Type | 14. Blind End |
| 5. Horizontal Tee, Ladder Type | 15. Box Connector |
| 6. Vertical Elbow, Outside, 90° | 16. Angle Connector |
| 7. Vertical Elbow, Outside & Inside, 30°, 45°, or 60° | 17. Reducing Connector |
| 8. Vertical Tee, Solid Bottom Trof Type | 18. Universal Curvilinear Connector |
| 9. Straight Section, Solid Bottom Trof | |
| 10. Flanged Solid Cover | |
| 11. Barrier Strip- Straight Section | |



Cable Tray 101

Types Of Cable Tray

Any assembly of cable tray straight sections, fittings and accessories that form a rigid system to support cables is a cable tray. The different types of tray designs are described below.



C-Channel Swage Ladder

Two aluminum or steel C-Channel profile side rails with transverse ladder rungs; provides the most rigid ladder tray system. Ideal for high vibration environments.

I-Beam Ladder

Two extruded aluminum I-Beam profile side rails with transverse welded rungs. Best in class loading capacities provide long support span capability and versatility.

Ventilated Trof

Two steel C-Channel flange in and welded corrugated bottom construction. Trof cable trays are the best choice for smaller cables. Ventilated trofs offer some airflow while completely eliminating cable sagging.

Solid Trof

Two steel C-Channel flange in and welded solid bottom construction. Solid bottom cable trays completely eliminate cable sagging and offer the most protection for the cables.

Eagle Basket

Provides the superior flexibility and ease of installation required by power and data-com installations. The exclusive Quick-Latch system provides industry leading installation time. Offered in a variety of materials and finishes, the 2"x4" wire mesh grid construction allows for maximum airflow.

Cable Channel

Metal U-Shaped construction available with ventilated or solid bottom. Ideal for branch power circuits, control, signal, and tubing systems.

Fiberglass Cable Tray

Fiberglass cable tray provides the answer to many adverse environments. Life cycle costs, long span capability and easy field modification make fiberglass tray an ideal choice for industrial, chemical, and petro-chemical facilities.

Cable Tray 101



Materials and Finish

The material selection is based on the environmental conditions and economic considerations for the project.

Aluminum

Aluminum material in accordance with AA-6063-T6. Aluminum trays are suitable for most outdoor applications and offer reductions in total installed costs.

Steel - Pre-Galvanized

Hot Dip Mill-Galvanized steel (ASTM-A-653-G90 CS) is zinc coated by a hot dip process. Steel strip from a coil is fed through a continuous zinc coater which cleans, fluxes and coats the steel with molten zinc. After cooling, the steel is recoiled. The pre-galvanized coating provides a total weight of 0.90 oz. of zinc for both sides of one square foot of material.

Mill-galvanized ladder is made of pre-galvanized steel and generally used indoors or in locations not exposed to the elements or corrosives.

Steel - Hot Dip Galvanized after Fabrication

In hot dip galvanization after fabrication (HDGAF), the finished part is immersed in a bath of molten zinc (ASTM 123). This method results in complete zinc coverage and a thicker coating than pre-galvanized or electro-plated steel.

The zinc coating is typically 2.6 mils or 1.5 oz./sq. ft. of surface area.

This is the coating of choice for applications where protection from severe corrosion is a design factor.

Stainless Steel

Type 304 and Type 316 stainless steel material in accordance with ASTM-A-240.

Fiberglass

For extremely corrosive areas, Atkore offers the most complete line of fiberglass cable trays available. In addition, a full line of Aickinstrut and channel fiberglass products is available to support your full raceway installation.



WIRE BASKET

Cope
US Tray

Table of Contents

↓ [Click below to view product section](#)

Introduction

Materials & Finishes

QUICK-LATCH

Straight Lengths

2" Deep Eagle Basket

4" Deep Eagle Basket

6" Deep Eagle Basket

Accessories & Hardware

EGL-VERT-KIT - Elevation Change Kit

EGL-EMT-CLIP - Conduit to Basket Clip

CH - Horizontal Adjustable Connector

Splicing

Fitting Hardware

Clips

Dividers

Mounting Drop Rod Clips

Support Brackets

EGL-STRUT-CLIP - Strut Clip

SPLIT-BOLT



Wire Basket

Eagle Basket Materials and Finishes

EAGLE BASKET is offered in a wide variety of materials and finishes to meet all of your environmental and aesthetic requirements.



Suffix	Material	Finish	Controlled Interior	Exterior	Oil/Gas Petrochemical	Food Processing	Highly Corrosive Applications
No suffix needed	ASTM A 510 GRADE 1008	Electroplated zinc galvanized after fabrication ASTM B633	X				
HDG	ASTM A 510 GRADE 1008	Hot Dipped Galvanized after fabrication ASTM 123		X	X		
SS	304L Stainless Steel	ASTM A580		X	X	X	
S1	316L Stainless Steel	ASTM A580		X	X	X	X
PCWT	ASTM A 510 GRADE 1008	White powder coat finish after application	X				
PCBK	ASTM A 510 GRADE 1008	Black powder coat finish after application	X				
PC(X)	ASTM A 510 GRADE 1008	Custom powder coat finish after application e.g. PCY = Powder coat yellow	X				

Eagle Basket Product Code - Use when Ordering or Specifying Eagle Basket

Tray Type	Load Depth (in)		Width (in)	Straight Length		Length (in)
EGL	H	-	WW	SL	-	120

For example: EGL2-24SL-120 is the product code for 2" load depth, 24" wide Eagle Basket

Wire Basket

QUICK-LATCH™

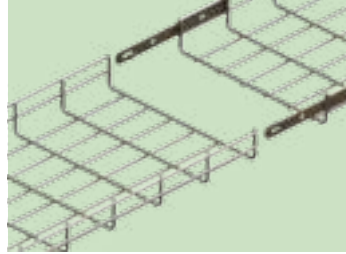
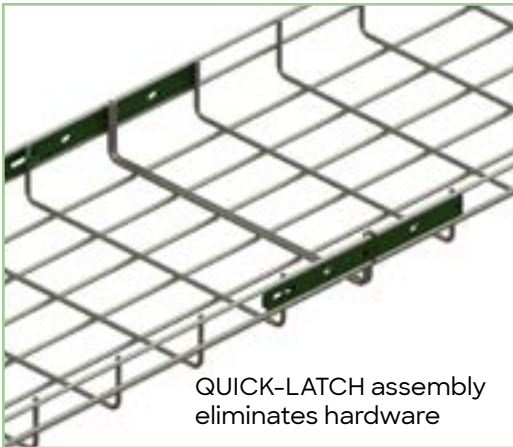
[Click brand for more product info](#) ↓

[Cope](#)
[US Tray](#)

The Industry's only zero-hardware solution for all tray sizes

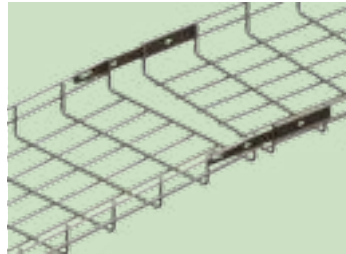
The QUICK-LATCH™ splicing system makes connecting EAGLE BASKET fast and easy. The QUICK-LATCH or self-splicing bars come pre-installed on ALL Eagle Basket straight lengths, eliminating the need for nut and bolt type connections. The AUTOLOCK is built into the QUICK-LATCH which locks the trays into place for a secure connection.

ALSO SOLD INDIVIDUALLY



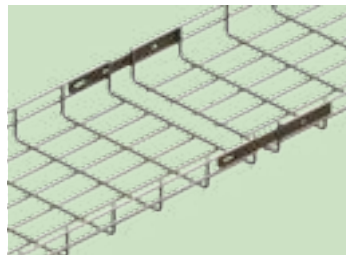
Step 1

Align the trays as shown



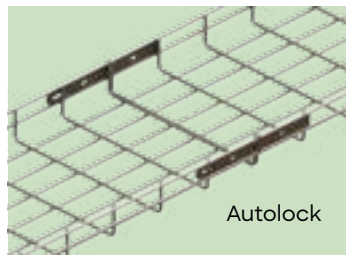
Step 2

While raising the edge of the tray with QUICK-LATCH slide the tray forward but do not engage the AUTO-LOCK



Step 3

Lower the edge of the QUICK-LATCH over the back edge of the tray



Step 4

Slide the tray forward to engage QUICK-LATCH and AUTO-LOCK

Splice straight lengths for field cuts with zero hardware

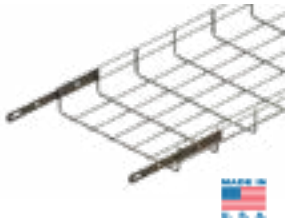


Wire Basket

[Click brand for more product info](#) ↓

[Cope US Tray](#)

2" Deep Eagle Basket



Features:

- Double rod reinforced tray is 2" high
- Standard length of tray is 10'
- Additional widths available upon request
- Standard finish is electro-galvanized (EG)
- Zero hardware to connect straight lengths
- For continuous grounding use EGL-GC



EGL2-(WW)SL-120

Part Number	Nominal Width	Wire Diameter	Weight (piece)	Loading (lb/ft)					
				(in)	(mm)	(in)	(lb)	5' Span	6' Span
EGL2-02SL-120		2	50	0.197	4.6	60	42	23	19
EGL2-04SL-120		4	100	0.197	6.8	60	42	23	19
EGL2-06SL-120		6	150	0.197	8.0	60	42	23	19
EGL2-08SL-120		8	200	0.197	9.3	89	62	35	27
EGL2-12SL-120		12	300	0.197	14.5	89	62	35	27

4" Deep Eagle Basket

[Click brand for more product info](#) ↓

[Cope US Tray](#)



Features:

- Double rod reinforced tray is 4" high
- Standard length of tray is 10'
- Additional widths available upon request
- Standard finish is electro-galvanized (EG)
- Zero hardware to connect straight lengths
- For continuous grounding use EGL-GC



EGL4-(WW)SL-120

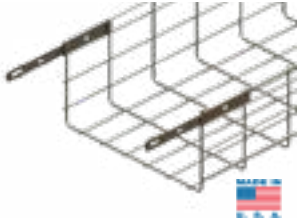
Part Number	Nominal Width	Wire Diameter	Weight (piece)	Loading (lb/ft)					
				(in)	(mm)	(in)	(lb)	5' Span	6' Span
EGL4-04SL-120		4	100	0.197	9.3	108	75	42	33
EGL4-06SL-120		6	150	0.197	11.9	108	75	42	33
EGL4-08SL-120		8	200	0.197	14.5	108	75	42	33
EGL4-12SL-120		12	300	0.197	25.3	182	127	71	56
EGL4-18SL-120		18	450	0.197	32.0	182	127	71	56
EGL4-24SL-120		24	600	0.197	38.8	182	127	71	56

Wire Basket

[Click brand for more product info](#) ↓

[Cope US Tray](#)

6" Deep Eagle Basket



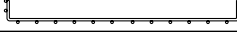


Features:

- Double rod reinforced tray is 4" high
- Standard length of tray is 10'
- Additional widths available upon request
- Standard finish is electro-galvanized (EG)
- Zero hardware to connect straight lengths
- For continuous grounding use EGL-GC



EGL6-(WW)SL-120

Part Number	Nominal Width	Wire Diameter	Weight (piece)	Loading (lb/ft)					
				(in)	(mm)	(in)	(lb)	5' Span	6' Span
EGL6-06SL-120		6	150	0.197	8.0	60	42	23	19
EGL6-12SL-120		12	300	0.197	29.8	235	163	92	73
EGL6-24SL-120		24	600	0.197	48.4	235	163	92	73

Wire Basket

[Click brand for more product info](#) ↓

EGL-VERT-KIT - Elevation Change Kit

[Cope US Tray](#)



- For supporting and reinforcing elevation changes
- Easy mounting using the LANCE feature to fasten the hinges to the tray
- Contains hardware to set adjustable angle
- Standard Finish is pre-galvanized (PG)

EGL-EMT-CLIP - Conduit to Basket Clip

[Click brand for more product info](#) ↓

[Cope US Tray](#)

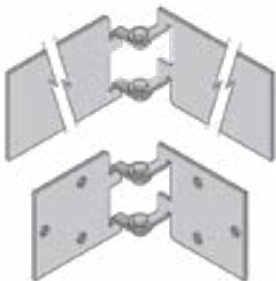


- Two different latching configurations:
Configuration 1 accommodates ½", ¾" and 1" EMT Connectors
Configuration 2 accommodates ½", ¾" and 1-¼" EMT Connectors
- Bottom mounting for all load depth
- Side mounting for 4" and 6" load depth
- Standard Finish is pre-galvanized (PG)

CH - Horizontal Adjustable Connector

[Click brand for more product info](#) ↓

[Cope US Tray](#)



- Sold in pairs
- Bonding jumpers are required and sold separately
- Available in Aluminum, HDGAF Steel, 304SS

Part Number	Load Depth (in)	Finish
58-02CH-SS	5 or 6	SS

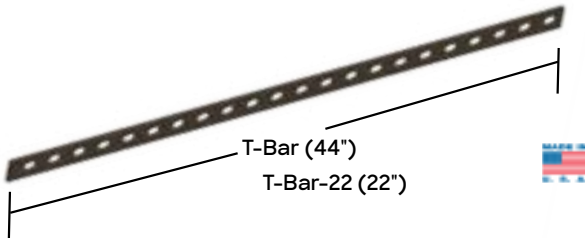
Wire Basket

Splicing

T-BAR - Bend & Intersection Bar

[Click brand for more product info](#) ↓

[Cope US Tray](#)



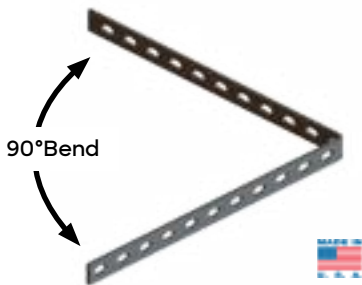
- Connect using CH3 (sold separately)
- Bend 90° for use as an angle connector

Part Number	Width (in)	Length (in)	Standard Finish	Product Weight per Piece (lb)
T-BAR	3/4	44	Electro-galvanized (EG)	1.43

T-BAR-22 - Bend & Intersection Bar

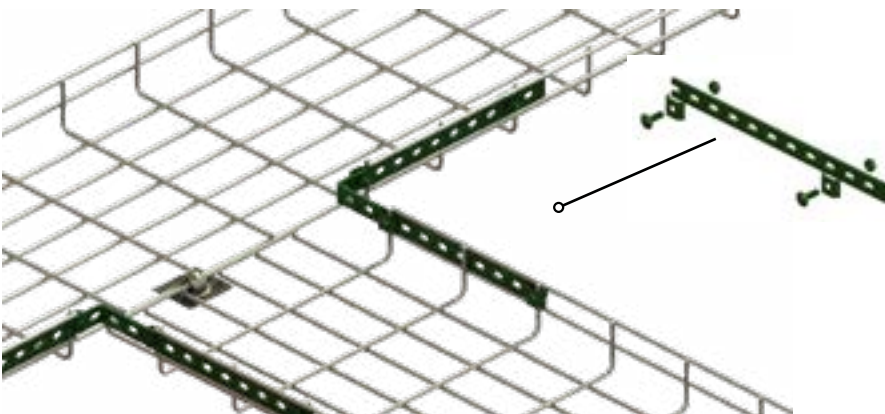
[Click brand for more product info](#) ↓

[Cope US Tray](#)



- Connect using CH3 (sold separately)

Part Number	Width (in)	Length (in)	Standard Finish	Product Weight per Piece (lb)
T-BAR-22	3/4	22	Electro-galvanized (EG)	0.715



Notes:

1. Always place nut on outside of tray
2. For use with EGL2, EGL4 & EGL6 basket
3. Used for tees which require a heavier support
4. These bars are field cut to appropriate length

Wire Basket

Fitting Hardware

CH1 - Connector Hardware Kit

[Click brand for more product info](#) ↓

[Cope US Tray](#)



- Standard bar connector is 1 3/16" x 1 1/16"
- EG-CBN connector hardware included

Note: Always place nut on outside of tray

Part Number	Standard Finish	Package Quantity
CH1	Electro-galvanized (EG)	10

CH2 - Connector Hardware Kit

[Click brand for more product info](#) ↓

[Cope US Tray](#)



- Bottom connector is 2" x 2 3/8"
- EG-CBN connector hardware included

Note: Always place nut on outside of tray

Part Number	Standard Finish	Package Quantity
CH2	Electro-galvanized (EG)	10

CH3 - Connector Hardware Kit

[Click brand for more product info](#) ↓

[Cope US Tray](#)



- Universal connector is 1 1/16" x 1 3/16"
- EG-CBN connector hardware included

Note: Always place nut on outside of tray

Part Number	Standard Finish	Package Quantity
CH3	Electro-galvanized (EG)	10

Wire Basket

Fitting Hardware

EG-CBN - Connector Hardware

[Click brand for more product info](#) ↓

[Cope US Tray](#)



- 1/4"-20 x 3/4" carriage bolt
- 1/4"-20 hex head nut

Note: Always place nut on outside of tray

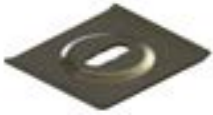
Part Number	Standard Finish	Package Quantity
EG-CBN	Electro-galvanized (EG)	10

Clips

BOTTOM-CLIP

[Click brand for more product info](#) ↓

[Cope US Tray](#)



- Can be used as a hold down clip to relay racks and strut
- Up to 1/4" diameter hardware for securing to strut
- EG-CBN sold separately
- Note: Always place nut on outside of tray

Part Number	Standard Finish	Package Quantity
BOTTOM-CLIP	Electro-galvanized (EG)	10

EGL-GC - Grounding Clip

[Click brand for more product info](#) ↓

[Cope US Tray](#)



- Connection to splice bars requires a nut and bolt assembly (EG-CBN) purchased separately
- Use on both sides of tray

Note: Always place nut on outside of tray

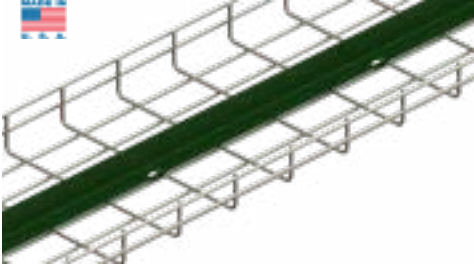
Part Number	Standard Finish	Package Quantity
EGL-GC	Pre-galvanized (PG)	10

Wire Basket

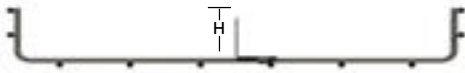
[Click brand for more product info](#) ↓

[Cope US Tray](#)

EGL(H)-01SB-120 - Dividers



- Standard finish is pre-galvanized (PG)
- Easy mounting using the LANCE feature to fasten the divider to basket
- Cut V into bottom flange to make barriers for horizontal fittings



EGL(H)-01SB

Part Number	H Dimension (in)	Finish	Product Weight per Piece (lb)
EGL2-01SB-120	1.60	PG	0.6
EGL4-01SB-120	3.60	PG	1.0
EGL6-01SB-120	5.60	PG	1.4

Mounting Drop Rod Clips

[Click brand for more product info](#) ↓

[Cope US Tray](#)

EGL-SIDE-DRC - Side-Drop Rod Clip



- For all widths of tray

Part Number	Bracket Thickness (in)	Standard Finish	Product Weight per Piece (lb)
EGL-SIDE-DRC	0.08	Pre-galvanized (PG)	0.13

Wire Basket

[Click brand for more product info](#) ↓

EGL-MSB-(WW) - Medium Support Bracket

[Cope US Tray](#)



- Used for trapeze and center hung supports
- Easy mounting of cable tray using the LANCE feature to fasten the basket to support

Part Number		Basket Width	Channel	Standard Finish
Trapeze	Center Hung	(in)	(Lanced Strut)	
—	EGL-MSB-18	18	1 5/8" x 1 3/16"	Pre-galvanized (PG)

EGL-STRUT-CLIP - Strut Clip

[Click brand for more product info](#) ↓

[Cope US Tray](#)



- Clip to secure wire basket to 1 5/8" strut channel
- Install with a quarter turn with screwdriver
- Geomet finish suitable for use with EG, HDG, and SS tray

Note: Always place nut on outside of tray

Part Number	Standard Finish	Package Quantity
EGL-STRUT-CLIP	Geomet	50

Wire Basket

[Click brand for more product info](#) ↓

[Cope](#)
[US Tray](#)

SPLIT-BOLT



- Standard finish is electro-galvanized (EG) offering corrosion resistance and longer life expectancy
- Split bolts are utilized for the attachment of a separate ground wire
- Use with #6 AWG Ground Conductor

Note: Always place nut on outside of tray

Part Number	Standard Finish
SPLIT-BOLT	Electro-galvanized (EG)



AICKINSTRUT FIBERGLASS FRAMING SYSTEM

Cope
US Tray

Table of Contents

↓ [Click below to view product section](#)

[Introduction](#)

[Channel](#)

[Heavy Duty - Aickinstrut Profile](#)

[Heavy Duty - Standard Profile](#)



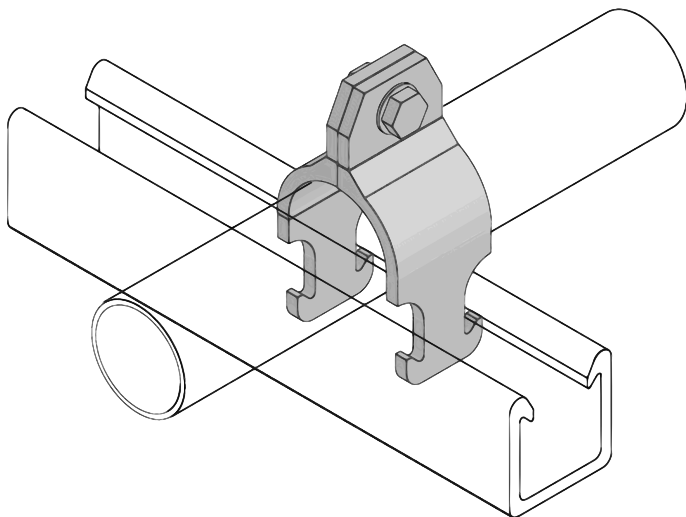
Aickinstrut Fiberglass Framing System

Introduction

Aickinstrut Fiberglass Strut is the most widely used and accepted nonmetallic strut support system in the world because it is the most complete quality line of nonmetallic accessories, fasteners, hangers, pipe clamps and channels available. Aickinstrut is a versatile, high-strength product that has been successfully used in thousands of applications worldwide. Some of those applications include wastewater treatment, refineries, chemical plants, marinas, pulp and paper, desalination facilities, theme parks, aquariums and underground vaults.

Made from entirely nonmetallic, corrosion resistant resins, Aickinstrut can be used in demanding environments where steel strut systems have traditionally failed. Its lightweight components can be installed quickly and easily using standard metal working tools. All Aickinstrut parts incorporate the highest quality materials to provide superior chemical resistance, strength, flame resistance and ultraviolet protection.

Because Aickinstrut manufactures a complete corrosion resistant strut support system, the customer has the benefit of purchasing all of these items from a single source, thereby minimizing start up and delivery delays.



The Pultrusion Process

The pultruded structural component is made by reinforcing a polymer resin (usually polyester or vinyl ester resin) with multiple strands of glass filament and alternating layers of glass mat.

The glass is drawn through the liquid resin, which coats and saturates the fibers. The combination of resin and glass is then continuously guided and pulled (pultruded) through a heated die that determines the shape of the component.

In the die, the resin is cured to form a permanent, reinforced part which can be cut to a specific length. Since the hardened fiberglass pultrusion is reinforced with an internal arrangement of permanently bonded continuous glass fibers, it possesses great strength. In addition to strength, pultruded fiberglass components exhibit exceptional corrosion and fire resistance. This attribute makes fiberglass the material of choice for many harsh industrial applications.

Material

The finished Aickinstrut application will utilize a combination of materials from the following resin families:

Material Code	Material	Low Temperature	High Temperature
E	PVC (extruded)	-25°F	130°F
P	Polyester (pultruded)	-35°F	200°F
V	Vinyl ester (pultruded)	-35°F	200°F
PU	Polyurethane (injection molded)	-40°F	140°F
PP	Polypropylene (injection molded)	-30°F	150°F
N	Nylon (injection molded)	-20°F	150°F

The ability of each material to handle high and low temperatures, chemical exposures and static loads allows you to select the optimal Aickinstrut Channel, Fittings and Accessories for your particular applications.

Aickinstrut Fiberglass Framing System

Polyester and Vinyl Ester Materials

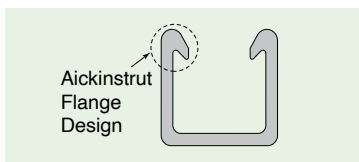
The polyester and vinyl ester channels are manufactured from the pultrusion process. The vinyl ester resin system is somewhat stronger and is applied in severe corrosive applications. Both resin systems are flame retardant, conforming to ASTM E84, Class 1 flame rating and are self extinguishing per the requirements of UL94V-0.

PVC Materials

PVC channels are manufactured from the extrusion process, in which a PVC resin mixture is continuously fed through a heated die that determines the shape of the component. In the die, the resin is cured to form a permanent, extruded part that can be cut to a specific length. Extruded components do not incorporate glass-reinforcement; consequently, they do not exhibit the same beam strength as their pultruded counterparts. PVC components, however, exhibit exceptional corrosion and fire resistance, making PVC channel an excellent alternative when excessive beam strength is not required.

Channel Framing

All Aickinstrut channels, except the SST series, incorporate a flange design which provides reliable fastening and interlocking of Aickinstrut components and accessories.

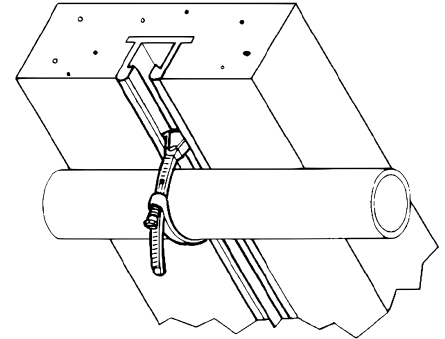


Aickinstrut channel is available in 3 materials:

- Polyester (P material) - Gray
- Vinyl Ester (V material) - Beige
- PVC (E material) - Dark Gray

Concrete Embedment Channel

In certain applications, it is necessary to embed a corrosion resistant channel into a new pouring of concrete.



For these applications, Aickinstrut concrete embedment channel is recommended. Aickinstrut embedment channel is available in three material types: PVC, polyester and vinyl ester. The PVC embedment channel is extruded as one piece while the polyester and vinyl ester embedment channel is a two piece bonded type design. The PVC embedment channel is available in the 1 $\frac{5}{8}$ " profile while polyester and vinyl ester embedment channels are available in all three profiles (1 $\frac{5}{8}$ ", 1 $\frac{1}{2}$ " & 1 $\frac{1}{8}$ ").

The embedment channel utilizes two continuous protruding flanges in the profile base to retain the channel in the concrete. Mounting the embedment channel flush with the concrete surface is a convenient way to secure piping, conduits or electrical enclosures to a wall or ceiling. The PVC embedment channel is extremely high in strength. When embedded in 3,000 PSI concrete, the concrete will fail before the channel is pulled out. When field cuts are made, product must be sealed using acrylic enamel.

Aickinstrut SST Channel

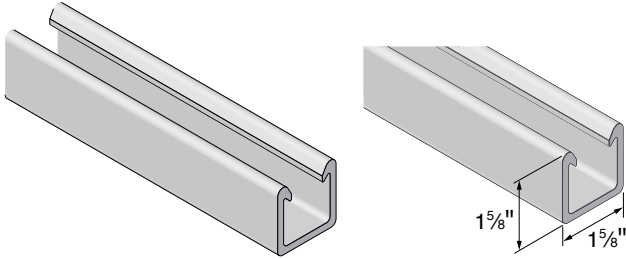
Aickinstrut SST Fiberglass Channel incorporates a standard channel profile that will accommodate metallic pipe straps and clamps. SST channel is available in polyester or vinyl ester resin. All standard styles (solid, slotted, concrete insert and back-to-back) are available.

Aickinstrut Fiberglass Framing System

Standard Heavy Duty Channel - Aickinstrut Profile

[Click brand for more product info](#) ↓

[Cope US Tray](#)



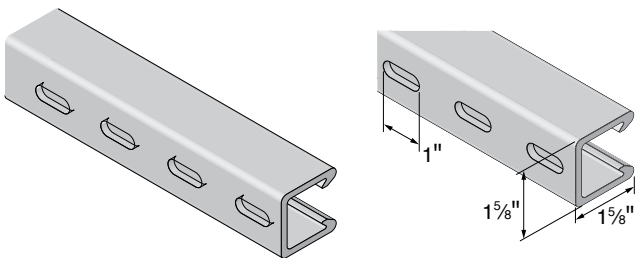
Part Number	Length (ft)	A (in)	B (in)	Finish
20P-2000	10	1 5/8	1 5/8	Polyester

Standard lengths of 10ft.

Slotted Heavy Duty Channel - Aickinstrut Profile

[Click brand for more product info](#) ↓

[Cope US Tray](#)



Part Number	Hole Diameter (in)	Length (ft)	A (in)	B (in)	Finish
20P-2200	1 x 3/8	10	1 5/8	1 5/8	Polyester

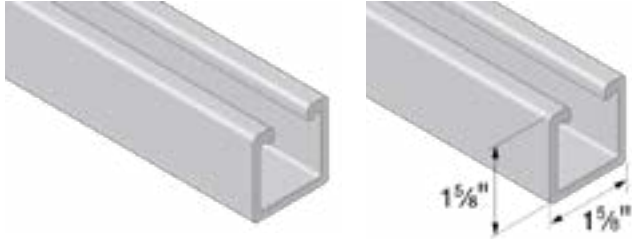
Standard lengths of 10ft.

Aickinstruct Fiberglass Framing System

[Click brand for more product info](#) ↓

Standard Heavy Duty Channel – Standard Profile*

[Cope](#)
[US Tray](#)



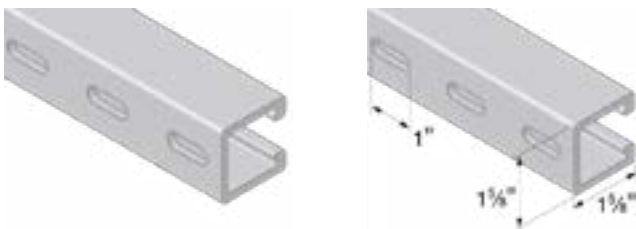
Part Number	Length (ft)	A (in)	B (in)	Finish
20P-2000-SST	10	1 5/8	1 5/8	Polyester

*Aickinstruct pipe clamps, pipe straps, etc. not compatible with Standard profile. For compatible metallic accessories, refer to the Strut Systems section. Standard lengths of 10ft.

[Click brand for more product info](#) ↓

Slotted Heavy Duty Channel – Standard Profile*

[Cope](#)
[US Tray](#)



Part Number	Hole Diameter (in)	Length (ft)	A (in)	B (in)	Finish
20P-2200-SST	1 x 3/8	10	1 5/8	1 5/8	Polyester

*Aickinstruct pipe clamps, pipe straps, etc. not compatible with Standard profile. For compatible metallic accessories, refer to the Strut Systems section. Standard lengths of 10ft.



CONDUIT



AFC Cable Systems
Allied Tube & Conduit
Calconduit
Heritage Plastics
Kaf-Tech
Queen City Plastics

Conduit - Table of Contents

↓ [Click below to view product section](#)

- Aluminum Rigid Conduit (ARC)
- EMT Conduit
- Flexible Metal Conduit (FMC)
- Galvanized Rigid Steel Conduit (GRC)
- Intermediate Metal Conduit (IMC)
- LiquidTight Flexible Metal Conduit
- LiquidTight Flexible Non-Metallic Conduit
- PVC Conduit
- PVC Coated Conduit



ALUMINUM RIGID CONDUIT

Allied Tube & Conduit
Calconduit

Table of Contents

↓ [Click below to view product section](#)

[Aluminum Rigid Conduit](#)



Aluminum Rigid Conduit (ARC)

Click brand for more product info ↓

Aluminum Rigid Conduit (ARC)

[Allied Tube & Conduit](#)
[Calconduit](#)



Features:

- Manufactured of 6063 alloy in temper designation T-1
- Corrosion resistant Aluminum
- Light weight
- Easy installation
- Low maintenance
- Complete line of elbows and couplings
- Available in sizes 1/2 (16) – 6 (155)
- Color-coded end caps keep threads clean and sharp and help provide trade size recognition

Certifications & Compliances:

- Listed to UL Safety Standard 6A
- Certified to Canadian Standards Association Safety Standard CSA C22.2 No.45.2
- Manufactured in accordance with ANSI C80.5



Part Number	Trade Size		Outside Diameter*		Nominal Wall Thickness		Approximate Weight Per 100 ft (30.5m)		Quantity In Master Bundle	
	(in)	(mm)	(in)	(mm)	(in)	(mm)	(lb)	(kg)	(ft)	(m)
732035	1/2	16	0.84	21.34	0.104	2.64	28	12.7	2500	762.5
732036	3/4	21	1.05	26.67	0.107	2.72	37	17	2500	762.5
732302	1	27	1.315	33.4	0.126	3.2	55	24.7	2000	610
732303	1 1/4	35	1.66	42.16	0.133	3.38	72	32.5	1000	304.8
732304	1 1/2	41	1.9	48.26	0.138	3.51	89	40.2	1000	304.8
732305	2	53	2.375	60.33	0.146	3.71	119	53.8	450	137.2
732306	2 1/2	63	2.875	73.03	0.193	4.9	188	85	300	91.5
732307	3	78	3.5	88.9	0.205	5.21	246	111.7	200	61
732308	3 1/2	91	4	101.6	0.215	5.46	296	134.1	200	61
732309	4	103	4.5	114.3	0.225	5.72	350	158.9	200	61
732310	5	129	5.563	141.3	0.245	6.22	479	217.2	80	23.4
732311	6	155	6.625	168.28	0.266	6.76	635	287.8	60	18.3

All dimensions are for informational purposes only *Tolerances +/- 5%



EMT CONDUIT

Allied Tube & Conduit
Calconduit

Table of Contents

↓ Click below to view product section

E-Z Pull® EMT
Kwik-Fit® EMT
True Color™ EMT



EMT Conduit

E-Z Pull® EMT

Click brand for more
product info
[Allied Tube & Conduit](#)
[Calconduit](#)



Features:

- Manufactured from high grade mild strip steel for exceptional durability and long-lasting life
- Hot galvanized steel using patented inline Flo-Coat® process for long lasting exterior protection
- E-Z Pull® interior coating provides a smooth surface for faster wire pulling
- Excellent mechanical protection for conductors
- Ductility for faster and easier bending
- Very effective in reducing effects of EMI

Certifications & Compliances:

- Allied UL certified to Safety Standard 797
- Manufactured in accordance with ANSI C80.3
- Columbia-MBF CSA certified to Standard CSA C22.2 No. 83.1
- Listed in category FJMX
- Master bundles conform to NEMA Standard RN 2
- Recognized as an equipment grounding conductor by NEC Section 250-118 and by CEC Section 10



Part Number	Trade Size		Outside Diameter*		Nominal Wall Thickness		Approximate Weight Per 100 ft (30.5m)		Galvanized Master Bundle Quantity	
	(in)	(mm)	(in)	(mm)	(in)	(mm)	(lb)	(kg)	(ft)	(m)
898302	1/2	16	0.706	17.93	0.042	1.07	30	13.6	7000	2135
898303	3/4	21	0.922	23.42	0.049	1.24	46	20.9	5000	1525
898304	1	27	1.163	29.54	0.057	1.45	67	30.4	3000	915
101576	1 1/4	35	1.51	38.35	0.065	1.65	101	45.8	2000	610
101584	1 1/2	41	1.74	44.2	0.065	1.65	116	52.6	1500	457.5
101592	2	53	2.197	55.8	0.065	1.65	148	67.1	1200	366
101600	2 1/2	63	2.875	73.03	0.072	1.83	216	98	610	186.1
101618	3	78	3.5	88.9	0.072	1.83	263	119.3	510	155.6
101782	3 1/2	91	4	101.6	0.083	2.11	349	158.3	370	112.9
101790	4	103	4.5	114.3	0.083	2.11	393	178.3	300	91.5

* Outside diameter tolerances:

+/- .005 (in) (.13mm) for trade sizes 1/2" (16mm) through 2" (53mm)

+/- .010 (in) (.25mm) for trade sizes 2 1/2" (63mm)

+/- .015 (in) (.38mm) for trade size 3" (78mm)

+/- .020 (in) (.51mm) for trade sizes 3 1/2" (91mm) and 4" (103mm)

NOTE: Length = 10 (ft) (3.05m) with a tolerance of +/- .25 (in) (6.35 mm)

EMT Conduit

E-Z Pull® EMT

Click brand for more product info ↓
[Allied Tube & Conduit](#)
[Calconduit](#)



20' Lengths

Part Number	Trade Size		Outside Diameter*		Nominal Wall Thickness		Approximate Weight Per 100 ft (30.5m)		Galvanized Master Bundle Quantity	
	(in)	(mm)	(in)	(mm)	(in)	(mm)	(lb)	(kg)	(ft)	(m)
192825	¾	21	0.922	23.42	0.049	1.24	46	20.9	2540	774.20
192827	1¼	35	1.51	38.35	0.065	1.65	101	45.8	1220	371.85
192828	1½	41	1.74	44.2	0.065	1.65	116	52.6	740	225.55
192829	2	53	2.197	55.8	0.065	1.65	148	67.1	740	225.55
192830	2½	63	2.875	73.03	0.072	1.83	216	98	380	115.82
192831	3	78	3.5	88.9	0.072	1.83	263	119.3	380	115.82
192832	3½	91	4	101.6	0.083	2.11	349	158.3	380	115.82
192833	4	103	4.5	114.3	0.083	2.11	393	178.3	200	60.96

* Outside diameter tolerances:
 +/- .005 (in) (.13mm) for trade sizes 1/2" (16mm) through 2" (53mm)
 +/- .010 (in) (.25mm) for trade sizes 2 1/2" (63mm)
 +/- .015 (in) (.38mm) for trade size 3" (78mm)
 +/- .020 (in) (.51mm) for trade sizes 3 1/2" (91mm) and 4" (103mm)
 NOTE: Length = 20(ft) (6.1m) with a tolerance of +/- .25 (in) (6.35 mm)

EMT Conduit

Kwik-Fit® EMT

Click brand for more product info ↓
[Allied Tube & Conduit](#)



Features:

- Hot galvanized steel using patented inline Flo-Coat® process for long lasting exterior protection
- E-Z Pull® interior coating provides a smooth surface for faster wire pulling
- Integral set-screw coupling formed on one end of each length of EMT
- Fast, two step installation
- Material and Labor Savings up to 50% (will vary with job site conditions)
- No separate couplings to purchase, store, carry or install
- Excellent mechanical protection for conductors
- Ductility for faster and easier bending
- High grade mild strip steel for durability and longer life

Certifications & Compliances:

- Listed to UL Safety Standards 797 and 514-B
- Manufactured in accordance with ANSI C80.3
- Meets the requirements of section 300.22 of the NEC®



Part Number	Trade Size		Outside Diameter*		Nominal Wall Thickness		Approximate Weight Per 100 ft (30.5m)		Galvanized Master Bundle Quantity	
	(in)	(mm)	(in)	(mm)	(in)	(mm)	(lb)	(kg)	(ft)	(m)
844776	1½	41	1.74	44.2	0.065	1.65	116	52.6	720	219.5
765090	2	53	2.197	55.8	0.065	1.65	148	67.1	500	152.4
363242	2½	63	2.875	73.03	0.072	1.83	216	98	350	106.7
363275	3	78	3.5	88.9	0.072	1.83	263	119.3	300	91.4
363259	4	103	4.5	114.3	0.083	2.11	393	178.3	250	76.2

* Outside diameter tolerances:

+/- .005 (in) (.13mm) for trade sizes 1/2" (16mm) through 2" (53mm)

+/- .010 (in) (.25mm) for trade sizes 2 1/2" (63mm)

+/- .015 (in) (.38mm) for trade size 3" (78mm)

+/- .020 (in) (.51mm) for trade sizes 3 1/2" (91mm) and 4" (103mm)

NOTE: Length = 10 (ft) (3.05m) with a tolerance of +/- .25 (in) (6.35 mm)

EMT Conduit

True Color™ EMT

Click brand for more product info ↓
[Allied Tube & Conduit](#)



Features:

- Manufactured from high grade mild strip steel for exceptional durability and long-lasting life
- Hot galvanized steel using patented inline Flo-Coat® process for long lasting exterior protection
- E-Z Pull® interior coating provides a smooth raceway for fast, easier wire-pulling
- Excellent mechanical protection for conductors
- Ductility for faster and easier bending
- Optimal EMI shielding characteristics
- Available in 8 vibrant colors to provide instant identification of multiple circuit systems, without need to apply spray paints, powder coats or tapes

Certifications & Compliances:

- Listed to UL Safety Standard 797
- Manufactured in accordance with ANSI C80.3
- Listed in category FJMX
- Master bundles conform to NEMA Standard RN 2
- Recognized as an equipment grounding conductor by NEC Section 250-118

True Color™ Applications



Black

- Blends in Dark Colored Areas
- Architecture



White

- Blends in Light Colored Areas
- Architecture



Green

- Hospital and Healthcare Areas
- Nurse Call Stations



Purple

- Specialty Wiring Systems
- Security Systems



Fire Alarm

- Emergency Circuits
- Fire Alarm
- Security Systems



Blue

- Low Voltage Wiring
- Data Com / Video
- Network Security



Yellow

- High Voltage Wiring
- Caution Areas
- Special Equipment



Orange

- Construction /Research Areas
- Fiber-Optic Systems
- Auto Repair / Maintenance

EMT Conduit

True Color™ EMT

Click brand for more product info
[Allied Tube & Conduit](#)



Conduit Dimensions

Trade Size		Outside Diameter*		Nominal Wall Thickness		Approx Weight Per 100 Ft (30.5M)		True Color™ Bundle Quantity		Primary Bundle Quantity	
(in)	(mm)	(in)	(mm)	(in)	(mm)	(lb)	(kg)	(ft)	(m)	(ft)	(m)
1/2	16	0.706	17.93	0.042	1.07	30	13.6	2500	762.0	100	30.5
3/4	21	0.922	23.42	0.049	1.24	46	20.9	2000	609.6	100	30.5
1	27	1.163	29.54	0.057	1.45	67	30.4	1000	304.8	100	30.5
1 1/4	35	1.510	38.35	0.065	1.65	101	45.8	500	152.4	50	15.2
1 1/2	41	1.740	44.20	0.065	1.65	116	52.6	500	152.4	50	15.2
2	53	2.197	55.80	0.065	1.65	148	67.1	610	185.9	-	-
2 1/2	63	2.875	73.03	0.072	1.83	216	98.0	370	112.7	-	-
3	78	3.500	88.90	0.072	1.83	263	119.3	200	61.0	-	-
3 1/2	91	4.000	101.60	0.083	2.11	349	158.3	100	30.5	-	-
4	103	4.500	114.30	0.083	2.11	393	178.3	100	30.5	-	-

* +/- 0.005 (in) (.13 mm) for trade sizes 1/2" to 2"
 +/- 0.010 (in) (.25 mm) for trade sizes 2 1/2"
 +/- 0.015 (in) (.38 mm) for trade sizes 3"
 +/- 0.020 (in) (.51 mm) for trade sizes 3 1/2" & 4"
 Note: Length = 10 (ft) (3.05m) +/- .25 (in) (6.35mm)



True Color™ Part Numbers

Trade Size		Part Number							
(in)	(mm)	RED	ORANGE	YELLOW	GREEN	BLUE	PURPLE	WHITE	BLACK
1/2	16	191092	—	—	—	—	—	191152	191142
3/4	21	191093	191103	191113	191123	191133	191163	191153	191143
1	27	191094	191104	191114	191124	191134	191164	191154	191144
1 1/4	35	—	—	—	—	—	—	—	—
2	53	—	—	—	—	—	—	—	—



FLEXIBLE METAL CONDUIT (FMC)

AFC Cable Systems
Kaf-Tech

Table of Contents

↓ [Click below to view product section](#)

[Extra Flexible Conduit](#)
[Reduced Wall Aluminum Flexible Metal Conduit](#)
[Reduced Wall Flexible Steel Conduit](#)



Flexible Metal Conduit (FMC)

[Click brand for more product info](#) ↓

[AFC Cable Systems](#)
[Kaf-Tech](#)

Extra Flexible Conduit



Features:

- Non-UL Extra Flexible Steel Conduit
- High grade galvanized low carbon steel
- Interlocking design
- Corrosion resistant

Applications:

- Flexible metal raceway for specific applications where UL and other agency approvals are not required
- Motor leads

Part Number	Trade Size	Trade Size	Coil Length	Reel Length	Approx. Weight per 100 Ft	Internal Diameter	External Diameter	Bend Radius
	(in)	(mm)	(ft)	(in)	(lb)	min/max (in)	min/max (in)	(in)
5203-30-00	1/2	16	100	—	16	0.625/0.645	0.860/0.920	3
5204-30-00	3/4	21	100	—	21	0.812/0.835	1.045/1.105	4

All dimensions are for informational purposes only *Tolerances +/- 5%

Flexible Metal Conduit (FMC)

[Click brand for more product info](#) ↓

Reduced Wall Aluminum Flexible Metal Conduit

[AFC Cable Systems](#)
[Kaf-Tech](#)



Features:

- Lightweight Reduced Wall Aluminum Flexible Conduit
- Premium aluminum alloy
- Interlocking design

Certifications & Compliances:

- UL 1, UL 1479, File Reference E11831, CSA File Number 15035, CSA C22.2 No. 56 (trade size 3/8 only)
- Federal Specification WW-C-566C, (now superseded by UL 1)
- NEC® 250.118(5), 300.22(C), 348, 430.223, 501.10(B)(2), 645.5
- Cable Tray installations per NEC®
- Environmental Air-Handling space installation NEC® 300.22(C)
- UL Classified 1, 2 and 3-hour Through-Penetration Fire Systems UL File R14141

Applications:

- Flexible metal raceway for electrical power, control and communication cables
- Motor leads
- Listed assemblies
- Listed wire fixtures
- Manufactured wiring systems



Part Number	Trade Size	Trade Size	Coil Length	Reel Length	Approx. Weight per 100 Ft	Internal Diameter	External Diameter	Bend Radius
	(in)	(mm)	(ft)	(in)		min/max (in)	min/max (in)	
5601-30-00*	3/8	12	100	—	6	0.375 / 0.393	0.560 / 0.610	2
5602-24-00	1/2	16	50	—	10	0.625 / 0.645	0.860 / 0.920	3
5602-30-00	1/2	16	100	—	10	0.625 / 0.645	0.860 / 0.920	3
5602-45-00	1/2	16	—	500	10	0.625 / 0.645	0.860 / 0.920	3
5602-60-00	1/2	16	—	1000	10	0.620 / 0.645	0.860 / 0.920	3
5603-24-00	3/4	21	50	—	12	0.812 / 0.835	1.045 / 1.105	4
5603-30-00	3/4	21	100	—	12	0.812 / 0.835	1.045 / 1.105	4
5603-45-00	3/4	21	—	500	12	0.812 / 0.835	1.045 / 1.105	4
5603-60-00	3/4	21	—	1000	12	0.812 / 0.835	1.045 / 1.105	4
5604-24-00	1	27	50	—	18	1.000 / 1.040	1.300 / 1.380	5
5604-80-00	1	27	—	300	18	1.000 / 1.040	1.300 / 1.380	5
5605-24-00	1 1/4	35	50	—	22	1.250 / 1.300	1.550 / 1.630	6.25
5605-40-00	1 1/4	35	—	200	22	1.250 / 1.300	1.550 / 1.630	6.25
5606-22-00	1 1/2	41	25	—	26	1.500 / 1.575	1.850 / 1.950	7.5
5606-80-00	1 1/2	41	—	300	26	1.500 / 1.575	1.850 / 1.950	7.5

Table continued on next page

Flexible Metal Conduit (FMC)

Reduced Wall Aluminum Flexible Metal Conduit

Click brand for more product info ↓

[AFC Cable Systems](#)
[Kaf-Tech](#)



Part Number	Trade Size		Coil Length	Reel Length	Approx. Weight per 100 Ft	Internal Diameter	External Diameter	Bend Radius
	(in)	(mm)						
5607-22-00	2	53	25	—	35	2.000 / 2.080	2.350 / 2.450	10
5607-30-00	2	53	—	100	35	2.000 / 2.080	2.350 / 2.450	10
5607-35-00	2	53	—	150	35	2.000 / 2.080	2.350 / 2.450	10
5608-22-00	2½	63	25	—	57	2.500 / —	2.860 / 3.060	12.5
5609-22-00	3	78	25	—	68	3.000 / —	3.360 / 3.560	15
5609-30-00	3	78	—	100	68	3.000 / —	3.360 / 3.560	15
5610-22-00	3½	91	25	—	80	3.500 / —	3.860 / 4.060	17.5
5611-22-00	4	103	25	—	91	4.000 / —	4.360 / 4.560	20
5611-30-00	4	103	—	100	90	4.000 / —	4.360 / 4.560	20

All dimensions are for informational purposes only *Tolerances +/- 5%

Flexible Metal Conduit (FMC)

[Click brand for more product info](#) ↓

Reduced Wall Flexible Steel Conduit

[AFC Cable Systems](#)
[Kaf-Tech](#)



Features:

- Reduced Wall Flexible Steel Conduit
- High grade hot dipped zinc galvanized low carbon steel
- Interlocking design
- Corrosion resistant

Applications:

- Flexible metal raceway for electrical power, control and communication cables
- Motor leads
- Listed assemblies
- Listed wire fixtures
- Manufactured wiring systems

Certifications & Compliances:

- UL 1, UL 1479, File Reference E11831, CSA File Number 15035, CSA C22.2 No. 56 (trade size 3/8 only)
- Federal Specification WW-C-566C, (now superseded by UL 1)
- NEC® 250.118(5), 300.22(C), 348, 430.223, 501.10(B)(2), 645.5
- Cable Tray installations per NEC®
- Environmental Air-Handling space installation NEC® 300.22(C)
- UL Classified 1, 2 and 3-hour Through-Penetration Fire Systems UL File R14141



Part Number	Trade Size	Trade Size	Coil Length	Reel Length	Approx. Weight per 100 Ft	Internal Diameter	External Diameter	Bend Radius
	(in)	(mm)						
5501-30-00	3/8	12	100	—	17	0.375/0.393	0.560/0.610	2
5502-24-00	1/2	16	50	—	27	0.625/0.645	0.860/0.920	3
5502-30-00	1/2	16	100	—	27	0.625/0.645	0.860/0.920	3
5502-45-00	1/2	16	—	500	27	0.625/0.645	0.860/0.920	3
5502-60-00	1/2	16	—	1000	27	0.625/0.645	0.860/0.920	3
5503-24-00	3/4	21	50	—	35	0.812/0.835	1.045/1.105	4
5503-30-00	3/4	21	100	—	35	0.812/0.835	1.045/1.105	4
5503-45-00	3/4	21	—	500	35	0.812/0.835	1.045/1.105	4
5503-60-00	3/4	21	—	1000	35	0.812/0.835	1.045/1.105	4
5504-24-00	1	27	50	—	51	1.000/1.040	1.300/1.380	5
5504-80-00	1	27	—	300	51	1.000/1.040	1.300/1.380	5
5505-24-00	1 1/4	35	50	—	63	1.250/1.300	1.550/1.630	6.2
5505-40-00	1 1/4	35	—	200	63	1.250/1.300	1.550/1.630	6.2
5506-22-00	1 1/2	41	25	—	76	1.500/1.575	1.850/1.950	7.5

Table continued on next page

Flexible Metal Conduit (FMC)

Reduced Wall Flexible Steel Conduit

Click brand for more product info ↓

[AFC Cable Systems](#)
[Kaf-Tech](#)



Part Number	Trade Size	Trade Size	Coil Length	Reel Length	Approx. Weight per 100 Ft	Internal Diameter	External Diameter	Bend Radius
	(in)	(mm)	(ft)	(in)	(lb)	min/max (in)	min/max (in)	(in)
5506-80-00	1½	41	—	300	76	1.500 / 1.575	1.850 / 1.950	7.5
5507-22-00	2	53	25	—	100	2.000 / 2.080	2.350 / 2.450	10.0
5507-35-00	2	53	—	150	100	2.000 / 2.080	2.350 / 2.450	10.0
5508-22-00	2½	63	25	—	165	2.500 / —	2.860 / 3.060	12.5
5509-22-00	3	78	25	—	197	3.000 / —	3.360 / 3.560	15.0
5509-30-00	3	78	—	100	197	3.000 / —	3.360 / 3.560	15.0
5510-22-00	3½	91	25	—	230	3.500 / —	3.860 / 4.060	17.5
5510-30-00	3½	91	—	100	230	3.500 / —	3.860 / 4.060	20.0
5511-22-00	4	103	25	—	263	4.000 / —	4.360 / 4.560	20.0
5511-30-00	4	103	—	100	263	4.000 / —	4.360 / 4.560	20.0

All dimensions are for informational purposes only *Tolerances +/- 5%



GALVANIZED RIGID STEEL CONDUIT (GRC)

Allied Tube & Conduit
Calconduit

Table of Contents

↓ [Click below to view product section](#)

Galvanized Rigid Conduit (GRC)
Super Kwik-Couple® GRC Raintight



Galvanized Rigid Steel Conduit (GRC)

Galvanized Rigid Conduit (GRC)

Click brand for more product info ↓
[Allied Tube & Conduit](#)
[Calconduit](#)



Features:

- Manufactured from mild steel
- Hot-dip galvanized for excellent corrosion resistance
- High strength ductile steel for long life and easy bending
- Smooth, continuous raceways for fast wire pulling
- Kwik-Release End Cap to protect threads
- True Color™ GRC special orders available
- Very effective in reducing the effects of EMI
- Threaded on both ends, with a coupling applied to one end and a thread protector to the other
- Suitable for direct burial applications

- Covered by article 344 of the NEC
- Class I Division 1 hazardous locations
- Recognized as an equipment grounding conductor in Section 250.118 of the NEC and CEC Section 10
- NEMA RN 3 Standard

Applications:

- Encased power distribution circuits
- Shielding computers and other sensitive electronic equipment from the effects of electromagnetic interference

Certifications & Compliances:

- Listed to Safety Standard UL 6
- Manufactured in accordance with ANSI C80.1



Part Number	Trade Size	Trade Size	Outside Diameter*		Nominal Wall Thickness**		Approx Weight Per 100 ft (30.5M)		Master Bundle Quantity	
	(in)	(mm)	(in)	(mm)	(in)	(mm)	(lb)	(kg)	(ft)	(m)
278879	½	16	0.840	21.34	0.104	2.64	82	37.2	2500	762.5
278887	¾	21	1.050	26.67	0.107	2.72	109	49.4	2000	610
278895	1	27	1.315	33.40	0.126	3.20	161	73.0	1250	381.3
278903	1¼	35	1.660	42.16	0.133	3.38	218	98.9	900	274.5
278911	1½	41	1.900	48.26	0.138	3.51	263	119.3	800	244
278929	2	53	2.375	60.33	0.146	3.71	350	158.8	600	183
278937	2½	63	2.875	73.03	0.193	4.90	559	253.6	370	112.9
278945	3	78	3.500	88.90	0.205	5.21	727	329.8	300	91.5
278952	3½	91	4.000	101.60	0.215	5.46	880	399.2	250	76.3
278960	4	103	4.500	114.30	0.225	5.72	1030	467.2	200	61
278978	5	129	5.563	141.30	0.245	6.22	1520	689.5	150	45.8
278986	6	155	6.625	168.28	0.266	6.76	1785	809.7	100	30.5

*Tolerances: trade size 1/2 to 1-1/2: ±0.015 (0.38mm); TRADE SIZE 2-6: ±1%
 Length equals 10 ft. (3.05m) with a tolerance of +/- .25 In. (6.35mm)

** For information only. Not a requirement of the UL Standard.

Galvanized Rigid Steel Conduit (GRC)

Super Kwik-Couple® GRC Raintight

Click brand for more product info ↓
[Allied Tube & Conduit](#)



Features:

- Manufactured from mild steel
- Hot-dip galvanized inside and out providing galvanic corrosion protection
- Highly resistant to damage from impact yet ductile to facilitate bending
- Patented design to connect both threaded and unthreaded conduit
- Color-coded end cap thread protectors keep the threads clean, sharp and also provide instant trade size recognition
- Fastest installation times
- UL listed for wet and dry locations
- Blue colored coupling design allows inspectors to easily identify wet location approval
- Even connect to EMT and PVC
- Eliminates the need for field threading
- Coupling design allows for easy installation in compact areas
- Extremely effective in reducing the effects of EMI
- Super Kwik-Couple® GRC also available in a dry version
- Suitable for direct burial applications

Certifications & Compliances:

- Listed to Safety Standard UL 6 and 514B
- Manufactured in accordance with ANSI C80.1
- Permitted for use in Class I Division 2 locations per section 501.10(B)(1) of the NEC
- Covered by article 344 of the NEC
- Recognized as an equipment grounding conductor in Section 250.118 of the NEC and CEC Section 10

Applications:

- Encased power distribution circuits
- Shielding computers and other sensitive electronic equipment from the effects of electromagnetic interference



Part Number	Trade Size	Trade Size	Outside Diameter*		Nominal Wall Thickness**		Approx Weight Per 100 ft (30.5M)		Master Bundle Quantity	
	(in)	(mm)	(in)	(mm)	(in)	(mm)	(lb)	(kg)	(ft)	(m)
921353	1/2	16	0.840	21.34	0.104	2.64	83	37.6	1600	487.8
921354	3/4	21	1.050	26.67	0.107	2.72	110	49.9	1260	384.1
921355	1	27	1.315	33.40	0.126	3.20	162	73.5	840	256.1
921357	1 1/4	35	1.660	42.16	0.133	3.38	220	99.8	700	213.4
921359	1 1/2	41	1.900	48.26	0.138	3.51	265	120.2	600	182.9
921361	2	53	2.375	60.33	0.146	3.71	351	159.2	450	137.2
921364	3	78	3.500	88.90	0.205	5.21	726	329.3	300	91.5

*Tolerances: trade size 1/2" to 1 1/2" ±0.015" (0.38mm); trade size 2-5: ±1%

**For information only. Not a requirement of the UL Standard.



INTERMEDIATE METAL CONDUIT (IMC)

Allied Tube & Conduit

Table of Contents

↓ [Click below to view product section](#)

[Intermediate Metal Conduit \(IMC\)](#)
[Super Kwik-Couple® IMC](#)



Intermediate Metal Conduit (IMC)

[Click brand for more product info](#) ↓

Intermediate Metal Conduit (IMC)

[Allied Tube & Conduit](#)



Features:

- Manufactured from premium, work hardened steel
- Hot galvanized exterior using patented inline Flo-Coat process
- Increased corrosion resistance and protection against white rust
- Interior coating creates a smooth, continuous raceway for fast wire-pulling
- Combines electrical and mechanical performance with ductility
- Resistant to impact and easy to cut, bend and join for smooth, continuous raceways
- Weighs one-third less than rigid conduit
- Saves up to 30% in cost over rigid conduit
- Larger internal diameter than rigid conduit to allow for easier fishing and wire-pulling
- Provides excellent shielding from electromagnetic fields
- Color-coded end-cap thread protectors keep the threads clean and sharp, and also help to provide instant trade size recognition
- True Color™ IMC special orders available

Certifications & Compliances:

- Listed to Safety Standard UL 1242
- Manufactured in accordance with ANSI C80.6
- Covered by article 342 of the NEC
- Recognized as an equipment grounding conductor in Section 250 of the NEC
- Suitable for Class I, Division I hazardous locations

Applications:

- Electrical raceway systems
- Encased power distribution circuits
- Shielding computers and other sensitive electronic equipment from the effects of electromagnetic interference

Intermediate Metal Conduit (IMC)

Click brand for more product info ↓

Intermediate Metal Conduit (IMC)

[Allied Tube & Conduit](#)



Part Number	Trade Size	Metric Designator	Average Outside Diameter*		Average Wall Thickness**		Approx Weight Per 100 Ft (30.5m)		Quantity In Master Bundle	
	(in)	(mm)	(in)	(mm)	(in)	(mm)	(lb)	(kg)	(ft)	(m)
358192	½	16	0.815	20.700	0.070	1.79	62	28.1	3500	1067.5
358184	¾	21	1.029	26.130	0.075	1.90	84	38.1	2500	762.5
358176	1	27	1.290	32.760	0.085	2.16	119	54	1700	518.5
358119	1¼	35	1.638	41.600	0.085	2.16	158	71.7	1350	411.8
358101	1½	41	1.883	47.820	0.090	2.29	194	88	1100	335.5
358168	2	53	2.360	59.940	0.095	2.41	256	116.1	800	244
358150	2½	63	2.857	72.560	0.140	3.56	441	200	370	112.9
358143	3	78	3.476	88.290	0.140	3.56	543	246.3	300	91.5
358069	3½	91	3.971	100.860	0.140	3.56	629	285.3	240	73.2
358051	4	103	4.466	113.430	0.140	3.56	700	317.5	240	73.2

*Outside diameter tolerances:

+/- .005 (in) (.13mm) for trade sizes 1/2" (16mm) through 1" (25mm)

+/- .0075 (in) (.19mm) for trade sizes 1-1/4" (36mm) through 2" (53mm)

+/- 0.10 (in) (.25mm) for trade sizes 2-1/2" (63mm) through 4" (103mm)

**Wall thickness tolerances:

+ 0.15 (in) (.38mm) and - .000 for trade sizes 1/2" (13mm) through 2" (53mm)

+ 0.20 (in) (.51mm) and - .000 for trade sizes 2-1/2" (63mm) through 4" (103mm)

Note: length = 10 (ft) (3.05m) with a tolerance of +/- .25 (in) (6.35mm)

Intermediate Metal Conduit (IMC)

Super Kwik-Couple® IMC

Click brand for more product info ↓

Allied Tube & Conduit



Certifications & Compliances:

- Listed to Safety Standards UL 1242 and UL 514B
- Manufactured in accordance with ANSI C80.6

Part Number	Trade Size	Metric Designator	Average Outside Diameter*		Average Wall Thickness**		Approx Weight Per 100 Ft (30.5m)		Quantity In Master Bundle	
	(in)	(mm)	(in)	(mm)	(in)	(mm)	(lb)	(kg)	(ft)	(m)
905637	4	103	4.466	113.43	0.14	3.56	706	320.2	200	61



LIQUIDTIGHT FLEXIBLE METAL CONDUIT

AFC Cable Systems
Kaf-Tech

Table of Contents

↓ [Click below to view product section](#)

[Non-UL Extreme Temperature Liquidtight Flexible Metal Conduit](#)
[Non-UL Liquidtight VF Flexible Steel Conduit](#)
[Stainless Steel Clear PVC Coated Flexible Conduit](#)
[Stainless Steel Gray PVC Coated Flexible Conduit](#)
[UL Computer Blue Liquidtight Flexible Metal Conduit - Type LFMC](#)
[UL Liquidtight Flexible Steel Conduit - Type LFMC](#)



Liquidtight Flexible Metal Conduit

[Click brand for more product info](#) ↓

Non-UL Extreme Temperature Liquidtight Flexible Metal Conduit

[AFC Cable Systems](#)
[Kaf-Tech](#)



Features:

- Designed for use where operation at high temperature is required
- Temperature Rating: 150°C (302°F) dry - continuous use, 70°C oily/wet
- High quality thermoplastic rubber (TPR) jacket - Black
- Hot dipped zinc galvanized low carbon steel core
- Jacket is extruded directly over interlocked very flexible steel core
- Jacket material is halogen-free
- Oil and ozone resistant
- Superior flexibility (convolutions of the interlock shall be filled with a fibrous material designed to promote flexibility)
- Ability to withstand extremes in temperature
- Outer surface of the jacket shall be clearly marked with the applicable print legend
- Designed to be used for specific applications where UL or other agency approvals are not required
- Separate grounding conductor is required for all trade sizes

Certifications & Compliances:

- Meets ASTM@ D746 low temperature brittle point -60°/-76°F
- 720-Hour Xenon-Arc sunlight/weather resistance - ASTM D2565 and ASTM G155

Applications:

- For locations requiring mechanical protection for conductors
- Industrial applications
- Indoor or outdoor locations

Part Number	Trade Size	Trade Size	Coil Length	Reel Length	Approx. Weight/100 Ft	External Diameter Over Jacket Min/Max	Internal Diameter Min/Max	Bend Radius
	(in)	(mm)	(ft)	(ft)	(lb)	(in)	(in)	(in)
6802-30-00	1/2	16	100	—	23	0.820 /0.840	0.622 /0.642	3.25
6803-30-00	3/4	21	100	—	29	1.030 /1.050	0.820 /0.840	4.25

Note: all dimensions and weights are subject to normal manufacturing tolerances. Not for grounding.

Liquidtight Flexible Metal Conduit

[Click brand for more product info](#) ↓

[AFC Cable Systems](#)
[Kaf-Tech](#)

Non-UL Liquidtight VF Flexible Steel Conduit



Features:

- Liquidtight, flexible steel conduit, Type VF core, formed into interlocked steel conduit from a zinc coated galvanized low carbon steel strip
- Rugged PVC jacket extruded directly over interlocked flexible steel core
- Temperature Rating: 60°C to -20°C dry, 60°C wet, 60°C oil-resistant
- Flame retardant polyvinyl chloride (PVC) jacket - Grey
- Hot dipped zinc galvanized low carbon steel core
- Moisture resistant
- Oil resistant
- Sunlight resistant
- Very flexible (convolutions of the interlock shall be filled with a fibrous material designed to promote flexibility)
- Outer surface of the jacket shall be clearly marked with the applicable print legend

Certifications & Compliances:

- Non-UL

Applications:

- For locations requiring vibration and movement absorption
- For locations requiring mechanical and moisture protection for conductors

Liquidtight Flexible Metal Conduit

Non-UL Liquidtight VF Flexible Steel Conduit

Click brand for more product info ↓

[AFC Cable Systems](#)
[Kaf-Tech](#)

Part Number	Trade Size	Trade Size	Coil Length	Reel Length	Approx. Weight/100 Ft	External Diameter Over Conduit Min/Max	External Diameter Over Jacket Min/Max	Internal Diameter Min/Max	Bend Radius
	(in)	(mm)	(ft)	(ft)	(lb)	(in)	(in)	(in)	(in)
6101-30-00	3/8	12	100	—	22	0.594 / 0.614	0.690 / 0.710	0.484 / 0.504	2.00
6102-30-00	1/2	16	100	—	26	0.732 / 0.765	0.820 / 0.840	0.622 / 0.642	3.25
6102-45-00	1/2	16	—	500	26	0.732 / 0.765	0.820 / 0.840	0.622 / 0.642	3.25
6102-60-00	1/2	16	—	1000	26	0.732 / 0.765	0.820 / 0.840	0.622 / 0.642	3.25
6103-30-00	3/4	21	100	—	33	0.930 / 0.960	1.030 / 1.050	0.820 / 0.840	4.25
6103-45-00	3/4	21	—	500	33	0.930 / 0.960	1.030 / 1.050	0.820 / 0.840	4.25
6103-60-00	3/4	21	—	1000	33	0.930 / 0.960	1.030 / 1.050	0.820 / 0.840	4.25
6104-30-00	1	27	100	—	45	1.201 / 1.226	1.290 / 1.315	1.041 / 1.066	6.50
6104-41-00	1	27	—	400	45	1.201 / 1.226	1.290 / 1.315	1.041 / 1.066	6.50
6105-24-00	1 1/4	35	50	—	60	1.540 / 1.570	1.630 / 1.660	1.380 / 1.410	8.00
6105-40-00	1 1/4	35	—	200	60	1.540 / 1.570	1.630 / 1.660	1.380 / 1.410	8.00
6106-24-00	1 1/2	41	50	—	90	1.735 / 1.770	1.865 / 1.900	1.575 / 1.600	9.00
6106-35-00	1 1/2	41	—	150	90	1.735 / 1.770	1.865 / 1.900	1.575 / 1.600	9.00
6107-24-00	2	53	50	—	120	2.180 / 2.215	2.340 / 2.375	2.020 / 2.045	11.12
6107-30-00	2	53	—	100	120	2.180 / 2.215	2.340 / 2.375	2.020 / 2.045	11.12
6107-80-00	2	53	—	300	120	2.180 / 2.215	2.340 / 2.375	2.020 / 2.045	11.12
6108-22-00	2 1/2	63	25	—	121	2.640 / 2.675	2.840 / 2.875	2.480 / 2.505	14.62
6108-79-00	2 1/2	63	—	275	121	2.640 / 2.675	2.840 / 2.875	2.480 / 2.505	14.62
6109-22-00	3	78	25	—	145	3.295 / 3.335	3.460 / 3.500	3.070 / 3.100	17.50
6109-30-00	3	78	—	100	145	3.295 / 3.335	3.460 / 3.500	3.070 / 3.100	17.50
6120-22-00	3 1/2	91	25	—	200	3.720 / 3.789	3.960 / 4.000	3.500 / 3.540	20.00
6110-22-00	4	103	25	—	250	4.220 / 4.280	4.460 / 4.500	4.000 / 4.040	24.00

Liquidtight Flexible Metal Conduit

Click brand for more product info ↓

Stainless Steel Clear PVC Coated Flexible Conduit

[Calbrite](#)



Features:

- PVC coated jacket extruded over 316 stainless steel core
- Provides greater resistance to a wide range of corrosion, oils, greases, and contaminants
- Clear coating allows for visibility of the stainless core in the corrosive environment
- Extremely flexible and durable, with smooth interior ease of installation and wire pull-through
- Interlock (double buckle) style
- Approx. temperature rating of 0°F to 275°F (PVC Coating)
- Approved for damp locations when used with Calbrite Flex Connectors
- Manufactured in 25' coils

Certifications & Compliances:

- NEMA 4X approved

Applications:

- Protection of electronic and electrical wires and cable
- Suitable for corrosive environments, including pumps, motors, HVAC systems, machine tools, electrical housings, and cabinetry
- Good absorption of motion and vibration

Part Number	Trade Size	Outside Diameter	Inside Diameter	Bend Radius	Weight per 25' Coil
	(in)	(in)	(in)	(in)	(lb)
S60500CTCC	½	0.840	0.650	4.5	6.25

All dimensions are for informational purposes only *Tolerances +/- 5%

Liquidtight Flexible Metal Conduit

Click brand for more product info ↓

Stainless Steel Gray PVC Coated Flexible Conduit

[Calbrite](#)



Features:

- PVC coated jacket extruded over 316 stainless steel core
- Provides greater resistance to a wide range of corrosion, oils, greases, and contaminants
- Extremely flexible and durable, with smooth interior ease of installation and wire pull-through
- Interlock (double buckle) style
- Approx. temperature rating of 0°F to 275°F (PVC Coating)
- Approved for damp locations when used with Calbrite Flex Connectors
- Manufactured in 25' coils

Certifications & Compliances:

- NEMA 4X approved

Applications:

- Protection of electronic and electrical wires and cable
- Suitable for corrosive environments, including pumps, motors, HVAC systems, machine tools, electrical housings, and cabinetry
- Good absorption of motion and vibration

Part Number	Trade Size	Outside Diameter	Inside Diameter	Bend Radius	Weight per 25' Coil
	(in)	(in)	(in)	(in)	(lb)
S60500CTFC	1/2	0.840	0.650	4.5	6.25
S60700CTFC	3/4	1.050	0.840	6.0	9.25

All dimensions are for informational purposes only *Tolerances +/- 5%

Liquidtight Flexible Metal Conduit

Click brand for more product info ↓

UL Computer Blue Liquidtight Flexible Metal Conduit – Type LFMC

[AFC Cable Systems](#)
[Kaf-Tech](#)



Features:

- UL bonded strip 3/8" – 1/4" for grounding
- UL Liquidtight all sizes
- Hot dipped zinc galvanized low carbon steel core
- Flame retardant polyvinyl chloride (PVC) jacket – Blue
- Sunlight resistant
- Temperature Rating: 80°C to -30°C dry, 60°C wet, 70°C oil-resistant
- Permanent circuit ground protection provided through continuous bonding strip built into conduit core in sizes 3/8" through 1/4"

Certifications & Compliances:

- UL 360, File Reference E26540
- CSA LL51593, CSA C22.2 Number 56
- NEC® 250.118(6), 350.60, 390.15, 501.10(B)(2), 502.10(A)(2), 503.10(A)(2), 511.7(A)(1), 620.21(A)(d), 645.5(D)(2), 680.21, 680.42, 695.6(E), 695.14(E)
- CEC Part I Clause 12-1300
- UL approved for use in direct burial applications including concrete and earth burial (Sizes 3/8" through 4")
- Separate grounding conductor required per NEC® 350.60 for trade sizes 1 1/2" and larger
- CEC requires grounding conductor for all trade sizes
- Surface of outer jacket must be clearly marked with legible print legend in compliance with UL 360 and CSA C22.2 No. 56



Part Number	Trade Size	Trade Size	Coil Length	Reel Length	Approx. Weight/100 Ft	External Diameter Over Conduit Min/Max	External Diameter Over Jacket Min/Max	Internal Diameter Min/Max	Bend Radius
	(in)	(mm)	(ft)	(ft)	(lb)	(in)	(in)	(in)	(in)
6402-30-00	1/2	16	100	—	31	0.732/0.765	0.820/0.840	0.622/0.642	3.25

Liquidtight Flexible Metal Conduit

[Click brand for more product info](#) ↓

UL Liquidtight Flexible Steel Conduit - Type LFMC

[AFC Cable Systems](#)
[Kaf-Tech](#)



Features:

- UL bonded strip 3/8" – 1/4" for grounding
- UL Liquidtight all sizes
- Hot dipped zinc galvanized low carbon steel core
- Liquidtight Flexible Steel Conduit formed from zinc coated galvanized low carbon steel strip
- Flame retardant polyvinyl chloride (PVC) jacket - available in Grey, Black, Red, Orange, Yellow or Green
- Moisture resistant
- Oil resistant
- Sunlight resistant
- Rugged PVC jacket applied directly over the flexible metal conduit
- Temperature Rating: 80°C to -30°C dry, 60°C wet, 70°C oil-resistant
- Permanent circuit ground protection provided through continuous bonding strip built into conduit core in sizes 3/8" through 1/4"

Certifications & Compliances:

- UL 360, File Reference E26540
- CSA Certified File LL51593, CSA C22.2 Number 56
- NEC® 250.118(6), 350.60, 390.15, 501.10(B)(2), 502.10(A)(2), 503.10(A)(2), 511.7(A)(1), 620.21(A)(d), 645.5(D)(2), 680.21, 680.42, 695.6(E), 695.14(E)
- CEC Part I Clause 12-1300
- UL approved for use in direct burial applications including concrete and earth burial (Sizes 3/8" through 4")
- Conduit in sizes 1 1/2" and larger requires grounding conductor per NEC® 350.60
- Separate grounding conductor required by NEC® for trade sizes 1 1/2" and larger
- CEC requires grounding conductor for all trade sizes
- Surface of outer jacket must be clearly marked with legible print legend in compliance with UL 360 and CSA C22.2 No. 56

Applications:

- Wet Locations
- Direct burial in earth
- Concrete embedment
- Sunlight and weather exposure
- Hazardous location per NEC® 501
- Installed under raised computer room floors per NEC® 645.5(D)
- Service entrance wiring up to 6 feet per NEC® 230.43(15)
- Feeders and services for marina and boat yards

Liquidtight Flexible Metal Conduit

UL Liquidtight Flexible Steel Conduit - Type LFMC

Click brand for more product info ↓

[AFC Cable Systems](#)
[Kaf-Tech](#)



Part Number	Trade Size	Trade Size	Coil Length	Reel Length	Approx. Weight/100 Ft	External Diameter Over Conduit Min/Max	External Diameter Over Jacket Min/Max	Internal Diameter Min/Max	Bend Radius
	(in)	(mm)							
6201-30-00	3/8	12	100	—	24	0.594 / 0.614	0.690 / 0.710	0.484 / 0.504	2.00
6201-60-00	3/8	12	—	1000	24	0.594 / 0.614	0.690 / 0.710	0.484 / 0.504	2.00
6202-30-00	1/2	16	100	—	31	0.732 / 0.765	0.820 / 0.840	0.622 / 0.642	3.25
6202-45-00	1/2	16	—	500	31	0.732 / 0.765	0.820 / 0.840	0.622 / 0.642	3.25
6202-60-00	1/2	16	—	1000	31	0.732 / 0.765	0.820 / 0.840	0.622 / 0.642	3.25
6203-30-00	3/4	21	100	—	49	0.930 / 0.960	1.030 / 1.050	0.820 / 0.840	4.25
6203-45-00	3/4	21	—	500	49	0.930 / 0.960	1.030 / 1.050	0.820 / 0.840	4.25
6203-60-00	3/4	21	—	1000	49	0.930 / 0.960	1.030 / 1.050	0.820 / 0.840	4.25
6204-30-00	1	27	100	—	79	1.201 / 1.226	1.290 / 1.315	1.041 / 1.066	6.50
6204-41-00	1	27	—	400	79	1.201 / 1.226	1.290 / 1.315	1.041 / 1.066	6.50
6205-24-00	1 1/4	35	50	—	103	1.540 / 1.570	1.630 / 1.660	1.380 / 1.410	8.00
6205-40-00	1 1/4	35	—	200	103	1.540 / 1.570	1.630 / 1.660	1.380 / 1.410	8.00
6206-24-00	1 1/2	41	50	—	109	1.735 / 1.770	1.865 / 1.900	1.575 / 1.600	9.00
6206-35-00	1 1/2	41	—	150	109	1.735 / 1.770	1.865 / 1.900	1.575 / 1.600	9.00
6207-24-00	2	53	50	—	146	2.180 / 2.215	2.340 / 2.375	2.020 / 2.045	11.12
6207-80-00	2	53	—	300	146	2.180 / 2.215	2.340 / 2.375	2.020 / 2.045	11.12
6208-22-00	2 1/2	63	25	—	169	2.640 / 2.675	2.840 / 2.875	2.480 / 2.505	14.62
6209-22-00	3	78	25	—	195	3.295 / 3.335	3.460 / 3.500	3.070 / 3.100	17.50
6209-30-00	3	78	—	100	195	3.295 / 3.335	3.460 / 3.500	3.070 / 3.100	17.50
6209-56-00	3	78	—	175	195	3.295 / 3.335	3.460 / 3.500	3.070 / 3.100	17.50
6220-22-00	3 1/2	91	25	—	230	3.720 / 3.789	3.960 / 4.000	3.500 / 3.540	20.00
6210-22-00	4	103	25	—	250	4.220 / 4.280	4.460 / 4.500	4.000 / 4.040	24.00
6210-30-00	4	103	—	100	250	4.220 / 4.280	4.460 / 4.500	4.000 / 4.040	24.00
BLACK									
6202-30-BK	1/2	16	100	—	31	0.732 / 0.765	0.820 / 0.840	0.622 / 0.642	3.25
6202-60-BK	1/2	16	—	1000	31	0.732 / 0.765	0.820 / 0.840	0.622 / 0.642	3.25
6203-60-BK	3/4	21	—	1000	49	0.930 / 0.960	1.030 / 1.050	0.820 / 0.840	4.25

Note: All dimensions and weights are subject to normal manufacturing tolerances.
Review NEC® 350.60 and 250.118 (6) for grounding requirements, conduit sizes 1 1/2" and larger.

† Minimum order quantity required.

* Non-stocking item



LIQUIDTIGHT FLEXIBLE NON-METALLIC CONDUIT

AFC Cable Systems
Kaf-Tech

Table of Contents

↓ [Click below to view product section](#)

[Flexible Non-Metallic Conduit Type LFNC-B](#)
[Ultraflex Liquidtight Flexible Conduit](#)



Liquidtight Flexible Non-Metallic Conduit

Click brand for more product info ↓

Flexible Non-Metallic Conduit Type LFNC-B

[AFC Cable Systems](#)
[Kaf-Tech](#)



Features:

- Rugged non-metallic polyvinyl chloride (PVC)
- Interior integral reinforced member within conduit wall
- Rigid PVC spiral core for strength
- Sunlight resistant
- Oil resistant
- Non-conductive raceway
- Available in long length reels in sizes 1/2" to 1"

Certifications & Compliances:

- UL Listed
- Integral Type B construction per NEC® 356.2(2)
- Meets all performance requirements contained in UL 1660
- A separate Grounding conductor is required by both the NEC and the CEC for all trade sizes
- Surface of outer jacket must be clearly marked with legible print legend in compliance with UL 1660

Applications:

- Hazardous locations where Flexible Connections are required per NEC 501.10(B)(2)(4), 502.10(A)(2)(3), 502.10(B)(1)(1), 502.10(B)(2), 503.10(A)(3)(3), 503.10(B), 504.20
- 3/8" through 2" rated for direct burial and poured concrete
- Industrial and commercial applications
- Indoor or outdoor locations
- Suitable for pool and spa use
- Air conditioning and HVAC units



Part Number	Trade Size	Trade Size	Coil Length	Reel Length	Approx. Weight/100 Ft	Internal Diameter Min/Max	External Diameter Min/Max	Bend Radius
	(in)	(mm)						
6002-30-00	1/2	16	100	—	13	0.622 / 0.642	0.820 / 0.840	3.25
6002-45-00	1/2	16	—	500	13	0.622 / 0.642	0.820 / 0.840	3.25
6002-60-00	1/2	16	—	1000	13	0.622 / 0.642	0.820 / 0.840	3.25
6003-30-00	3/4	21	100	—	18	0.820 / 0.840	1.030 / 1.050	4.25
6003-45-00	3/4	21	—	500	18	0.820 / 0.840	1.030 / 1.050	4.25
6003-46-00	3/4	21	—	700	18	0.820 / 0.840	1.030 / 1.050	4.25
6003-60-00	3/4	21	—	1000	18	0.820 / 0.840	1.030 / 1.050	4.25
6004-30-00	1	27	100	—	27	1.041 / 1.066	1.290 / 1.315	6.5
6004-45-00	1	27	—	500	27	1.041 / 1.066	1.290 / 1.315	6.5
6005-24-00	1 1/4	35	50	—	35	1.380 / 1.410	1.630 / 1.660	8.0
6005-30-00	1 1/4	35	—	100	35	1.380 / 1.410	1.630 / 1.660	8.0
6006-24-00	1 1/2	41	50	—	48	1.575 / 1.600	1.865 / 1.900	9.0
6006-35-00	1 1/2	41	—	150	48	1.575 / 1.600	1.865 / 1.900	9.0
6007-24-00	2	53	50	—	70	2.020 / 2.045	2.340 / 2.375	11.1
6007-30-00	2	53	—	100	70	2.020 / 2.045	2.340 / 2.375	11.1

Liquidtight Flexible Non-Metallic Conduit

[Click brand for more product info](#) ↓

Ultraflex Liquidtight Flexible Conduit

[AFC Cable Systems](#)
[Kaf-Tech](#)



Features:

- Designed for use in wet, dry or oily locations as a flame resistant, non-metallic raceway for power, control and communications cables
- Corrugated, circular cross section with a smooth polyvinyl chloride (PVC) inner surface and an integral reinforcing member within the conduit wall
- Non-conductive raceway – Black
- Extra flexible non-metallic Mechanical Protection Tubing
- Temperature Rating: 60°C (140°F) dry, 60°C (140°F) wet and oily
- Product marking on outer carton
- Separate grounding conductor required for all trade sizes, where applicable

Certifications & Compliances:

- Listed to UL 1696 Standard for Non-Metallic Mechanical Protection Tubing
- Certified to CSA C22.2 No. 227.3
- Meets these performance requirements: Heat Aging Test, Cold Blend Test, Heat Shock Test, Crush Test, Impact Test, Oil Spray Test
- Recognized component Liquidtight Mechanical Protection
- Tubing under UL File Number E79977

Applications:

- Recognized component for use in protection of insulated wire in assemblies or consoles of electrical apparatus (use to be determined by UL)
- Non-UL Liquidtight raceway
- Routing of internal wiring between electrical components of electrical equipment



Part Number	Trade Size	Trade Size	Coil Length	Reel Length	Approx. Weight/100 Ft	Internal Diameter Min/Max	External Diameter Min/Max	Bend Radius
	(in)	(mm)						
160-021	¾	21	100	—	11	0.820/0.840	1.035/1.045	0.83

Note: All dimensions and weights are subject to normal manufacturing tolerances.



PVC CONDUIT

Allied Tube & Conduit
Heritage Plastics
Queen City Plastics

Table of Contents

↓ [Click below to view product section](#)

[Introduction](#)

[Schedule 40 Rigid PVC Conduit](#)

[Schedule 40 Rigid PVC Conduit Cellular Core Cor-Tek](#)

[Schedule 80 Rigid PVC Conduit](#)



PVC Conduit

We offer a complete line of rigid PVC conduit, utility duct, and fittings which have proven durable and effective for years of maintenance free performance in underground, encased and exposed applications.

What are typical applications?

- Residential, Commercial and Industrial
- Transportation and Highway
- Airports and Marinas
- Cable, Data and Communication Lines
- Utilities

What are advantages of PVC?

- Corrosion Resistant
- Long Life
- Impact Resistant
- Labor Savings
- Lightweight
- Non Magnetic
- Self Extinguishing
- Non Galvanic

What determines the need for Schedule 80 conduit as opposed to Schedule 40?

In alignment with NEMA TC-2 and NEC, Section 352.10 (F), Schedule 40 and 80 can both be used in standard underground and above ground applications. Schedule 80 is designed for heavy duty applications above ground, where there are areas of potential physical damage.

Are Schedule 80 and 40 electrical conduit and fabricated fittings suited for direct sunlight?

Schedule 40 and 80 conduit and fabricated fittings are “Sunlight Resistant” in accordance with UL 651. Refer to the Atkore Sunlight Exposure Technical Bulletin on the website for additional information.

Part Number Guide

Rigid PVC Pipe

Schedule 40 ½-inch 10' Conduit



PVC Conduit

Schedule 40 Rigid PVC Conduit

[Click brand for more product info](#) ↓

[Allied Tube & Conduit](#)
[Heritage Plastics](#)
[Queen City Plastics](#)



Features:

- Smooth raceway for pulling wires and cables
- Superior corrosion resistance
- Excellent longevity

Certifications & Compliances:

- Conforms to UL 651 and NEMA TC 2
- Sunlight resistant per UL 651
- Rated for use with 90 degree C wiring

Applications:

- Electrical for use in Residential, Commercial, Industrial and Power Utility
- Communications and Fiber Optics
- Underground, exposed and encased installations



Part Number		Trade Size	Average OD	Min Wall Thickness	Crate Quantity	
10 Foot	20 Foot				10 Foot	20 Foot
			(in)	(in)	(ft)	(ft)
4005010	—	½	0.840	0.109	6,000	12,000
4007510	4007520	¾	1.050	0.113	4,400	8,800
4010010	4010020	1	1.315	0.133	3,600	7,200
4012510	4012520	1¼	1.660	0.140	3,300	6,600
4015010	4015020	1½	1.900	0.145	2,250	4,500
4020010	4020020	2	2.375	0.154	1,400	2,800
4025010	4025020	2½	2.875	0.203	930	1,860
4030010	4030020	3	3.500	0.216	880	1,760
4035010	—	3½	4.000	0.226	630	1,260
4040010	4040020	4	4.500	0.237	570	1,140
4050010	4050020	5	5.563	0.258	380	760
4060010	4060020	6	6.625	0.280	260	520
4080010	—	8	8.625	0.320	140	280

*8 inch products are not included in UL 651 and are therefore not certified by ETL
 Product availability varies by region and minimum run quantities may apply

PVC Conduit

Schedule 40 Rigid PVC Conduit Cellular Core Cor-Tek

[Click brand for more product info](#) ↓

[Allied Tube & Conduit](#)
[Heritage Plastics](#)
[Queen City Plastics](#)



Features:

- Smooth raceway for pulling wires and cables
- Superior corrosion resistance
- Excellent longevity
- Significant weight advantages

Certifications & Compliances:

- Conforms to UL 651 and NEMA TC 2
- Sunlight resistant per UL 651
- Rated for use with 90 degree C wiring

Applications:

- Electrical for use in Residential, Commercial, Industrial and Power Utility
- Communications and Fiber Optics
- Underground, exposed and encased installations



Part Number		Trade Size	Average OD (in)	Min Wall Thickness (in)	Crate Quantity	
10 Foot	20 Foot				10 Foot (ft)	20 Foot (ft)
4030010COR	4030020COR	3	3.500	0.216	880	1,760
4035010COR	—	3½	4.000	0.226	630	1,260
4040010COR	4040020COR	4	4.500	0.237	570	1,140
4050010COR	4050020COR	5	5.563	0.258	380	760
4060010COR	4060020COR	6	6.625	0.280	260	520

PVC Conduit

Schedule 80 Rigid PVC Conduit

[Click brand for more product info](#) ↓

[Allied Tube & Conduit](#)
[Heritage Plastics](#)
[Queen City Plastics](#)



Features:

- Smooth raceway for pulling wires and cables
- Superior corrosion resistance
- Excellent longevity

Certifications & Compliances:

- Conforms to UL 651 and NEMA TC 2
- Sunlight resistant per UL 651
- Rated for use with 90 degree C wiring

Applications:

- Electrical for use in Residential, Commercial, Industrial and Power Utility
- Communications and Fiber Optics
- Underground, exposed and encased installations



Part Number	Part Number	Trade Size	Average OD	Min Wall Thickness	Crate Quantity	
					10 Foot	20 Foot
10 Foot	20 Foot		(in)	(in)	(ft)	(ft)
8005010	—	½	0.840	0.147	6,000	12,000
8007510	—	¾	1.050	0.154	4,400	8,800
8010010	—	1	1.315	0.179	3,600	7,200
8012510	—	1¼	1.660	0.191	3,300	6,600
8015010	—	1½	1.900	0.200	2,250	4,500
8020010	8020020	2	2.375	0.218	1,400	2,800
8025010	—	2½	2.875	0.276	930	1,860
8030010	8030020	3	3.500	0.300	880	1,760
8035010	—	3½	4.000	0.318	630	1,260
8040010	8040020	4	4.500	0.337	570	1,140
8050010	—	5	5.563	0.375	380	760
8060010	—	6	6.625	0.432	260	520

*8 inch products are not included in UL 651 and are therefore not certified by ETL
 Product availability varies by region and minimum run quantities may apply



PVC COATED CONDUIT

Allied Tube & Conduit
Calbond

Table of Contents

↓ [Click below to view product section](#)

[ETL-Verified PVC Coated Rigid Conduit](#)
[PVC Coated Aluminum Conduit](#)



PVC Coated Conduit

ETL-Verified PVC Coated Rigid Conduit

[Click brand for more product info](#) ↓

[Allied Tube & Conduit](#)
[Calbond](#)



Features:

- Exterior PVC coating thickness is a minimum 0.040"
- Interior urethane coating thickness is a minimum 0.002"
- Specialized corrosion resistant coating provided on threads
- Sizes available are ½" to 6"
- Color coded thread protectors
- Couplings shipped with conduit are packaged separately
- Hot Dipped Galvanized (HDG) conduit

Certifications & Compliances:

- UL listed with both the PVC coating as a primary protection and the Hot Dipped Galvanized (HDG) zinc coating as the primary protection per UL 6
- Restricted for use with threaded fittings only (threadless connector not permitted)
- UL/cUL listed, File Number DYJC E226472
- ETL PVC-001 adhesion performance test verified / Cert. of Conformance Number: 104646226CRT-002
- Exceeds NEMA RN1 and ANSI C80.1 Standards

Applications:

- Used in highly corrosive environments to protect electrical circuits under harsh conditions
- Coating is Intertek SEMKO ETL PVC-001 Verified for superior corrosion and mechanical protection
- Ground continuity is maintained throughout installation



Part Number	ETL - Part Number	Trade Size		Wall Thickness	Outside Diameter with Coating	Inside Diameter	Weight Per 100 Ft	Ft Per Bundle
		(in)	(mm)	(in)	(in)	(in)	(lb)	(ft)
PV0510CT00	—	½	16	0.104	0.920	0.632	90	1000
PV0710CT00	PV0710CT00-E	¾	21	0.107	1.130	0.836	119	900
PV1010CT00	PV1010CT00-E	1	27	0.126	1.395	1.063	175	750
PV1210CT00	PV1210CT00-E	1¼	35	0.133	1.740	1.394	237	420
PV1510CT00	—	1½	41	0.138	1.980	1.642	281	380
PV2010CT00	PV2010CT00-E	2	53	0.146	2.455	2.083	376	300
PV2510CT00	—	2½	63	0.193	2.955	2.489	593	170
PV3010CT00	PV3010CT00-E	3	78	0.205	3.580	3.090	772	140
PV3510CT00	—	3½	91	0.215	4.080	3.570	922	110
PV4010CT00	PV4010CT00-E	4	103	0.225	4.580	4.050	1089	110
PV5010CT00	—	5	129	0.245	5.643	5.073	1488	80

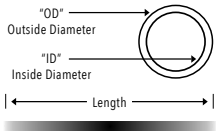
All dimensions are for informational purposes only *Tolerances +/- 5%

PVC Coated Conduit

[Click brand for more product info](#) ↓

PVC Coated Aluminum Conduit

[Allied Tube & Conduit](#)
[Calbond](#)



Features:

- Exterior PVC coating thickness is a minimum 0.040"
- Interior urethane coating thickness is a minimum 0.002"
- Specialized corrosion resistant coating provided on threads
- Sizes available are 1/2" to 6"
- Color coded thread protectors
- Couplings shipped with conduit are packaged separately
- Aluminum Rigid Conduit 6061 T1

Certifications & Compliances:

- UL listed with both the PVC coating as a primary protection and the zinc coating as the primary protection per UL 6A
- Restricted for use with threaded fittings only (threadless connector not permitted)
- UL/cUL listed in accordance to UL6A and ANSI C80.5
- UL/cUL listed rigid ferrous metal conduit with polyvinyl chloride coating verified for PVC adhesion performance
- Complies with NEMA RN1
- UL File Number E230584

Applications:

- Used for highly corrosive environments
- Coating will provide corrosion protection and mechanical protection
- Ground continuity is maintained throughout installation



Part Number	Trade Size		Wall Thickness	Outside Diameter with Coating	Inside Diameter	Weight Per 100 Ft	Ft Per Bundle
	(in)	(mm)					
PA0710CT00	¾	21	0.107	1.130	0.836	50	900
PA1010CT00	1	27	0.126	1.395	1.063	70	750
PA1510CT00	1 ½	41	0.138	1.980	1.624	110	380
PA2010CT00	2	53	0.146	2.455	2.083	140	300
PA2510CT00	2 ½	63	0.193	2.955	2.489	220	170
PA3010CT00	3	78	0.205	3.580	3.090	280	140
PA4010CT00	4	103	0.225	4.580	4.050	370	110

All dimensions are for informational purposes only *Tolerances +/- 5%



ELBOWS & SWEEPS



Allied Tube & Conduit

Calconduit

FRE Composites

Heritage Plastics

Queen City Plastics

Elbows & Sweeps - Table of Contents

↓ [Click below to view product section](#)

- Aluminum Rigid Conduit (ARC) Elbows
- EMT Elbows & Sweeps
- Fiberglass Elbows & Sweeps
- Galvanized Rigid Conduit (GRC) Elbows & Sweeps
- PVC Elbows & Sweeps
- PVC Coated Elbows



ALUMINUM RIGID CONDUIT (ARC) ELBOWS

Allied Tube & Conduit
Calconduit

Table of Contents

↓ [Click below to view product section](#)

[Aluminum Rigid Conduit \(ARC\) 90° Elbows](#)
[Aluminum Rigid Conduit \(ARC\) 45° Elbows](#)

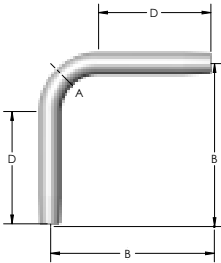


Aluminum Rigid Conduit (ARC) Elbows

Click brand for more product info ↓

[Allied Tube & Conduit](#)
[Calconduit](#)

Aluminum Rigid Conduit (ARC) 90° Elbows



Certifications & Compliances:

- Listed to Safety Standard UL 6A
- Manufactured in accordance with ANSI C80.5



Part Number	Trade Size		Radius (A) ¹		Offset (B)		Straight (D)		Approximate Weight Per 100 Pieces		Standard Package
	(in)	(mm)	(in)	(mm)	(in)	(mm)	(in)	(mm)	(lb)	(kg)	
732340	½	16	4.00	102	5.875	149	1.500	38	22	10.0	25
732341	¾	21	4.50	114	7.000	178	1.500	38	32	14.5	40
732342	1	27	5.75	146	8.750	222	1.875	48	62	28.1	25
732343	1¼	35	7.25	184	10.500	267	2.000	51	99	44.9	10
732344	1½	41	8.25	210	11.750	298	2.000	51	137	62.1	10
732345	2	53	9.50	241	14.500	268	2.000	51	228	103.4	5
732346	2½	63	10.50	267	17.250	438	3.000	76	427	193.7	80
732347	3	78	13.00	330	22.750	578	3.125	79	752	341.1	50
732349	4	103	16.00	406	23.375	594	3.375	86	1,049	475.8	36
732352	5	129	24.00	610	34.875	886	3.625	92	2,125	963.9	1

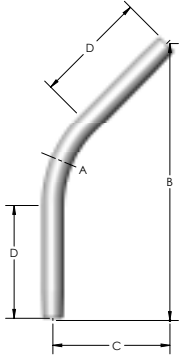
¹Tolerances: ½" to 1½" trade sizes +/- 0.015 (in) 2" to 6" trade sizes +/- 1%

Aluminum Rigid Conduit (ARC) Elbows

Click brand for more product info ↓

[Allied Tube & Conduit](#)
[Calconduit](#)

Aluminum Rigid Conduit (ARC) 45° Elbows



Certifications & Compliances:

- Listed to Safety Standard UL 6A
- Manufactured in accordance with ANSI C80.5



Part Number	Trade Size		Radius (A) ¹		Offset (B)		Offset (C)		Straight (D)		Approximate Weight Per 100 Pieces		Standard Package
	(in)	(mm)	(in)	(mm)	(in)	(mm)	(in)	(mm)	(in)	(mm)	(lb)	(kg)	
869622	3	78	13.00	330	21.000	533	8.625	219	3.125	79	442	200.5	50

¹Tolerances: 1/2" to 1 1/2" trade sizes +/- 0.015 (in) 2" to 6" trade sizes +/- 1%



EMT ELBOWS & SWEEPS

Allied Tube & Conduit
Calconduit

Table of Contents

↓ [Click below to view product section](#)

[EMT 90° Elbows](#)

[EMT 45° Elbows](#)

[EMT 30° Elbows](#)

[EMT 22 ½° Elbows](#)

[EMT 15° Elbows](#)

[EMT Large Radius 90° Elbows](#)

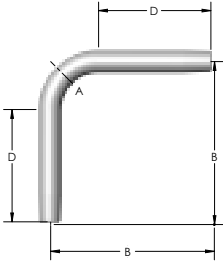


EMT Elbows & Sweeps

[Click brand for more product info](#) ↓

[Allied Tube & Conduit](#)
[Calconduit](#)

EMT 90° Elbows



Certifications & Compliances:

- Listed to Safety Standard UL 797
- Manufactured in accordance with ANSI C80.3



Part Number	Trade Size	Metric Designator	Radius (A) ¹		Offset (B) ²		Straight (D) ¹		Approximate Weight Per 100 Pieces		Standard Package
	(in)	(mm)	(in)	(mm)	(in)	(mm)	(in)	(mm)	(lb)	(kg)	
877008	1/2	16	4.00	102	5.875	149	1.500	38	25	11.3	25
877009	3/4	21	4.50	114	7.000	178	1.500	38	46	20.9	50
877010	1	27	5.75	146	8.750	222	1.875	48	84	38.1	25
877011	1 1/4	35	7.25	184	10.125	257	2.000	51	144	65.3	20
877012	1 1/2	41	8.25	210	11.750	298	2.000	51	193	87.5	15
877013	2	53	9.50	241	14.000	356	2.000	51	296	134.3	10
877014	2 1/2	63	10.50	267	16.250	413	3.000	76	504	228.6	1
877015	3	78	13.00	330	18.750	476	3.125	79	701	318.0	1
877016	3 1/2	91	15.00	381	21.250	540	3.250	83	1,047	474.9	1
877017	4	103	16.00	406	23.375	594	3.375	86	1,310	594.2	1

¹Minimum requirement as per UL Standard

²Dimensions and weights are approximate

Sizes 2 1/2" (63 mm) and larger shipped in palletized cartons or bulk

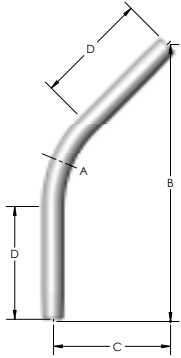
Also available in the following Degrees (60°, 45°, 30°, 22 1/2°, 15° & 11 1/4°)

EMT Elbows & Sweeps

Click brand for more product info ↓

[Allied Tube & Conduit](#)
[Calconduit](#)

EMT 45° Elbows



Certifications & Compliances:

- Listed to Safety Standard UL 797
- Manufactured in accordance with ANSI C80.3



Part Number	Trade Size	Metric Designator	Radius (A) ¹		Offset (B) ²		Offset (C) ²		Straight (D) ¹		Approximate Weight Per 100 Pieces		Standard Package
	(in)	(mm)	(in)	(mm)	(in)	(mm)	(in)	(mm)	(in)	(mm)	(lb)	(kg)	
877020	1	27	5.75	146	8.750	222	3.625	92	1.875	48	56	25.4	25
877021	1¼	35	7.25	184	10.125	257	4.125	105	2.000	51	97	44.0	20
877022	1½	41	8.25	210	13.125	333	5.375	137	2.000	51	145	65.8	15
877023	2	53	9.50	241	13.125	333	5.500	140	2.000	51	185	83.9	10
877024	2½	63	10.50	267	17.500	445	7.250	184	3.000	76	360	163.3	1
877025	3	78	13.00	330	17.500	445	7.250	184	3.125	79	438	198.7	1
877026	3½	91	15.00	381	26.125	664	10.875	276	3.250	83	873	396.0	1
877027	4	103	16.00	406	26.250	667	10.875	276	3.375	86	983	445.9	1

¹Minimum requirement as per UL Standard

²Dimensions and weights are approximate

Sizes 2½" (63 mm) and larger shipped in palletized cartons or bulk

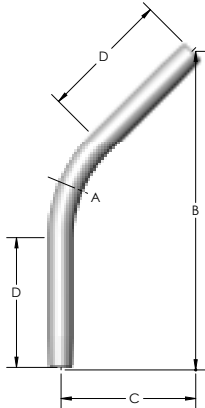
Also available in the following Degrees (90°, 60°, 30°, 22½°, 15° & 11¼°)

EMT Elbows & Sweeps

Click brand for more product info ↓

[Allied Tube & Conduit](#)

EMT 30° Elbows



Certifications & Compliances:

- Listed to Safety Standard UL 797
- Manufactured in accordance with ANSI C80.3

For Elbows less than 45°, note the changes to the dimensions for A, B, C and D in the following table



Part Number	Trade Size		Radius (A) ¹		Offset (B) ²		Offset (C) ²		Straight (D) ¹		Approximate Weight Per 100 Pieces		Standard Package
	(in)	(mm)	(in)	(mm)	(in)	(mm)	(in)	(mm)	(in)	(mm)	(lb)	(kg)	
877031	1 ¼	35	7.250	184	12.500	318	3.375	86	4.750	121	—	—	—
877032	1 ½	41	8.250	210	12.250	311	3.250	83	4.375	111	—	—	—
877033	2	53	9.500	241	16.125	410	4.250	108	6.125	156	—	—	—
877034	2 ½	63	10.500	267	18.750	476	5.000	127	7.250	184	—	—	—
877035	3	78	13.000	330	20.625	524	5.500	140	7.625	194	—	—	—
877036	3 ½	91	15.000	381	26.250	667	7.000	178	10.125	257	—	—	—
877037	4	103	16.000	406	26.250	667	7.000	178	9.750	248	—	—	—

¹Minimum requirement as per UL Standard

²Dimensions and weights are approximate

Sizes 2 ½" (63 mm) and larger shipped in palletized cartons or bulk

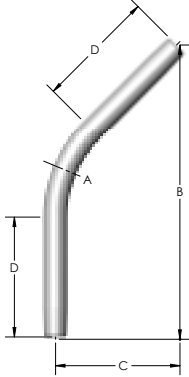
Also available in the following Degrees (90°, 60°, 30°, 22½°, 15° & 11¼°)

EMT Elbows & Sweeps

Click brand for more product info ↓

[Allied Tube & Conduit](#)

EMT 22½° Elbows



Certifications & Compliances:

- Listed to Safety Standard UL 797
- Manufactured in accordance with ANSI C80.3

For Elbows less than 45°, note the changes to the dimensions for A, B, C and D in the following table



Part Number	Trade Size		Radius (A) ¹		Offset (B) ²		Offset (C) ²		Straight (D) ¹		Approximate Weight Per 100 Pieces		Standard Package
	(in)	(mm)	(in)	(mm)	(in)	(mm)	(in)	(mm)	(in)	(mm)	(lb)	(kg)	
877042	1½	41	8.25	210	12.50	318	2.500	64	4.875	124	145	65.8	15
877043	2	53	9.50	241	16.50	419	3.250	83	6.750	171	185	83.9	10
877044	2½	63	10.50	267	19.25	489	3.875	98	8.000	203	360	163.3	1
877045	3	78	13.00	330	21.25	540	4.500	114	8.500	216	438	198.7	1

¹Minimum requirement as per UL Standard

²Dimensions and weights are approximate

Sizes 2 ½" (63 mm) and larger shipped in palletized cartons or bulk

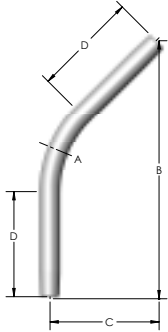
Also available in the following Degrees (90°, 60°, 30°, 22½°, 15° & 11¼°)

EMT Elbows & Sweeps

Click brand for more product info ↓

[Allied Tube & Conduit](#)

EMT 15° Elbows



Certifications & Compliances:

- Listed to Safety Standard UL 797
- Manufactured in accordance with ANSI C80.3

For Elbows less than 45°, note the changes to the dimensions for A, B, C and D in the following table



Part Number	Trade Size		Radius (A) ¹		Offset (B) ²		Offset (C) ²		Straight (D) ¹		Approximate Weight Per 100 Pieces		Standard Package
	(in)	(mm)	(in)	(mm)	(in)	(mm)	(in)	(mm)	(in)	(mm)	(lb)	(kg)	
877052	1½	41	8.250	210	12.750	324	1.625	41	5.375	137	120	54.43	15
877053	2	53	9.500	241	16.875	429	2.250	57	7.375	187	197	89.36	10
877054	2½	63	10.500	267	19.625	498	2.625	67	8.625	219	386	175.09	252
877055	3	78	13.000	330	21.625	549	2.875	73	9.250	235	589	267.17	180
877056	3½	91	15.000	381	27.500	699	3.625	92	12.000	305	768	348.36	100
877057	4	103	16.000	406	27.500	699	3.625	92	11.875	302	904	410.05	84

¹Minimum requirement as per UL Standard

²Dimensions and weights are approximate

Sizes 2½" (63 mm) and larger shipped in palletized cartons or bulk

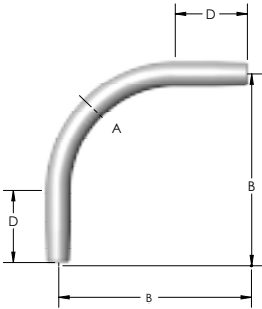
Also available in the following Degrees (90°, 60°, 30°, 22½°, 15° & 11¼°)

EMT Elbows & Sweeps

Click brand for more product info ↓

[Allied Tube & Conduit](#)
[Calconduit](#)

EMT Large Radius 90° Elbows



Certifications & Compliances:

- Listed to Safety Standard UL 797
- Manufactured in accordance with ANSI C80.3



Part Number	Trade Size	Metric Designator	Radius (A) ¹		Offset (B) ²		Straight (D) ¹		Approximate Weight Per 100 Pieces	
	(in)	(mm)	(in)	(mm)	(in)	(mm)	(in)	(mm)	(lb)	(kg)
877092	4	103	48	1,219	60.250	1,530	12.250	311	3,275	1,485.5

¹Minimum requirement as per UL Standard

²For information only, not a requirement as per UL Standard

Sizes 2½" (63 mm) and larger shipped in palletized cartons or bulk

Also available in the following Degrees (60°, 45°, 30°, 22½°, 15° & 11¼°)



FIBERGLASS ELBOWS & SWEEPS

[FRE Composites](#)

Table of Contents

↓ [Click below to view product section](#)

Fiberglass Elbows Product Codes

Epoxy System

Introduction

IPS (Iron Pipe Size) Series

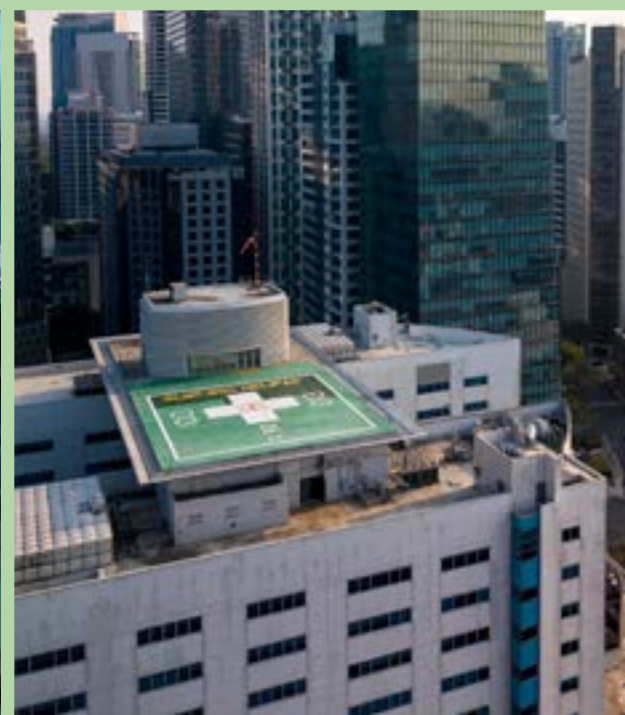
IPS SW 45° Elbow

IPS SW 90° Elbow



Fiberglass Elbows Product Codes

Family	Product Name	Information with or without TriSeal®	Wall Thickness			
			Thin Wall TW	Standard Wall SW	Heavy Wall HW	Extra Heavy Wall XW
Epoxy System FRE® IPS	—	With TriSeal®	11-	10-	12-	—
Epoxy System FRE® ID	—	With TriSeal®	21-	20-	22-	—
Epoxy System FRE® IPS	HazGuard®	No TriSeal®	—	—	—	14-
Epoxy System FRE® ID	HazGuard®	No TriSeal®	—	—	—	24-
Phenolic System IPS	BreathSaver®	No TriSeal®	—	70-	—	74-
Phenolic System ID	BreathSaver®	No TriSeal®	—	80-	—	84-



FRE® Rigid Non-Metallic Fiberglass Fittings

Features:

- Complete line of fittings and adaptors
- Available in 3/4" to 6" IPS and 2" to 6" ID
- Fast adhesive assembly between the Integral tapered bell and spigot end or use molded urethane push-fit TriSeal®
- Full interchangeability with existing metallic and non-metallic raceways
- Direct burial and encased burial applications

Benefits:

- Outstanding corrosion resistance
- Non-conductive
- Lightweight: 2 to 3 times lighter than Rigid Coated Steel
- Conduit is offered in 10' or 20' sections
- Chemical inertness, impervious to numerous chemicals
- Contains no chlorine, halogen or other toxic materials
- Will retain its shape after compression or impact
- Operation temperature -40°F to 230°F
- Low coefficient of friction in longer cable pulls
- Easy to install

Materials:

- Conduit, elbows and fittings shall be manufactured with continuous E or E-CR glass roving encapsulated in an internally steam cured, corrosion resistant epoxy resin system with UV inhibiting carbon black pigment dispersed homogeneously

Product Applications:

- The main application of RTRC is to protect and route electrical wiring

Environments Used in:

- Above ground and below ground applications

Relevant Certifications:

- ANSI/UL2420 (BG), ANSI/UL2515 (AG), CSA22.2 No. 2420 (BG), CSA22.2 No. 2515 (AG), NEMA TC 14



What differentiates this product?

RTRC conduit has been successfully used in applications requiring corrosion resistance and the strength of metallic systems. RTRC conduit is readily available in a variety of types, sizes and wall thicknesses to meet numerous design requirements. RTRC conduit is used in most industries requiring corrosion resistance pipe and a wide temperature range of operation.

Why should someone use it?

The installed cost of filament-wound conduit and fittings can be competitively priced against many metallic and thermoplastic piping systems required in difficult electrical piping applications. RTRC offers remarkable mechanical properties, which outperforms those from similar electrical conduit used in the industry.

What sets it apart from other products?

Among the different types of conduit available on the market, RTRC offers the best anti-corrosion properties, offering low installation costs and the possibility of adapting the product to specific requirements and applications.

Epoxy System • IPS Series Elbows

IPS SW 45° Elbow

Click brand for more product info ↓
[FRE Composites](#)



Size		Part Number	ØB	R	T	ØB	R	T
(in)	(mm)		(in)			(mm)		
48" Radius								
6	155	10-6032R48-PVC	6.625	48	6	168.3	1219.2	152.4

* -PVC : PVC couplings on each end of the elbow

IPS SW 90° Elbow

Click brand for more product info ↓
[FRE Composites](#)



Size		Part Number	ØB	R	T	ØB	R	T
(in)	(mm)		(in)			(mm)		
24" Radius								
2	53	10-2030R24-PVC	2.375	24	6	60.3	609.6	152.4
36" Radius								
3	78	10-3030R36-PVC	3.500	36	6	88.9	914.4	152.4
4	103	10-4030R36-PVC	4.500	36	6	114.3	914.4	152.4
6	155	10-6030R36-PVC	6.625	36	6	168.3	914.4	152.4
48" Radius								
6	155	10-6030R48-PVC	6.625	48	6	168.3	1219.2	152.4
60" Radius								
6	155	10-6030R60-PVC	6.625	60	6	168.3	1524.0	152.4

* -PVC : PVC couplings on each end of the elbow



GALVANIZED RIGID CONDUIT (GRC) ELBOWS & SWEEPS

Allied Tube & Conduit
Calconduit

Table of Contents

↓ [Click below to view product section](#)

[Galvanized Rigid Conduit \(GRC\) 90° Elbows](#)

[Galvanized Rigid Conduit \(GRC\) 45° Elbows](#)

[Galvanized Rigid Conduit \(GRC\) 30° Elbows](#)

[Galvanized Rigid Conduit \(GRC\) Large Radius 90° Elbows](#)

[Galvanized Rigid Conduit \(GRC\) Large Radius 45° Elbows](#)

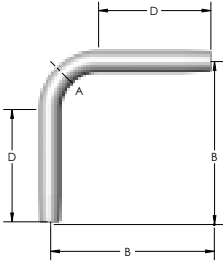


Galvanized Rigid Conduit Elbows & Sweeps

Click brand for more product info ↓

[Allied Tube & Conduit](#)
[Calconduit](#)

Galvanized Rigid Conduit (GRC) 90° Elbows



Certifications & Compliances:

- Listed to Safety Standard UL 6
- Manufactured in accordance with ANSI C80.1



Part Number	Trade Size	Metric Designator	Radius (A) ¹		Offset (B) ²		Straight (D) ¹		Approximate Weight Per 100 Pieces		Standard Package
	(in)	(mm)	(in)	(mm)	(in)	(mm)	(in)	(mm)	(lb)	(kg)	
876769	1/2	16	4.00	102	5.875	149	1.500	38	68	30.8	50
876770	3/4	21	4.50	114	7.000	178	1.500	38	109	49.4	50
876771	1	27	5.75	146	8.750	222	1.875	48	201	91.2	25
876772	1 1/4	35	7.25	184	10.125	257	2.000	51	336	152.4	20
876773	1 1/2	41	8.25	210	11.750	298	2.000	51	460	208.7	15
876774	2	53	9.50	241	14.000	356	2.000	51	729	330.7	10
876775	2 1/2	63	10.50	267	16.250	413	3.000	76	1,374	623.2	1
876776	3	78	13.00	330	18.750	476	3.125	79	2,045	927.6	1
876777	3 1/2	91	15.00	381	21.250	540	3.250	83	2,860	1,297.3	1
876778	4	103	16.00	406	23.375	594	3.375	86	3,519	1,596.2	1
876779	5	129	24.00	610	34.875	886	3.625	92	6,942	3,148.9	1
876780	6	155	30.00	762	45.500	1,156	3.750	95	11,960	5,425.1	1

¹Minimum requirement as per UL Standard

²For information only, not a requirement as per UL Standard

Sizes 2 1/2" (63 mm) and larger shipped in palletized cartons or bulk

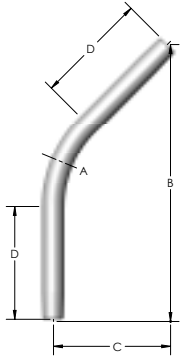
Also available in the following Degrees (60°, 45°, 30°, 22 1/2°, 15° & 11 1/4°)

Galvanized Rigid Conduit Elbows & Sweeps

Click brand for more product info ↓

[Allied Tube & Conduit](#)
[Calconduit](#)

Galvanized Rigid Conduit (GRC) 45° Elbows



Certifications & Compliances:

- Listed to Safety Standard UL 6
- Manufactured in accordance with ANSI C80.1



Part Number	Trade Size	Metric Designator	Radius (A) ¹		Offset (B) ²		Offset (C) ²		Straight (D) ¹		Approximate Weight Per 100 Pieces		Standard Package
	(in)	(mm)	(in)	(mm)	(in)	(mm)	(in)	(mm)	(in)	(mm)	(lb)	(kg)	
876783	1	27	5.75	146	9.625	244	4.000	102	1.875	48	148	67.1	25
876784	1¼	35	7.25	184	11.125	283	4.625	117	2.000	51	232	105.2	20
876785	1½	41	8.25	210	13.125	333	5.375	137	2.000	51	329	149.2	15
876786	2	53	9.50	241	15.750	400	6.500	165	2.000	51	525	238.1	10
876787	2½	63	10.50	267	17.500	445	7.250	184	3.000	76	932	422.8	1
876788	3	78	13.00	330	21.875	556	9.000	229	3.125	79	1,515	687.2	1
876790	4	103	16.00	406	26.250	667	10.875	276	3.375	86	2,575	1,168.0	1
876792	6	155	30.00	762	43.375	1,102	18.000	475	3.375	95	7,590	3,442.8	1

¹Minimum requirement as per UL Standard

²For information only, not a requirement as per UL Standard

Sizes 2½" (63 mm) and larger shipped in palletized cartons or bulk

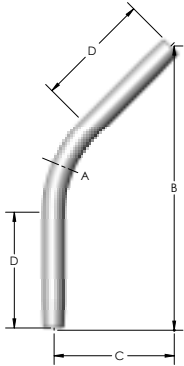
Also available in the following Degrees (90°, 60°, 30°, 22½°, 15° & 11¼°)

Galvanized Rigid Conduit Elbows & Sweeps

Click brand for more product info ↓

Galvanized Rigid Conduit (GRC) 30° Elbows

[Allied Tube & Conduit](#)



Certifications & Compliances:

- Listed to Safety Standard UL 6
- Manufactured in accordance with ANSI C80.1

For Elbows less than 45°, note the changes to the dimensions for A, B, C and D in the following table



Part Number	Trade Size		Radius (A) ¹		Offset (B) ²		Offset (C) ²		Straight (D) ¹		Approximate Weight Per 100 Pieces		Standard Package
	(in)	(mm)	(in)	(mm)	(in)	(mm)	(in)	(mm)	(in)	(mm)	(lb)	(kg)	
876800	3	78	13.000	330	18.750	476	5.000	127	6.625	168	1,040	471.74	1

¹Minimum requirement as per UL Standard

²For information only, not a requirement as per UL Standard

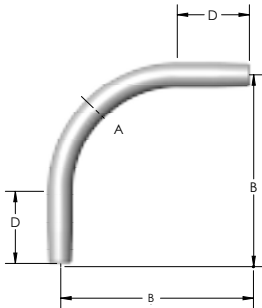
Sizes 2½" (63 mm) and larger shipped in palletized cartons or bulk
Also available in the following Degrees (90°, 60°, 30°, 22½°, 15° & 11¼°)

Galvanized Rigid Conduit Elbows & Sweeps

Click brand for more product info ↓

[Allied Tube & Conduit](#)
[Calconduit](#)

Galvanized Rigid Conduit (GRC) Large Radius 90° Elbows



Certifications & Compliances:

- Listed to Safety Standard UL 6
- Manufactured in accordance with ANSI C80.1



Part Number	Trade Size	Metric Designator	Radius (A) ¹		Offset (B) ²		Straight (D) ¹		Approximate Weight Per 100 Pieces	
	(in)	(mm)	(in)	(mm)	(in)	(mm)	(in)	(mm)	(lb)	(kg)
876834	1	27	36	914	46.750	1187	10.750	273	1,047	474.9
876848	1½	41	24	610	34.625	879	10.750	270	1,293	586.5
876856	2	53	24	610	30.375	772	6.375	162	1,473	668.2
876858	2	53	36	914	46.750	1,187	10.750	273	2,275	1,031.9
876871	3	78	24	610	33.125	841	9.125	232	3,393	1,539.1
876873	3	78	36	914	46.875	1,191	10.875	276	4,741	2,150.5
876883	4	103	24	610	35.125	892	11.125	283	5,150	2,336.0
876885	4	103	36	914	47.000	1,194	11.000	279	6,738	3,056.4
876887	4	103	48	1,219	60.250	1,530	12.250	311	8,583	3,893.2
876890	5	129	36	914	50.750	1,289	14.750	375	10,033	4,551.0
876892	5	129	48	1,219	65.250	1,657	17.250	438	12,833	5,821.0
876894	6	155	36	914	50.750	1,289	14.750	375	13,187	5,981.6
876896	6	155	48	1,219	65.250	1,657	17.250	438	16,867	7,650.9
876897	6	155	60	1,524	75.875	1,927	15.875	403	19,320	8,763.6

¹Minimum requirement as per UL Standard

²For information only, not a requirement as per UL Standard

Shipped in palletized cartons or bulk

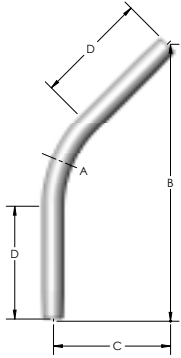
Also available in the following Degrees (60°, 45°, 30°, 22 ½°, 15° & 11¼°)

Galvanized Rigid Conduit Elbows & Sweeps

Galvanized Rigid Conduit (GRC) Large Radius 45° Elbows

Click brand for more product info ↓

[Allied Tube & Conduit](#)
[Calconduit](#)



Certifications & Compliances:

- Listed to Safety Standard UL 6
- Manufactured in accordance with ANSI C80.1



Part Number	Trade Size	Metric Designator	Radius (A) ¹		Offset (B) ²		Offset (C) ²		Straight (D) ¹		Approximate Weight Per 100 Pieces	
	(in)	(mm)	(in)	(mm)	(in)	(mm)	(in)	(mm)	(in)	(mm)	(lb)	(kg)
876956	4	103	48	1,219	54½	1,384	22½	572	12	305	5,320	2,394
876965	6	155	36	914	44	1,118	18½	470	12	305	8,100	3,645

¹Minimum requirement as per UL Standard

²For information only, not a requirement as per UL Standard

Sizes 2½" (63 mm) and larger shipped in palletized cartons or bulk

Also available in the following Degrees (90°, 60°, 30°, 22 ½°, 15° & 11¼°)



PVC ELBOWS & SWEEPS

Allied Tube & Conduit
Heritage Plastics
Queen City Plastics

Table of Contents

↓ [Click below to view product section](#)

[Introduction](#)

[Schedule 40 Standard Radius Elbows](#)

[Schedule 40 Special Radius Elbows](#)

[Schedule 80 Standard Radius Elbows](#)

[Schedule 80 Special Radius Elbows](#)



PVC Elbows & Sweeps

We offer a complete line of rigid PVC conduit, utility duct, and fittings which have proven durable and effective for years of maintenance free performance in underground, encased and exposed applications.

What are typical applications?

- Residential, Commercial and Industrial
- Transportation and Highway
- Airports and Marinas
- Cable, Data and Communication Lines
- Utilities

What are advantages of PVC?

- Corrosion Resistant
- Long Life
- Impact Resistant
- Labor Savings
- Lightweight
- Non Magnetic
- Self Extinguishing
- Non Galvanic

Are Schedule 80 and 40 electrical conduit and fabricated fittings suited for direct sunlight?

Schedule 40 and 80 conduit and fabricated fittings are “Sunlight Resistant” in accordance with UL 651. Refer to the Atkore Sunlight Exposure Technical Bulletin on the website for additional information.

Part Number Guide

Elbows

Schedule 40 2" x 90 x 36" Plain End
Special Radius Elbow F402009036P

F402009036P

Schedule Trade Size Degree Radius Plain End

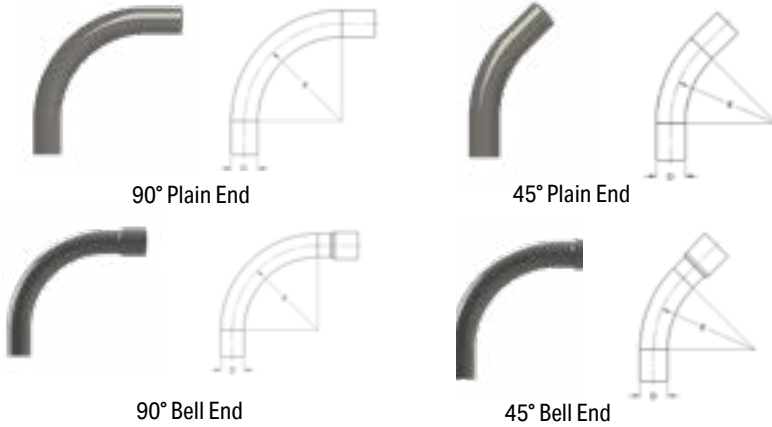


PVC Elbows & Sweeps

Click brand for more product info ↓

[Allied Tube & Conduit](#)
[Heritage Plastics](#)
[Queen City Plastics](#)

Schedule 40 Standard Radius Elbows



Part Number		Trade Size	Dimensions (in)		Package Quantity
Plain End	Bell End		Average Outside Diameter, D	Radius R	
90°					
F4005090P	F4005090	½	0.840	4.00	50
F4007590P	F4007590	¾	1.050	4.50	25
F4010090P	F4010090	1	1.315	5.75	25
F4012590P	F4012590	1¼	1.660	7.25	25
F4015090P	F4015090	1½	1.900	8.25	25
F4020090P	F4020090	2	2.375	9.50	25
F4025090P	F4025090	2½	2.875	10.50	50
F4030090P	F4030090	3	3.500	13.00	50
F4035090P	—	3½	4.000	15.00	25
F4040090P	F4040090	4	4.500	16.00	25
F4050090P	F4050090	5	5.563	24.00	20
F4060090P	F4060090	6	6.625	30.00	16
45°					
F4005045P	—	½	0.840	4.00	50
F4007545P	—	¾	1.050	4.50	25
F4010045P	F4010045	1	1.315	5.75	25
F4012545P	—	1¼	1.660	7.25	25
F4015045P	—	1½	1.900	8.25	25
F4020045P	F4020045	2	2.375	9.50	25
F4025045P	F4025045	2½	2.875	10.50	50
F4030045P	F4030045	3	3.500	13.00	50
F4035045P	—	3½	4.000	15.00	25
F4040045P	F4040045	4	4.500	16.00	25
F4050045P	—	5	5.563	24.00	20
F4060045P	F4060045	6	6.625	30.00	16

Product availability varies by region and minimum run quantities may apply
 Listed to UL 651

PVC Elbows & Sweeps

Click brand for more product info ↓

[Allied Tube & Conduit](#)
[Heritage Plastics](#)
[Queen City Plastics](#)

Schedule 40 Standard Radius Elbows



30° Plain End

22½° Plain End



30° Bell End

22½° Bell End



Part Number		Trade Size	Dimensions (in)		Package Quantity
Plain End	Bell End		Average Outside Diameter, D	Radius R	
30°					
F4020030P	—	2	2.375	9.50	25
F4030030P	—	3	3.500	13.00	50
F4040030P	—	4	4.500	16.00	25
22 1/2°					
F4020022P	—	2	2.375	9.50	25
F4030022P	—	3	3.500	13.00	50
F4040022P	F4040022	4	4.500	16.00	25
F4060022P	—	6	6.625	30.00	16

Product availability varies by region and minimum run quantities may apply
 Listed to UL 651

PVC Elbows & Sweeps

Click brand for more product info ↓

Schedule 40 Special Radius Elbows

[Allied Tube & Conduit](#)
[Heritage Plastics](#)
[Queen City Plastics](#)



Part Number						Trade Size	Package Quantity
18" Radius	24" Radius	30" Radius	36" Radius	48" Radius	60" Radius		
Bell End 90°							
—	F401009024	—	—	—	—	1	25
F402009018	F402009024	—	F402009036	F402009048	—	2	50
—	F402009024LB*	—	F402009036LB*	—	—	2	50
—	F402509024	—	F402509036	—	—	2½	50
—	F403009024	F403009030	F403009036	—	—	3	50
—	F403009024LB*	—	—	—	—	3	50
—	—	—	F403509036	—	—	3½	25
—	F404009024	—	F404009036	F404009048	—	4	25
—	—	—	F406009036	F406009048	—	6	16
—	—	—	—	F408009048	—	8	8
Bell End 45°							
—	F402004524	—	—	—	—	2	50
—	F403004524	—	F403004536	—	—	3	50
—	F404004524	—	F404004536	F404004548	—	4	25
—	—	—	F406004536	F406004548	—	6	16
—	—	—	—	F408004548	—	8	8
Bell End 22½°							
—	—	—	F402002236	—	—	2	50
—	F403002224	—	F403002236	—	—	3	50
—	—	—	F406002236	—	—	6	16

Call for availability on 30°, 22½°, & 11¼° special radius elbows

* LBE - Long Belled End

Product availability varies by region and minimum run quantities may apply

Listed to UL 651

PVC Elbows & Sweeps

Click brand for more product info ↓

Schedule 40 Special Radius Elbows

[Allied Tube & Conduit](#)
[Heritage Plastics](#)
[Queen City Plastics](#)



Part Number						Trade Size	Package Quantity
18" Radius	24" Radius	30" Radius	36" Radius	48" Radius	60" Radius		
Plain End 90°							
—	F401009024P	—	F401009036P	—	—	1	25
—	—	—	F401509036P	—	—	1½	25
F402009018P	F402009024P	—	F402009036P	F402009048P	—	2	50
—	F402509024P	—	F402509036P	—	—	2½	50
F403009018P	F403009024P	—	F403009036P	F403009048P	—	3	50
—	—	—	F403509036P	—	—	3½	25
—	F404009024P	—	F404009036P	F404009048P	F404009060P	4	25
—	—	—	F405009036P	F405009048P	—	5	20
—	—	—	F406009036P	F406009048P	F406009060P	6	16
—	—	—	—	F408009048P	—	8	8
Plain End 45°							
—	F402004524P	—	—	—	—	2	50
—	—	—	F404004536P	—	—	4	25
—	—	—	F406004536P	—	—	6	16
—	—	—	—	F408004548P	—	8	8
Plain End 22 ½°							
—	—	—	F406002236P	—	—	6	16

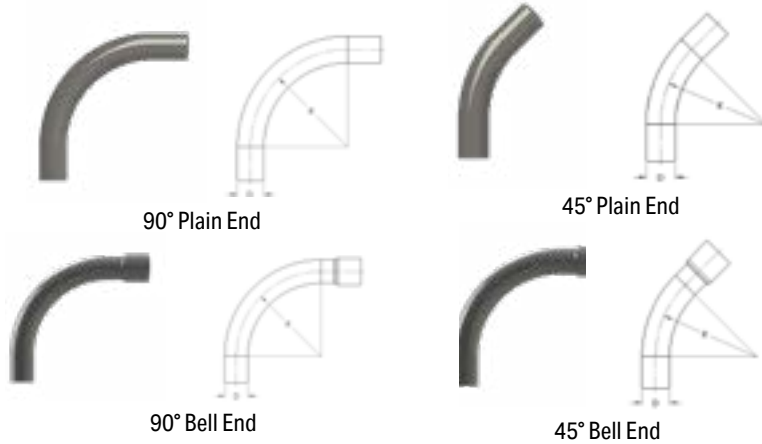
Call for availability on 30°, 22 ½°, & 11¼° special radius elbows
 Product availability varies by region and minimum run quantities may apply
 Listed to UL 651

PVC Elbows & Sweeps

Click brand for more product info ↓

[Allied Tube & Conduit](#)
[Heritage Plastics](#)
[Queen City Plastics](#)

Schedule 80 Standard Radius Elbows



Part Number		Trade Size	Dimensions (in)		Package Quantity
Plain End	Bell End		Average Outside Diameter, D	Radius R	
90°					
F8007590P	—	¾	1.050	4.50	25
F8010090P	—	1	1.315	5.75	25
F8012590P	—	1¼	1.660	7.25	25
F8015090P	—	1½	1.900	8.25	25
F8020090P	F8020090	2	2.375	9.50	25
F8025090P	—	2½	2.875	10.50	50
F8030090P	F8030090	3	3.500	13.00	50
F8040090P	—	4	4.500	16.00	25
F8050090P	—	5	5.563	24.00	20
F8060090P	—	6	6.625	30.00	16
45°					
F8020045P	—	2	2.375	9.50	25
F8030045P	—	3	3.500	13.00	50
F8040045P	—	4	4.500	16.00	25
30°					
F8040030P	—	4	4.500	16.00	25

Product availability varies by region and minimum run quantities may apply
 Listed to UL 651

PVC Elbows & Sweeps

Schedule 80 Special Radius Elbows

Click brand for more product info ↓

[Allied Tube & Conduit](#)
[Heritage Plastics](#)
[Queen City Plastics](#)



Part Number			Trade Size	Package Quantity
24" Radius	36" Radius	48" Radius		
Plain End 90°				
F802009024P	F802009036P	—	2	50
—	F802509036P	—	2½	50
F803009024P	F803009036P	—	3	50
F804009024P	F804009036P	F804009048P	4	25
—	F805009036P	—	5	20
—	F806009036P	—	6	16
Plain End 45°				
—	F805004536P	—	5	20

Call for availability on 30°, 22 ½° & 11¼° special radius elbows
 Product availability varies by region and minimum run quantities may apply
 Listed to UL 651



PVC COATED ELBOWS & SWEEPS

Allied Tube & Conduit
Calbond

Table of Contents

↓ [Click below to view product section](#)

[Standard Elbows](#)
[Special Radius Elbows](#)



PVC Coated Elbows & Sweeps

[Click brand for more product info](#) ↓

Standard Elbows

[Allied Tube & Conduit](#)
[Calbond](#)



Features:

- Exterior PVC coating thickness is a minimum 0.040"
- Interior urethane coating thickness is a minimum 0.002"
- Specialized corrosion resistant coating provided on threads
- Sizes available are ½" to 6"
- Available in 90, 60, 45, and 30 degree bends

Certifications & Compliances:

- UL/cUL listed in accordance to UL6 & ANSI C80.1 Standards
- UL/cUL listed rigid ferrous metal conduit with polyvinyl chloride coating verified for PVC adhesion performance
- Complies with NEMA RN1
- UL File Number E226472 (Steel)
- Alum UL E230584 (Aluminum)

Applications:

- PVC Coated GRC Standard Elbows are available in various degrees as required
- All elbows are manufactured from PVC coated conduit and meet all applicable standards

Options:

- Available in any degree of bend from 5° to 90°, and special radius



Part Number	Trade Size (in)	Metric Size (mm)	A Standard Radius (in)	B Offset (in)	T Tangent (in)	Weight per 100 (lb)
90° Steel Elbows						
PV0590EL00	½	16	4.250	6.000	1.700	70
PV0790EL00	¾	21	4.500	6.700	2.200	100
PV1090EL00	1	27	5.750	8.000	2.400	190
PV1290EL00	1¼	35	7.250	9.600	2.800	310
PV1590EL00	1½	41	8.250	10.600	2.600	400
PV2090EL00	2	53	9.500	12.000	3.500	640
PV2590EL00	2½	63	10.500	14.800	4.700	1,210
PV3090EL00	3	78	13.000	17.000	5.300	1,950
PV3590EL00	3½	91	15.000	20.900	6.100	2,630
PV4090EL00	4	103	16.000	21.000	6.500	3,280
PV5090EL00	5	129	24.000	32.000	11.200	6,750
PV6090EL00	6	155	30.000	41.000	12.100	10,510

All dimensions are for informational purposes only *Tolerances +/- 5%

PVC Coated Elbows & Sweeps

Click brand for more product info ↓

Standard Elbows

[Allied Tube & Conduit](#)
[Calbond](#)



Part Number	Trade Size (in)	Metric Size (mm)	A Standard Radius (in)	B Offset (in)	T Tangent (in)	Weight per 100 (lb)
90° Aluminum Elbows						
PA0790EL00	¾	21	4.5	6.7	2.2	42
PA1090EL00	1	27	5.8	8.0	2.4	76
PA1290EL00	1¼	35	7.3	9.6	2.8	118
PA1590EL00	1½	41	8.3	10.6	2.6	157
PA2090EL00	2	53	9.5	12.0	3.5	238
PA3090EL00	3	78	13.0	17.0	5.3	707
PA4090EL00	4	103	16.0	21.0	6.5	1114

All dimensions are for informational purposes only *Tolerances +/- 5%



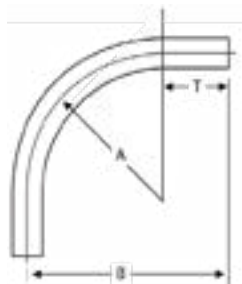
Part Number	Trade Size (in)	A (in)	B (in)	C (in)	T (in)	Cut Length (in)	Weight per 100 (lb)
45° Rigid Elbows							
PV4045EL00	4	16.0	29.2	12.1	10.5	33.5	2,930
30° Rigid Elbows							
PV4030EL00	4	16.0	25.4	6.75	9.3	27.0	2,320

PVC Coated Elbows & Sweeps

[Click brand for more product info](#) ↓

[Allied Tube & Conduit Calbond](#)

Special Radius Elbows



Features:

- Exterior PVC coating thickness is a minimum 0.040"
- Interior Urethane coating thickness is a minimum 0.002"
- Sizes available are ½" to 6"
- Available in 90, 60, 45, and 30 degree bends

Certifications & Compliances:

- UL/cUL listed in accordance to UL6 & ANSI C80.1 Standards
- UL/cUL listed rigid ferrous metal conduit with polyvinyl chloride coating verified for PVC adhesion performance
- Complies with NEMA RN1
- UL File # E226472

Applications:

- PVC Coated Elbows are available in special radius dimensions and in various degrees as required
- All elbows are manufactured from PVC coated conduit and meet all applicable standards

Options:

- Available in any degree of bend from 5° to 90°, and special radius



Trade Size	24 Inch Radius				36 Inch Radius				48 Inch Radius			
(in)	Part Number	B (in)	T (in)	Wt (lb)	Part Number	B (in)	T (in)	Wt (lb)	Part Number	B (in)	T (in)	Wt (lb)
Steel Elbows												
1	—	—	—	—	PV1036SW90	47	11	10	—	—	—	—
2	—	—	—	—	PV2036SW90	47	11	23.3	—	—	—	—
2 ½	PV2524SW90	35	11	28	—	—	—	—	—	—	—	—
3	—	—	—	—	PV3036SW90	47	11	50.7	PV3048SW90	60	12	63.3
3 ½	—	—	—	—	PV3536SW90	47	11	60	—	—	—	—
4	—	—	—	—	PV4036SW90	47	11	70	PV4048SW90	60	12	87.5
5	—	—	—	—	PV5036SW90	47	11	93.3	PV5048SW90	60	12	116.7
Aluminum Elbows												
2	PA2024SW90	35	11	—	—	—	—	—	—	—	—	—

All dimensions are for informational purposes only *Tolerances +/- 5%



FITTINGS



Allied Tube & Conduit

Calconduit

Heritage Plastics

Queen City Plastics

Fittings - Table of Contents

↓ [Click below to view product section](#)

- Aluminum Rigid Conduit (ARC) Fittings
 - Die Cast Fittings
 - EMT Fittings
 - Flex AC & MC Fittings
- Form 5 Aluminum Conduit Bodies
- Galvanized Rigid Conduit (GRC) Fittings
- Liquidtight Fittings
- Miscellaneous Fittings
- PVC Fittings
- PVC Coated Fittings
- Rigid Fittings



ALUMINUM RIGID CONDUIT (ARC) FITTINGS

Allied Tube & Conduit
Calconduit

Table of Contents

↓ [Click below to view product section](#)

[ARC Couplings](#)
[ARC Nipples](#)

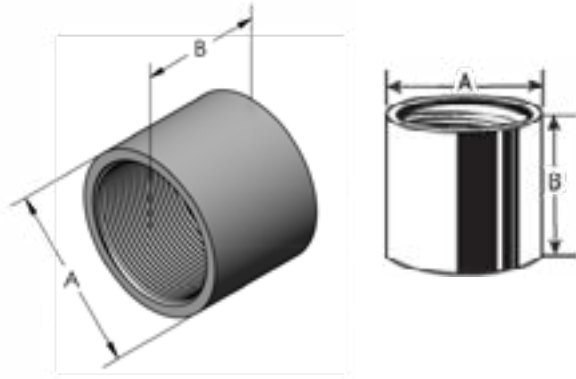


Aluminum Rigid Conduit (ARC) Fittings

Click brand for more product info ↓

Allied Tube & Conduit
Calconduit

ARC Couplings



Features:

- Corrosion resistant aluminum
- Low maintenance, doesn't leave discoloring streaks or stains

Standard Materials:

- 6063 alloy in temper designation T-1

Certifications & Compliances:

- Listed to UL Safety Standard 6A
- Manufactured in accordance with ANSI C80.5



Part Number	Trade Size		Nominal Outside Dimensions (A)		Minimal Acceptable Length (B)		Threads Per Inch	Approximate Weight Per 100 Pieces		Standard Package
	(in)	(mm)	(in)	(mm)	(in)	(mm)		(lb)	(kg)	
732323	1/2	16	1.078	27.38	1 5/8	41.3	14	6	2.7	100
732324	3/4	21	1.328	33.73	1 4/64	41.7	14	9	4.1	50
732325	1	27	1.562	39.67	1 3/32	50.0	11 1/2	13	5.9	30
732326	1 1/4	35	1.953	49.61	2 1/32	51.6	11 1/2	19	8.6	25
732327	1 1/2	41	2.219	56.36	2 1/6	52.4	11 1/2	23	10.4	25
732328	2	53	2.750	69.85	2 1/8	54.4	11 1/2	35	15.9	15
732329	2 1/2	63	3.281	83.34	3 3/16	81.0	8	68	30.8	20
732330	3	78	3.812	96.84	3 5/16	84.1	8	91	41.3	15
732331	3 1/2	91	4.438	112.71	3 13/32	86.5	8	108	49.0	12
732332	4	103	5.000	127.00	3 33/64	89.3	8	142	64.4	12
732333	4 1/2	129	6.219	157.96	3 61/64	100.4	8	242	109.8	8
732334	6	155	7.312	185.74	4 1/4	108.0	8	320	145.2	6

¹Minimum requirement as per CSA Standard

²For information only, not a requirement as per CSA Standard
Sizes 2 1/2 (63) and larger shipped in palletized cartons or bulk.

Aluminum Rigid Conduit (ARC) Fittings

ARC Nipples

Click brand for more product info ↓
Allied Tube & Conduit



Features:

- Corrosion resistant aluminum
- Low maintenance, doesn't leave discoloring streaks or stains

Standard Materials:

- 6063 alloy in temper designation T-1

Certifications & Compliances:

- Listed to UL Safety Standard 6A
- Manufactured in accordance with ANSI C80.5



Part Number	Trade Size		Lenth (A)		Total Thread Length (B)		Threads Per Inch	Approximate Weight Per 100 Pieces		Standard Package
	(in)	(mm)	(in)	(mm)	(in)	(mm)		(lb)	(kg)	
119284	½	16	(Close) 1 ⅛	29	0.78	19.8	14	2	0.9	25
119293	¾	21	(Close) 1 ¾	35	0.79	20.1	14	3	1.4	25
119302	1	27	(Close) 1 ½	38	0.98	24.9	11.5	4	1.8	25
119311	1 ¼	35	(Close) 1 ⅝	41	1.01	25.7	11.5	6	2.7	25
119320	1 ½	41	(Close) 1 ¾	44	1.03	26.2	11.5	9	4.1	25
119329	2	53	(Close) 2	51	1.06	26.9	11.5	14	6.4	25
119338	2 ½	64	(Close) 2 ½	59	1.35	34.0	8	20	9.3	20
119345	3	78	(Close) 2 ⅝	67	1.63	41.4	8	27	12.2	10
119358	4	103	(Close) 2 ⅞	73	1.73	43.9	8	39	17.7	5



DIE CAST FITTINGS

Allied Tube & Conduit

Table of Contents

↓ [Click below to view product section](#)

[Squeeze Connectors for Flex](#)



Die Cast Fittings

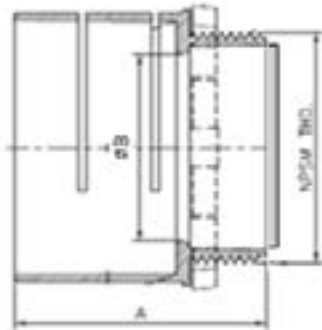
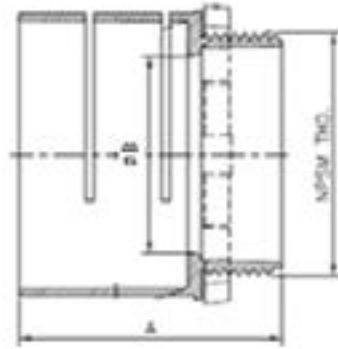
Squeeze Connectors for Flex

Click brand for more product info ↓

[Allied Tube & Conduit](#)



Non-Insulated



Features:

- Male hub threads - NPSM
- Used for armored cable, flexible metal conduit, interlock metal clad cables, HCF cables

Standard Materials:

- Zinc Die Cast
- Insuliner - Polycarbonate

Standard Finish:

- Vibratory Finish

Certifications & Compliances:

- UL Standard: 514B
- UL Listed File E207875
- RoHS compliant



Part Number	Trade Size (in)	Dim A (in)	Dim B (in)	Inner Pack	Master Pack	Weight Per C (lb)
Non-Insulated						
MSCD50KON	1/2	1.38	0.59	30	300	7.2
MSCD75KON	3/4	1.54	0.77	18	180	11.6
MSCD125KON	1 1/4	1.79	1.19	8	80	21.9



EMT FITTINGS

Allied Tube & Conduit

Table of Contents

↓ [Click below to view product section](#)

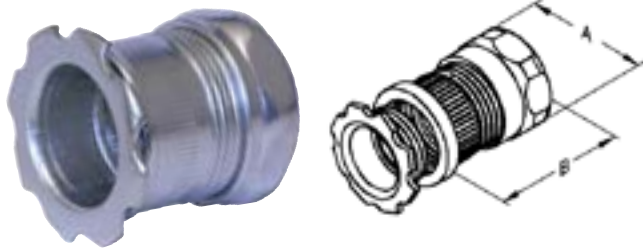
- Steel Compression Space Saver And Steel Set Screw Space Saver
- Steel EMT Compression Connectors
- Steel EMT Compression Couplings
- Steel EMT Compression to Threaded Rigid Couplings
- Steel EMT Raintight Compression Connectors
- Steel EMT Raintight Compression Couplings
- Steel EMT Set Screw Connectors
- Steel EMT Set Screw Couplings
- Steel Straps for EMT Conduit - One Hole and Two Hole



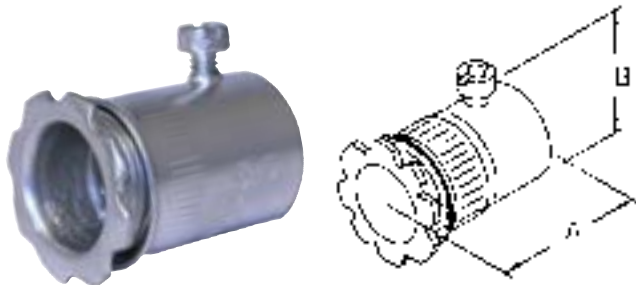
EMT Fittings

Click brand for more product info
[Allied Tube & Conduit](#)

Steel Compression Space Saver and Steel Set Screw Space Saver



Steel Compression Space Saver



Steel Set Screw Space Saver

Features:

- Eliminates need to purchase insulated throat steel fittings or conduit bushings in 1/2", 3/4" and 1" trade sizes
- Affords additional wiring room in junction boxes (see illustrations)
- Excellent for low voltage applications
- Heavy steel walls
- Concrete tight when taped
- RoHS compliant

Standard Materials:

- Steel

Standard Finish:

- Zinc plated

Certifications & Compliances:

- UL Standard: 514B
- Fed. Spec. W-F-408E
- NEMA: FB-1
- UL Listed File # E20007

Steel Compression Space Saver

Part Number	Trade Size	Dim A	Dim B	Master Pack	Weight Per 100 Pieces
	(in)	(in)	(in)		(lb)
CSSC-50KON	1/2	1.250	1.125	50	10.7
CSSC-75KON	3/4	1.438	1.375	25	15.6
CSSC-100KON	1	1.875	1.688	25	30.3

CSSC is concrete tight

Steel Set Screw Space Saver

Part Number	Trade Size	Dim A	Dim B	Master Pack	Weight Per 100 Pieces
	(in)	(in)	(in)		(lb)
SSC-75KON	3/4	1.063	1.125	25	10.9

SSC is concrete tight when taped



Wiring room using conventional steel connectors 165



Wiring room using Space Saver Steel connectors

EMT Fittings

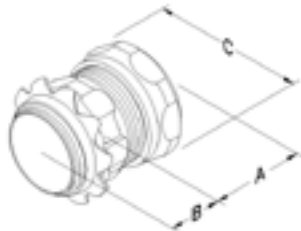
Click brand for more product info ↓

[Allied Tube & Conduit](#)

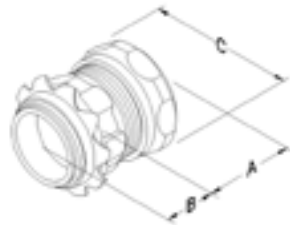
Steel EMT Compression Connectors



Non-Insulated



Insulated



Features:

- Male hub threads - NPSM
- Steel locknuts
- Heavy steel walls
- Concrete tight
- UL listed for steel and aluminum EMT conduit
- RoHS compliant

Standard Materials:

- Nylon
- Steel

Standard Finish:

- Zinc plated

Certifications & Compliances:

- UL Standard: 514B
- Fed. Spec. A-A-50553A
- NEMA: FB-1
- UL Listed File # E200730



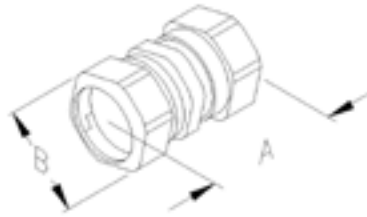
Part Number	Trade Size	Dim A	Dim B	Dim C	Inner Pack	Master Pack	Weight Per 100 Pieces
	(in)	(in)	(in)	(in)			(lb)
Steel Compression Connectors							
CC50RKON	½	0.625	0.437	1.125	50	500	10.6
CC75RKON	¾	0.688	0.437	1.375	25	250	17.0
CC100RKON	1	0.688	0.500	1.688	20	200	22.7
CC125RKON	1 ¼	0.938	0.625	2.063	10	100	40.6
CC150RKON	1 ½	1.063	0.625	2.250	10	100	49.9
CC200RKON	2	1.125	0.687	2.750	5	50	66.8
CC250RKON	2 ½	1.688	0.750	3.625	-	8	176.8
CC300RKON	3	1.688	0.875	4.250	-	6	234.3
CC350RKON	3 ½	1.813	0.937	4.688	-	4	287.3
CC400RKON	4	1.813	0.937	5.188	-	4	342.6
With Insulated Throat							
CC50-ICRKON	½	0.625	0.500	1.125	50	500	10.7
CC75-ICRKON	¾	0.688	0.500	1.375	25	250	17.1
CC100-ICRKON	1	0.688	0.563	1.688	20	200	22.9
CC125-ICRKON	1 ¼	0.938	0.688	2.063	10	100	41.0
CC150-ICRKON	1 ½	1.063	0.688	2.250	10	100	50.4
CC200-ICRKON	2	1.125	0.750	2.750	5	50	67.4
CC250-ICRKON	2 ½	1.688	0.813	3.625	-	8	178.1
CC300-ICRKON	3	1.688	0.938	4.250	-	6	235.7
CC350-ICRKON	3 ½	1.813	1.000	4.688	-	4	289.1
CC400-ICRKON	4	1.813	1.000	5.188	-	4	344.9

EMT Fittings

Steel EMT Compression Couplings

Click brand for more product info ↓

[Allied Tube & Conduit](#)



Features:

- Heavy steel walls
- Concrete tight
- UL Listed for steel and aluminum EMT conduit
- RoHS compliant

Standard Materials:

- Steel

Standard Finish:

- Zinc plated

Certifications & Compliances:

- UL Standard: 514B
- Fed. Spec. A-A-50553A
- NEMA: FB-1
- UL Listed File # E200730

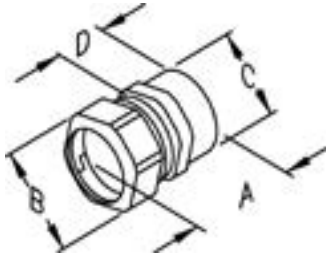


Part Number	Trade Size	Dim A	Dim B	Inner Pack	Master Pack	Weight Per 100 Pieces
	(in)	(in)	(in)			(lb)
CK50RKON	½	1.625	1.125	50	500	14.0
CK75RKON	¾	1.750	1.375	25	250	21.3
CK100RKON	1	1.875	1.688	20	200	28.0
CK125RKON	1¼	2.250	2.063	10	100	48.5
CK150RKON	1½	2.250	2.250	10	100	59.5
CK200RKON	2	2.375	2.750	5	50	78.9
CK250RKON	2½	3.875	3.625	-	8	205.5
CK300RKON	3	4.000	4.250	-	6	263.0
CK350RKON	3½	4.063	4.688	-	4	309.4
CK400RKON	4	4.938	5.188	-	4	393.4

EMT Fittings

Steel EMT Compression to Threaded Rigid Couplings

Click brand for more product info ↓
[Allied Tube & Conduit](#)



Features:

- Pre-set and staked tri-head screws
- Heavy steel walls
- Concrete tight

Standard Materials:

- Steel

Standard Finish:

- Zinc plated

Certifications & Compliances:

- UL Standard: 514B
- Fed. Spec. A-A-50553A
- NEMA: FB-1
- UL Listed File # E207875

Applications:

- To join EMT to Rigid or IMC



Part Number	Trade Size	Dim A	Dim B	Dim C	Dim D	Master Pack	Weight Per 100 Pieces
	(in)	(in)	(in)	(in)	(in)		(lb)
ERC100KON	1	1.500	1.688	1.375	0.938	110	19.7

EMT Fittings

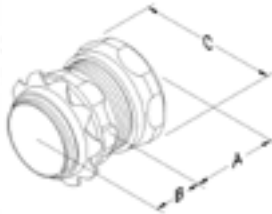
Click brand for more product info ↓

[Allied Tube & Conduit](#)

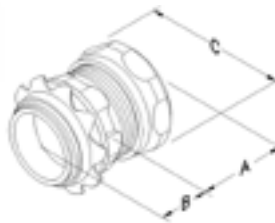
Steel EMT Raintight Compression Connectors



Non-Insulated



Insulated



Features:

- Male hub threads - NPSM
- Steel locknuts
- Heavy steel walls
- Raintight - Wet locations
- Concrete tight
- Blue nut eases identification
- Suitable for use outdoors
- RoHS compliant

Standard Materials:

- Steel
- Neoprene rubber
- Nylon compression ring

Standard Finish:

- Zinc plated

Certifications & Compliances:

- UL Standard: 514B
- Fed. Spec. A-A-50553A
- NEMA: FB-1
- UL Listed File # E200730

U.S. Patent No. 8.129.633



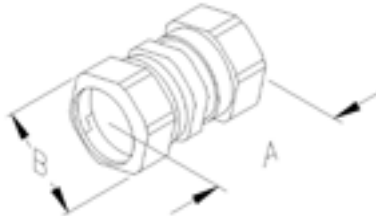
Part Number	Trade Size (in)	Dim A (in)	Dim B (in)	Dim C (in)	Inner Pack	Master Pack	Weight Per 100 Pieces (lb)
Raintight Compression Fittings							
CCR-50KON	½	0.625	0.438	1.125	50	500	10.6
CCR-75KON	¾	0.688	0.438	1.375	25	250	17.0
CCR-100KON	1	0.688	0.500	1.688	20	200	22.7
CCR-125KON	1 ¼	0.938	0.625	2.063	10	100	40.6
CCR-150KON	1 ½	1.063	0.625	2.250	10	100	49.9
CCR-200KON	2	1.125	0.688	2.750	5	50	66.8
CCR-250KON	2 ½	1.688	0.750	3.625	-	8	176.8
CCR-300KON	3	1.688	0.875	4.250	-	6	234.3
CCR-350KON	3 ½	1.813	0.938	4.688	-	4	287.3
CCR-400KON	4	1.813	0.938	5.188	-	4	342.6
With Insulated Throat							
CCR50-ICKON	½	0.625	0.500	1.125	50	500	10.7
CCR75-ICKON	¾	0.688	0.500	1.375	25	250	17.1
CCR100-ICKON	1	0.688	0.563	1.688	20	200	22.9
CCR200-ICKON	2	1.125	0.750	2.750	5	50	67.4
CCR300-ICKON	3	1.688	0.938	4.250	-	6	235.7
CCR400-ICKON	4	1.813	1.000	5.188	-	4	344.9

EMT Fittings

Steel EMT Raintight Compression Couplings

Click brand for more product info ↓

[Allied Tube & Conduit](#)



Features:

- Heavy steel walls
- Raintight - Wet locations
- Concrete tight
- Blue nut eases identification
- Suitable for use outdoors
- RoHS compliant

Standard Materials:

- Steel
- Nylon compression ring

Standard Finish:

- Zinc plated

Certifications & Compliances:

- UL Standard: 514B
- Fed. Spec. A-A-50533A
- NEMA: FB-1
- UL Listed File # E200730



Part Number	Trade Size	Dim A	Dim B	Inner Pack	Master Pack	Weight Per 100 Pieces
	(in)	(in)	(in)			(lb)
CKR-50KON	½	1.625	1.125	50	500	14.0
CKR-75KON	¾	1.750	1.375	25	250	21.3
CKR-100KON	1	1.875	1.688	20	200	28.0
CKR-125KON	1¼	2.250	2.063	10	100	48.5
CKR-150KON	1½	2.250	2.250	10	100	59.5
CKR-200KON	2	2.750	2.750	5	50	78.9
CKR-250KON	2½	3.875	3.625	-	8	205.5
CKR-300KON	3	4.000	4.250	-	6	263.0
CKR-350KON	3½	4.688	4.688	-	4	309.4
CKR-400KON	4	4.938	5.188	-	4	393.4

EMT Fittings

Click brand for more product info ↓

[Allied Tube & Conduit](#)

Steel EMT Set Screw Connectors



Features:

- Pre-set and staked tri-head screws 1/2" thru 2"
- Hex head screws 2 1/2" thru 4"
- Male hub threads - NPSM
- Steel locknuts
- Heavy steel walls
- Concrete tight when taped
- UL listed for Steel EMT Conduit
- RoHS compliant

Standard Materials:

- Nylon
- Steel

Standard Finish:

- Zinc plated

Certifications & Compliances:

- UL Standard: 514B
- Fed. Spec. A-A-50553A
- NEMA: FB-1
- UL Listed File # E200730 sizes 1/2" thru 2"
- UL Listed File # E207875 sizes 2 1/2" thru 4"

Part Number	Trade Size (in)	Dim A (in)	Dim B (in)	Inner Pack	Master Pack	Weight Per 100 Pieces (lb)
Non-Insulated						
SC50RKON	1/2	0.880	1.500	50	500	8.6
SC75RKON	3/4	1.130	1.560	25	250	12.8
SC100RKON	1	1.380	1.810	20	200	20.2
SC125RKON*	1 1/4	1.380	2.250	10	100	35.6
SC150RKON*	1 1/2	2.750	2.310	10	100	45.1
SC200RKON*	2	2.000	2.380	5	50	63.6
SC250RKON*^	2 1/2	3.440	3.190	-	8	130.0
SC300RKON*^	3	3.130	3.810	-	6	140.0
SC350RKON*^	3 1/2	4.250	4.310	-	4	180.0
SC400RKON*^	4	4.750	4.880	-	4	225.0
Insulated						
SC50-ICRKON	1/2	0.880	1.500	50	500	8.7
SC75-ICRKON	3/4	1.130	1.560	25	250	12.9
SC100-ICRKON	1	1.380	1.810	20	200	20.4
SC125-ICRKON*	1 1/4	1.750	2.250	10	100	36.0
SC150-ICRKON*	1 1/2	2.000	2.310	10	100	45.6
SC200-ICRKON*	2	2.438	2.380	5	50	64.2
SC250-ICRKON*^	2 1/2	3.125	3.190	-	8	131.3
SC300-ICRKON*^	3	3.750	3.810	-	6	141.4
SC400-ICRKON*^	4	4.750	4.880	-	4	227.3

* Furnished with two set screws

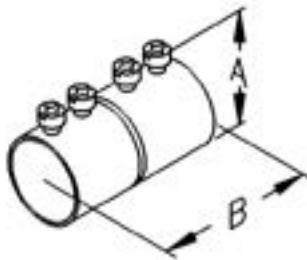
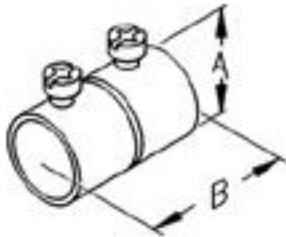
^ UL and cUL us Listed for EMT, IMC and Rigid conduit, screw heads are hex shaped

EMT Fittings

Click brand for more product info ↓

[Allied Tube & Conduit](#)

Steel EMT Set Screw Couplings



Features:

- Pre-set and staked tri-head screws 1/2" thru 2"
- Hex head screws 2 1/2" thru 4"
- Heavy steel walls
- Concrete tight when taped
- UL listed for Steel EMT Conduit
- RoHS compliant

Standard Materials:

- Steel

Standard Finish:

- Zinc plated

Certifications & Compliances:

- UL Standard: 514B
- Fed. Spec. A-A-50553A
- NEMA: FB-1
- UL Listed File # E200730 sizes 1/2" thru 2"
- UL Listed File # E207875 sizes 2 1/2" thru 4"

Part Number	Trade Size	Dim A	Dim B	Inner Pack	Master Pack	Weight Per 100 Pieces
	(in)	(in)	(in)			(lb)
SK50RKON	1/2	0.875	1.625	50	500	7.8
SK75RKON	3/4	1.130	1.875	25	250	12.7
SK100RKON	1	1.190	2.313	20	200	19.6
SK125RKON*	1 1/4	1.750	2.064	10	100	40.2
SK150RKON*	1 1/2	2.000	3.000	10	100	57.5
SK200RKON*	2	2.440	3.250	5	50	64.6
SK250RKON*^	2 1/2	3.130	4.000	-	8	130.0
SK300RKON*^	3	3.750	4.250	-	6	140.0
SK350RKON*^	3 1/2	4.250	4.500	-	4	216.6
SK400RKON*^	4	4.750	4.750	-	4	250.0

* Furnished with four set screws

^ Indicates UL and CUL. Listed for EMT, IMC and Rigid conduit, screw heads are hex shaped

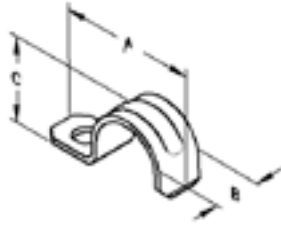
EMT Fittings

Steel Straps for EMT Conduit - One and Two Hole

Click brand for more product info
[Allied Tube & Conduit](#)



One Hole Straps



Standard Materials:

- Steel

Standard Finish:

- Zinc plated

Certifications & Compliances:

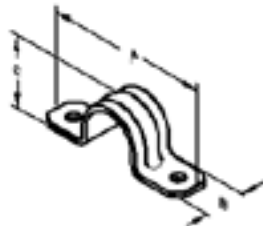
- UL Standard: 2239
- UL Listed File # E213669

Applications:

- One Hole Straps click on type for EMT conduit
- Two Hole Straps snap on type for EMT conduit where higher load bearing is required



Two Hole Straps



Part Number	Trade Size	Dim A	Dim B	Dim C	Inner Pack	Master Pack	Weight Per 100 Pieces
	(in)	(in)	(in)	(in)			(lb)
One Hole Straps							
SE50-1KON	½	1.750	0.688	0.563	100	1000	2.0
SE75-1KON	¾	2.000	1.000	0.625	100	1000	3.0
SE100-1KON	1	2.188	1.063	0.750	100	500	5.5
SE125-1KON	1 ¼	2.875	1.563	0.875	50	500	9.0
SE150-1KON	1 ½	3.125	1.750	1.000	25	100	13.0
SE200-1KON	2	3.875	1.175	1.125	25	100	22.5
SE400-1KON*	4	6.813	4.375	1.250	-	10	47.0
Two Hole Straps							
SE50-2KON	½	2.188	0.813	0.563	250	2500	1.5
SE75-2KON	¾	2.688	1.000	0.625	-	200	2.0
SE100-2KON	1	3.000	1.188	0.688	-	100	4.0
SE150-2KON	1 ½	4.250	1.750	0.875	-	50	6.5
SE200-2KON	2	4.750	2.313	1.000	-	25	11.0
SE250-2KON*	2 ½	6.000	2.875	1.000	-	25	20.0
SE300-2KON*	3	6.438	3.438	1.000	-	20	22.0
SE400-2KON*	4	7.875	4.438	1.000	-	10	29.0

* Note: Can be used on Rigid/IMC



FLEX AC & MC FITTINGS

Allied Tube & Conduit

Table of Contents

↓ [Click below to view product section](#)

- Double Bite Quicklock Type Connectors with Insulated Throat for Flex, AC, MC, MCI-A cables
- Quicklock Type Connectors with Insulated Throats for Flex, AC, MC, MCI-A cables
- Squeeze Connectors for Flex, AC, MC Cables
- Squeeze Connectors 90° for Flex, AC, MC Cables

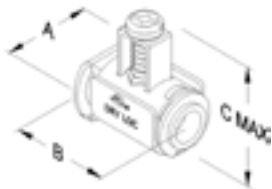


Flex AC & MC Fittings

Click brand for more product info ↓

[Allied Tube & Conduit](#)

Double Bite Quicklock Type Connectors with Insulated Throat for Flex, AC, MC, MCI-A cables



Features:

- No locknut required
- Double bite
- Easy to install. Just tilt, insert and snap down
- Single unit construction eliminates loose component parts, integral green plastic insulated throat bushing provides maximum protection for wire installation
- Double clamp for better grip will not damage the wire
- UL approved for a wide range of cables
- RoHS compliant

Standard Materials:

- Steel

Standard Finish:

- Zinc plated

Certifications & Compliances:

- UL Standard: 514B
- Fed. Spec. AA-50552
- UL Listed File # E238299

Applications:

- For connecting Flex, AC, MC, MCI-A and HCF cable

U.S. Patent No. 8.646.813



Part Number	Trade Size (in)	Dim A (in)	Dim B (in)	Dim C (in)	Inner Pack	Master Pack	Weight Per C (lb)
QL-50DBKON	1/2	1.000	1.460	1.780	25	125	7.5

Cable Type	1/2" KO
AC STEEL	14/2, 14/3, 14/4, 12/2, 12/3, 12/4, 10/2, 10/3, 10/4, 8/2 (.470-.665 dia)
AC ALUMINUM	14/2, 14/3, 14/4, 12/2, 12/3, 12/4, 10/2, 10/3, 10/4 (.450-.635 dia)
AC STEEL HCF	.470 - .665 dia.
AC ALUMINUM HCF	.410 - .650 dia.
MCI STEEL	14/2, 14/3, 14/4, 12/2, 12/3, 12/4, 10/2, 10/3 (.410-.610 dia)
MCI ALUMINUM	14/2, 14/3, 14/4, 12/2, 12/3, 12/4, 10/2, 10/3, 10/4 (.410-.650)
MCI STEEL HCF	.410 - .610 dia.
MCI ALUMINUM HCF	.410 - .650 dia.
MCI-A STEEL	14/2, 14/3, 14/4, 12/2, 12/3, 12/4, 10/2, 10/3, 10/4 (.410-.630 dia)
MCI-A ALUMINUM	14/2, 14/3, 14/4, 12/2, 12/3, 12/4, 10/2, 10/3, 10/4, 8/2 (.410-.610 dia)
FLEX STEEL and ALUMINUM	3/8

Bolded information indicates new sizes available

Concrete tight when taped and used with PVC jacketed Cable

Flex AC & MC Fittings

Click brand for more product info ↓

[Allied Tube & Conduit](#)

Quicklock Type Connectors with Insulated Throats for Flex, AC, MC, MCI-A cables



QLKON

QL-DKON

Features:

- No locknut required
- Single cable or duplex construction with captive clamp
- Easy to install. Just tilt, insert and snap down
- Single unit construction eliminates loose component parts, integral green plastic insulated throat bushing provides maximum protection for wire installation
- RoHS compliant

Standard Finish:

- Zinc plated

Certifications & Compliances:

- UL Standard: 514B, Armored Cable Connectors, Type AC, Armored Cable Connectors Type AC - Certified for Canada
- Fed. Spec. A-A-50552
- ANSI/NEMA FB-1
- UL Listed File # E238299

Applications:

- For connecting Flex, AC, MC, MCI-A and HCF cable



Standard Materials:

- Steel

Part Number	Trade Size	Dim A	Dim B	Dim C	Inner Pack	Master Pack	Weight Per C
	(in)	(in)	(in)	(in)			(lb)
QL-50KON	½ Single	1.440	0.880	0.440	50	500	7.5
QL-50DKON**	½ Duplex	1.630	1.310	0.560	25	250	10.2
QL-75KON	¾ Single	1.690	1.690	0.560	25	250	14.4

Cable Type	QI-50KON ½" KO	QI-75KON ¾" KO	QI-50DKON** ½" KO
AC STEEL	14/2, 14/3, 14/4, 12/2, 12/3, 12/4, 10/2, 10/3	10/4, 10/5, 8/3, 8/4, 6/3	14/2, 14/3, 14/4, 12/2, 12/3, 12/4
AC ALUMINUM	14/2, 14/3, 14/4, 12/2, 12/3, 12/4	10/4, 8/2, 8/3, 8/4	14/2, 14/3, 14/4, 12/2, 12/3, 12/4
MC STEEL	14/2*, 14/3*, 14/4*, 12/2*, 12/3*, 12/4*, 10/2*	10/3*, 10/4*, 8/2*	14/2, 14/3, 14/4, 12/2, 12/3, 12/4, 10/2, 10/3
MC ALUMINUM INTERLOCKED	14/2, 14/3, 14/4, 12/2, 12/3, 12/4, 10/2	10/3, 10/4, 8/2	14/2, 14/3, 14/4, 12/2, 12/3, 12/4, 10/2, 10/3
MC ALUMINUM	14/3, 14/4, 12/2*, 12/3*, 12/4, 10/2, 10/3		
MC ALUMINUM FLEX	12/3		
FLEX RW	3/8 Steel and Aluminum		
MCI-A	.500 - .610 12/4, 12/6, 12/8, 10/4		.410 - .590 14/3, 14/4, 12/2, 12/3, 12/4, 12/6, 12/8, 10/2, 10/3, 10/4

* Concrete tight when taped and used with PVC jacketed MC cable

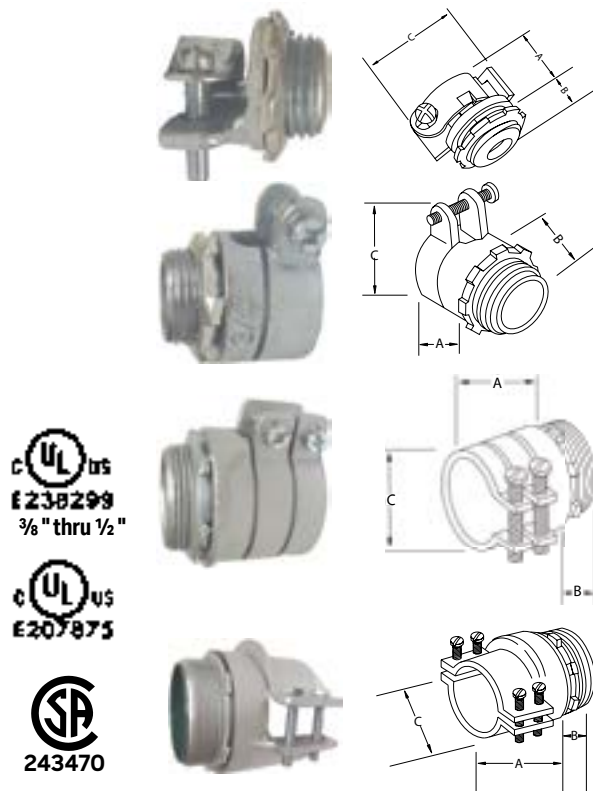
** Accepts 2 cables of each size listed

* The U.L. Requirement for "concrete-tight" means there shall be no entrance of concrete aggregate into the fitting or the outlet box, conduit, or cable," etc. A minimum of two-half-lapped layers of electrical tape, e.g., 2M's #88 or equivalent is recommended.

Flex AC & MC Fittings

Squeeze Connectors for Flex, AC, MC Cables

Click brand for more product info
[Allied Tube & Conduit](#)



UL US
 E238299
 3/8" thru 1/2"

UL US
 E207875

SA
 243470

Features:

- Male hub threads - NPSM
- RoHS compliant

Standard Materials:

- Malleable Iron / Ductile Iron
- Steel locknut

Standard Finish:

- Zinc plated

Certifications & Compliances:

- UL Standard: 514B
- Fed. Spec. A-A-50552
- NEMA: FB-1
- UL Listed File # E238299 3/8" through 1/2"
- UL Listed File # E207875
- CSA 243470

Applications:

- For armored cable, flexible metal conduit, interlocked metal clad cables, HCF cables

Part Number	Trade Size	Dim A	Dim B	Dim C	Inner Pack	Master Pack	Weight Per C
	(in)	(in)	(in)	(in)			(lb)
Non-Insulated							
MSC50KON	1/2	1.000	0.438	1.625	25	125	13.3
MSC75KON	3/4	1.125	0.500	1.750	20	100	16.7
MSC125KON	1 1/4	1.188	0.563	2.188	10	50	39.8

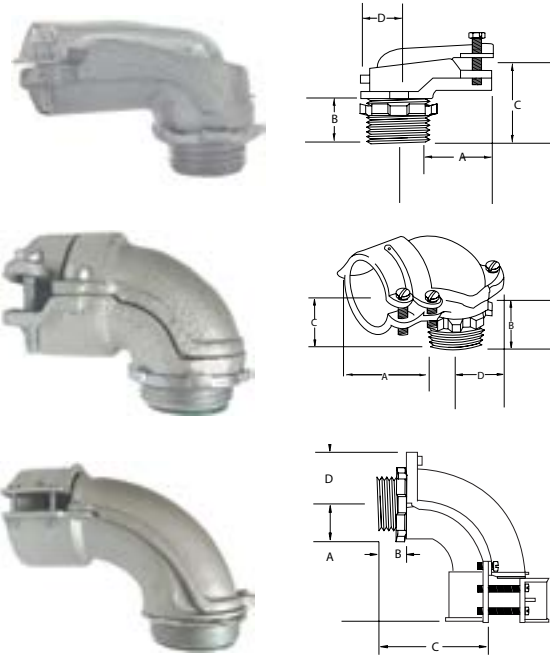
^ 2 1/2 to 4" zinc plated and painted
 Only for 3/8"

Flex AC & MC Fittings

Squeeze Connectors 90° for Flex, AC, MC Cables

Click brand for more product info ↓

[Allied Tube & Conduit](#)



Features:

- Male hub threads - NPSM
- RoHS compliant

Standard Materials:

- Malleable Iron / Ductile Iron
- Steel locknut
- Stamped steel covers

Standard Finish:

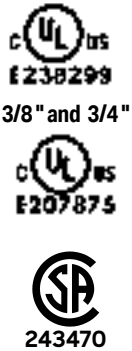
- Zinc plated

Certifications & Compliances:

- UL Standard: 514B
- CSA 243470
- Fed. Spec. A-A-50552
- NEMA: FB-1
- UL Listed File # E238299 3/8" and 3/4"
- UL Listed File # E207875

Applications:

- For armored cable, flexible metal conduit, interlocked metal clad cables, HCF cables



Part Number	Trade Size	Dim A	Dim B	Dim C	Dim D	Inner Pack	Master Pack	Weight Per C
	(in)	(in)	(in)	(in)	(in)			(lb)
Non-Insulated								
MSC7590KON*	3/4	1.813	0.500	1.125	0.625	10	50	24.5

^ 2 1/2 to 4 zinc plated and painted

*Stamped steel covers



FORM 5 ALUMINUM CONDUIT BODIES

Allied Tube & Conduit

Table of Contents

↓ [Click below to view product section](#)

- Form 5 Aluminum Conduit Bodies (Type C)
- Form 5 Aluminum Conduit Bodies (Type LB)
- Form 5 Aluminum Conduit Bodies (Type LL)
- Form 5 Aluminum Conduit Bodies (Type T)



Form 5 Aluminum Conduit Bodies

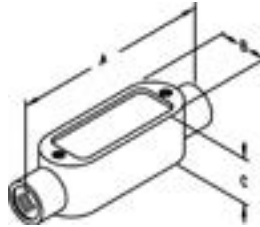
Click brand for more product info ↓

[Allied Tube & Conduit](#)

Form 5 Aluminum Conduit Bodies (Type C)



ACKON



Features:

- Tapered threaded hubs - NPT
- Suitable for use in concrete
- Wet location

Standard Materials:

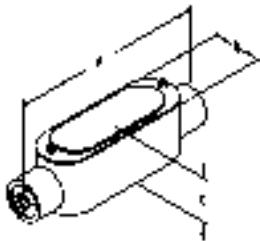
- Die cast aluminum
- Covers - Stamped aluminum
- Gasket - Neoprene rubber

Certifications & Compliances:

- UL Standard: 514A
- Fed. Spec. A-A-50563
- NEMA: FB-1
- UL Listed File # E208392



AC-CGKON
Cover & Gasket Included



Applications:

- To provide access to conductors for pulling, splicing and maintenance



Part Number	Trade Size	Dim A	Dim B	Dim C	Inner Pack	Master Pack	Weight Per 100 Pieces
	(in)	(in)	(in)	(in)			(lb)
Aluminum Die Cast Threaded C Conduit Bodies with Stamped Aluminum Cover and Neoprene Gasket							
AC1CGKON	½	4.688	1.375	1.563	10	100	27.5
AC2CGKON	¾	5.500	1.563	1.750	10	50	40.5
AC3CGKON	1	6.063	1.750	2.125	5	25	56.3

Form 5 Aluminum Conduit Bodies

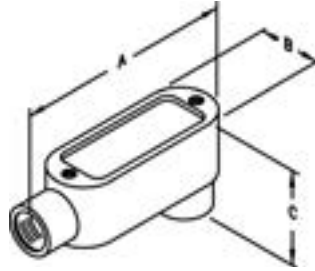
Click brand for more product info ↓

[Allied Tube & Conduit](#)

Form 5 Aluminum Conduit Bodies (Type LB)



ALBKON



Features:

- Tapered threaded hubs - NPT
- Suitable for use in concrete
- Wet location

Standard Materials:

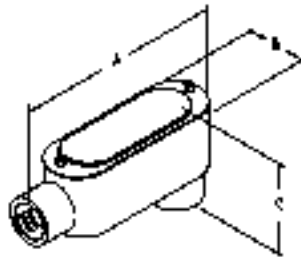
- Die cast aluminum
- Covers - Stamped aluminum
- Gasket - Neoprene rubber

Certifications & Compliances:

- UL Standard: 514A
- Fed. Spec. A-A-50563
- NEMA: FB-1
- UL Listed File # E208392



ALB-CGKON
Cover & Gasket Included



Applications:

- To provide access to conductors for pulling, splicing and maintenance



Part Number	Trade Size	Dim A	Dim B	Dim C	Inner Pack	Master Pack	Weight Per 100 Pieces
	(in)	(in)	(in)	(in)			(lb)
Aluminum Die Cast Threaded LB Conduit Bodies with Stamped Aluminum Cover and Neoprene Gasket							
ALB1CGKON	½	4.313	1.313	2.438	10	100	30.5
ALB2CGKON	¾	5.063	1.563	2.688	10	50	44.6
ALB3CGKON	1	5.875	1.750	3.000	5	25	56.3
ALB4CGKON	1 ¼	7.813	2.500	3.688	2	10	116.8
ALB5CGKON	1 ½	7.813	2.500	3.688	2	10	110.0
ALB6CGKON	2	10.063	3.125	4.563	1	5	253.9
ALB7CGKON	2 ½	12.813	4.500	5.563	-	1	427.4
ALB8CGKON	3	12.813	4.500	6.188	-	1	491.4

Form 5 Aluminum Conduit Bodies

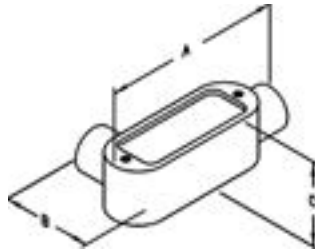
Click brand for more product info ↓

[Allied Tube & Conduit](#)

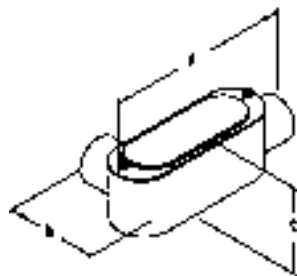
Form 5 Aluminum Conduit Bodies (Type LL)



ALLKON



ALL-CGKON
Cover & Gasket Included



Features:

- Tapered threaded hubs - NPT
- Suitable for use in concrete
- Wet Location

Standard Materials:

- Die cast aluminum
- Covers - Stamped aluminum
- Gasket - Neoprene rubber

Certifications & Compliances:

- UL Standard: 514A
- Fed. Spec. A-A-50563
- NEMA: FB-1
- UL Listed File # E208392

Applications:

- To provide access to conductors for pulling, splicing and maintenance



Part Number	Trade Size	Dim A	Dim B	Dim C	Inner Pack	Master Pack	Weight Per 100 Pieces
	(in)	(in)	(in)	(in)			(lb)
Aluminum Die Cast Threaded LL Conduit Body with Stamped Aluminum Cover and Neoprene Gasket							
ALL2CGKON	3/4	5.063	2.250	1.875	10	50	44.2

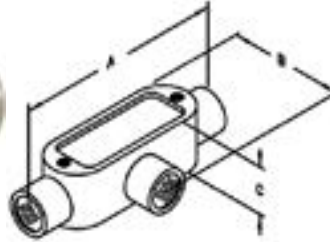
Form 5 Aluminum Conduit Bodies

Form 5 Aluminum Conduit Bodies (Type T)

Click brand for more product info
[Allied Tube & Conduit](#)



ATKON



Features:

- Tapered threaded hubs - NPT
- Suitable for use in concrete
- Wet Location

Standard Materials:

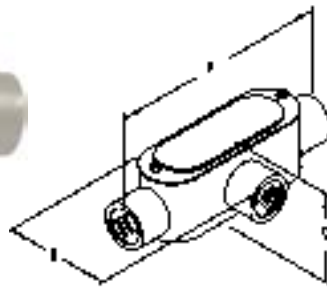
- Die cast aluminum
- Covers - Stamped aluminum
- Gasket - Neoprene rubber

Certifications & Compliances:

- UL Standard: 514A
- Fed. Spec. A-A-50563
- NEMA: FB-1
- UL Listed File # E208392



AT-CGKON
Cover & Gasket Included



Applications:

- To provide access to conductors for pulling, splicing and maintenance



Part Number	Trade Size	Dim A	Dim B	Dim C	Inner Pack	Master Pack	Weight Per 100 Pieces
	(in)	(in)	(in)	(in)			(lb)
Aluminum Die Cast Threaded T Conduit Bodies with Stamped Aluminum Cover and Neoprene Gasket							
AT1CGKON	1/2	4.750	2.063	1.625	10	100	29.4
AT2CGKON	3/4	5.563	2.250	1.875	10	50	44.9



GRC FITTINGS

Allied Tube & Conduit
Calconduit

Table of Contents

↓ [Click below to view product section](#)

[Galvanized Rigid Conduit \(GRC\) Couplings](#)
[Galvanized Rigid Conduit \(GRC\) Nipples](#)

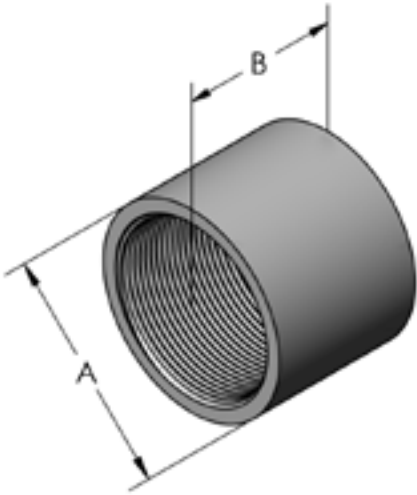


GRC Fittings

Galvanized Rigid Conduit (GRC) Couplings

[Click brand for more product info](#) ↓

[Allied Tube & Conduit](#)
[Calconduit](#)



Certifications & Compliances:

- Listed to Safety Standard UL 6
- Manufactured in accordance with ANSI C80.1



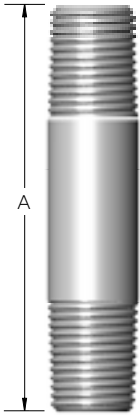
Part Number	Trade Size	Metric Designator	Nominal OD (A) ¹		Length (B) ¹		Threads Per Inch ¹	Approximate Weight Per 100 Pieces		Standard Package
			(in)	(mm)	(in)	(mm)		(lb)	(kg)	
904144	1/2	16	1.01	25.7	1 ⁵ / ₈	41.3	14	12	5.4	100
904145	3/4	21	1.25	31.8	1 ⁴¹ / ₆₄	41.7	14	18	8.2	50
904146	1	27	1.53	38.7	1 ³¹ / ₃₂	50.0	11 ¹ / ₂	30	13.6	30
904147	1 ¹ / ₄	35	1.87	47.5	2 ¹ / ₂	51.6	11 ¹ / ₂	37	16.8	25
904148	1 ¹ / ₂	41	2.16	54.7	2 ¹ / ₁₆	52.4	11 ¹ / ₂	52	23.6	25
904149	2	53	2.65	67.3	2 ¹ / ₈	54.0	11 ¹ / ₂	72	32.7	20
904150	2 ¹ / ₂	63	3.25	82.6	3 ³ / ₁₆	81.0	8	170	77.1	1
904151	3	78	3.87	98.3	3 ⁵ / ₁₆	84.1	8	210	95.3	1
904152	3 ¹ / ₂	91	4.50	114.3	3 ¹³ / ₃₂	86.5	8	340	154.2	1
904153	4	103	4.88	123.8	3 ³³ / ₆₄	89.3	8	300	136.1	1
904154	5	129	6.00	152.4	3 ⁶¹ / ₆₄	100.4	8	475	215.5	1
904155	6	155	7.20	182.9	4 ¹ / ₄	108.0	8	765	347.0	1

¹Minimum requirement as per UL Standard

GRC Fittings

Galvanized Rigid Conduit (GRC) Nipples

Click brand for more product info ↓
[Allied Tube & Conduit](#)
[Calconduit](#)



Certifications & Compliances:

- Listed to Safety Standard UL 6
- Manufactured in accordance with ANSI C80.1



Part Number	Trade Size	Metric Designator	Length (A)		Total Thread Length ¹		Threads Per Inch ¹	Approximate Weight Per 100 Pieces		Standard Package
			(in)	(mm)	(in)	(mm)		(lb)	(kg)	
1/2" GRC Nipples										
876600	1/2	16	(Close) 1 1/8	29	0.78	19.8	14	6	2.7	25
876601	1/2	16	1 1/2	38	0.78	19.8	14	8	3.6	25
876602	1/2	16	2	51	0.78	19.8	14	12	5.4	25
876603	1/2	16	2 1/2	64	0.78	19.8	14	15	6.8	25
876604	1/2	16	3	76	0.78	19.8	14	19	8.6	25
876606	1/2	16	4	102	0.78	19.8	14	26	11.8	25
876608	1/2	16	5	127	0.78	19.8	14	33	15.0	25
876610	1/2	16	6	152	0.78	19.8	14	40	18.1	25
876612	1/2	16	8	203	0.78	19.8	14	54	24.5	25
876614	1/2	16	10	254	0.78	19.8	14	68	30.8	25
876616	1/2	16	12	305	0.78	19.8	14	82	37.2	25
3/4" GRC Nipples										
876617	3/4	21	(Close) 1 3/8	35	0.79	20.1	14	9	4.1	25
876618	3/4	21	1 1/2	38	0.79	20.1	14	10	4.5	25
876619	3/4	21	2	51	0.79	20.1	14	14	6.4	25
876620	3/4	21	2 1/2	64	0.79	20.1	14	19	8.6	25
876621	3/4	21	3	76	0.79	20.1	14	24	10.9	25
876622	3/4	21	3 1/2	89	0.79	20.1	14	28	12.7	25
876623	3/4	21	4	102	0.79	20.1	14	34	15.4	25
876625	3/4	21	5	127	0.79	20.1	14	43	19.5	25
876626	3/4	21	5 1/2	140	0.79	20.1	14	48	21.6	25
876627	3/4	21	6	152	0.79	20.1	14	52	23.6	25
876629	3/4	21	8	203	0.79	20.1	14	73	33.1	25
876631	3/4	21	10	254	0.79	20.1	14	89	40.4	25
876633	3/4	21	12	305	0.79	20.1	14	109	49.4	25

¹Minimum requirement as per UL Standard

Table continued on next page

GRC Fittings

Galvanized Rigid Conduit (GRC) Nipples

Click brand for more product info ↓

Allied Tube & Conduit
Calconduit

Part Number	Trade Size	Metric Designator	Length (A)		Total Thread Length ¹		Threads Per Inch ¹	Approximate Weight Per 100 Pieces		Standard Package
			(in)	(mm)	(in)	(mm)		(lb)	(kg)	
1" GRC Nipples										
876634	1	27	(Close) 1½	38	0.98	24.9	11½	16	7.3	25
876635	1	27	2	51	0.98	24.9	11½	22	10.0	25
876636	1	27	2½	64	0.98	24.9	11½	28	12.7	25
876637	1	27	3	76	0.98	24.9	11½	36	16.3	25
876639	1	27	4	102	0.98	24.9	11½	49	22.2	25
876641	1	27	5	127	0.98	24.9	11½	64	29.0	25
876643	1	27	6	152	0.98	24.9	11½	78	35.4	25
876645	1	27	8	203	0.98	24.9	11½	109	49.4	25
876647	1	27	10	254	0.98	24.9	11½	138	62.6	25
876649	1	27	12	305	0.98	24.9	11½	166	75.3	25
1¼" GRC Nipples										
876650	1¼	35	(Close) 1⅝	41	1.01	25.7	11½	22	10.0	25
876651	1¼	35	2	51	1.01	25.7	11½	28	12.7	25
876653	1¼	35	3	76	1.01	25.7	11½	47	21.3	25
876655	1¼	35	4	102	1.01	25.7	11½	66	29.9	25
876657	1¼	35	5	127	1.01	25.7	11½	84	38.1	25
876659	1¼	35	6	152	1.01	25.7	11½	100	45.4	25
876661	1¼	35	8	203	1.01	25.7	11½	136	61.7	25
876665	1¼	35	12	305	1.01	25.7	11½	216	98.0	30
1½" GRC Nipples										
876666	1½	41	(Close) 1¾	44	1.03	26.2	11½	28	12.7	25
876667	1½	41	2	51	1.03	26.2	11½	34	15.4	25
876669	1½	41	3	76	1.03	26.2	11½	56	25.4	25
876671	1½	41	4	102	1.03	26.2	11½	80	36.3	25
876673	1½	41	5	127	1.03	26.2	11½	103	46.7	25
876675	1½	41	6	152	1.03	26.2	11½	122	55.3	50
876677	1½	41	8	203	1.03	26.2	11½	170	77.1	40
876681	1½	41	12	305	1.03	26.2	11½	260	117.9	20
2" GRC Nipples										
876682	2	53	(Close) 2	51	1.06	26.9	11½	44	20.0	25
876683	2	53	2½	64	1.06	26.9	11½	59	26.8	25
876684	2	53	3	76	1.06	26.9	11½	72	32.7	25
876686	2	53	4	102	1.06	26.9	11½	103	46.7	40
876688	2	53	5	127	1.06	26.9	11½	132	59.9	40
876690	2	53	6	152	1.06	26.9	11½	160	72.6	30
876691	2	53	7	178	1.06	26.9	11½	190	86.2	25
876692	2	53	8	203	1.06	26.9	11½	220	99.8	20
908942	2	53	8½	216	1.06	26.9	11½	236	107.2	20
876694	2	53	10	254	1.06	26.9	11½	285	129.3	20
876696	2	53	12	305	1.06	26.9	11½	335	152.0	15

¹Minimum requirement as per UL Standard

GRC Fittings

Galvanized Rigid Conduit (GRC) Nipples

Click brand for more product info ↓

[Allied Tube & Conduit](#)
[Calconduit](#)

Part Number	Trade Size	Metric Designator	Length (A)		Total Thread Length ¹		Threads Per Inch ¹	Approximate Weight Per 100 Pieces		Standard Package
			(in)	(mm)	(in)	(mm)		(lb)	(kg)	
2½" GRC Nipples										
876697	2½	63	(Close) 2¾	70	1.57	39.9	8	84	38.1	1
876698	2½	63	3	76	1.57	39.9	8	100	45.4	1
876700	2½	63	4	102	1.57	39.9	8	150	68.0	1
876704	2½	63	6	152	1.57	39.9	8	240	108.9	1
876706	2½	63	8	203	1.57	39.9	8	329	149.2	1
876710	2½	63	12	305	1.57	39.9	8	505	229.1	1
3" GRC Nipples										
876711	3	78	(Close) 2⅝	67	1.63	41.4	8	118	53.5	1
876714	3	78	4	102	1.63	41.4	8	200	90.7	1
876716	3	78	5	127	1.63	41.4	8	260	117.9	1
876718	3	78	6	152	1.63	41.4	8	300	136.1	1
876720	3	78	8	203	1.63	41.4	8	411	186.4	1
876722	3	78	10	254	1.63	41.4	8	528	239.5	1
876724	3	78	12	305	1.63	41.4	8	630	285.8	1
3½" GRC Nipples										
876725	3½	91	(Close) 2¾	70	1.67	42.7	8	160	72.6	20
876730	3½	91	6	152	1.67	42.7	8	373	169.2	8
876736	3½	91	12	305	1.67	42.7	8	785	356.0	4
4" GRC Nipples										
876737	4	103	(Close) 2⅞	73	1.73	43.9	8	180	81.6	1
876738	4	103	4	102	1.73	43.9	8	285	129.3	1
876742	4	103	6	152	1.73	43.9	8	440	199.6	1
876744	4	103	8	203	1.73	43.9	8	600	272.2	1
876746	4	103	10	254	1.73	43.9	8	775	351.5	1
876748	4	103	12	305	1.73	43.9	8	925	419.6	1

¹Minimum requirement as per UL Standard



LIQUIDTIGHT FITTINGS

Allied Tube & Conduit

Table of Contents

↓ [Click below to view product section](#)

- New Assembly Installation, Connector with Screw-On Ferrule over Liquidtight Conduit
- 45 Degree, Liquidtight Fitting with Aluminum Grounding Lug
- 90 Degree, Nonmetallic, Liquidtight Fitting
- Screw-On, 45 Degree, Liquidtight Fitting
- Screw-On, 90 Degree, Liquidtight Fitting
- Screw-On, Straight, Liquidtight Fitting
- Straight, Nonmetallic, Liquidtight Fitting
- Straight, Liquidtight Fitting with Aluminum Grounding Lug



Liquidtight Fittings

New Assembly Installation, Connector with Screw-On Ferrule over Liquidtight Conduit

NEW Easy Assembly Installation Screw-On Type Liquidtight - No disassembly required

A. Slide conduit inside the fully assembled connector.



B. Turn the connector assembly or the conduit until the ferrule threads engage the spirals in the conduit. The tabs in the ferrule are locked inside the holes in the connector body, preventing the ferrule from turning. Tighten the nut against the connector.



PATENTED

*With the New
Easy Assembly Installation Liquidtight
Time and Money Can Be Saved!*

Old Style Assembly Installation

A. Slide nut over conduit



B. Slide compression ring over conduit



C. Thread ferrule inside the conduit.



D. Slide the conduit assembly inside the ferrule.



E. Slide compression nut and ring towards the connector.



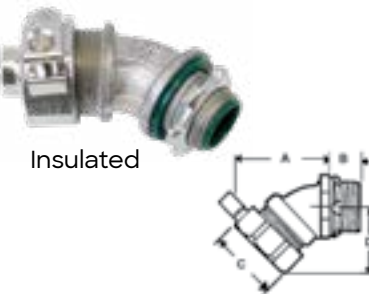
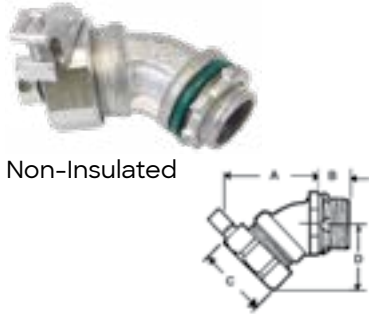
F. Tighten the nut.



Liquidtight Fittings

45 Degree, Liquidtight Fitting with Aluminum Grounding Lug

Click brand for more product info
[Allied Tube & Conduit](#)



Features:

- Tapered threaded male hub - NPT
- Compact, slim diameter
- Steel locknut
- Liquidtight / Raintight / Oiltight / Concrete tight
- Suitable for wet locations
- Long ferrule prevents pullout and tight bend conduit pop-out
- RoHS compliant
- Use with Liquidtight Flexible Metal Conduit

Standard Materials:

- Lug - Aluminum
- Malleable Iron
- Nylon
- Steel ferrule
- Steel locknut

Standard Finish:

- Zinc plated

Certifications & Compliances:

- UL Standard: 514B
- UL Standard: 467
- Fed. Spec. A-A-50553
- NEMA: FB-1
- Suitable for grounding in sizes 3/8" through 1 1/4" under NEC 350.60 and 250.118(6)
- Suitable for use in the following hazardous locations under NEC, Class I, Division 2; Class II, Division 1 and 2; and Class III, Division 1 and 2
- UL Listed File # E212551



Part Number	Trade Size (in)	Lug Size	Dim A (in)	Dim B (in)	Dim C (in)	Dim D (in)	Master Pack	Weight Per C (lb)
45° Non-Insulated								
LT40045ALKON	4	3/0-6	11.75	1.25	6.06	6.88	1	1538.8

Liquidtight Fittings

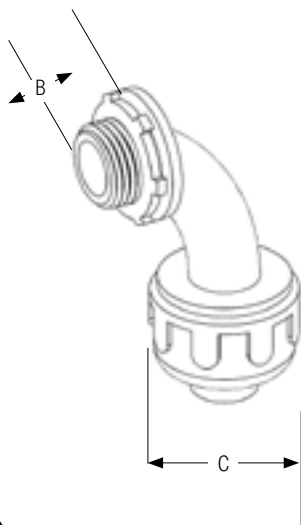
90 Degree, Nonmetallic, Liquidtight Fitting

[Click brand for more product info](#)

[Allied Tube & Conduit](#)



Multi-Piece 90 Degree Connector



Features:

- Constructed from UV rated for long life
- No spin ferrule allows easy one piece assembly to conduit
- Internal gland provides positive seal when nut is tightened
- Polypropylene sealing ring assures tight seal between fitting and box

Certifications & Compliances:

- Contact manufacturer for further UL Listing information
- Suitable for use in the following hazardous locations under NEC, Class I, Division 2; Class II, Division 1 and 2; and Class III, Division 1 and 2

Applications:

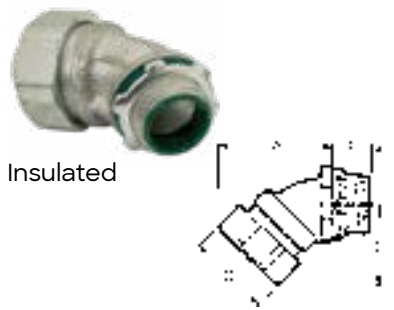
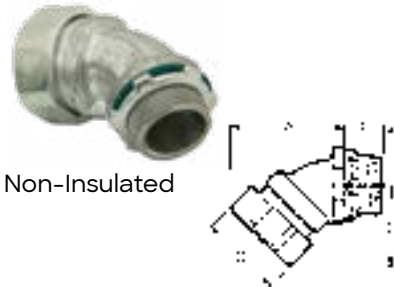
- For use with Type B, nonmetallic conduit

Part Number	Trade Size	Dim A	Dim B	Dim C	Inner Pack	Master Pack	Weight Per C
	(in)	(in)	(in)	(in)			(lb)
NMLT-9050KON	½	2.242	0.562	2.375	10	50	8
NMLT-9075KON	¾	2.550	0.545	2.843	10	50	12
NMLT-90100KON	1	3.150	0.630	3.688	5	25	21
NMLT-90125KON	1¼	3.420	0.645	4.656	5	25	40
NMLT-90150KON	1½	4.510	0.660	4.469	2	10	51
NMLT-90200KON	2	4.850	0.670	5.281	2	10	77

Liquidtight Fittings

Screw-On, 45 Degree, Liquidtight Fitting

Click brand for more product info ↓
[Allied Tube & Conduit](#)



Features:

- No disassembly required for installation of LTQ
- Tapered threaded male hub - NPT
- Compact, slim diameter
- Liquidtight/Raintight/Oiltight
- Suitable for wet locations
- Long ferrule prevents pullout and tight bend conduit pop-out
- RoHS compliant
- Use with Liquidtight Flexible Metal Conduit

Standard Materials:

- Malleable Iron
- Nylon
- Steel ferrule
- Steel locknut

Standard Finish:

- Zinc plated

Certifications & Compliances:

- UL Standard: 514B
- Fed. Spec. A-A-50553
- NEMA: FB-1
- UL Listed File # E207875
- Suitable for use in the following hazardous locations under NEC, Class I, Division 2; Class II, Division 1 and 2; and Class III, Division 1 and 2

U.S. Patent No. 7.914.048
(Only Applicable 3/8" - 2")



Part Number	Trade Size	Dim A	Dim B	Dim C	Dim D	Inner Pack	Master Pack	Weight Per C
	(in)	(in)	(in)	(in)	(in)			(lb)
45° Non-Insulated								
LQ5045KON	1/2	2.00	0.50	1.25	1.50	-	25	27.1
LQ7545KON	3/4	2.19	0.50	1.56	1.56	-	10	39.7

* Note: Standard Liquidtight Fitting

Liquidtight Fittings

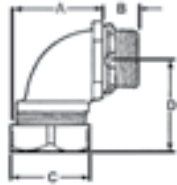
Screw-On, 90 Degree, Liquidtight Fitting

[Click brand for more product info](#)

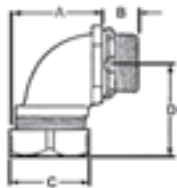
[Allied Tube & Conduit](#)



Non-Insulated



Insulated



Features:

- No disassembly required for installation of Screw-On Liquidtight
- Tapered threaded male hub - NPT
- Compact, slim diameter
- Liquidtight/Raintight/Oiltight
- Suitable for wet locations
- Long ferrule prevents pullout and tight bend conduit pop-out
- RoHS compliant
- Use with Liquidtight Flexible Metal Conduit

Standard Materials:

- Malleable Iron
- Nylon
- Steel ferrule
- Steel locknut

Standard Finish:

- Zinc plated

Certifications & Compliances:

- UL Standard: 514B
- Fed. Spec. A-A-50553
- NEMA: FB-1
- UL Listed File # E207875
- Suitable for use in the following hazardous locations under NEC, Class I, Division 2; Class II, Division 1 and 2; and Class III, Division 1 and 2

U.S. Patent No. 7.914.048
(Only Applicable 3/8" - 2")

Liquidtight Fittings

Screw-On, 90 Degree, Liquidtight Fitting

Click brand for more product info ↓
[Allied Tube & Conduit](#)



Part Number	Trade Size (in)	Dim A (in)	Dim B (in)	Dim C (in)	Dim D (in)	Inner Pack	Master Pack	Weight Per C (lb)
90° Non-Insulated								
LTQ5090KON	½	1.44	0.50	1.25	1.63	-	25	28.9
LTQ7590KON	¾	1.63	0.50	1.56	1.75	-	10	44.1
LTQ10090KON	1	2.31	0.63	1.81	2.13	-	10	74.5
LTQ12590KON	1¼	2.88	0.69	2.25	2.19	4	40	96.1
LTQ15090KON	1½	2.69	0.75	2.44	2.50	3	30	121.6
LTQ20090KON	2	3.19	0.75	3.00	2.88	2	20	176.4
LT25090KON*	2½	8.31	1.06	4.06	7.88	-	1	837.7
LT30090KON*	3	9.50	1.13	4.88	9.50	-	1	1234.6
LT40090KON*	4	13.81	1.19	6.06	12.94	-	1	2381
90° Insulated								
LTQ5090-ICKON	½	1.44	0.56	1.25	1.63	-	25	29.2
LTQ7590-ICKON	¾	1.63	0.56	1.56	1.75	-	10	44.6
LTQ10090-ICKON	1	2.31	0.69	1.81	2.13	-	10	75.3
LTQ12590-ICKON	1¼	2.88	0.75	2.25	2.19	4	40	97.1
LTQ15090-ICKON	1½	2.69	0.81	2.44	2.50	3	30	122.5
LTQ20090-ICKON	2	3.19	0.81	3.00	2.88	2	20	178.2

* Note: Standard Liquidtight Fitting

Liquidtight Fittings

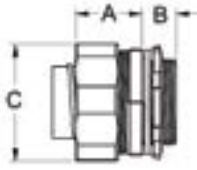
Screw-On, Straight, Liquidtight Fitting

[Click brand for more product info](#)

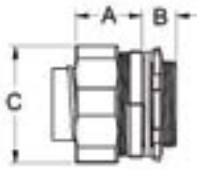
[Allied Tube & Conduit](#)



Non-Insulated



Insulated



Features:

- No disassembly required for installation of LTQ (sizes 3/8" - 2")
- Tapered threaded male hub - NPT
- Compact, slim diameter
- Liquidtight/Raintight/Oiltight
- Suitable for wet locations
- Long ferrule prevents pullout and tight bend conduit pop-out
- RoHS compliant
- Use with Liquidtight Flexible Metal Conduit

Standard Materials:

- Malleable Iron
- Nylon
- Steel ferrule
- Steel locknut

Standard Finish:

- Zinc plated

Certifications & Compliances:

- UL Standard: 514B
- Fed. Spec. A-A-50553
- NEMA: FB-1
- UL Listed File # E207875
- Suitable for use in the following hazardous locations under NEC, Class I, Division 2; Class II, Division 1 and 2; and Class III, Division 1 and 2

U.S. Patent No. 7.914.048

Liquidtight Fittings

Screw-On, Straight, Liquidtight Fitting

Click brand for more product info ↓
[Allied Tube & Conduit](#)



Part Number	Trade Size (in)	Dim A (in)	Dim B (in)	Dim C (in)	Master Pack	Weight Per C (lb)
Non-Insulated						
LTQ50KON	½	1.25	0.50	1.25	25	17.6
LTQ75KON	¾	1.25	0.50	1.56	25	28.7
LTQ100KON	1	1.44	0.63	1.81	5	39.7
LTQ125KON	1 ¼	1.50	0.69	2.25	5	55.1
LTQ150KON	1 ½	1.63	0.75	2.44	2	70.5
LTQ200KON	2	1.75	0.75	3.00	1	99.2
LT250KON*	2 ½	2.19	1.06	4.06	5	363.8
LT300KON*	3	2.50	1.13	4.88	5	456.4
LT350KON*	3 ½	2.69	1.19	5.44	5	668
LT400KON*	4	3.00	1.25	6.06	5	789.2
Insulated						
LTQ50-ICKON	½	1.25	0.56	1.25	25	17.8
LTQ75-ICKON	¾	1.25	0.56	1.56	25	28.9
LTQ100-ICKON	1	1.44	0.69	1.81	5	40.1
LTQ125-ICKON	1 ¼	1.50	0.75	2.25	5	55.7
LTQ150-ICKON	1 ½	1.63	0.81	2.44	2	71.2
LTQ200-ICKON	2	1.75	0.81	3.00	1	100.2
LT400-ICKON*	4	3.00	1.38	6.06	5	797.1

Liquidtight Fittings

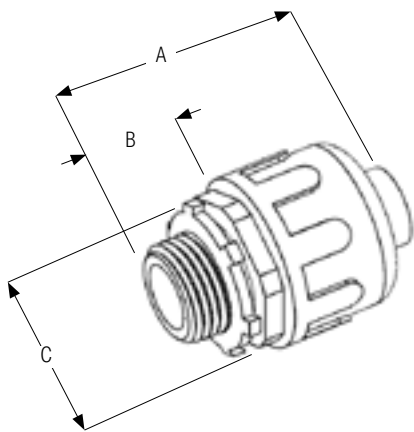
Straight, Nonmetallic, Liquidtight Fitting

[Click brand for more product info](#)

[Allied Tube & Conduit](#)



Straight Multi-Piece Connector



Features:

- Constructed from UV rated for long life
- No spin ferrule allows easy one piece assembly to conduit
- Internal gland provides positive seal when nut is tightened
- Polypropylene sealing ring assures tight seal between fitting and box

Certifications & Compliances:

- Contact manufacturer for further UL Listing information
- Suitable for use in the following hazardous locations under NEC, Class I, Division 2; Class II, Division 1 and 2; and Class III, Division 1 and 2

Applications:

- For use with Type B, nonmetallic conduit



Part Number	Trade Size	Dim A	Dim B	Dim C	Inner Pack	Master Pack	Weight Per C
	(in)	(in)	(in)	(in)			(lb)
NMLT-50KON	1/2	1.545	0.535	1.406	25	100	6
NMLT-75KON	3/4	1.593	0.550	1.593	10	50	9
NMLT-100KON	1	1.975	0.670	1.906	5	25	14
NMLT-125KON	1 1/4	2.293	0.645	2.438	5	25	27
NMLT-150KON	1 1/2	2.175	0.660	2.688	2	10	32
NMLT-200KON	2	2.438	0.670	3.375	2	10	44

Liquidtight Fittings

Straight, Liquidtight Fitting with Aluminum Grounding Lug

Click brand for more product info ↓
[Allied Tube & Conduit](#)



Non-Insulated

Features:

- Tapered threaded male hub - NPT
- Compact, slim diameter
- Steel locknut
- Liquidtight / Raintight / Oiltight / Concrete tight
- Suitable for wet locations
- Long ferrule prevents pullout and tight bend conduit pop-out
- RoHS compliant
- Use with Liquidtight Flexible Metal Conduit



Insulated

Standard Materials:

- Lug - Aluminum
- Malleable Iron
- Nylon
- Steel ferrule
- Steel locknut

Standard Finish:

- Zinc plated

Certifications & Compliances:

- UL Standard: 514B
- UL Standard: 467
- Fed. Spec. A-A-50553
- NEMA: FB-1
- UL Listed File # E212551
- Suitable for grounding in sizes 3/8" through 1 1/4" under NEC 350.60 and 250.118(6)
- Suitable for use in the following hazardous locations under NEC, Class I, Division 2; Class II, Division 1 and 2; and Class III, Division 1 and 2



Part Number	Trade Size (in)	Lug Size	Dim A (in)	Dim B (in)	Dim C (in)	Dim D (in)	Master Pack	Weight Per C (lb)
Non-Insulated								
LT400ALKON	4	3/0-6	3.00	1.25	6.06	1.50	1	789.2



MISCELLANEOUS FITTINGS

Allied Tube & Conduit

Table of Contents

↓ [Click below to view product section](#)

[Carbon Steel Conduit Hangers](#)



Miscellaneous Fittings

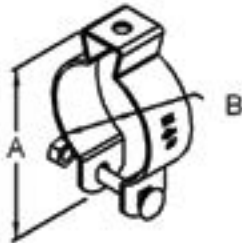
Click brand for more product info ↓

[Allied Tube & Conduit](#)

Carbon Steel Conduit Hangers



Carbon Steel



Features:

- HCS/HSS Furnished With Nut and Bolt
- Used on RMC, IMC, EMT, Rigid PVC Conduits

Standard Materials:

- Carbon steel

Standard Finish:

- Zinc plated (HCS)

Certifications & Compliances:

- UL Standard: 2239
- UL Listed File # E213669



Part Number	Trade Size (in)	Dim A (in)	Dim B (in)	Load Rating (lb)	Inner Pack	Master Pack	Bolt Size	Weight Per C (lb)
HCS1KON	¾	2.188	1.000	50	-	100	1/4-20	8.8



PVC FITTINGS

Allied Tube & Conduit
Heritage Plastics
Queen City Plastics

Table of Contents

↓ [Click below to view product section](#)

- Introduction
- Access Fittings
- Adapters
 - Female
 - Terminal
- Cement/Primer
- Couplings
 - 5° Couplings
 - Expansion Couplings, One Piece
 - Expansion Couplings, Two Piece
 - Long Line Couplings
 - Repair Sleeve Couplings
 - Swedge Couplings

Table Of Contents continued on next page



Table of Contents (continued)

↓ [Click below to view product section](#)

- Covers
- Duct Spacers
- End Bells
- End Caps
- F-Series Boxes
- Junction Box Adapters
- Junction Boxes
- Meter Offsets
- Plugs
 - Tapered Plugs
- Reducer Bushings
- Service Entrance Heads
- Slip Meter Risers
- Swedge Reducers
- Two-Hole Pipe Straps

PVC Fittings

We offer a complete line of rigid PVC conduit, utility duct, and fittings which have proven durable and effective for years of maintenance free performance in underground, encased and exposed applications.

What are typical applications?

- Residential, Commercial and Industrial
- Transportation and Highway
- Airports and Marinas
- Cable, Data and Communication Lines
- Utilities

What are advantages of PVC?

- Corrosion Resistant
- Long Life
- Impact Resistant
- Labor Savings
- Lightweight
- Non Magnetic
- Self Extinguishing
- Non Galvanic

Are Schedule 80 and 40 electrical conduit and fabricated fittings suited for direct sunlight?

Schedule 40 and 80 conduit and fabricated fittings are “Sunlight Resistant” in accordance with UL 651. Refer to the Atkore Sunlight Exposure Technical Bulletin on the website for additional information.

Part Number Guide

Fittings

4" Coupling

CP40

Product

Trade Size



PVC Fittings

Access Fittings

Click brand for more product info ↓

[Allied Tube & Conduit](#)
[Heritage Plastics](#)
[Queen City Plastics](#)



Type LB



Type T



Type LR



Type LL



Type E



Type C



Trade Size	Part Number					Package Quantity	
	LB	T	LR	LL	C		T Only
½	LB05	T05	—	—	C05	25	25
¾	LB07	T07	—	—	C07	15	15
1	LB10	T10	—	—	C10	10	10
1¼	LB12	T12	—	—	—	10	10
1½	LB15	T15	—	—	—	10	10
2	LB20	T20	—	LL20	—	5	5
2½	LB25	—	—	—	—	5	2
3	LB30	—	—	—	—	5	2
4	LB40	—	—	—	—	5	2

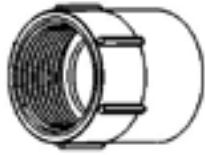
Product availability may vary by region

PVC Fittings

Adapters

Click brand for more product info ↓

[Allied Tube & Conduit](#)
[Heritage Plastics](#)
[Queen City Plastics](#)



Female Adapters



Terminal Adapters



Part Number	Trade Size	Package Quantity
Female Adapters		
FA05	½	200
FA07	¾	125
FA10	1	70
FA12	1¼	40
FA15	1½	30
FA20	2	40
FA25	2½	20
FA30	3	40
FA35	3½	30
FA40	4	20
FA50	5	10
FA60	6	8
FA80	8	2
Terminal Adapters		
TA05	½	200
TA07	¾	125
TA10	1	70
TA12	1¼	40
TA15	1½	30
TA20	2	40
TA25	2½	20
TA30	3	40
TA35	3½	30
TA40	4	20
TA50	5	10
TA60	6	8
TA80	8	2

*8 inch products are not included in UL 651

PVC Fittings

Cement, Primer

Click brand for more product info ↓

[Allied Tube & Conduit](#)
[Heritage Plastics](#)
[Queen City Plastics](#)

Part Number	Type	Size	Package Quantity
Cement			
CEMCR20	Regular Body - Clear	Quart	12
CEMC20	Medium Body - Clear	Quart	12
CEMG20	Medium Body - Gray	Quart	12
CWC20	All Weather - Clear	Quart	12
Cleaner			
CLN20	Clear	Quart	12
Primer			
PRMC20	Clear	Quart	12
PRMP20	Purple	Quart	12

Product availability may vary by region

PVC Fittings

Click brand for more product info ↓

[Allied Tube & Conduit](#)
[Heritage Plastics](#)
[Queen City Plastics](#)

Couplings



Part Number	Trade Size	Package Quantity
CP05	1/2	200
CP07	3/4	125
CP10	1	70
CP12	1 1/4	40
CP15	1 1/2	30
CP20	2	40
CP25	2 1/2	20
CP30	3	40
CP35	3 1/2	30
CP40	4	20
CP50	5	10
CP60	6	8
CP80	8*	1

*8 inch products are not included in UL 651 or NEMA TC 3

5° Couplings

Click brand for more product info ↓

[Allied Tube & Conduit](#)
[Heritage Plastics](#)
[Queen City Plastics](#)



Bell x Bell

Bell x Spigot

Part Number		Trade Size	Package Quantity
Bell x Bell	Bell x Spigot		
Schedule 40			
—	405EC40BS	4	30

Product availability may vary by region

PVC Fittings

Expansion Couplings, One Piece

Click brand for more product info ↓

[Allied Tube & Conduit](#)
[Heritage Plastics](#)
[Queen City Plastics](#)



Part Number	Trade Size	Package Quantity
EJ-120	2	10

Product availability may vary by region

Expansion Couplings, Two Piece

Click brand for more product info ↓

[Allied Tube & Conduit](#)
[Heritage Plastics](#)
[Queen City Plastics](#)



Part Number	Trade Size	Package Quantity
EJ07	3/4	25
EJ10	1	40
EJ12	1 1/4	20
EJ15	1 1/2	20
EJ20	2	10
EJ25	2 1/2	9
EJ30	3	9
EJ40	4	5
EJ50	5	1
EJ60	6	1

Product availability may vary by region

PVC Fittings

Long Line Couplings

Click brand for more product info ↓

[Allied Tube & Conduit](#)
[Heritage Plastics](#)
[Queen City Plastics](#)



Part Number	Trade Size	Package Quantity
LLC20	2	20
LLC25	2½	25
LLC30	3	25
LLC40	4	15
LLC60	6	4

*Some diameters may be fabricated causing product appearance to vary.

Repair Sleeve Couplings

Click brand for more product info ↓

[Allied Tube & Conduit](#)
[Heritage Plastics](#)
[Queen City Plastics](#)



Part Number	Trade Size	Package Quantity
40REC20	2	50
40REC30	3	30
40REC40	4	30
40REC50	5	15
40REC60	6	10

Product availability may vary by region

PVC Fittings

Swedge Couplings

[Click brand for more product info](#) ↓

- [Allied Tube & Conduit](#)
- [Heritage Plastics](#)
- [Queen City Plastics](#)



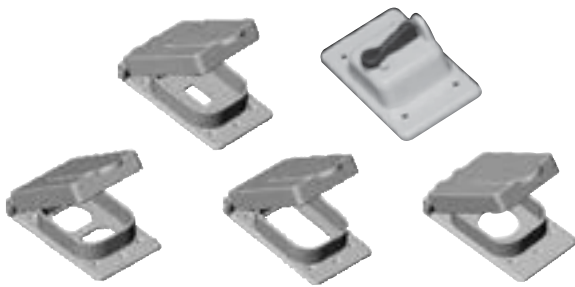
Part Number	Trade Size	Package Quantity
Schedule 40		
40SWC12	1¼	50
40SWC20	2	50
40SWC30	3	30
40SWC40	4	30
40SWC60	6	10
40SWC80	8	6

Product availability may vary by region

Covers

[Click brand for more product info](#) ↓

- [Allied Tube & Conduit](#)
- [Heritage Plastics](#)
- [Queen City Plastics](#)



Single Gang Weatherproof Covers

Part Number	Description	Type	Package Quantity
Weatherproof Covers			
WTG 15/10	Toggle Switch	Single Gang	20
VSC 15/10	Toggle Switch with Lock	Single Gang	20

Product availability may vary by region

*Not listed to UL651

PVC Fittings

Duct Spacers

Click brand for more product info ↓

[Allied Tube & Conduit](#)
[Heritage Plastics](#)
[Queen City Plastics](#)



Trade Size	Part Number	Package Quantity	Part Number	Package Quantity
2 x 2	—	—	BV2020	225
2 x 3	IV2030	200	BV2030	225
3 x 2	IV3020	200	BV3020	155
3 x 3	—	—	BV3030	150
4 x 2	IV4020	125	BV4020	140
4 x 3	IV4030	90	BV4030	120
5 x 2	—	—	BV5020	120
5 x 3	IV5030	80	BV5030	100
6 x 3	IV6030	70	BV6030	95

Product appearance may vary by region

PVC Fittings

End Bells

Click brand for more product info ↓

[Allied Tube & Conduit](#)
[Heritage Plastics](#)
[Queen City Plastics](#)



Part Number	Trade Size	Package Quantity
MEB05	1/2	100
MEB07	3/4	100
MEB10	1	50
MEB12	1 1/4	50
MEB15	1 1/2	50
MEB20	2	40
MEB25	2 1/2	30
MEB30	3	50
MEB35	3 1/2	50
MEB40	4	50
MEB50	5	25
MEB60	6	15
MEB80	8	1

Product availability may vary by region

PVC Fittings

Click brand for more product info ↓

End Caps

[Allied Tube & Conduit](#)
[Heritage Plastics](#)
[Queen City Plastics](#)



Part Number	Trade Size	Package Quantity
EC05	½	200
EC07	¾	150
EC10	1	100
EC12	1¼	40
EC15	1½	40
EC20	2	20
EC25	2½	15
EC30	3	10
EC35	3½	25
EC40	4	12
EC50	5	5
EC60	6	10
EC80	8	1

Product availability may vary by region

PVC Fittings

F-Series Boxes

Click brand for more product info ↓

[Allied Tube & Conduit](#)
[Heritage Plastics](#)
[Queen City Plastics](#)



FSE



FSC



Part Number	Trade Size	Type	Package Quantity
FSE			
FSE07	¾	Single Gang	10
FSE10	1*	Single Gang	10
FSC			
FSC07	¾	Single Gang	10

Product availability may vary by region

* Not listed to UL651

Junction Box Adapters

Click brand for more product info ↓

[Allied Tube & Conduit](#)
[Heritage Plastics](#)
[Queen City Plastics](#)



Part Number	Trade Size	Package Quantity
JBA05	½	100
JBA07	¾	100
JBA10	1	100
JBA12	1¼	50
JBA15	1½	50
JBA20	2	25
JBA25	2½	10
JBA30	3	10
JBA40	4	10

Product availability may vary by region

PVC Fittings

Click brand for more product info ↓

Junction Boxes

[Allied Tube & Conduit](#)
[Heritage Plastics](#)
[Queen City Plastics](#)



Trade Size	Part Number	Package Quantity
Brass Screw Inserts		
4x4x2	JB442	15
4x4x4	JB444	10
4x4x6	JB446	8
5x5x2	JB552	12
6x6x4	JB664	15
6x6x6	JB666	4
8x8x4	JB884	4
8x8x7	JB887	4
12x12x4	JB12124	2
12x12x6	JB12126	4
12x12x8	JB12128	3

Self Tapping not listed to UL
 Product appearance may vary by region
 Product availability may vary by region

Click brand for more product info ↓

Meter Offsets

[Allied Tube & Conduit](#)
[Heritage Plastics](#)
[Queen City Plastics](#)



Part Number	Trade Size	Package Quantity
M020	2	25

Product availability may vary by region

PVC Fittings

Plugs

Click brand for more product info ↓

[Allied Tube & Conduit](#)
[Heritage Plastics](#)
[Queen City Plastics](#)



Tapered Plug

Part Number	Trade Size	Package Quantity
UTP20	2	100
UTP30	3	80
UTP40	4	50
UTP50	5	40
UTP60	6	30

Product availability may vary by region

Reducer Bushings

Click brand for more product info ↓

[Allied Tube & Conduit](#)
[Heritage Plastics](#)
[Queen City Plastics](#)



Part Number	Trade Size	Package Quantity
MR0705	3/4 x 1/2	100
MR1510	1 1/2 x 1	50
MR1512	1 1/2 x 1 1/4	50
MR2015	2 x 1 1/2	25
MR3020	3 x 2	25
MR4030	4 x 3	10

Product availability may vary by region

PVC Fittings

Service Entrance Heads

[Click brand for more product info](#) ↓

- [Allied Tube & Conduit](#)
- [Heritage Plastics](#)
- [Queen City Plastics](#)



Part Number	Trade Size	Package Quantity
MH20	2	5
MH25	2½	2
MH30	3	2
MH40	4	2

Product availability may vary by region

Slip Meter Risers

[Click brand for more product info](#) ↓

- [Allied Tube & Conduit](#)
- [Heritage Plastics](#)
- [Queen City Plastics](#)



Part Number	Trade Size	Package Quantity
Schedule 40		
MTR40200	2	10
MTR40250	2½	8
MTR40300	3	5
MTR40400	4	3

Product availability may vary by region

PVC Fittings

[Click brand for more product info](#) ↓

Swedge Reducers

[Allied Tube & Conduit](#)
[Heritage Plastics](#)
[Queen City Plastics](#)



Swedge Reducer Spigot x Spigot

Part Number	Trade Size	Package Quantity
Schedule 40		
40SW3020SS	3 x 2	80
40SW3025*	3 x 2½	80

Product availability may vary by region
 *Bell by Spigot

Two-Hole Pipe Straps

[Click brand for more product info](#) ↓

[Allied Tube & Conduit](#)
[Heritage Plastics](#)
[Queen City Plastics](#)



Part Number	Trade Size	Package Quantity
PS05	½	400
PS07	¾	200
PS10	1	200
PS12	1¼	200
PS15	1½	200
PS20	2	200

Product availability may vary by region



PVC COATED FITTINGS

Allied Tube & Conduit
Calbond

Table of Contents

↓ [Click below to view product section](#)

- PVC Coated Conduit Bodies
 - Conduit Bodies - Form 7
 - Conduit Bodies - Form 8
- PVC Coated Conduit Hubs
 - ST Conduit Hubs
 - ST Aluminum Conduit Hubs
 - STG Conduit Hubs
- PVC Coated Couplings
 - Rigid Couplings
 - Aluminum Rigid Couplings

Table of Contents continued on next page



Table of Contents (continued)

↓ [Click below to view product section](#)

- PVC Coated Device Boxes
 - FD Device Boxes
 - FDC Device Boxes
 - FS Device Boxes
- PVC Coated Liquidtight Connectors
 - Straight Liquidtight Connectors
 - 45 Degree Liquidtight Connectors
 - 90 Degree Liquidtight Connectors
- PVC Coated Nipples
- PVC Coated Sealing Fittings
 - EYS Female Hubs
 - EYS Male - Female Hubs
 - Aluminum EYS Male - Female Hubs
- PVC Coated Strut & Strut Straps
 - PVC Coated Strut
 - PVC Coated Strut Straps
- PVC Coated Strut Accessories
 - Mini Hangers
 - Pipe Straps & Clamp Back Spacers
- PVC Coated Tools & Accessories
 - Touch Up Compound
- PVC Coated Unions
 - UNY Unions

PVC Coated Conduit Bodies

[Click brand for more product info](#) ↓

[Allied Tube & Conduit Calbond](#)

Conduit Bodies - Form 7

Features:

- Exterior PVC coating thickness is a minimum 0.040"
- Interior urethane coating thickness is a minimum 0.002"
- Specialized corrosion resistant coating provided on threads
- Fittings are supplied with plastic encapsulated stainless steel screws

Standards:

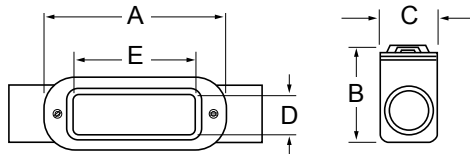
- UL Standard 514B
- CSA Standard: C22.2 No. 18

Applications:

- Full line of Form 7 PVC Coated Conduit Bodies
- Conduit Bodies are installed in conduit systems to act as pull outlets for conductors being installed, provide openings for making splices in conductors, and to provide access to conductors for maintenance and future system changes
- All fittings are supplied with PVC coated cast iron covers
- The sleeved threaded ends offer complete protection against corrosion while maintaining full ground continuity throughout the installed system



C Form 7



Part Number	Trade Size	Metric Size	A	B	C	D	E	Weight / 100
	(in)	(mm)	(in)	(in)	(in)	(in)	(in)	(lb)
PV0700C27	¾	21	7.50	1.67	1.64	1.13	3.81	140

All dimensions are for informational purposes only *Tolerances +/- 5%

PVC Coated Conduit Bodies

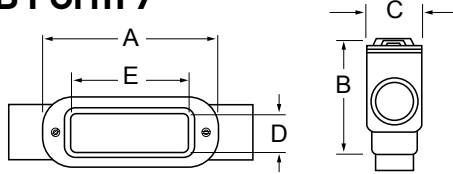
Conduit Bodies - Form 7

[Click brand for more product info](#) ↓

[Allied Tube & Conduit](#)
[Calbond](#)



LB Form 7

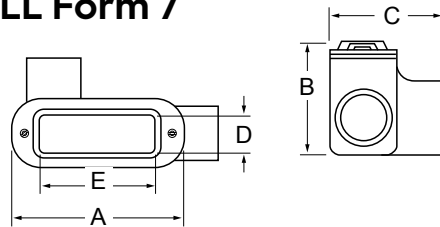


Part Number	Trade Size	Metric Size	A	B	C	D	E	Weight / 100
	(in)	(mm)	(in)	(in)	(in)	(in)	(in)	(lb)
PV0700LB27	¾	21	5.98	2.54	1.60	1.13	3.81	170
PV1000LB37	1	27	7.01	2.92	1.79	1.38	4.50	220
PV1200LB47	1¼	35	7.79	3.35	2.23	1.75	5.00	310
PV2000LB67	2	53	10.17	4.29	3.04	2.44	6.38	520

All dimensions are for informational purposes only *Tolerances +/- 5%



LL Form 7



Part Number	Trade Size	Metric Size	A	B	C	D	E	Weight / 100
	(in)	(mm)	(in)	(in)	(in)	(in)	(in)	(lb)
PV0700LL27	¾	21	5.98	1.67	2.48	1.13	3.81	160
PV1000LL37	1	27	7.04	1.92	2.49	1.38	4.50	210
PV2000LL67	2	53	10.17	3.17	4.17	2.44	6.38	570

All dimensions are for informational purposes only *Tolerances +/- 5%

PVC Coated Conduit Bodies

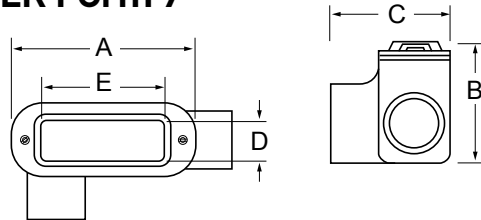
Conduit Bodies - Form 7

Click brand for more product info ↓

[Allied Tube & Conduit](#)
[Calbond](#)



LR Form 7

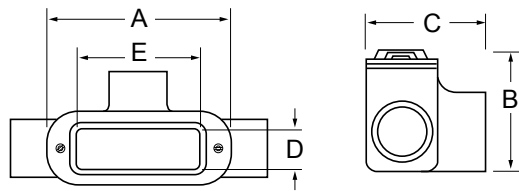


Part Number	Trade Size	Metric Size	A	B	C	D	E	Weight / 100
	(in)	(mm)	(in)	(in)	(in)	(in)	(in)	(lb)
PV0700LR27	¾	21	5.98	1.67	2.49	1.13	3.81	160
PV1000LR37	1	27	7.04	1.92	2.79	1.38	4.50	210
PV2000LR67	2	53	10.17	3.17	4.17	2.44	6.38	570

All dimensions are for informational purposes only *Tolerances +/- 5%



T Form 7



Part Number	Trade Size	Metric Size	A	B	C	D	E	Weight / 100
	(in)	(mm)	(in)	(in)	(in)	(in)	(in)	(lb)
PV0700T27	¾	21	7.75	2.04	2.67	1.13	3.81	210
PV1000T37	1	27	9.25	2.29	3.04	1.38	4.50	290
PV1200T47	1¼	35	9.94	2.35	3.23	1.75	5.00	360
PV2000T67	2	53	13.19	3.17	4.17	2.44	6.38	650

All dimensions are for informational purposes only *Tolerances +/- 5%

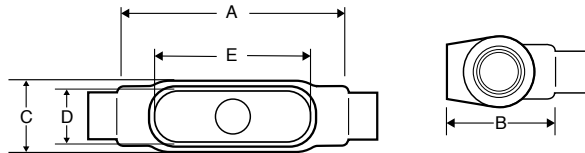
PVC Coated Conduit Bodies

Conduit Bodies - Form 7

Click brand for more product info ↓

[Allied Tube & Conduit](#)
[Calbond](#)

TB Form 7



Part Number	Trade Size	Metric Size	A	B	C	D	E	Weight / 100
	(in)	(mm)	(in)	(in)	(in)	(in)	(in)	(lb)
PV0700TB27	¾	21	7.75	2.92	1.83	1.13	3.81	210
PV2000TB67	2	53	13.19	6.17	3.08	2.44	6.38	700

All dimensions are for informational purposes only *Tolerances +/- 5%

PVC Coated Conduit Bodies

Click brand for more product info ↓

[Allied Tube & Conduit Calbond](#)

Conduit Bodies - Form 8

Features:

- Exterior PVC coating thickness is a minimum 0.040"
- Interior urethane coating thickness is a minimum 0.002"
- Specialized corrosion resistant coating provided on threads
- Fittings are supplied with plastic encapsulated stainless steel screws

Standards:

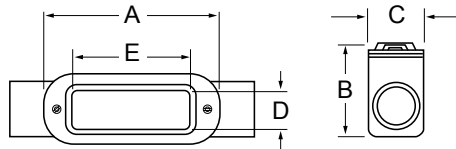
- UL Standard 514B
- UL Listed File # E307133
- CSA Standard: C22.2 No. 18
- Verified NEMA 4X Rated

Applications:

- Full line of Form 8 PVC Coated Conduit Bodies
- All fittings are supplied with PVC coated cast iron covers
- The sleeved threaded ends offer complete protection against corrosion while maintaining full ground continuity throughout the installed system



C Form 8



Part Number	Trade Size	Metric Size	A	B	C	D	E	Weight / 100
	(in)	(mm)	(in)	(in)	(in)	(in)	(in)	(lb)
PV0700C28	3/4	21	7.78	1.73	1.27	1.19	3.94	230

All dimensions are for informational purposes only *Tolerances +/- 5%

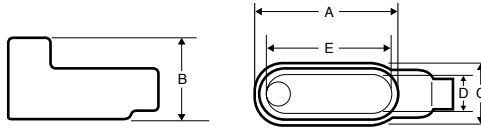
PVC Coated Conduit Bodies

Conduit Bodies - Form 8

Click brand for more product info ↓

[Allied Tube & Conduit](#)
[Calbond](#)

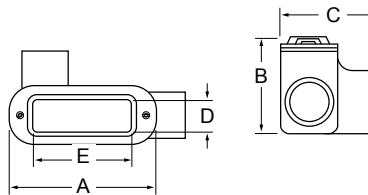
LB Form 8



Part Number	Trade Size	Metric Size	A	B	C	D	E	Weight / 100
	(in)	(mm)	(in)	(in)	(in)	(in)	(in)	(lb)
PV0700LB28	¾	21	6.35	2.48	1.60	1.19	3.94	200
PV1000LB38	1	27	7.51	2.85	1.79	1.38	4.56	290
PV1500LB58	1½	41	10.67	4.07	2.79	2.13	6.50	650
PV2000LB68	2	53	13.04	4.85	3.79	3.00	8.56	829

All dimensions are for informational purposes only *Tolerances +/- 5%

LL Form 8



Part Number	Trade Size	Metric Size	A	B	C	D	E	Weight / 100
	(in)	(mm)	(in)	(in)	(in)	(in)	(in)	(lb)
PV0700LL28	¾	21	6.35	1.73	2.35	1.19	3.94	210

All dimensions are for informational purposes only *Tolerances +/- 5%

PVC Coated Conduit Bodies

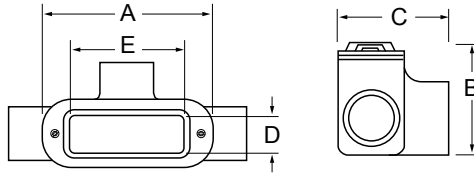
Conduit Bodies - Form 8

[Click brand for more product info](#) ↓

[Allied Tube & Conduit Calbond](#)



T Form 8



Part Number	Trade Size	Metric Size	A	B	C	D	E	Weight / 100
	(in)	(mm)	(in)	(in)	(in)	(in)	(in)	(lb)
PV0700T28	3/4	21	2.50	2.04	2.35	1.19	3.94	250
PV1000T38	1	27	3.30	2.29	2.67	1.38	4.56	330

All dimensions are for informational purposes only *Tolerances +/- 5%

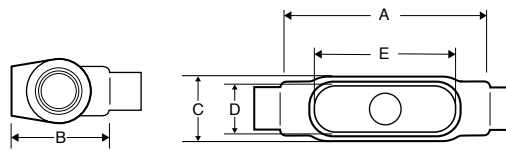
Conduit Bodies - Form 8

[Click brand for more product info](#) ↓

[Allied Tube & Conduit Calbond](#)



TB Form 8



Part Number	Trade Size	Metric Size	A	B	C	D	E	Weight / 100
	(in)	(mm)	(in)	(in)	(in)	(in)	(in)	(lb)
PV0700TB28	3/4	21	7.78	3.79	1.64	1.19	3.94	230

All dimensions are for informational purposes only *Tolerances +/- 5%

PVC Coated Conduit Hubs

[Click brand for more product info](#) ↓

[Allied Tube & Conduit Calbond](#)

ST Conduit Hubs



Features:

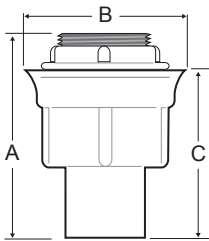
- Exterior PVC coating thickness is a minimum 0.040"
- Interior urethane coating thickness is a minimum 0.002"
- ST available in 12 trade sizes from ½" through 6"
- Sealing sleeves on conduit side of hub
- The length of the sleeve extension(s) shall be at least equivalent to the nominal conduit size for sizes ½"- 2"
- For sizes 2½"- 6", the length of the sleeve extension(s) shall be at least 2"

Standards:

- UL Listed File #E308159
- NEC/CEC:
 - Class I, Division 2,
 - Class II, Division 1 & 2
 - Class III, Division 1 & 2
 - Class I, Zone 1, AEx e II
 - Class I, Zone 1, Ex e II
- All Screw-tight Hubs are manufactured in accordance with NEMA type enclosures 2, 3, 3R, 4, 4x, 11 and 12

Applications:

- PVC Coated ST Conduit Hubs are used to terminate conduit runs into electrical enclosures
- PVC coating and internal urethane coating provide for superior corrosion protection
- Electrical continuity is maintained across assembled joints



Part Number	Trade Size	A	B	C	Max Wall Thickness	Weight Per 100
	(in)	(in)	(in)	(in)	(in)	(lb)
PV0500ST1	½	1.84	2.00	1.31	0.125	20
PV0700ST2	¾	2.22	2.25	1.66	0.125	30
PV1000ST3	1	2.66	2.50	2.03	0.125	40
PV1500ST5	1½	3.19	3.50	2.53	0.125	60
PV2000ST6	2	3.75	4.25	3.09	0.125	120
PV3000ST8	3	4.31	5.25	3.38	0.125	210

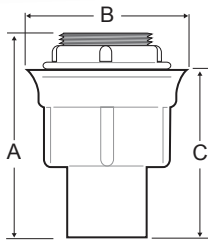
All dimensions are for informational purposes only *Tolerances +/- 5%

PVC Coated Conduit Hubs

ST Aluminum Conduit Hubs

[Click brand for more product info](#) ↓

[Allied Tube & Conduit](#)
[Calbond](#)



Features:

- Exterior PVC coating thickness is a minimum 0.040"
- Interior urethane coating thickness is a minimum 0.002"
- ST available in 12 trade sizes from ½" through 6"
- Sealing sleeves on conduit side of hub
- The length of the sleeve extension(s) shall be at least equivalent to the nominal conduit size for sizes ½" - 2"
- For sizes 2 ½" - 6", the length of the sleeve extension(s) shall be at least 2"

Standards:

- NEC/CEC:
 - Class I, Division 2,
 - Class II, Division 1 & 2
 - Class III, Division 1 & 2
 - Class I, Zone 1, AEx e II
 - Class I, Zone 1, Ex e II
- All Screw-tight Hubs are manufactured in accordance with NEMA type enclosures 2, 3, 3R, 4, 4x, 11 and 12

Applications:

- PVC Coated Aluminum ST Conduit Hubs are used to terminate conduit runs into electrical enclosures
- PVC coating and internal urethane coating provide for superior corrosion protection
- Electrical continuity is maintained across assembled joints

Part Number	Trade Size	A	B	C	Max Wall Thickness
	(in)	(in)	(in)	(in)	(in)
PA1000STA3	1	2.66	2.50	2.03	0.125

All dimensions are for informational purposes only *Tolerances +/- 5%

PVC Coated Conduit Hubs

STG Conduit Hubs

[Click brand for more product info](#) ↓

[Allied Tube & Conduit](#)
[Calbond](#)



Features:

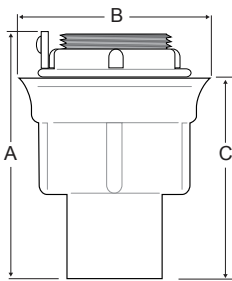
- Exterior PVC coating thickness is a minimum 0.040"
- Interior urethane coating thickness is a minimum 0.002"
- STG available in 12 trade sizes from ½" through 6"
- Molded PVC gasket seals flush with enclosure wall
- Neoprene O-ring gasket provides additional seal
- The length of the sleeve extension(s) shall be at least equivalent to the nominal conduit size for sizes ½"- 2"
- For sizes 2 ½"- 6", the length of the sleeve extension(s) shall be at least 2"

Standards:

- UL File#E352416
- NEC/CEC:
 - Class I, Division 2,
 - Class II, Division 1 & 2
 - Class III, Division 1 & 2
 - Class I, Zone 1, AEx e II
 - Class I, Zone 1, Ex e II
- All Screw-tight Hubs are manufactured in accordance with NEMA type enclosures 2, 3, 3R, 4, 4x, 11 and 12
- Grounding and Bonding Hubs are manufactured in accordance with NEMA Enclosures 2, 3, 3R, 4 and 12

Applications:

- PVC Coated STG Conduit Hubs are used to terminate conduit runs into electrical enclosures
- STG Conduit hubs feature a grounding lug on the locknut
- PVC coating and internal urethane coating provide for superior corrosion protection
- Electrical continuity is maintained across assembled joints



Part Number	Trade Size	A	B	C	Max Wall Thickness	Weight Per 100
	(in)	(in)	(in)	(in)	(in)	(lb)
PV0700STG2	¾	2.22	2.25	1.66	0.125	30
PV1000STG3	1	2.66	2.50	2.03	0.125	40
PV1200STG4	1¼	2.94	3.25	2.28	0.125	40
PV1500STG5	1 ½	3.19	3.50	2.53	0.125	60
PV4000STG10	4	4.44	6.25	3.50	0.125	350

All dimensions are for informational purposes only *Tolerances +/- 5%

PVC Coated Couplings

[Click brand for more product info](#) ↓

[Allied Tube & Conduit Calbond](#)

Rigid Couplings



Features:

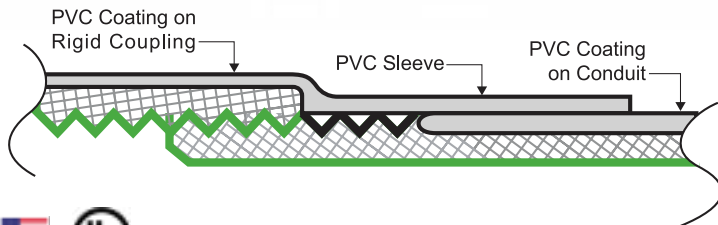
- Exterior PVC coating thickness is a minimum 0.040"
- Interior urethane coating thickness is a minimum 0.002"
- Sealing sleeves on both ends
- All couplings have straight threads (not tapered)
- Galvanized Rigid Couplings

Standards:

- Ferrous electrical conduit with PVC coating:
UL File # DYJC.E226472

Applications:

- PVC Coated Rigid Couplings are used to couple two lengths of conduit
- PVC Coated Rigid Couplings are supplied with PVC sleeves on both ends to ensure corrosion protection for the entire system



Part Number	Trade Size	Metric Size	Length of Metal	Threads per Inch	Weight per 100	Box Quantity
	(in)	(mm)	(in)		(lb)	
PV0500CP00	½	16	1.500	14	19	100
PV0700CP00	¾	21	1.532	14	32	90
PV1000CP00	1	27	1.906	11½	40	75
PV1200CP00	1¼	35	1.906	11½	50	42
PV1500CP00	1½	41	1.906	11½	69	38
PV2000CP00	2	53	1.937	11½	93	30
PV2500CP00	2½	63	2.878	8	123	17
PV3000CP00	3	78	3.031	8	217	14
PV4000CP00	4	103	3.188	8	391	11

All dimensions are for informational purposes only *Tolerances +/- 5%

PVC Coated Couplings

Aluminum Rigid Couplings

[Click brand for more product info](#) ↓

[Allied Tube & Conduit](#)
[Calbond](#)



Features:

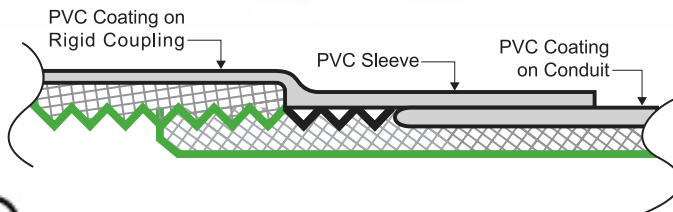
- Exterior PVC coating thickness is a minimum 0.040"
- Interior urethane coating thickness is a minimum 0.002"
- Sealing sleeves on both ends
- All couplings have straight threads (not tapered)
- 6063 T1 Aluminum Rigid Couplings

Standards:

- UL6A Listed File # E230584

Applications:

- PVC Coated Rigid Aluminum Couplings are used to couple two lengths of conduit
- PVC Coated Rigid Couplings are supplied with PVC sleeves on both ends to ensure corrosion protection for the entire system



Part Number	Trade Size	Metric Size	Length of Metal	Threads per Inch	Weight per 100	Box Qty
	(in)	(mm)	(in)		(lb)	
PA0700CP00	¾	21	1.532	14	90	90
PA1000CP00	1	27	1.906	11½	75	75
PA1500CP00	1½	41	1.906	11½	38	38
PA2000CP00	2	53	1.937	11½	30	30
PA3000CP00	3	78	3.031	8	14	14
PA4000CP00	4	103	3.188	8	11	11

All dimensions are for informational purposes only *Tolerances +/- 5%

PVC Coated Device Boxes

FD Device Boxes

Click brand for more product info ↓

[Allied Tube & Conduit](#)
[Calbond](#)



Features:

- Exterior PVC coating thickness is a minimum 0.040"
- Interior urethane coating thickness is a minimum 0.002"
- Sizes available are ½" to 1"
- Sealing sleeves on all conduit openings
- Modified boxes are available upon request
- All available covers are supplied with PVC coating

Standards:

- UL Listed Standard 514B File #E307133
- CSA Standard: C22.2 No. 18

Applications:

- Type FD PVC Coated Device Boxes offer corrosion protection to conduit systems and accommodates wiring devices and access for taps and splices
- Covers are available separately
- Electrical continuity of the conduit system is maintained across assembled system



Part Number	Trade Size (in)	Weight per 100 (lb)	A (in)	B (in)	C (in)	D (in)
Single Gang						
PV0700FD2	¾	2.80	1.630	1.920	2.690	0.790

All dimensions are for informational purposes only *Tolerances +/- 5%

PVC Coated Device Boxes

[Click brand for more product info](#) ↓

[Allied Tube & Conduit](#)
[Calbond](#)

FDC Device Boxes



Features:

- Exterior PVC coating thickness is a minimum 0.040"
- Interior urethane coating thickness is a minimum 0.002"
- Sizes available are ½" to 1"
- Sealing sleeves on all conduit openings
- Modified boxes are available upon request
- All available covers are supplied with PVC coating

Standards:

- UL Listed Standard 514B, File # 307133
- CSA Standard: C22.2 No. 18

Applications:

- Type FDC PVC Coated Device Boxes and Covers offer corrosion protection to conduit systems and accommodates wiring devices and access for taps and splices
- Covers are available separately
- Electrical continuity of the conduit system is maintained across assembled system



Part Number	Trade Size (in)	Weight per 100 (lb)	A (in)	B (in)	C (in)	D (in)
PV0700FDC2	¾	280	1.630	1.920	2.690	0.790

All dimensions are for informational purposes only *Tolerances +/- 5%

PVC Coated Device Boxes

Click brand for more product info ↓

[Allied Tube & Conduit](#)
[Calbond](#)

FS Device Boxes



Features:

- Exterior PVC coating thickness is a minimum 0.040"
- Interior urethane coating thickness is a minimum 0.002"
- Sizes available are ½" to 1"
- Sealing sleeves on all conduit openings
- Modified boxes are available upon request
- All available covers are supplied with PVC coating

Standards:

- UL Listed Standard 514B File #E307133
- CSA Standard: C22.2 No. 18

Applications:

- Type FS PVC Coated Device Boxes offer corrosion protection to conduit systems and accommodates wiring devices and access for taps and splices
- Covers are available separately
- Electrical continuity of the conduit system is maintained across assembled system



Part Number	Trade Size (in)	Weight per 100 (lb)	A (in)	B (in)	C (in)	D (in)
Single Gang						
PV0700FS2	¾	3.30	1.630	1.920	1.690	0.790

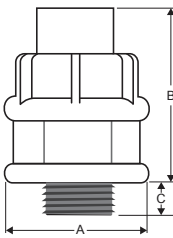
All dimensions are for informational purposes only *Tolerances +/- 5%

PVC Coated Liquidtight Connectors

Straight Liquidtight Connectors

[Click brand for more product info](#) ↓

[Allied Tube & Conduit Calbond](#)



Features:

- Exterior PVC coating thickness is a minimum 0.040"
- Sizes available are 3/8" to 4"
- The length of the sleeve extension(s) shall be at least equivalent to the nominal conduit size for sizes 1/2" - 2"
- For sizes 2 1/2" - 4", the length of the sleeve extension(s) shall be at least 2"
- Available in straight, 45 degree or 90 degree body configurations

Standards:

- UL Standard 514B
- CSA Standard: C22.2 No. 18

Applications:

- PVC Coated Liquidtight Connectors are used with Liquidtight Conduit to terminate the conduit run
- The sleeve on the liquidtight connector is sized specifically to tighten around PVC conduit
- Pulling compound is recommended for ease of installation
- Fittings are provided with a flexible sleeve on the conduit side and a sealing form on both the box side and the mating part of the gland

Straight

Part Number	Trade Size	A	B	C	Weight per 100
	(in)	(in)	(in)	(in)	(lb)
PV0500LT50	1/2	1.46	2.06	0.56	20
PV0700LT75	3/4	1.74	2.38	0.56	30
PV1000LT100	1	1.96	3.06	0.75	40
PV2000LT200	2	3.33	5.06	0.88	170

All dimensions are for informational purposes only *Tolerances +/- 5%

PVC Coated Liquidtight Connectors

[Click brand for more product info](#) ↓

[Allied Tube & Conduit](#)
[Calbond](#)

45 Degree Liquidtight Connectors



Features:

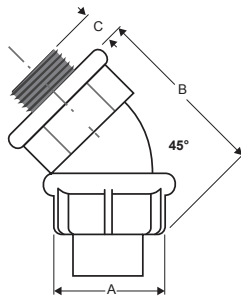
- Exterior PVC coating thickness is a minimum 0.040"
- Sizes available are ½" to 4"
- The length of the sleeve extension(s) shall be at least equivalent to the nominal conduit size for sizes ½" - 2"
- For sizes 2½" - 4", the length of the sleeve extension(s) shall be at least 2"
- Available in straight, 45 degree or 90 degree body configurations

Standards:

- UL Standard 514B
- CSA Standard: C22.2 No. 18

Applications:

- PVC Coated Liquidtight Connectors are used with Liquidtight Conduit to terminate the conduit run
- The sleeve on the liquidtight connector is sized specifically to tighten around PVC conduit
- Pulling compound is recommended for ease of installation
- Fittings are provided with a flexible sleeve on the conduit side and a sealing form on both the box side and the mating part of the gland



45°

Part Number	Trade Size	A	B	C	Weight per 100
	(in)	(in)	(in)	(in)	(lb)
PV0500LT5045	½	1.46	2.38	0.56	30

All dimensions are for informational purposes only *Tolerances +/- 5%

PVC Coated Liquidtight Connectors

90 Degree Liquidtight Connectors

[Click brand for more product info](#) ↓

[Allied Tube & Conduit](#)
[Calbond](#)



Features:

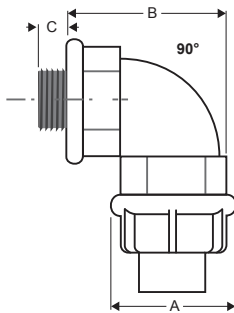
- Exterior PVC coating thickness is a minimum 0.040"
- Sizes available are ½" to 4"
- The length of the sleeve extension(s) shall be at least equivalent to the nominal conduit size for sizes ½" - 2"
- For sizes 2½" - 4", the length of the sleeve extension(s) shall be at least 2"
- Available in straight, 45 degree or 90 degree body configurations

Standards:

- UL Standard 514B
- CSA Standard: C22.2 No. 18

Applications:

- PVC Coated Liquidtight Connectors are used with Liquidtight Conduit to terminate the conduit run
- The sleeve on the liquidtight connector is sized specifically to tighten around PVC conduit
- Pulling compound is recommended for ease of installation
- Fittings are provided with a flexible sleeve on the conduit side and a sealing form on both the box side and the mating part of the gland



90°

Part Number	Trade Size	A	B	C	Weight per 100 (lb)
	(in)	(in)	(in)	(in)	
PV0500LT5090	½	1.46	2.10	0.56	30
PV0700LT7590	¾	1.74	2.54	0.56	40
PV1000LT10090	1	1.96	3.23	0.75	50

All dimensions are for informational purposes only *Tolerances +/- 5%

PVC Coated Nipples

Nipples

[Click brand for more product info](#) ↓

[Allied Tube & Conduit](#)
[Calbond](#)



Features:

- Exterior PVC coating thickness is a minimum 0.040"
- Interior Urethane coating thickness is a minimum 0.002"
- Sizes available are ½" to 6"
- Color coded threaded protectors for easy identification of conduit size

Standards:

- UL/CUL listed in accordance to UL6 & ANSI C80.1 Standards
- UL/CUL listed rigid ferrous metal conduit with polyvinyl chloride coating verified for PVC adhesion performance
- Complies with NEMA RN 1
- UL File # E226472 & E230584

Applications:

- PVC Coated Nipples are available in all lengths and diameters
- All nipples are manufactured from PVC coated conduit



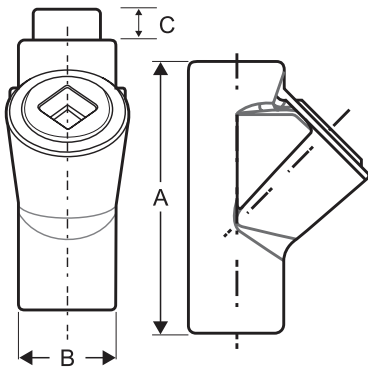
Part Number	Trade Size	Length	Weight each
	(in)	(in)	(lb)
PV0760CN00	¾ x 6	6	0.50
PV1012CN00	1 X 12	12	1.68

PVC Coated Sealing Fittings

EYS Female Hubs

[Click brand for more product info](#) ↓

[Allied Tube & Conduit](#)
[Calbond](#)



Features:

- Exterior PVC coating thickness is a minimum 0.040"
- Interior Urethane coating thickness is a minimum 0.002"
- Sizes available are ½" to 4"
- The length of the sleeve extension(s) shall be at least equivalent to the nominal conduit size for sizes ½" - 2"
- For sizes 2 ½" - 4", the length of the sleeve extension(s) shall be at least 2"
- Sealing sleeve is provided on plug hub (patching compound recommended on top of plug)
- Mating sealing forms are provided on all caps
- Sealing sleeves on all conduit openings

Standards:

- NEC/CEC:
 - EYD-11-101, 116-1016 Class I, Division 1 & 2, Groups B, C, D Class III
 - EYD1-10, 16-106 Class I, Division 1 & 2, Groups C, D Class III
 - EYD10-60, 111-611 Class I, Division 1 & 2, Groups C, D Class III
- UL Standard: 1203
- CSA Standard: C22.2

Applications:

- PVC Coated Sealing Fittings are used in hazardous locations to prevent flame and gas from continuing to travel through the conduit system
- PVC coating provides corrosion protection
- A sealing compound should be used on the interior after wiring
- Compound supplied by the original fitting manufacturer

Part Number	Trade Size	Weight per 100 (lb)	A	B	Turning Radius
	(in)		(in)	(in)	
For Sealing in Vertical Positions ONLY					
PV1000EYS3	1	210	4.31	1.83	2.38
For Sealing in Vertical or Horizontal Positions					
PV0700EYS21	¾	110	3.69	1.58	1.25

PVC Coated Sealing Fittings

EYS Male - Female Hubs

[Click brand for more product info](#) ↓

[Allied Tube & Conduit](#)
[Calbond](#)



Features:

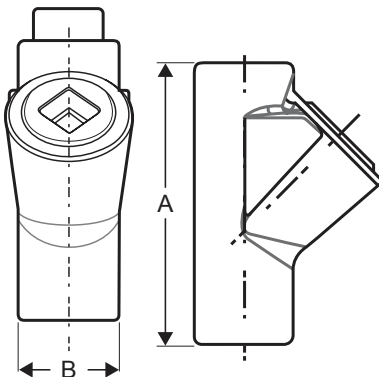
- Exterior PVC coating thickness is a minimum 0.040"
- Interior Urethane coating thickness is a minimum 0.002"
- Sizes available are ½" to 4"
- The length of the sleeve extension(s) shall be at least equivalent to the nominal conduit size for sizes ½" - 2"
- For sizes 2 ½" - 4", the length of the sleeve extension(s) shall be at least 2"
- Sealing sleeve is provided on plug hub (patching compound recommended on top of plug)
- Mating sealing forms are provided on all caps
- Sealing sleeves on all conduit openings

Standards:

- NEC/CEC:
 - EYS1-3, 11-31, 16-36, 116-316 Class I, Division 1 & 2, Groups A, B, C, D Class III
 - EYS41-101, 416-1016 Class I, Division 1 & 2, Groups B, C, D Class III
 - EYS29, 4-014, 46-0146 EZS1-8, 16-86 Class I, Division 1 & 2, Groups C, D Class III
- UL Standard: 1203
- CSA Standard: C22.2

Applications:

- PVC Coated Sealing Fittings are used in hazardous locations to prevent flame and gas from continuing to travel through the conduit system
- PVC coating provides corrosion protection
- A sealing compound should be used on the interior after wiring
- Compound supplied by the original fitting manufacturer



PVC Coated Sealing Fittings

EYS Male - Female Hubs

Click brand for more product info ↓

[Allied Tube & Conduit](#)
[Calbond](#)

Part Number	Trade Size	Weight per 100	A	B	Turning Radius
	(in)	(lb)	(in)	(in)	(in)
For Sealing in Vertical Positions ONLY					
PV1000EYS316	1	230	4.31	1.83	2.38

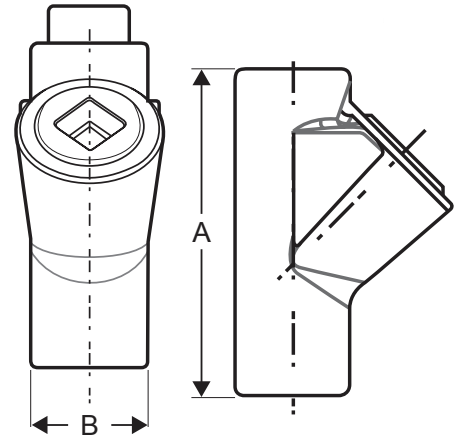
Part Number	Trade Size	Weight per 100	A	B	Turning Radius
	(in)	(lb)	(in)	(in)	(in)
For Sealing in Vertical or Horizontal Positions					
PV0700EYS216	¾	120	3.69	1.58	1.25
PV2000EYS66	2	560	6.25	3.08	2.31

PVC Coated Sealing Fittings

Aluminum EYS Male - Female Hubs

Click brand for more product info ↓

Allied Tube & Conduit
Calbond



Part Number	Trade Size (in)	Weight per 100 (lb)	A (in)	B (in)	Turning Radius (in)
For Sealing in Vertical or Horizontal Positions					
PA2000EYS66SA	2	560	6.25	3.08	2.31

PVC Coated Strut & Strut Straps

PVC Coated Strut

Click brand for more product info ↓

[Allied Tube & Conduit](#)
[Calbond](#)



Features:

- Exterior PVC coating thickness is a minimum 0.02"
- 3 trade sizes and 5 standard styles

Applications:

- PVC Coated Strut is a versatile system of structural elements that can be used to build supports for a variety of applications used in mechanical and electrical installations
- Offers 5 standard styles of strut: Standard, Back to Back, Slotted Standard, Shallow and Slotted Shallow



Standard



Back to Back



Slotted Standard

Part Number	Trade Size	Strut Style	Part Weight	Standard Pack
	(in)		(lb/ft)	
PV0000B22SH	1 5/8 x 1 5/8	Slotted Standard	1.85	50
PV0000B52SH	1 5/8 x 7/8	Slotted Shallow	1.30	500

PVC Coated Strut & Strut Straps

Click brand for more product info ↓

[Allied Tube & Conduit](#)
[Calbond](#)

PVC Coated Strut Straps



Features:

- 20 mil black PVC exterior coating
- 11 Trade sizes ½" to 5"

Applications:

- PVC Coated Strut Straps are used with coated strut to support conduit installations in a variety of configurations
- Straps may be used in either vertical or horizontal positions to support conduit
- Straps provided with stainless steel hardware
- Conduit spacing may be as close together as allowed by the couplings

Part Number	Trade Size	Gauge	Part Weight	Standard Package Quantity
	(in)		(lb/each)	
PV0700B2009	¾	14	0.15	50
PV1000B2010	1	14	0.18	50
PV1500B2012	1½	12	0.22	50
PV2000B2013	2	12	0.40	25
PV3000B2015	3	12	0.42	50
PV4000B2017	4	11	0.61	25

PVC Coated Strut Accessories

[Click brand for more product info](#) ↓

[Allied Tube & Conduit](#)
[Calbond](#)

Mini Hangers



Features:

- 20 mil black PVC exterior coating
- 10 trade sizes ½" to 4"
- Specifically sized to fit PVC Coated Conduit
- Includes stainless steel carriage bolt

Applications:

- PVC Coated Mini Hangers are used to hang conduit or cables in corrosive environments
- Constructed of galvanized steel and coated with 20 mils of PVC to protect from corrosion

Part Number	Trade Size	Weight / 100
	(in)	(lb)
PV0700MH00	¾	0.10

All dimensions are for informational purposes only *Tolerances +/- 5%

[Click brand for more product info](#) ↓

[Allied Tube & Conduit](#)
[Calbond](#)

Pipe Straps & Clamp Back Spacers

Features:

- Exterior PVC coating thickness is a minimum 0.020"
- Sizes available are ½" to 4"

Applications:

- PVC Coated Pipe Straps are used to securely mount conduit to a wall or other structure for support
- They are available in two styles: one-hole malleable iron strap or two-hole stamped steel strap
- Clamp backs are used to space the conduit from a wall or structure



1 HOLE MALLEABLE STRAPS



CLAMP BACK

Part Number	Trade Size	Weight / 100
	(in)	(lb)
PV07001S00	¾	140

Part Number	Trade Size	Weight / 100
	(in)	(lb)
PV0700CB2	¾	10

All dimensions are for informational purposes only *Tolerances +/- 5%

PVC Coated Tools & Accessories

Touch Up Compound

Click brand for more product info ↓

Allied Tube & Conduit
Calbond



Part Number	Description	Size
PV-Touchup_Black_PT	Black Touch-Up Compound with Brush Top	1 Pint
PV-Touchup_Spray	12 oz. Spray Exterior Black Touch-Up Compound	12 oz.

PVC Coated Unions

UNY Unions

[Click brand for more product info](#) ↓

[Allied Tube & Conduit](#)
[Calbond](#)



Features:

- Exterior PVC coating thickness is a minimum 0.040"
- Interior Urethane coating thickness is a minimum 0.002"
- Sizes available are ½" to 6"
- The length of the sleeve extension(s) shall be at least equivalent to the nominal conduit size for sizes ½" - 2"
- For sizes 2 ½" - 6", the length of the sleeve extension(s) shall be at least 2"
- A sealing form is provided between the mating surfaces of the unions

Standards:

- NEC/CEC:
 - UNY 105-305 Class I, Division 1 & 2, Groups A, B, C, D Class III
 - UNY 905-1005 Class I, Division 1 & 2, Groups B, C, D Class III
 - UNY All Sizes Class I, Division 1 & 2, Groups C, D Class III
- UL Standard: 1203
- CSA Standard: C22.2 NO. 30

Applications:

- PVC Coated Unions are used in conduit connections when the conduit cannot be turned
- PVC Coated unions are provided with two sealing sleeves and a sealing form in the mating joint
- For PVC Coated UNY, we provide a UNF with a close nipple

Part Number	Trade Size (in)	Weight per 100 (lb)	Length (in)	Max Diameter (in)
PV0700UNY205	¾	70	3.94	1.89



Table of Contents

↓ [Click below to view product section](#)

[Conduit Nipples for Rigid Conduit & IMC](#)

[Rigid Compression Connectors for Threadless Rigid Conduit & IMC](#)

[Rigid Compression Couplings for Threadless Rigid Conduit & IMC Malleable Iron Steel Locknuts](#)

[Three piece Couplings for Rigid Conduit & IMC](#)

[Universal Super Fitting™ 3 Piece Coupling Raintight](#)

[Universal Super Fitting™ 3 Piece Coupling](#)

[Universal Super Fitting™ 5 Piece Coupling Raintight](#)

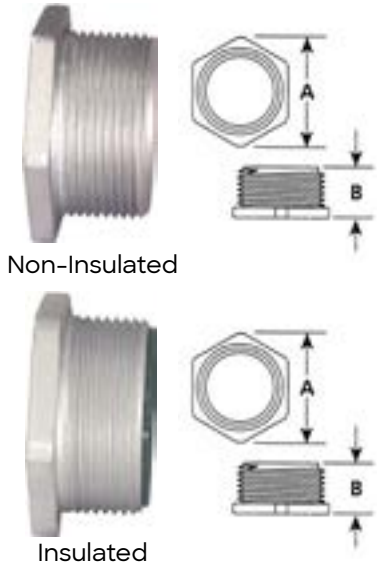
[Universal Super Fitting™ Connector](#)



Rigid Fittings

Conduit Nipples for Rigid Conduit & IMC

Click brand for more product info
[Allied Tube & Conduit](#)



Features:

- Threaded NPSM for Rigid conduit and IMC
- RoHS compliant

Standard Materials:

- Steel in 1/2" size
- Insulator: Nylon
- Malleable Iron / Ductile Iron 3/4" - 6"

Standard Finish:

- Zinc plated

Certifications & Compliances:

- UL Standard: 514B
- Fed. Spec. A-A-50553
- NEMA: FB-1
- UL Listed File # E207875

Applications:

- Use through knockout to connect box to conduit coupling
- Use with a locknut to connect two boxes side by side or back to back
- Use with a locknut to connect fixture housing to continuous runs



Part Number	Trade Size (in)	Dim A (in)	Dim B (in)	Inner Pack	Master Pack	Weight Per C (lb)
Non-Insulated						
N75KON	3/4	1.438	0.750	100	1000	7.7
N200KON	2	2.875	1.250	—	25	37.5
N400KON	4	4.875	1.688	—	10	198.4
Insulated						
N400-ICKON	4	4.875	1.813	—	10	201.6

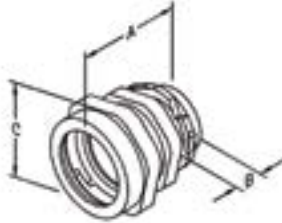
Rigid Fittings

Rigid Compression Connectors for Threadless Rigid Conduit & IMC

Click brand for more product info ↓
[Allied Tube & Conduit](#)



Non-Insulated



Features:

- Concrete tight male hub threads
- NPSM thread 1/2" thru 2"
- NPT thread above 2"

Standard Materials:

- Malleable Iron/Ductile Iron
- Steel locknut
- Insulator: Nylon

Standard Finish:

- Zinc plated

Certifications & Compliances:

- UL Standard: 514B
- Fed. Spec. A-A-50553
- NEMA: FB-1
- UL Listed File # E207875

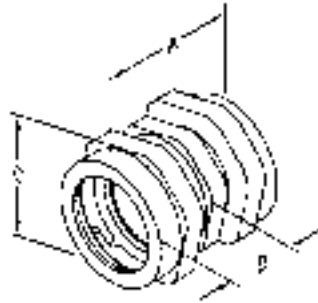


Part Number	Trade Size (in)	Dim A (in)	Dim B (in)	Dim C (in)	Inner Pack	Master Pack	Weight Per C (lb)
Non-Insulated							
RCC200KON	2	2.250	0.880	3.313	5	25	118.5

Rigid Fittings

Rigid Compression Couplings for Threadless Rigid Conduit & IMC Malleable Iron

Click brand for more product info ↓
[Allied Tube & Conduit](#)



Features:

- Concrete tight

Standard Finish:

- Malleable Iron / Ductile Iron
- Zinc plated

Certifications & Compliances:

- UL Standard: 514B
- Fed. Spec. A-A-50553
- NEMA: FB-1
- UL Listed File # E207875



Part Number	Trade Size (in)	Dim A (in)	Dim B (in)	Dim C (in)	Inner Pack	Master Pack	Weight Per C (lb)
RCK400KON	4	5.313	2.438	5.313	1	5	626.1

Rigid Fittings

Click brand for more
product info ↓

[Allied Tube & Conduit](#)

Steel Locknuts



Steel Locknut



Features:

- Six tab design for easy gripping
- Tabs provide bonding continuity

Standard Materials:

- Steel or Aluminum

Standard Finish:

- Zinc plated (steel)

Certifications & Compliances:

- UL Standard 514B
- CSA Standard C22.2 No. 18.3
- NEMA FB-1

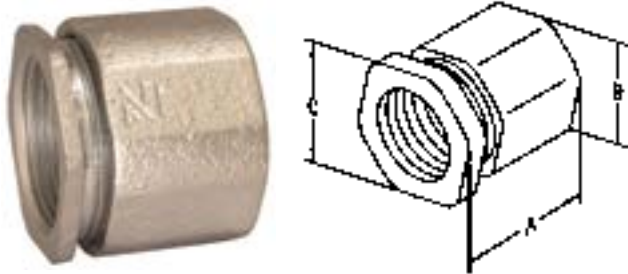
Part Number	Trade Size (in)	Dim A (in)	Dim B (in)	Thread Pitch Diameter	Thread Minor Diameter Min.	Tabs	TPI	Inner Pack	Master Pack	Weight Per C (lb)
17KON	2 ½	3.562	0.375	2.804-2.816	2.770	6	8	25	250	10.7

Rigid Fittings

Three piece Couplings for Rigid Conduit & IMC

[Click brand for more product info](#)

[Allied Tube & Conduit](#)



Three Piece Coupling

Features:

- Heavy-duty casting
- Concrete tight
- Direct burial without tape
- Couples conduits when conduit cannot be turned
- RoHS compliant

Standard Materials:

- Malleable Iron / Ductile Iron

Standard Finish:

- Zinc plated

Certifications & Compliances:

- UL Standard: 514B
- Fed. Spec. A-A-50553
- NEMA: FB-1
- UL Listed File # E207875



Part Number	Trade Size (in)	Dim A (in)	Dim B (in)	Dim C (in)	Inner Pack	Master Pack	Weight Per C (lb)
EC250KON	2 1/2	3.125	4.063	4.063	2	10	327.4
EC400KON	4	4.000	5.750	5.750	-	1	718.3

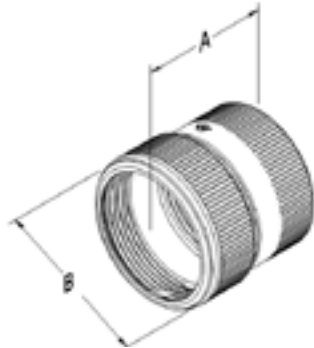
Rigid Fittings

Universal Super Fitting™ 3 Piece Coupling Raintight

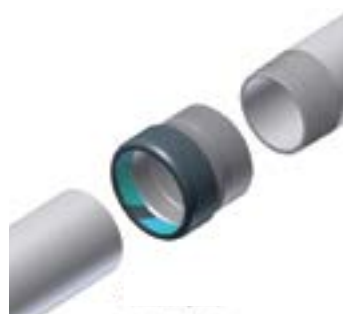
Click brand for more product info
[Allied Tube & Conduit](#)



Threaded GRC / IMC to Threaded GRC / IMC



Threaded GRC/ IMC to Unthreaded GRC/IMC/ EMT



Features:

- UL Listed for Wet Location
- Ease of installation/Quick-connect
- Universal connecting - Threaded to Threaded, Threaded to Unthreaded
- No more turning Conduit
- Self Pipe Alignment
- Eliminates field threading

Standard Materials:

- Steel
- Nylon
- Neoprene

Standard Finish:

- Zinc Plated

Certifications & Compliances:

- UL us listed UL 514B; C22.2 No. 18.3-12
- UL Listed File # E207875

Applications:

- Used to join two lengths of conduit; couples conduit when conduit cannot be turned
- Suitable for outdoor applications
- Threaded GRC/IMC to Threaded GRC/IMC
- Threaded GRC/IMC to Unthreaded GRC/IMC
- Threaded GRC/IMC to Thin Wall EMT (2 1/2" - 4")
- Threaded GRC/IMC to PVC

U.S. Patent No. 8.586.881



Part Number	Replaces Part Number	Trade Size	Dim A	Dim B	Inner Pack	Master Pack	Weight Per C
		(in)	(in)	(in)			(lb)
SECR300KON**	EC300KON	3	4.024	4.08	1	-	211.0

* Use with Rigid, and IMC

** Use with Rigid, IMC, and EMT

^UL approved for threaded to threaded only

Note 1: *Permitted for use in Class I Div. 2 locations per NEC501.10 (B) (1) and in Class II Div. 2 locations per NEC 502.10 (B) (1)

Note 2: *Permitted for use in direct contact with earth per NEC 344.10 (B) (1)

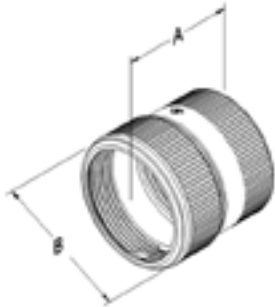
Rigid Fittings

Universal Super Fitting™ 3 Piece Coupling

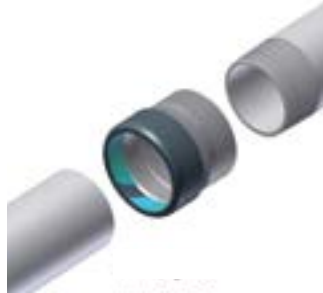
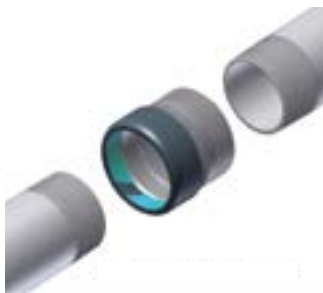
Click brand for more product info ↓
[Allied Tube & Conduit](#)



Threaded GRC / IMC to Threaded GRC / IMC



Threaded GRC / IMC to Unthreaded GRC / IMC / EMT / PVC



Features:

- UL Concrete-tight
- Ease of installation/Quick-connect
- Universal connecting - Threaded to Threaded, Threaded to Unthreaded
- No more turning Conduit
- Self Pipe Alignment
- Eliminates field threading
- Fit PVC Schedule 40 and Schedule 80

Standard Materials:

- Steel

Standard Finish:

- Zinc plated

Certifications & Compliances:

- UL us listed UL 514B; C22.2 No. 18.3-12
- UL Listed File # E207875

Applications:

- Used to join two lengths of conduit; couples conduit when conduit cannot be turned
- Threaded GRC/IMC to Threaded GRC/IMC
- Threaded GRC/IMC to Unthreaded GRC/IMC
- Threaded GRC/IMC to PVC
- Threaded GRC/IMC to Thin Wall EMT (2 1/2" to 4")

U.S. Patent No. 8.586.881



Part Number	Replaces Part Number	Trade Size (in)	Dim A (in)	Dim B (in)	Inner Pack	Master Pack	Weight Per C (lb)
SEC75KON*	EC75KON	¾	1.62	1.45	25	100	23
SEC100KON*	EC100KON	1	1.96	1.71	10	50	36
SEC150KON*	EC150KON	1 ½	2.12	2.32	5	25	55
SEC200KON*	EC200KON	2	2.19	2.80	2	10	70
SEC250KON**	EC250KON	2 ½	3.19	3.45	2	-	170
SEC300KON**	EC300KON	3	3.31	4.08	1	-	210
SEC350KON**	EC350KON	3 ½	3.55	4.59	1	-	270
SEC400KON**	EC400KON	4	3.92	5.24	1	-	370
SEC500KON*	EC500KON	5	5.38	6.25	1	-	538

* Use with Rigid and IMC

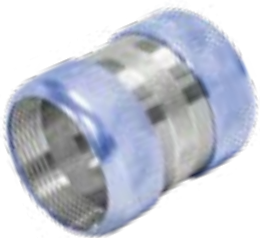
** Use with Rigid, IMC, EMT and PVC

Note 1: *Permitted for use in Class I Div. 2 locations per NEC501.10 (B) (1) and in Class II Div. 2 locations per NEC 502.10 (B) (1)

Rigid Fittings

Universal Super Fitting™ 5 Piece Coupling Raintight

Click brand for more product info ↓
[Allied Tube & Conduit](#)



Threaded GRC/IMC to Threaded GRC/IMC



Threaded GRC/IMC to Unthreaded GRC/IMC/EMT



Unthreaded GRC/IMC /EMT to Unthreaded GRC/IMC /EMT



Features:

- UL Listed for wet location
- Suitable for direct burial applications
- Ease of installation/quick-connect
- Universal connecting - threaded to threaded, threaded to unthreaded
- No more turning conduit
- Self pipe alignment
- Eliminates field threading
- Fit GRC/IMC/EMT (fits all UL approved metal conduit)

Standard Materials:

- Steel, Nylon, Neoprene

Standard Finish:

- Zinc plated

Certifications & Compliances:

- UL us listed UL 514B; C22.2 No. 18.3-12
- UL Listed File # E207875

Applications:

- Used to join two lengths of conduit; couples conduit when conduit cannot be turned
- Suitable for outdoor applications
- Threaded GRC/IMC to threaded GRC/IMC
- Threaded GRC/IMC to unthreaded GRC/IMC/EMT
- Unthreaded GRC/IMC/EMT to unthreaded GRC/IMC/EMT/PVC (2 1/2" - 4")

U.S. Patent No. 8.586.881



Part Number	Replaces Part Number	Trade Size	Dim A	Dim B	Inner Pack	Master Pack	Weight Per C
		(in)	(in)	(in)			(lb)
SRCKR400KON**	RCK400KON	4	4.600	5.090	-	1	4.400

* Use with Rigid, IMC

** Use with Rigid, IMC, EMT

Note 1: *Permitted for use in Class I Div. 2 locations per NEC501.10 (B) (1) and in Class II Div. 2 locations per NEC 502.10 (B) (1)

Note 2: *Permitted for use in direct contact with earth per NEC 344.10 (B) (1)

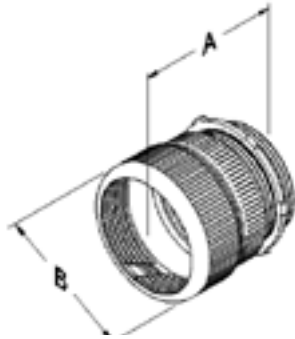
Rigid Fittings

Universal Super Fitting™ Connector

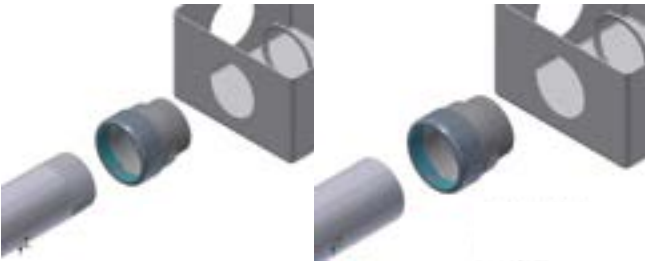
Click brand for more product info ↓
[Allied Tube & Conduit](#)



Threaded GRC/IMC to Metal Box



Unthreaded GRC/IMC/EMT/PVC to Metal Box



Features:

- UL Listed concrete tight
- Ease of installation/quick-connect
- Universal connecting - threaded or unthreaded
- No more turning conduit
- Self pipe alignment
- Eliminates field threading
- Fit GRC/IMC/EMT (fits all UL approved metal pipe)
- Fit PVC Schedule 40 and Schedule 80
- Lightweight

Standard Materials:

- Steel

Standard Finish:

- Zinc plated

Certifications & Compliances:

- UL us Listed UL 514B; C22.2 No. 18.3-12
- UL Listed File # E207875

Applications:

- Used to join conduit to a metal enclosure
- Metal enclosure to threaded GRC/IMC
- Metal enclosure to unthreaded GRC/IMC
- Metal enclosure to PVC
- Metal enclosure to thin wall EMT (2 1/2" to 4")

U.S. Patent No. 8.586.881



Part Number	Replaces Part Number	Trade Size	Dim A	Dim B	Inner Pack	Master Pack	Weight Per C
		(in)	(in)	(in)			(lb)
SRCC250KON**	RCC250KON	2 ½	3.460	3.450	2	-	210.0
SRCC300KON**	RCC300KON	3	3.490	4.080	1	-	270.0
SRCC400KON**	RCC400KON	4	3.810	5.090	1	-	390.0

* Use with Rigid and IMC

** Use with Rigid, IMC, EMT and PVC

Note 1: *Permitted for use in Class I Div. 2 locations per NEC501.10 (B) (1) and in Class II Div. 2 locations per NEC 502.10 (B) (1)



STRUT SYSTEMS



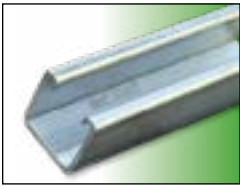
Unistrut
Power-Strut

Strut Systems - Table of Contents

↓ [Click below to view product section](#)

[Product Introduction](#)
[Channel](#)
[Fittings](#)

Product Introduction

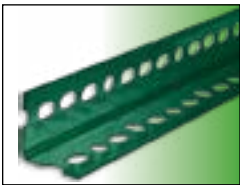


Unistrut Metal Framing is the original strut system offering a time and money saving alternative to conventional support methods. The Unistrut system eliminates welding and drilling, and is easily adjustable, demountable and reusable.



Featuring The Unique Unistrut Connection

- No Welding
- No Drilling
- 100% Adjustable
- 100% Reusable



Hex-head bolt threads easily into a spring nut, connecting fitting to channel in a quick one-hand operation.

When the nut is tightened against the inturned edges, the nut teeth create a vise-like grip, tying sides together in a strong "box" configuration.

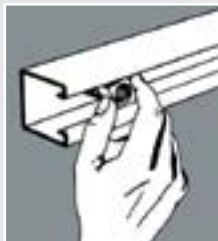
Spring allows precision placement anywhere along channel length, then holds the nut in position while connection is completed.



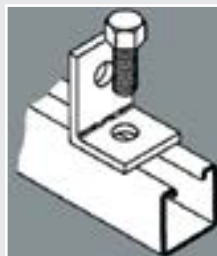
Fifteen channel sizes and hundreds of fittings give you engineered solutions to a virtually limitless variety of projects.



1 Insert the spring nut anywhere along the continuous slotted channel. Rounded nut ends permit easy insertion.



2 A 90° clockwise turn aligns the grooves in the nut with the inturned edges of the channel. Fittings can be placed anywhere along the channel opening.



3 Insert bolt through fitting and into the spring nut.



4 Additional channel sections can now be bolted to the fitting already in place by using steps 1-3.



5 Tightening with a wrench locks the serrated teeth of the nut into the inturned edges of the channel, forming a strong, vise-like connection.

Product Introduction

Features:

- No welding or drilling required
- Easily adjustable and reusable for infinite configurations
- No special tools required for installation or adjustment

Applications:

- Trapeze Supports
- Seismic Bracing
- Ceiling Grids
- Pipe, Conduit, Duct & Cable Tray Supports
- Storage Racks and Shelving
- Other General Framing



STRUT SYSTEMS CHANNEL

Unistrut
Power-Strut

Table of Contents

↓ [Click below to view product section](#)

Channel Options

Materials & Finishes

12 Gage Channel, 1 5/8" x 1 5/8"

P1000

PS 200

12 Gage Back-to-Back Channel, 1 5/8" x 1 5/8"

P1001

PS 200 2T3

12 Gage Combination Channel, 1 5/8" x 1 5/8"

P1001A

12 Gage Channel, 1 5/8" x 7/8"

P3300

12 Gage Channel, 1 5/8" x 3 1/4"

P5000

12 Gage Back-to-Back Channel, 1 5/8" x 3 1/4"

P5001

12 Gage Channel, 1 5/8" x 2 7/16"

P5500

Table of Contents continued on next page

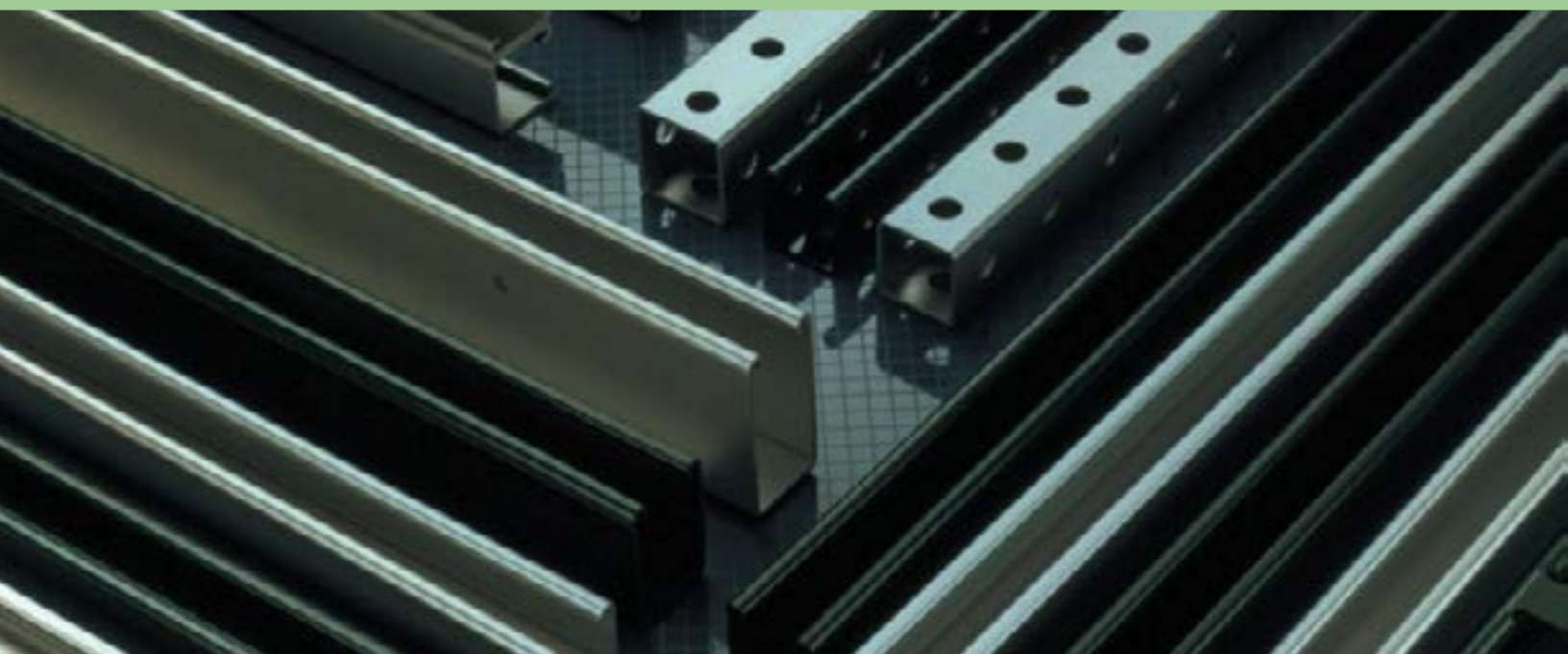


Table of Contents (continued)

↓ [Click below to view product section](#)

12 Gage Back-to-Back Channel, 1 5/8" x 2 7/16"

P5501

14 Gage Channel, 1 5/8" x 1 5/8"

P1100

PS 210

14 Gage Channel, 1 5/8" x 1 3/16"

P4100

PS 500

14 Gage Back-to-Back Channel, 1 5/8" x 1 3/16"

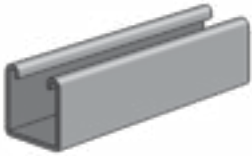
P4101

19 Gage Channel, 1 3/16" x 1 3/32"

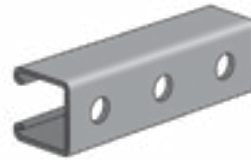
P7000

Channel Options

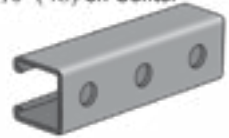
Solid



"H" and "HS" Holes



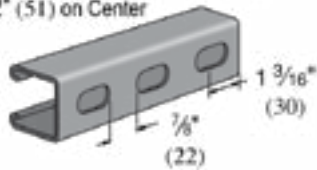
9/16" (14) Dia. Holes
1 7/8" (48) on Center



"EH" and "T" Slots



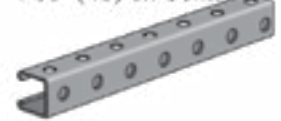
Slots are 1 1/8" (29) x 9/16" (14)
2" (51) on Center



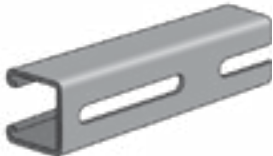
"H3" Holes



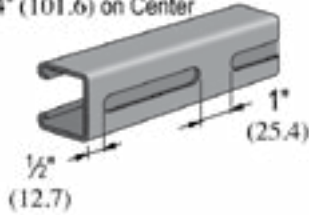
9/16" (14) Dia. Holes
1 7/8" (48) on Center



"S" and "SL" Slots



Slots are 3" (76.2) x 1 1/32" (10.3)
4" (101.6) on Center



"KO" and "KO6" Knock-Outs



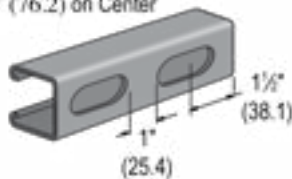
7/8" (22.2) Knockouts
6" (152.4) on Center



"WT" Slots



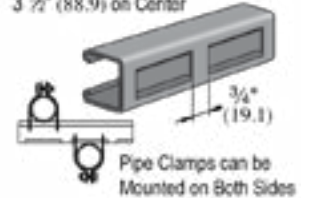
Slots are
2" (50.8) x 1 1/16" (17.5)
3" (76.2) on Center



"DS" Double Slots



Slots are 2 3/4" (69.9) x 7/8" (22.2)
3 1/2" (88.9) on Center



Materials & Finishes

Materials & Finishes

Standard	
Pregalvanized (PG)	Conforms to ASTM A653 SS GR 33, G90
Unistrut Defender (DF)	Conforms to ASTM A1046 SS GR 33
Hot Dip Galvanized (HG)	Steel conforms to ASTM A1011 SS GR 33, Finish conforms to ASTM A123
Perma-Green (GR)	Steel conforms to ASTM A1011 SS GR 33, E-Coat or Powder Coat finish
Perma-Gold (ZD)	Steel conforms to ASTM A1011 SS GR 33, Finish conforms to ASTM B633, Type II SC3
Plain (PL)	Conforms to ASTM A1011 SS GR 33
Special Metals	
Stainless Steel, Type 304 (SS)	ASTM A240, Type 304 *
Stainless Steel, Type 316 (ST)	ASTM A240, Type 316 *
Aluminum (EA)	ASTM B221, Type 6063-T6 (Extruded) *

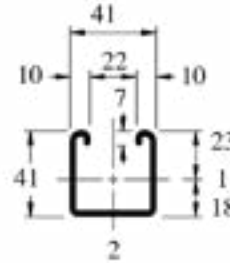
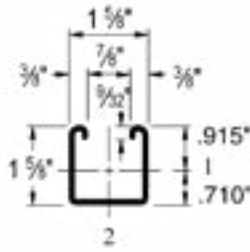
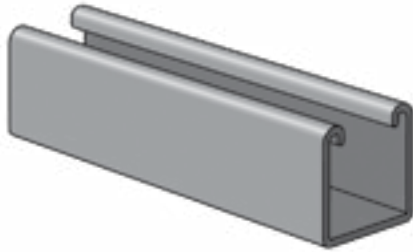
* These materials have different physical properties and performance characteristics. [Click here](#) to contact Atkore for design support.

12 Gage Channel, 1 5/8" x 1 5/8"

Click brand for more product info ↓

[Unistrut](#)

P1000



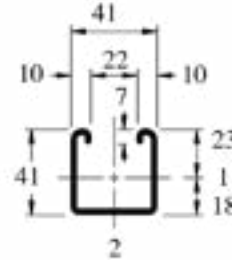
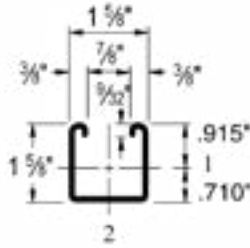
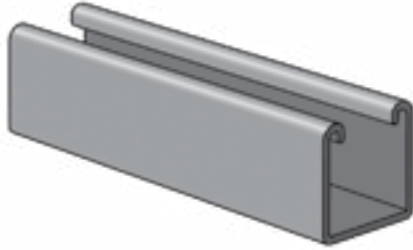
Part Number	Holes	Length (ft)	Finish	Product Weight / Ft (lb/ft)
P1000				
P1000 10EA	None (Solid)	10	EA	0.733
P1000 10HG	None (Solid)	10	HG	2.014
P1000 10PG	None (Solid)	10	PG	1.890
P1000 10SS	None (Solid)	10	SS	1.910
P1000 20HG	None (Solid)	20	HG	2.014
P1000 20PG	None (Solid)	20	PG	1.890
P1000 20PL	None (Solid)	20	PL	1.890
P1000 20SS	None (Solid)	20	SS	1.910
P1000HS				
P1000HS 10PG	HS	10	PG	1.850
P1000SL				
P1000SL 10GR	SL	10	GR	1.910
P1000SL 20PG	SL	20	PG	1.850
P1000T				
P1000T 10EA	T	10	EA	0.740
P1000T 10GR	T	10	GR	1.850
P1000T 10HG	T	10	HG	1.961
P1000T 10PG	T	10	PG	1.850
P1000T 10SS	T	10	SS	1.880
P1000T 10ST	T	10	ST	1.890
P1000T 20GR	T	20	GR	1.850
P1000T 20HG	T	20	HG	1.961
P1000T 20PG	T	20	PG	1.850
P1000T 20SS	T	20	SS	1.850

12 Gage Channel, 1 5/8" x 1 5/8"

Click brand for more product info

[Power-Strut](#)

PS 200



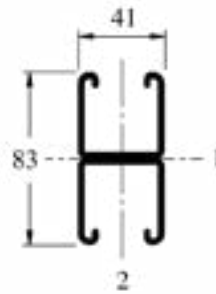
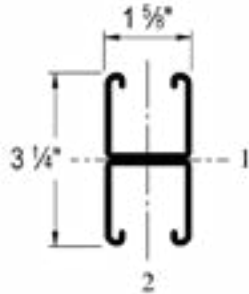
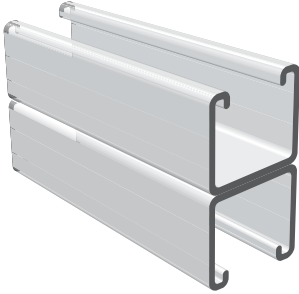
Part Number	Holes	Length (ft)	Finish	Product Weight / Ft (lb/ft)
PS 200				
810100	None (Solid)	10	AL	0.75
610206	None (Solid)	10	GR	1.89
610202	None (Solid)	10	HG	1.89
610204	None (Solid)	10	PG	1.89
610310	None (Solid)	10	SS	1.89
600204	None (Solid)	20	PG	1.89
PS 200 EH				
810150	EH	10	AL	0.67
610306	EH	10	GR	1.85
610302	EH	10	HG	1.85
610304	EH	10	PG	1.85
610280	EH	10	SS	1.88
600304	EH	20	PG	1.85
PS 200 S				
610294	S	10	PG	1.85

12 Gage Back-to-Back Channel, 1 5/8" x 1 5/8"

Click brand for more product info ↓

[Unistrut](#)

P1001



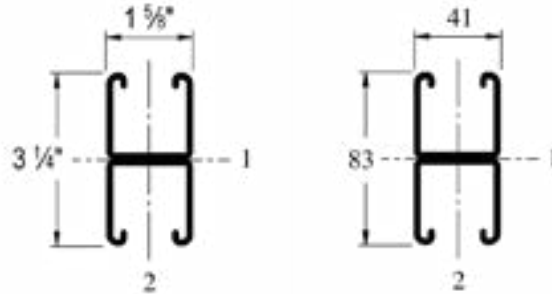
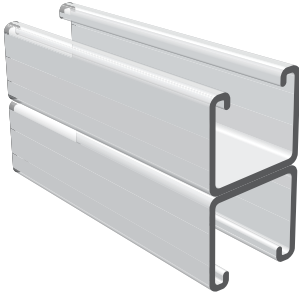
Part Number	Holes	Length (ft)	Finish	Product Weight / Ft (lb/ft)
P1001				
P1001 10EA	None (Solid)	10	EA	1.310
P1001 10HG	None (Solid)	10	HG	3.840
P1001 10PG	None (Solid)	10	PG	3.780
P1001 10SS	None (Solid)	10	SS	3.840
P1001 20PG	None (Solid)	20	PG	3.780
P1001T				
P1001T 10GR	T	10	GR	3.840
P1001T 10HG	T	10	HG	3.920
P1001T 10PG	T	10	PG	3.780
P1001T 10SS	T	10	SS	3.840
P1001T 20GR	T	20	GR	3.840
P1001T 20PG	T	20	PG	3.780

12 Gage Back-to-Back Channel, 1 5/8" x 1 5/8"

Click brand for more product info ↓

[Power-Strut](#)

PS 200 2T3



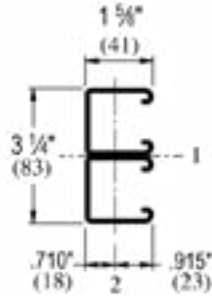
Part Number	Holes	Length (ft)	Finish	Product Weight / Ft (lb/ft)
PS 200 2T3				
610362	None (Solid)	10	HG	3.780
610364	None (Solid)	10	PG	3.780
600364	None (Solid)	20	PG	3.780
PS 200 EH 2T3				
703367	EH	10	HG	3.700
529453	EH	10	PG	3.640

12 Gage Combination Channel, 1 5/8" x 1 5/8"

Click brand for more product info ↓

[Unistrut](#)

P1001A



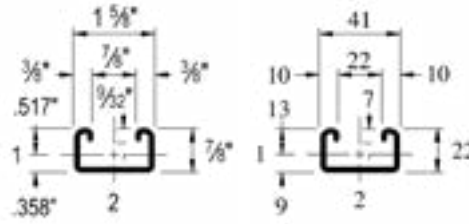
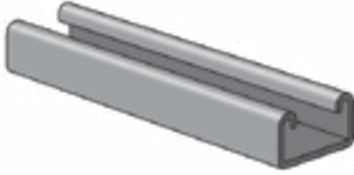
Part Number	Holes	Length (ft)	Finish	Product Weight / Ft (lb/ft)
P1001A				
P1001A 20PG	None (Solid)	20	PG	3.780
P1001A 20PL	None (Solid)	20	PL	3.780

12 Gage Channel, 1 5/8" x 7/8"

Click brand for more product info ↓

[Unistrut](#)

P3300



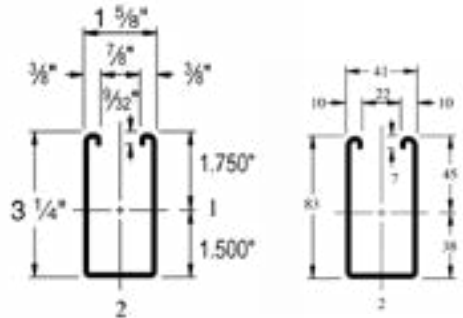
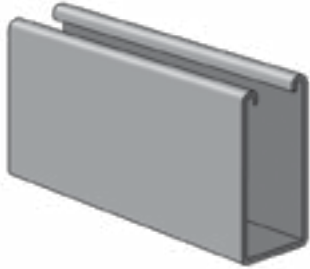
Part Number	Holes	Length (ft)	Finish	Product Weight / Ft (lb/ft)
P3300				
P3300 10HG	None (Solid)	10	HG	1.350
P3300 10PG	None (Solid)	10	PG	1.340
P3300 10PL	None (Solid)	10	PL	1.340
P3300 20PG	None (Solid)	20	PG	1.340
P3300 20PL	None (Solid)	20	PL	1.340
P3300T				
P3300T 10PG	T	10	PG	1.300
P3300T 20PG	T	20	PG	1.300

12 Gage Channel, 1 5/8" x 3 1/4"

Click brand for more product info ↓

[Unistrut](#)

P5000



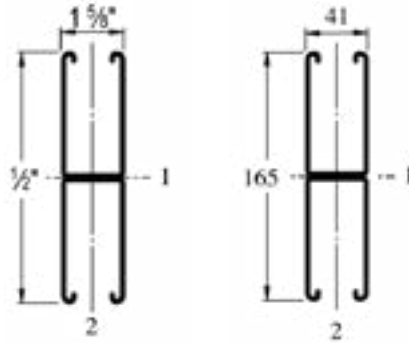
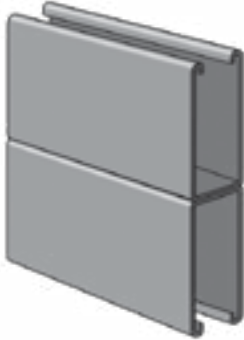
Part Number	Holes	Length (ft)	Finish	Product Weight / Ft (lb/ft)
P5000				
P5000 10PG	None (Solid)	10	PG	3.050
P5000 20PG	None (Solid)	20	PG	3.050
P5000T				
P5000T 10PG	T	10	PG	3.000
P5000T 20PG	T	20	PG	3.000

12 Gage Back-to-Back Channel, 1 5/8" x 3 1/4"

Click brand for more product info ↓

[Unistrut](#)

P5001



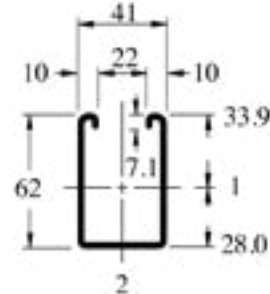
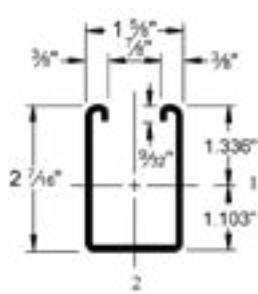
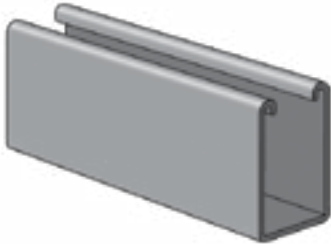
Part Number	Holes	Length (ft)	Finish	Product Weight / Ft (lb/ft)
P5001				
P5001 20PG	None (Solid)	20	PG	6.100

12 Gage Channel, 1 5/8" x 2 7/16"

Click brand for more product info ↓

[Unistrut](#)

P5500



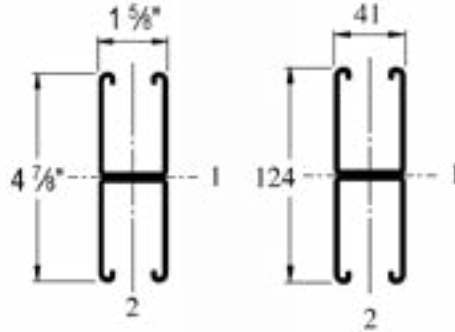
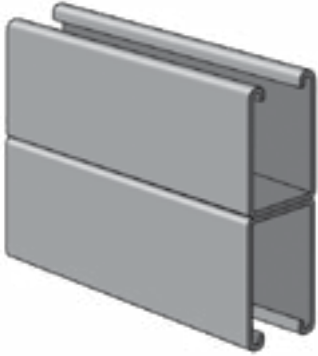
Part Number	Holes	Length (ft)	Finish	Product Weight / Ft (lb/ft)
P5500				
P5500 20PG	None (Solid)	20	PG	2.470
P5500T				
P5500T 20PG	T	20	PG	2.470

12 Gage Back-to-Back Channel, 1 5/8" x 2 7/16"

Click brand for more product info ↓

[Unistrut](#)

P5501



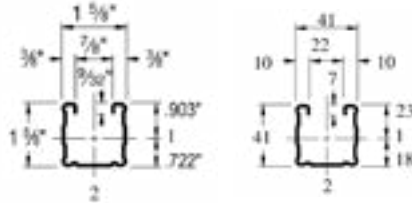
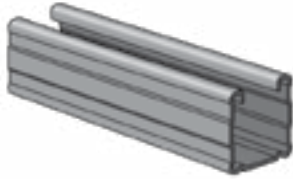
Part Number	Holes	Length (ft)	Finish	Product Weight / Ft (lb/ft)
P5501				
P5501 20PG	None (Solid)	20	PG	4.940

14 Gage Channel, 1 5/8" x 1 5/8"

Click brand for more product info ↓

P1100

[Unistrut](#)

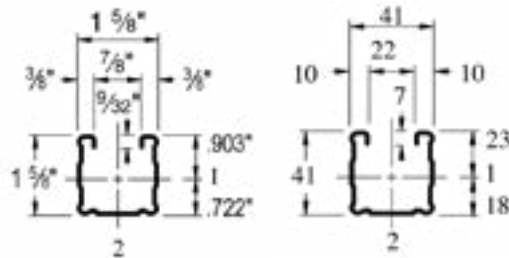


Part Number	Holes	Length (ft)	Finish	Product Weight / Ft (lb/ft)
P1100T				
P1100T 10PG	T	10	PG	1.360

Click brand for more product info ↓

PS 210

[Power-Strut](#)



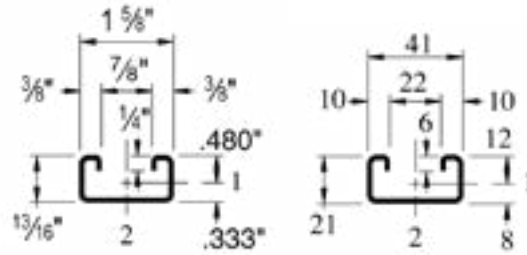
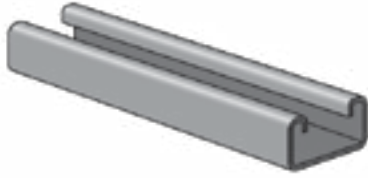
Part Number	Holes	Length (ft)	Finish	Product Weight / Ft (lb/ft)
PS 210 EH				
610144	EH	10	PG	1.370
600144	EH	20	PG	1.430

14 Gage Channel, 1 5/8" x 13/16"

Click brand for more product info ↓

[Unistrut](#)

P4100



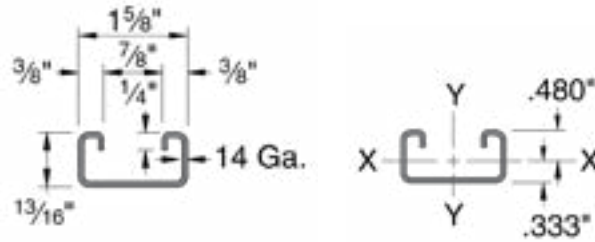
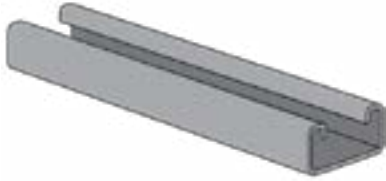
Part Number	Holes	Length (ft)	Finish	Product Weight / Ft (lb/ft)
P4100				
P4100 10PG	None (Solid)	10	PG	0.980
P4100 10SS	None (Solid)	10	SS	0.980
P4100 20PG	None (Solid)	20	PG	0.980
P4100T				
P4100T 10HG	T	10	HG	0.922
P4100T 10PG	T	10	PG	0.870
P4100T 10SS	T	10	SS	0.870
P4100T 20PG	T	20	PG	0.870

14 Gage Channel, 1 5/8" x 13/16"

PS 500

Click brand for more product info ↓

[Power-Strut](#)



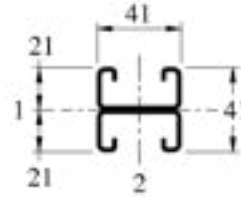
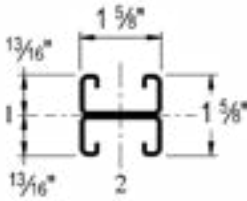
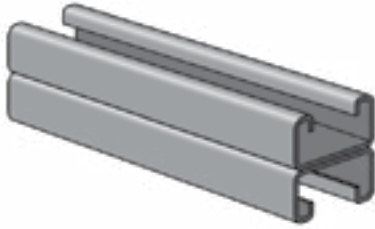
Part Number	Holes	Length (ft)	Finish	Product Weight / Ft (lb/ft)
PS 500				
610604	None (Solid)	10	PG	0.980
PS 500 EH				
610636	EH	10	GR	0.940
610632	EH	10	HG	0.922
610634	EH	10	PG	0.870
610670	EH	10	SS	0.970
600634	EH	20	PG	0.870

14 Gage Back-to-Back Channel, 1 5/8" x 13/16"

Click brand for more product info ↓

[Unistrut](#)

P4101



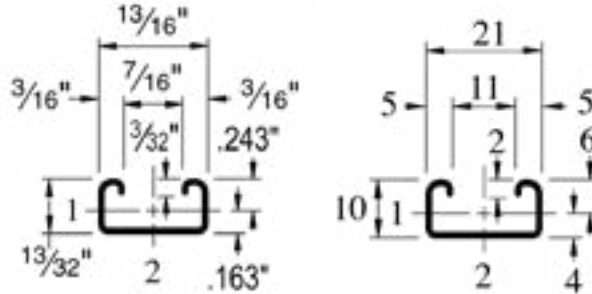
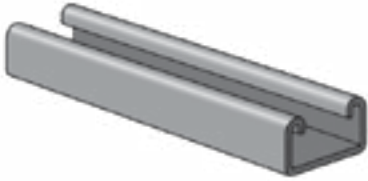
Part Number	Holes	Length (ft)	Finish	Product Weight / Ft (lb/ft)
P4101T				
P4101T 10PG	T	10	PG	1.740

19 Gage Channel, $1\frac{3}{16}$ " X $1\frac{3}{32}$ "

Click brand for more product info ↓

P7000

Unstrut



Part Number	Holes	Length (ft)	Finish	Product Weight / Ft (lb/ft)
P7000				
P7000 10PG	None (Solid)	10	PG	0.100
P7000 10PL	None (Solid)	10	PL	0.250
P7000 10SS	None (Solid)	10	SS	0.260



STRUT SYSTEMS FITTINGS

Unistrut
Power-Strut

Table of Contents

↓ [Click below to view product section](#)

- Materials & Finishes
- 1 5/8" Metal Framing
 - Channel Nuts
 - Beam Clamps
 - Brackets & Braces
 - Brace Fittings
 - Clamps & Saddles
 - Closure Strips & End Caps
 - Concrete Inserts
 - Hangers
 - Hardware
- General Fittings
 - Flat Plate Fittings
 - 90° Fittings
 - Angular Fittings
 - "Z" Shape Fittings
 - "U" Shape Fittings
 - Wing Shape Fittings

Table of Contents continued on next page



Table of Contents (continued)

↓ [Click below to view product section](#)

- Pipe & Conduit Supports
- Post Bases
- Trolleys
- 1 ¼" Metal Framing
 - Channel Nuts
 - Strut Fittings
- 1 3/16" Metal Framing
 - Channel Nuts
 - Strut Fittings
- Telestrut® System

Materials & Finishes

Materials & Finishes

Standard	
Electrogalvanized (EG)	Conforms to ASTM B633, Type III SC1 or SC3
Pregalvanized (PG)	Conforms to ASTM A653 SS GR 33, G90
Unistrut Defender (DF)	Conforms to ASTM A1046 SS GR 33
Hot Dip Galvanized (HG)	Steel conforms to ASTM A1011 SS GR 33, Finish conforms to ASTM A123
Perma-Green (GR)	Steel conforms to ASTM A1011 SS GR 33, E-Coat finish
Perma-Gold (ZD)	Steel conforms to ASTM A1011 SS GR 33, Finish conforms to ASTM B633, Type II SC3
Plain (PL)	Conforms to ASTM A1011 SS GR 33
Special Metals	
Stainless Steel, Type 304 (SS)	ASTM A240, Type 304 *
Stainless Steel, Type 316 (ST)	ASTM A240, Type 316 *
Aluminum (AL)	ASTM B209 (Type 1100F or Type 5052-H32) *

* These materials have different physical properties and performance characteristics. [Click here](#) to contact Atkore for design support.

1 5/8" Series Channel Nuts

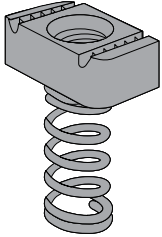
[Click brand for more product info](#) ↓

P1006 THRU P1010 - Channel Nuts w/Spring (1 5/8" Series)

[Unistrut](#)

PS RS - Channel Nut with Spring

[Power-Strut](#)



Unistrut Part Number	Power-Strut Part Number	Power-Strut Catalog Number	Use With	Thread Size	Finish	Product Weight per Piece (lb)
P1006-0832EG	—	—	P1000, P1100, P2000, P3000, P1001, P1101, P2001, P3001	#8-32	EG	0.07
P1006-1024EG	—	—	P1000, P1100, P2000, P3000, P1001, P1101, P2001, P3001	#10-24	EG	0.07
P1006-1024SS	—	—	P1000, P1100, P2000, P3000, P1001, P1101, P2001, P3001	#10-24	SS	0.07
P1006-1420EG	—	—	P1000, P1100, P2000, P3000, P1001, P1101, P2001, P3001	1/4"-20	EG	0.07
P1006-1420HG	—	—	P1000, P1100, P2000, P3000, P1001, P1101, P2001, P3001	1/4"-20	HG	0.08
P1006-1420SS	—	—	P1000, P1100, P2000, P3000, P1001, P1101, P2001, P3001	1/4"-20	SS	0.07
—	726600	PS RS	PS 200, PS 210, PS 300	1/4"-20	AL	0.02
—	716261	PS RS	PS 200, PS 210, PS 300	1/4"-20	EG	0.07
P1006M6 EG	—	—	P1000, P1100, P2000, P3000, P1001, P1101, P2001, P3001	M6	EG	0.07
—	725840	PS RS	PS 200, PS 210, PS 300	1/4"-20	ST	0.07
P1006U1420SS	—	—	P1000, P1100, P2000, P3000, P1001, P1101, P2001, P3001	1/4"-20	SS	0.07
P1007 EG	—	—	P1000, P1100, P2000, P3000, P1001, P1101, P2001, P3001	5/16"-18	EG	0.06
—	716271	PS RS	PS 200, PS 210, PS 300	5/16"-18	EG	0.07
P1007 SS	—	—	P1000, P1100, P2000, P3000, P1001, P1101, P2001, P3001	5/16"-18	SS	0.06
P1007M8 EG	—	—	P1000, P1100, P2000, P3000, P1001, P1101, P2001, P3001	M8	EG	0.07
P1008 DF	—	—	P1000, P1100, P2000, P3000, P1001, P1101, P2001, P3001	3/8"-16	DF	0.11
P1008 EG	—	—	P1000, P1100, P2000, P3000, P1001, P1101, P2001, P3001	3/8"-16	EG	0.10
P1008 HG	—	—	P1000, P1100, P2000, P3000, P1001, P1101, P2001, P3001	3/8"-16	HG	0.11
P1008 SS	—	—	P1000, P1100, P2000, P3000, P1001, P1101, P2001, P3001	3/8"-16	SS	0.11
—	716281	PS RS	PS 200, PS 210, PS 300	3/8"-16	EG	0.10
—	725860	PS RS	PS 200, PS 210, PS 300	3/8"-16	ST	0.10
P1008M10 EG	—	—	P1000, P1100, P2000, P3000, P1001, P1101, P2001, P3001	M10	EG	0.10
P1008USS	—	—	P1000, P1100, P2000, P3000, P1001, P1101, P2001, P3001	3/8"-16	SS	0.10

1 5/8" Series Channel Nuts

P1006 THRU P1010 - Channel Nuts w/Spring (1 5/8" Series)

[Click brand for more product info](#) ↓

[Unistrut](#)

PS RS - Channel Nut with Spring

[Power-Strut](#)

Unistrut Part Number	Power-Strut Part Number	Power-Strut Catalog Number	Use With	Thread Size	Finish	Product Weight per Piece (lb)
P1009 EG	—	—	P1000, P1100, P2000, P3000, P1001, P1101, P2001, P3001	7/16"-14	EG	0.09
P1010 EG	—	—	P1000, P1100, P2000, P3000, P1001, P1101, P2001, P3001	1/2"-13	EG	0.12
—	716291	PS RS	PS 200, PS 210, PS 300	1/2"-13	EG	0.12
P1010 HG	—	—	P1000, P1100, P2000, P3000, P1001, P1101, P2001, P3001	1/2"-13	HG	0.13
P1010 SS	—	—	P1000, P1100, P2000, P3000, P1001, P1101, P2001, P3001	1/2"-13	SS	0.13
—	725880	PS RS	PS 200, PS 210, PS 300	1/2"-13	ST	0.14
P1010M12 EG	—	—	P1000, P1100, P2000, P3000, P1001, P1101, P2001, P3001	M12	EG	0.13
P1010USS	—	—	P1000, P1100, P2000, P3000, P1001, P1101, P2001, P3001	1/2"-13	SS	0.11
—	716301	PS RS	PS 200, PS 210, PS 300	5/8"-11	EG	0.12

1 5/8" Series Channel Nuts

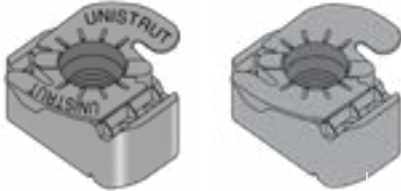
P1006T THRU P4010T - Top Retainer Nut (1 5/8" Series)

[Click brand for more product info](#) ↓

[Unistrut](#)

PS TG - Top Retainer Nut for Channels

[Power-Strut](#)



Unistrut Part Number	Power-Strut Part Number	Power-Strut Catalog Number	Use With	Thread Size	Finish	Product Weight per Piece (lb)
P1006T1420EG	—	—	Any 1 5/8" Channel	1/4"-20	EG	0.07
P1006TIM1420EG	—	—	Any 1 5/8" Channel	1/4"-20	EG	0.07
P1006TUS1420EG	—	—	Any 1 5/8" Channel	1/4"-20	EG	0.07
—	713845	PS TG	Any Channel	1/4"-20	EG	0.07
—	193196	PS TG	Any Channel	1/4"-20 US	EG	0.07
—	193325	PS TG	Any Channel	1/4"-20 IM	EG	0.07
P1008T EG	—	—	Any 1 5/8" Channel	3/8"-16	EG	0.10
P1008TIM EG	—	—	Any 1 5/8" Channel	3/8"-16	EG	0.10
P1008TUS EG	—	—	Any 1 5/8" Channel	3/8"-16	EG	0.10
P1008TU SS	—	—	Any 1 5/8" Channel	3/8"-16	SS	0.10
—	713846	PS TG	Any Channel	3/8"-16	EG	0.10
—	193326	PS TG	Any Channel	3/8"-16 US	EG	0.10
—	193395	PS TG	Any Channel	3/8"-16 IM	EG	0.10
P1010TUS EG	—	—	Any 1 5/8" Channel Except P3300, P4000, P4400, P4100	1/2"-13	EG	0.15
—	193396	PS TG	Any Channel Except PS 400, PS 500, PS 520 and PS 560	1/2"-13 US	EG	0.12
—	193327	PS TG	Any Channel Except PS 400, PS 500, PS 520 and PS 560	1/2"-13 IM	EG	0.12
P4010T EG	—	—	P3300, P4100	1/2"-13	EG	0.09

P1012S THRU P1024S - Channel Nuts w/Spring (1-5/8" Series)

[Click brand for more product info](#) ↓

[Unistrut](#)



Part Number	Use With	Thread Size	Finish	Product Weight per Piece (lb)
P1012S EG	P1000, P1100, P2000, P3000	5/8" - 11	EG	0.21

1 5/8" Series Channel Nuts

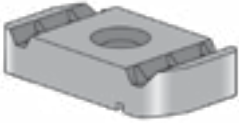
P3006 THRU P3013 - Channel Nuts w/o Spring (1 5/8" Series)

[Click brand for more product info](#) ↓

[Unistrut](#)

PS NS - Channel Nut without Spring

[Power-Strut](#)



Unistrut Part Number	Power-Strut Part Number	Power-Strut Catalog Number	Use With	Thread Size	Finish	Product Weight per Piece (lb)
P3006-1024EG	—	—	Any Channel	#10-24	EG	0.06
P3006-1420EG	—	—	Any 1 5/8" Channel	1/4"-20	EG	0.06
P3008 EG	—	—	Any 1 5/8" Channel	3/8"-16	EG	0.09
—	715981	PS NS	PS 100, PS 150, PS 200, PS 210, PS 300	3/8"-16	EG	0.09
P3010 EG	—	—	Any 1 5/8" Channel Except P3300, P4000, P4400, P4100	1/2"-13	EG	0.11
P3010 HG	—	—	Any 1 5/8" Channel Except P3300, P4000, P4400, P4100	1/2"-13	HG	0.11
P3013 EG	—	—	P3300, P4000, P4400, P4100	1/2"-13	EG	0.08

P4006 THRU P4010 - Channel Nuts w/Spring (1 5/8" Series)

[Click brand for more product info](#) ↓

[Unistrut](#)



Unistrut Part Number	Power-Strut Part Number	Power-Strut Catalog Number	Use With	Thread Size	Finish	Product Weight per Piece (lb)
—	728651	PS SS	PS 400, PS 500, PS 520, PS 560	1/4"-20	EG	0.06
—	728661	PS SS	PS 400, PS 500, PS 520, PS 560	3/8"-16	EG	0.08
P4006-1420EG	—	—	P3300, P4100	1/4"-20	EG	0.07
P4006U1420SS	—	—	P3300, P4100	1/4"-20	SS	0.07
P4007M8 EG	—	—	P3300, P4000, P4100, P4400, P4520, P3301, P4001, P4101, P4401, P4521	M8	EG	0.06
P4008 EG	—	—	P3300, P4000, P4100, P4400, P4520, P3301, P4001, P4101, P4401, P4521	3/8"-16	EG	0.09
P4008 SS	—	—	P3300, P4000, P4100, P4400, P4520, P3301, P4001, P4101, P4401, P4521	3/8"-16	SS	0.10
P4010 EG	—	—	P3300, P4000, P4100, P4400, P4520, P3301, P4001, P4101, P4401, P4521	1/2"-13	EG	0.08

1 5/8" Series Channel Nuts

P5506 THRU P5510 - Channel Nuts w/Spring (1 5/8" Series)

[Click brand for more product info](#) ↓

[Unistrut](#)



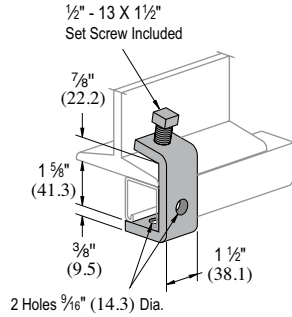
Part Number	Use With	Thread Size	Finish	Product Weight per Piece (lb)
P5510 EG	P5000, P5500	1/2" -13	EG	0.12

Beam Clamps

[Click brand for more product info](#) ↓

[Unistrut](#)

P1271S - Beam Clamp

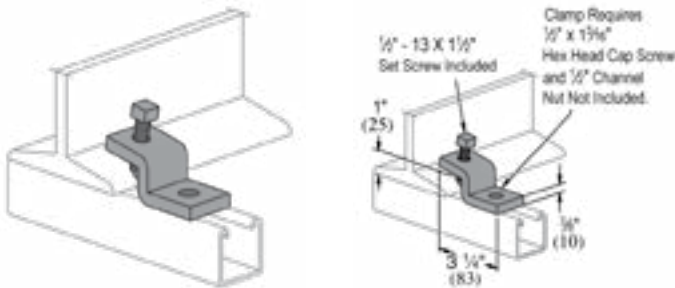


Part Number	Use With	Finish	Product Weight per Piece (lb)
P1271S EG	P1000, P1100	EG	0.95

P1379S - Beam Clamp

[Click brand for more product info](#) ↓

[Unistrut](#)



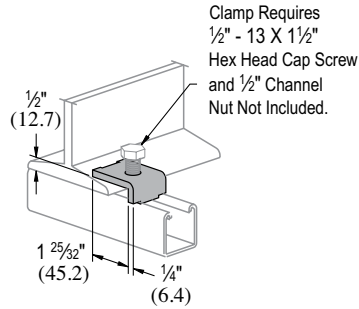
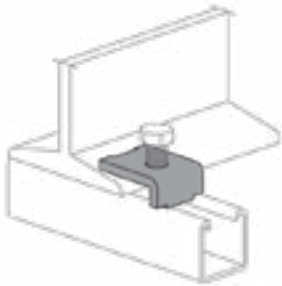
Part Number	Finish	Product Weight per Piece (lb)
P1379S EG	EG	0.75

Beam Clamps

[Click brand for more product info](#) ↓

P1386 - Beam Clamp

[Unistrut](#)

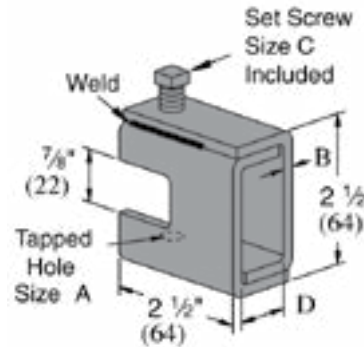


Unistrut Part Number	Power-Strut Part Number	Power-Strut Catalog Number	Finish	Product Weight per Piece (lb)
P1386 EG	—	—	EG	0.27
P1386 HG	—	—	HG	0.28

[Click brand for more product info](#) ↓

P1648S THRU P1653S - Beam Clamp

[Unistrut](#)



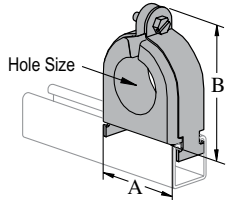
Part Number	Finish	Product Weight per Piece (lb)
P1648S EG	EG	0.67
P1650S EG	EG	1.00
P1651S HG	HG	1.30
P1653S EG	EG	1.60

Beam Clamps

Click brand for more product info ↓

Power-Strut
Unistrut

P1787 THRU P1795 Porce-A-Clamp™



- Patents Pending
- Strap Material: Electro-galvanized Steel (EG) or Stainless Steel (SS)
- Use With: All 1½" channel

Porce-A-Clamp™

- Non-Breakable TPE Material
- U.V. Resistant
- U.L. Listed
- Optional Stainless Steel Clamps
- Tapered Flange to Protect Cable
- Dielectric Strength 640 Volts Per Mil
- One Piece Insulator
- Replaces Porcelain & Maple Cable Clamp
- For use in accordance with National Electrical Code ANSI/NFPA 70
- Includes Pipe Strap
- Temperature Rating -50°F to +275°F (-45°C to +135°C)

Part Number	Hole Size		A	B	Finish	Product Weight per Piece (lb)
	(in)	(mm)	(in)	(in)		
P1789 EV	1¼	32	2.36	2.86	EV	0.58
P1789A EV	1⅜	35	2.36	2.86	EV	0.58
P1789B EV	1½	38	2.36	2.86	EV	0.58
P1789C EV	1⅝	41	2.36	2.86	EV	0.58
P1791 EV	2¼	57	3.36	4.05	EV	0.90
P1791A EV	2⅜	60	3.36	4.05	EV	0.90
P1791B EV	2½	64	3.36	4.05	EV	0.90

Beam Clamps

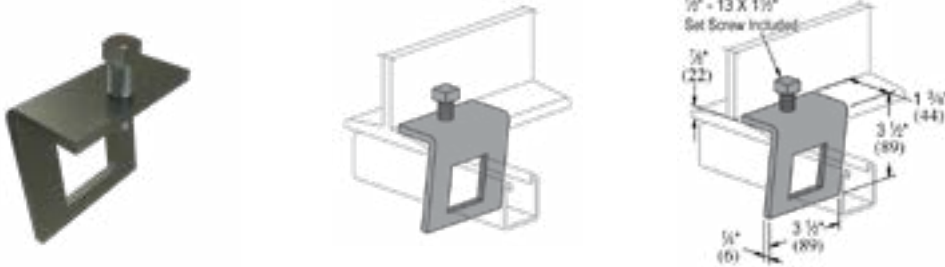
[Click brand for more product info](#) ↓

P1796S - Window Beam Clamp

[Unistrut](#)

PS 855 - Window Beam Clamp

[Power-Strut](#)

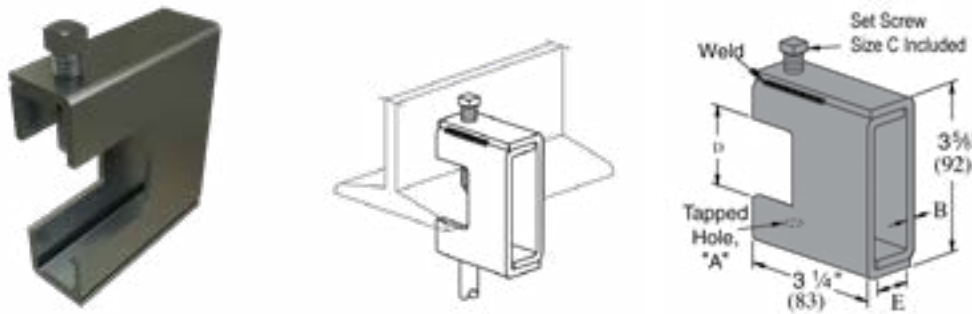


Unistrut Part Number	Power-Strut Part Number	Power-Strut Catalog Number	Use With	Finish	Product Weight per Piece (lb)
—	750111	PS 855 1 EG	P1000, P1101, P4101	EG	1.07
—	750112	PS 855 1 HG	P1000, P1101, P4101	HG	1.07
P1796S EG	—	—	P1000, P1101, P4101	EG	1.03
P1796S HG	—	—	P1000, P1101, P4101	HG	1.09
P1796S SS	—	—	P1000, P1101, P4101	SS	1.20

[Click brand for more product info](#) ↓

P2398S THRU P2405S - Beam Clamp (1-5/8" Series)

[Unistrut](#)



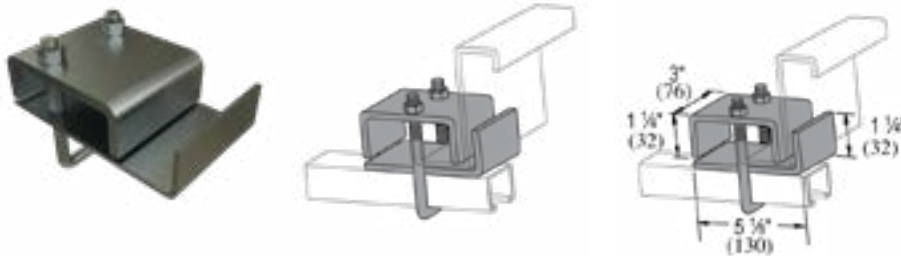
Part Number	Rod Size	Finish	Product Weight per Piece (lb)
P2403S EG	1/2" - 13	EG	2.01

Beam Clamps

[Click brand for more product info](#) ↓

P2784 - Purlin Beam Clamp

[Unistrut](#)



Part Number	Use With	Nominal Pipe Size	Finish	Product Weight per Piece (lb)
P2784-1 EG	P1000, P1100, P2000	1-5/8" Channel	EG	1.75

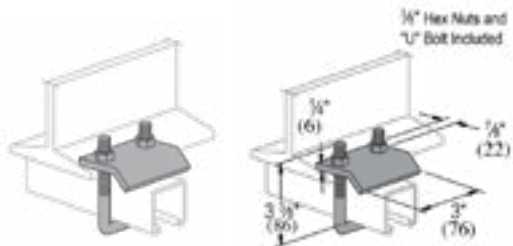
[Click brand for more product info](#) ↓

P2785 - Beam Clamp

[Unistrut](#)

PS 2651 - Beam Clamp

[Power-Strut](#)



Design Load Each 1000 Lbs (4.45kN)
 Use in Pairs Only
 Beam flange width up to 3/4" (19.1 mm)
 U-Bolt and Hex Nuts included

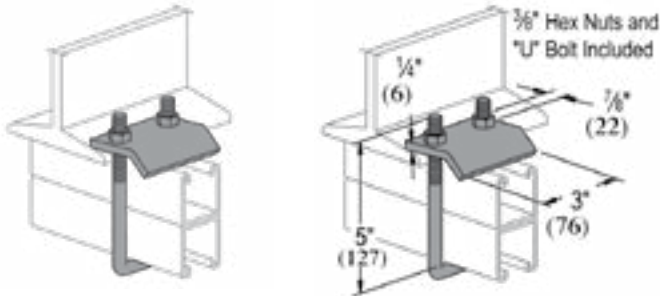
Unistrut Part Number	Power-Strut Part Number	Power-Strut Catalog Number	Power-Strut Code	Use With	Finish	Product Weight per Piece (lb)
P2785 EG	—	—	—	P1000, P1100, P2000, P3000, P3300, P3301, P4000, P4001, P4100, P4101	EG	0.83
—	715501	PS 2651	T1	PS 200, PS 210, PS 300, PS 400, PS 500, PS 520	EG	0.83
—	715502	PS 6251	T1	PS 200, PS 210, PS 300, PS 400, PS 500, PS 520	HG	0.80
—	715503	PS 6251	T1	PS 200, PS 210, PS 300, PS 400, PS 500, PS 520	SS	0.80
P2785 HG	—	—	—	P1000, P1100, P2000, P3000, P3300, P3301, P4000, P4001, P4100, P4101	HG	0.88
—	715511	PS 2651	T2	PS 100, PS 150, PS 200 2T3	EG	0.92
P2785 SS	—	—	—	P1000, P1100, P2000, P3000, P3300, P3301, P4000, P4001, P4100, P4101	SS	0.83
P2785 ST	—	—	—	P1000, P1100, P3000, P3300, P3301, P4000, P4001, P4100, P4101	ST	0.83

Beam Clamps

[Click brand for more product info](#) ↓

P2786 - Beam Clamp

[Unistrut](#)

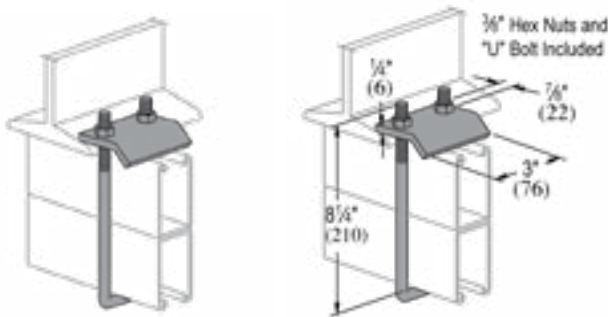


Part Number	Use With	Finish	Product Weight per Piece (lb)
P2786 EG	P1001, P1101, P2001, P3001, P5000, P5500	EG	0.92
P2786 HG	P1001, P1101, P2001, P3001, P5000, P5500	HG	0.98

[Click brand for more product info](#) ↓

P2787 - Beam Clamp

[Unistrut](#)



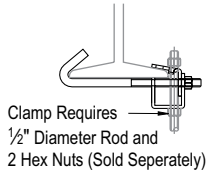
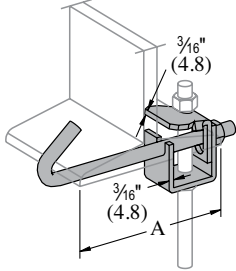
Part Number	Finish	Product Weight per Piece (lb)
P2787 EG	EG	0.98
P2787 HG	HG	1.05

Beam Clamps

[Click brand for more product info](#) ↓

[Power-Strut](#)
[Unistrut](#)

P2824 - Beam Clamp

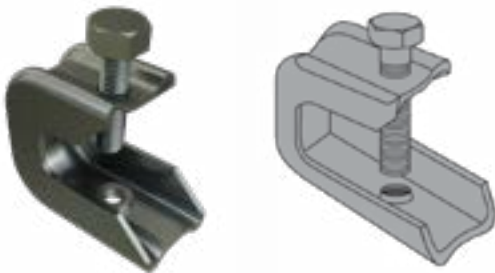


Part Number	"A"		Finish	Product Weight per Piece (lb)
	(in)	(mm)		
P2824-9 EG	5½ - 9	139.7 - 228.6	EG	1.25
P2824-12 EG	8½ - 12	215.9 - 304.8	EG	1.71

P2893 - Beam Clamp

[Click brand for more product info](#) ↓

[Unistrut](#)



Part Number	Finish	Product Weight per Piece (lb)
P2893 EG	EG	0.14

Beam Clamps

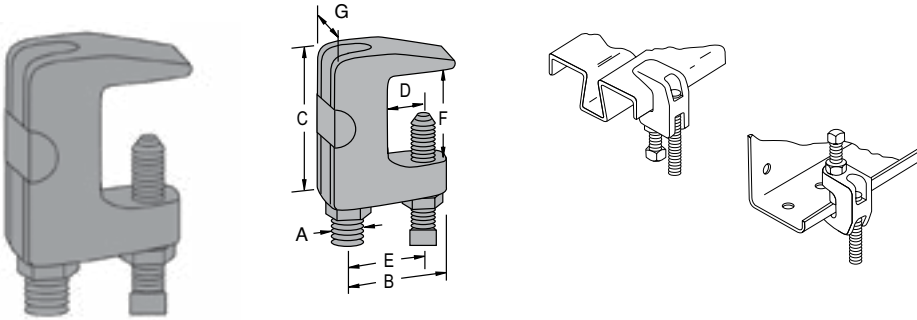
P2898 - Universal Beam Clamp

PS 93 - Universal Beam Clamp

[Click brand for more product info](#) ↓

[Unistrut](#)

[Power-Strut](#)

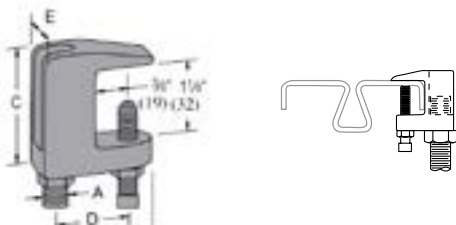


Unistrut Part Number	Power-Strut Part Number	Power-Strut Catalog Number	A		B		C		D		E		F		G		Finish	Product Weight per Piece (lb)
			(in)	(mm)	(in)	(mm)	(in)	(mm)	(in)	(mm)	(in)	(mm)	(in)	(mm)				
P2898-37 EG	—	—	3/8	1	25	1 1/2	38	1/2	13	1	25	3/4	19	7/8	22	EG	0.33	
—	210901	PS 93	1/2	1	25	1 1/2	38	1/2	13	1	25	3/4	19	7/8	22	EG	0.33	
P2898-50 EG	—	—	1/2	1 5/16	25	1 1/2	38	1/2	13	1	25	3/4	19	7/8	22	EG	0.33	

P2899 - Wide Throat Beam Clamp

[Click brand for more product info](#) ↓

[Unistrut](#)



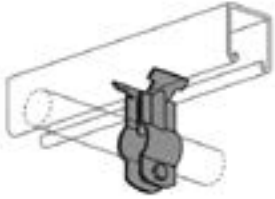
- Maximum temperature of 450° F (232° C)

Part Number	A		B		C		D		E		Finish	Product Weight per Piece (lb)
	(in)	(mm)	(in)	(mm)	(in)	(mm)	(in)	(mm)				
P2899-37 EG	3/8	1 1/8	41	2	51	1	25	7/8	22	EG	0.28	

Beam Clamps

PS 3412 THRU PS 3417 - Offset Beam Clamps

Click brand for more product info ↓
Power-Strut



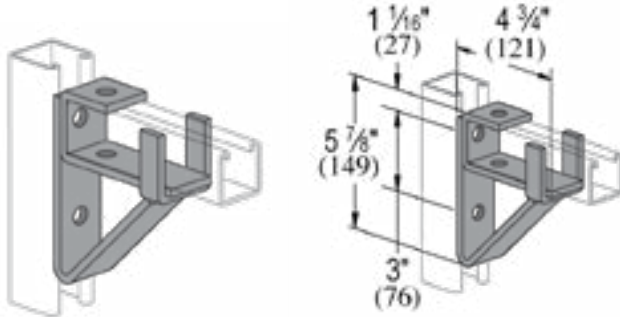
Part Number	Catalog Number	Size (in)	Finish	Product Weight per Piece (lb)
874878	PS 3412 EG	¾	EG	—
877860	PS 3413 EG	1	EG	—
877861	PS 3414 EG	1 ¼	EG	—
874877	PS 3417 EG	2	EG	—

Brackets & Braces

[Click brand for more product info](#) ↓

P1075 - Bracket

[Unistrut](#)

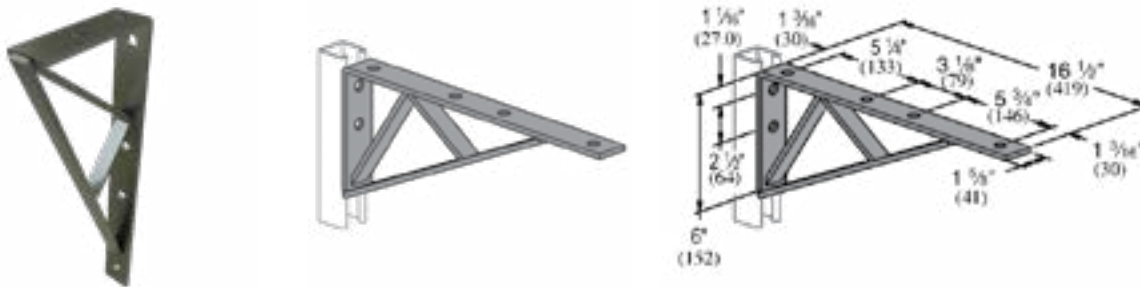


Part Number	Finish	Product Weight per Piece (lb)
P1075 EG	EG	2.29
P1075 HG	HG	2.42

[Click brand for more product info](#) ↓

P1777 - 16-1/2" Bracket

[Unistrut](#)



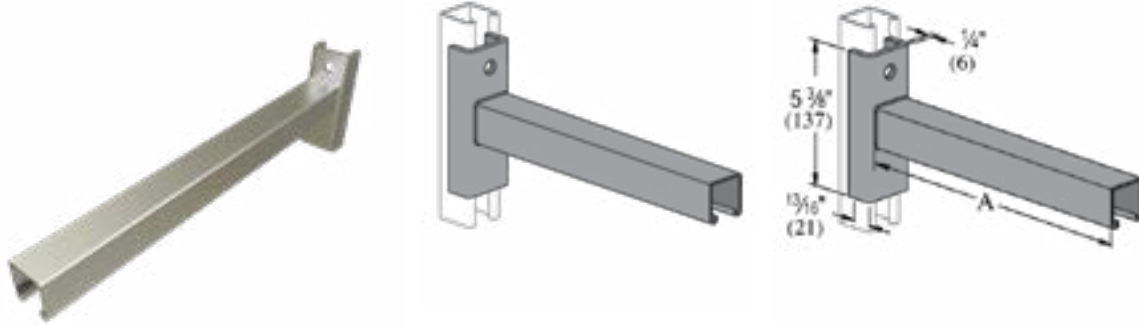
Part Number	Finish	Product Weight per Piece (lb)
P1777 EG	EG	3.85

Brackets & Braces

P2233A & P2234A - 18" - 24" Bracket (slot down) (1-5/8" Series)

[Click brand for more product info](#)

[Unistrut](#)



Part Number	Finish	Product Weight per Piece (lb)
P2234A HG	HG	5.61

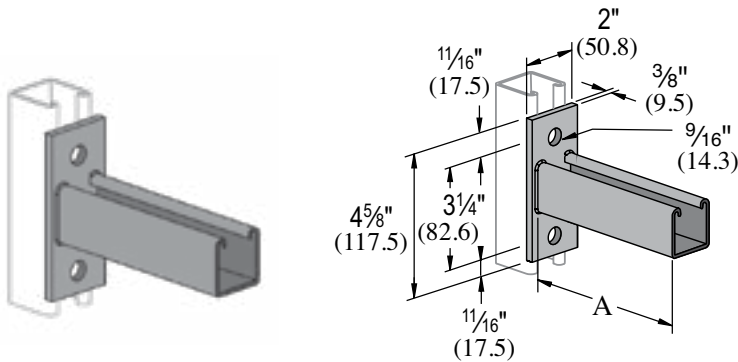
P2944 THRU P2947 - Bracket (slot up)

[Click brand for more product info](#)

[Unistrut](#)

PS 651 - Bracket (slot up)

[Power-Strut](#)



Unistrut Part Number	Power-Strut Part Number	Power-Strut Catalog Number	"A"		Finish	Product Weight per Piece (lb)
			(in)	(mm)		
P2944 HG	—	—	6	152	HG	1.41
P2944 SS	—	—	6	152	SS	1.32
—	719501	PS 651 12 EG	12	305	EG	2.93
P2945 HG	—	—	12	305	HG	3.11
P2946 HG	—	—	12	305	HG	2.93
—	719521	PS 651 18 EG	18	457	EG	4.01
P2947 HG	—	—	24	610	HG	5.09
P2947 SS	—	—	24	610	SS	5.09

Brackets & Braces

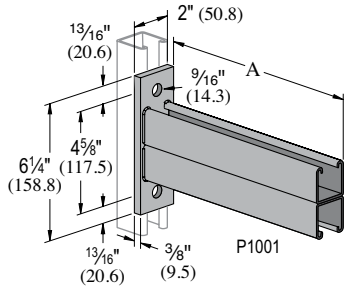
[Click brand for more product info](#) ↓

P2542 THRU P2546 Brackets

[Unistrut](#)

PS 809 - 12" THRU 36" Bracket (Slots Up and Down)

[Power-Strut](#)

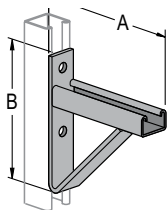


Unistrut Part Number	Power-Strut Part Number	Power-Strut Catalog Number	"A"		Vertical Channel		Finish	Product Weight per Piece (lb)
			(in)	(mm)	Part Number	Gauge		
—	719581	PS 809 12 EG	12	304.8	P1000 P1100 P2000	12 14 16	EG	5.05
—	719591	PS 809 18 EG	18	457.2	P1000 P1100 P2000	12 14 16	EG	7.10
P2543 HG	—	—	18	457.2	P1000 P1100 P2000	12 14 16	HG	7.34
P2545 HG	—	—	30	762.0	P1000 P1100 P2000	12 14 16	HG	11.37
P2545 SS	—	—	30	762.0	P1000 P1100 P2000	12 14 16	SS	10.72
P2546 HG	—	—	36	914.4	P1000 P1100 P2000	12 14 16	HG	13.38

[Click brand for more product info](#) ↓

P2547 THRU P2551 - Cable Tray Bracket

[Power-Strut](#)
[Unistrut](#)



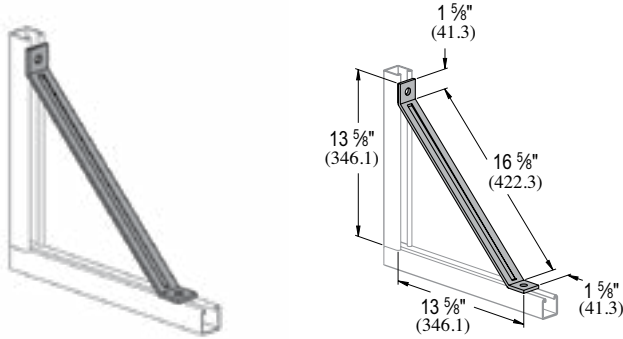
Part Number	Stamped Ident. No.		"B"		Finish	Product Weight per Piece (lb)
	(in)	(mm)	(in)	(mm)		
P2547 HG	15	381.0	8 3/4	222	HG	4.45

Brackets & Braces

[Click brand for more product info](#) ↓

P2452 - Knee Brace

[Unistrut](#)

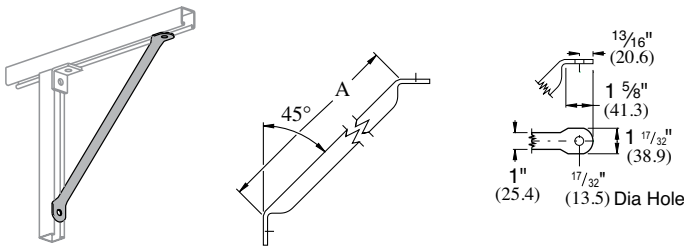


Part Number	Finish	Product Weight per Piece (lb)
P2452 EG	EG	2.27

P2458 - 18" to 36" Tubular Knee Braces

[Click brand for more product info](#) ↓

[Power-Strut](#)
[Unistrut](#)



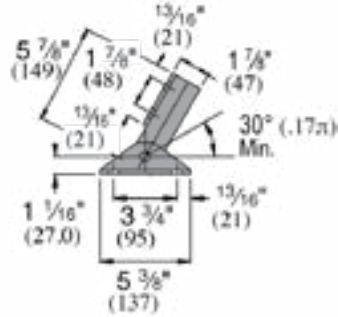
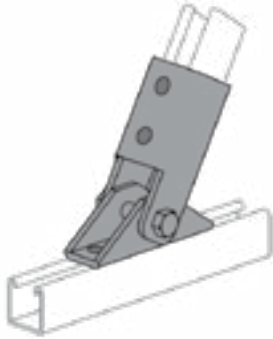
Part Number	"A"		Finish	Product Weight per Piece (lb)
	(in)	(mm)		
P2458-18 GR	18	457.2	GR	1.46

Brace Fittings

Click brand for more product info ↓

[Unistrut](#)

P2815 - Adjustable Brace Fitting



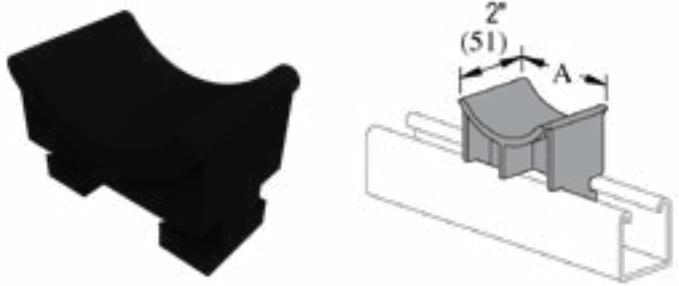
Part Number	Finish	Product Weight per Piece (lb)
P2815 EG	EG	3.07

Clamps & Saddles

Click brand for more product info ↓

P1753 & P1754 - Cable Saddle

[Unistrut](#)



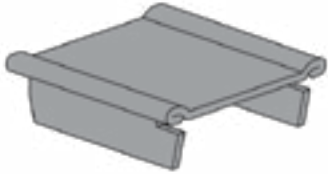
Part Number	Material	Product Weight per Piece (lb)
P1754 FG	FG	0.17

Closure Strips & End Caps

P1280 - End Cap for P1000

Click brand for more product info ↓

[Unistrut](#)



Part Number	Use With	Finish	Product Weight per Piece (lb)
P1280 EG	P1000	EG	0.11

P2407 THRU P3380 - End Cap (1 5/8" Series)

Click brand for more product info ↓

[Unistrut](#)



Part Number	Use With	Finish	Product Weight per Piece (lb)
P2407 EG	P1000, P3000, P3300	EG	0.10
P3280 EG	P1000, P3000, P3300	EG	0.06

Closure Strips & End Caps

[Click brand for more product info](#) ↓

P2859 - Frame Caps (1-5/8" Series)

[Unistrut](#)

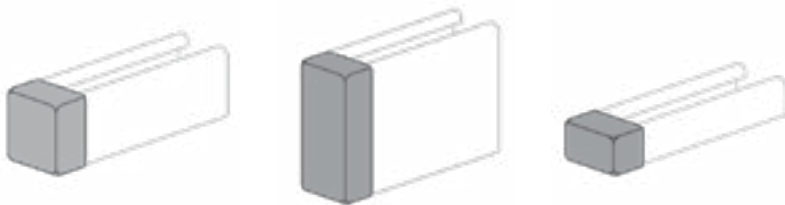


Part Number	Use With	Finish	Product Weight per Piece (lb)
P2859-10 BK	P1000, P1001, P3300, P5000, P5500	Black	0.03
P2859-10 GY	P1000, P1001, P3300, P5000, P5500	Grey	0.03
P2859-10 WH	P1000, P1001, P3300, P5000, P5500	White	0.03

[Click brand for more product info](#) ↓

P2860 - Plastic White End Caps (1 5/8" Series)

[Unistrut](#)



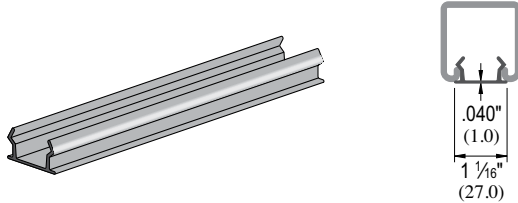
Part Number	Use With	Finish	Product Weight per Piece (lb)
P2860-10 VY	P1000, P1100, P2000, P9000	VY	0.034
P2860-33 VY	P3300	VY	0.025
P2860-50 VY	P5000, P1001	VY	0.050

Closure Strips & End Caps

[Click brand for more product info](#) ↓

P3184P - Plastic Closure Strip

[Unistrut](#)



Unistrut Part Number	Power-Strut Part Number	Power-Strut Catalog Number	Length (ft)	Finish	Product Weight per Foot (lb/ft)
P3184P 10GY	—	—	10	Grey	0.10

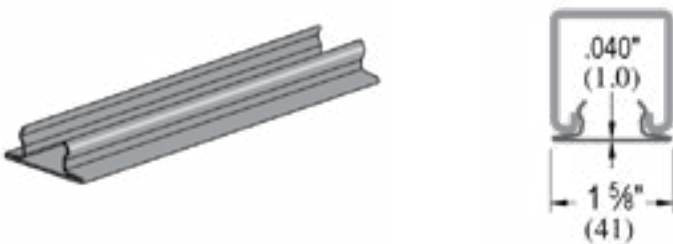
[Click brand for more product info](#) ↓

P3184 - 1 5/8" x .040" Closure Strip

[Unistrut](#)

PS 707 - 1 5/8" x .040" Closure Strip

[Power-Strut](#)



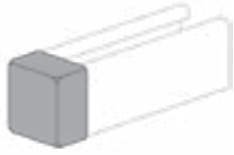
Unistrut Part Number	Power-Strut Part Number	Power-Strut Catalog Number	Length (ft)	Finish	Product Weight/Ft (lb/ft)
P3184 10PG	721324	PS 707	10	PG	0.47

Closure Strips & End Caps

Click brand for more product info ↓

[Power-Strut](#)

PS 6153 - Strut Safety End Cap



Part Number	Catalog Number	Use With	Color	Product Weight per 100 Pieces (lb)
710839	PS 6153 2 WHITE	PS 200, PS 210	White	2.8
710840	PS 6153 5 WHITE	PS 500, PS 520, PS 560	White	2.0
815620	PS 6153 1 RED	PS 100, PS 200 2T3	Red	5.0
815630	PS 6153 2 RED	PS 200, PS 210	Red	2.8

Concrete Inserts

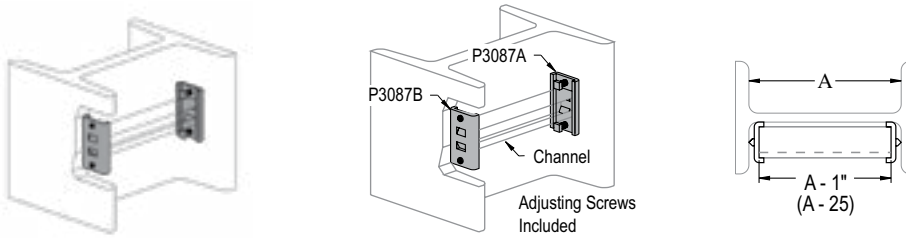
[Click brand for more product info](#) ↓

P3087 & P3088 - Column Insert

[Unistrut](#)

PS 2654 & PS 2654A - Column Insert

[Power-Strut](#)

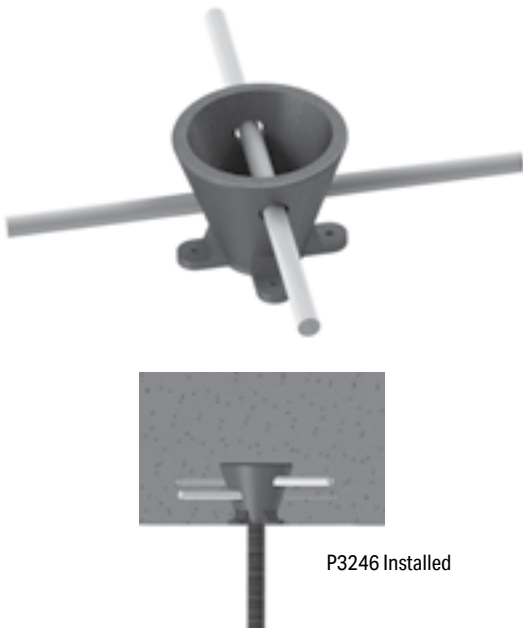


Unistrut Part Number	Power-Strut Part Number	Power-Strut Catalog Number	Finish	Product Weight per Piece (lb)
P3087 EG	715751	PS 2654 EG	EG	1.36

[Click brand for more product info](#) ↓

P3246 - Heavy Duty Concrete Inserts

[Unistrut](#)



P3246 Installed

- Up to 5,700 lbs. tension capacity in 3,000 psi concrete
- Sizes available to accept threaded rod from 3/4" to 1-1/2"
- Fiberglass rods to interface with the rebar or reinforcing rods, reducing the potential for a galvanic interaction
- 316 Stainless steel body with fiberglass rods to prevent corrosion
- Meets several industry and federal specifications, including: A-A-1192A (Type 18), WW-H-171-E (Type 18), ANSI/MSS SP-69 and MSS SP-58 (Type 18)

Part Number	Threaded Hole Size	Maximum Allowable Load (lb)		
		Vertical	Shearb	45° Pull
P3246-125 ST	1 1/4" - 7	5,700	5,700	6,000

Safety Factor of 5 in 3,000 psi concrete

^a Limited by Threaded Rod Safe Load in accordance with MSS-SP-58

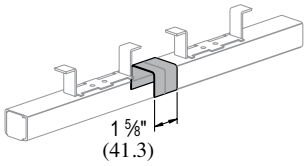
^b Limited by MSS-SP-58 Tension Safe Load multiplied by 0.6

Concrete Inserts

Click brand for more product info ↓

[Unistrut](#)

P3663, P4663 – Joint Covers



- Note: Joint cover for use with 1 5/8" wide standard Atkore inserts only

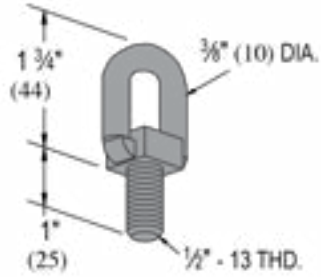
Part Number	Use with	Finish	Product Weight per Piece (lb)
P3663 EG	P3270	EG	0.10

Hangers

Click brand for more product info ↓

[Unistrut](#)

M2350 - Swivel Hangers



Part Number	Size (in)	Finish	Product Weight per Piece (lb)
M2350 EG	1/2	EG	0.20

Hardware

[Click brand for more product info](#) ↓

ATHR - Steel Threaded Rod

[Unistrut](#)



Part Number	Catalog Number	Thread Size	Length (ft)	Finish	Product Weight per Piece (lb)
866007	ATHR-T 1/4 10EG	1/4"x20	10	EG	1.3
866009	ATHR-T 3/8 10EG	3/8"x16	10	EG	3.0
866005	ATHR-T 1/2 10EG	1/2"x13	10	EG	5.3

[Click brand for more product info](#) ↓

HTHR - Steel Threaded Rod (1-5/8" Series)

[Unistrut](#)

PS 146 - Steel Threaded Rod

[Power-Strut](#)



Unistrut Part Number	Unistrut Catalog Number	Power-Strut Part Number	Power-Strut Catalog Number	Thread Size	Length (ft)	Finish	Product Weight per Foot (lb)
—	—	267281	PS 146 1/4 X 6' EG	1/4	6	EG	0.12
302154	HTHR025 10EG	267401	PS 146 1/4 X 10' EG	1/4	10	EG	0.12
302156	HTHR025 12EG	268701	PS 146 1/4 X 12' EG	1/4	12	EG	0.12
302163	HTHR037 06EG	267301	PS 146 3/8 X 6' EG	3/8	6	EG	0.29
302166	HTHR037 10EG	267421	PS 146 3/8 X 10' EG	3/8	10	EG	0.29
302169	HTHR037 12EG	268711	PS 146 3/8 X 12' EG	3/8	12	EG	0.29
—	—	267311	PS 146 1/2 X 6' EG	1/2	6	EG	0.53
302177	HTHR050 10EG	267431	PS 146 1/2 X 10' EG	1/2	10	EG	0.53
302180	HTHR050 12EG	268721	PS 146 1/2 X 12' EG	1/2	12	EG	0.53

Hardware

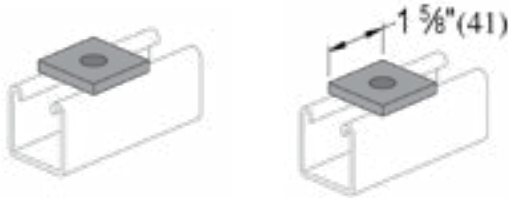
Click brand for more product info ↓

P1062, P1063, P1064, P1964, P2471 & P2490 - Square Washer (1-5/8" Series)

[Unistrut](#)

PS 619 - Square Washer

[Power-Strut](#)



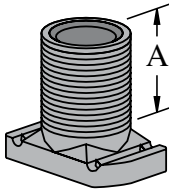
Unistrut Part Number	Power-Strut Part Number	Power-Strut Catalog Number	Rod Size (in)	Hole Diameter (in)	Finish	Product Weight per Piece (lb)
—	720881	PS 619	1/4	11/32	EG	0.180
P1062 DF	—	—	5/16	11/32	DF	0.190
P1062 EG	—	—	5/16	11/32	EG	0.180
P1062 HG	—	—	5/16	11/32	HG	0.190
P1062 SS	—	—	5/16	11/32	SS	0.180
P1063 EG	720891	PS 619	3/8	7/16	EG	0.180
P1063 HG	720892	PS 619	3/8	7/16	HG	0.190
P1063 SS	14203	PS 619	3/8	7/16	SS	0.170
P1064 EG	720901	PS 619	1/2	9/16	EG	0.170
P1064 HG	—	—	1/2	9/16	HG	0.180
P1064 SS	13669	PS 619	1/2	9/16	SS	0.170
P1064 ST	—	—	1/2	9/16	ST	0.170
P1964 EG	720911	PS 619	5/8	11/16	EG	0.160
P2471 EG	—	—	3/4	13/16	EG	0.150

Hardware

Click brand for more product info ↓

Power-Strut
Unistrut

P2540 - Wiring Stud Nut



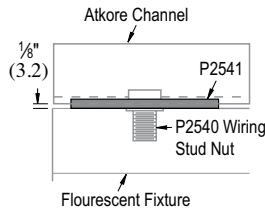
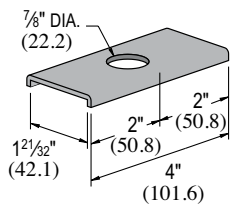
- Stamped Ident. No.
 - P2540 - 121961
 - P2540A - 121960
- Material: Sintered metal
- 1/2" American Standard Straight Pipe Thread
- Material: 12 gauge (2.7)
- Design Load 320 Lbs (1.42 kN)



Part Number	"A"	Finish	Product Weight per Piece (lb)
	(in)		
P2540 EG	15/64	EG	0.10

P2541 - Spacer Clevis

Power-Strut
Unistrut



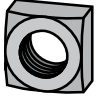
Part Number	Finish	Product Weight per Piece (lb)
P2541 EG	EG	0.24

Hardware

HSQN - Square Nuts

Click brand for more product info ↓

[Power-Strut](#)
[Unistrut](#)



Part Number	Size (in)	Finish	Product Weight per Piece (lb)
HSQN050 EG	1/2	EG	5.8

HLKW - Lock Washers

Click brand for more product info ↓

[Power-Strut](#)
[Unistrut](#)



Part Number	Size (in)	Finish	Product Weight per Piece (lb)
HLKW025 EG	1/4	EG	0.01
HLKW037 DF	3/8	DF	0.01
HLKW037 EG	3/8	EG	0.01
HLKW050 EG	1/2	EG	0.01

Hardware

P2378 THRU P2383 - Channel Stud Nuts

[Click brand for more product info](#) ↓

[Unistrut](#)



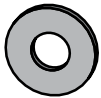
Part No.	Thread	"A" Stud	Finish	Product Weight per Piece (lb)
		(in)		
P2378-2 EG	1/4" - 20	1 1/4	EG	0.09
P2379-2 EG	5/16" - 18	1 1/4	EG	0.12
P2380-1 EG	3/8" - 16	1	EG	0.13
P2380-2 EG	3/8" - 16	1 1/4	EG	0.13
P2380-3 EG	3/8" - 16	1 1/2	EG	0.14
P2381-4 EG	1/2" - 13	1 1/2	EG	0.17

All Stud Nut grooves are serrated.

HFLW - Flat Washer

[Click brand for more product info](#) ↓

[Unistrut](#)



Part Number	Size	Finish	Product Weight per Piece (lb)
	(in)		
HFLW025 EG	1/4	EG	0.01
HFLW037 DF	3/8	DF	0.02
HFLW037 EG	3/8	EG	0.02
HFLW050 DF	1/2	DF	0.04
HFLW050 EG	1/2	EG	0.04
HFLW075 EG	3/4	EG	0.11

Hardware

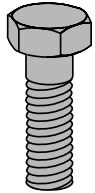
HHCS - Hex Head Screw

[Click brand for more product info](#) ↓

[Unistrut](#)

PS 6024 - Hex Head Screw

[Power-Strut](#)



Unistrut Part Number	Power-Strut Part Number	Power-Strut Catalog Number	Size	Finish	Product Weight per Piece (lb)
HHCS025075EG	811621	PS 6024 1/4 x 3/4 EG	1/4" x 3/4"	EG	0.013
HHCS025100EG	—	—	1/4" x 1"	EG	0.030
HHCS025150EG	—	—	1/4" x 1 1/2"	EG	0.026
HHCS031125EG	—	—	5/16" x 1 1/4"	EG	0.036
HHCS037075EG	—	—	3/8" x 3/4"	EG	0.040
HHCS037087EG	—	—	3/8" x 7/8"	EG	0.044
HHCS037100EG	811811	PS 6024 3/8 x 1 EG	3/8" x 1"	EG	0.045
HHCS037100SS	—	—	3/8" x 1"	SS	0.045
HHCS037125EG	—	—	3/8" x 1 1/4"	EG	0.053
HHCS037150DF	—	—	3/8" x 1 1/2"	DF	0.060
HHCS037150EG	—	—	3/8" x 1 1/2"	EG	0.060
HHCS050094EG	—	—	1/2" x 1 5/16"	EG	0.091
HHCS050119EG	—	—	1/2" x 1 3/16"	EG	0.102
—	811911	PS 6024 1/2 x 1 EG	1/2" x 1"	EG	0.090
HHCS050125EG	—	—	1/2" x 1 1/4"	EG	0.110
HHCS050150DF	—	—	1/2" x 1 1/2"	DF	0.116
HHCS050150EG	—	—	1/2" x 1 1/2"	EG	0.116

HHXN - Hex Nut

[Click brand for more product info](#) ↓

[Unistrut](#)



Part Number	Size	Finish	Product Weight per Piece (lb)
	(in)		
HHXN025 EG	1/4	EG	0.010
HHXN037 EG	3/8	EG	0.016
HHXN050 EG	1/2	EG	0.050
HHXN075 EG	3/4	EG	0.14

Hardware

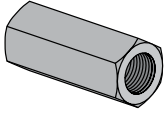
[Click brand for more product info](#) ↓

HRCN - Rod Coupler

[Unistrut](#)

PS 135 - Rod Coupler (1-5/8" Series)

[Power-Strut](#)



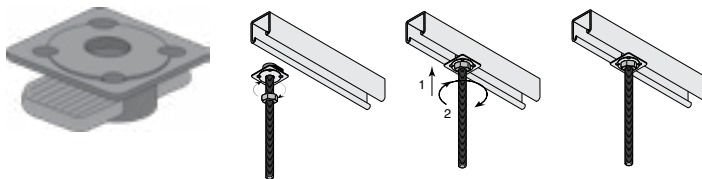
Unistrut Part Number	Power-Strut Part Number	Power-Strut Catalog Number	Size	Length	Finish	Product Weight per Piece (lb)
				(in)		
HRCN050 EG	184131	PS 135 1/2 EG	12" - 13	1 3/4	eg	0.10

[Click brand for more product info](#) ↓

K1062 THRU K1064 - Kwik Washer™

[Unistrut](#)
[Power-Strut](#)

Overhead installation with one hand.
Available in zinc plated and hot dip galvanized



Unistrut Part Number	Power-Strut Part Number	Power-Strut Catalog Number	Size	Load		Finish	Product Weight per Piece (lb)
			(in)	(lb)	(kN)		
K1062 EG	852976	PS KW 1/4 EG	1/4	250	1.11	EG	0.13
—	852977	PS KW 3/8 EG	3/8	610	2.71	EG	0.13
K1064 EG	—	—	1/2	1,130	5.03	EG	0.12

Hardware

P2485 - Cradle Clip

Click brand for more product info ↓

[Unistrut](#)



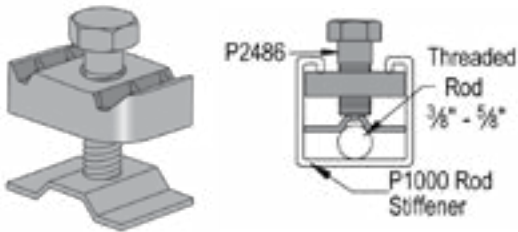
Seismic Rod Stiffener
 OPM-0295-13 Pre-Approved
 Use with P3008 & HHCS037100 (sold separately)

Part Number	Finish	Product Weight per Piece (lb)
P2485 EG	EG	0.03

P2486 - Seismic Rod Stiffener

Click brand for more product info ↓

[Unistrut](#)



OPM-0295-13 Pre-Approved

Part Number	Rod Size (in)	Finish	Product Weight per Piece (lb)
P2486 EG	3/8 thru 5/8 R	EG	0.16

Flat Plate Fittings

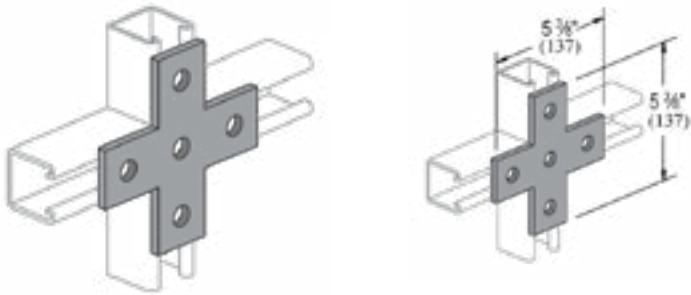
[Click brand for more product info](#) ↓

P1028 - 5 Hole, Flat Plate Fitting

[Unistrut](#)

PS 712 - 5 Hole, Flat Plate Fitting

[Power-Strut](#)



Unistrut Part Number	Power-Strut Part Number	Power-Strut Catalog Number	Finish	Product Weight per Piece (lb)
P1028 EG	750321	PS 712 EG	EG	1.05

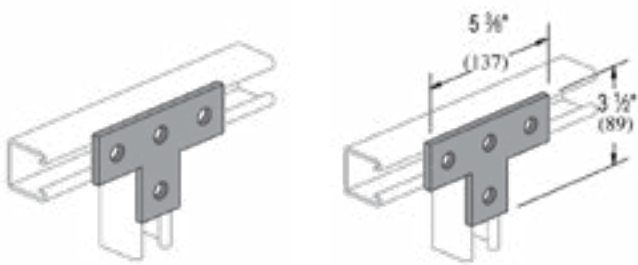
[Click brand for more product info](#) ↓

P1031 - 4 Hole, Flat Plate Fitting

[Unistrut](#)

PS 714 - 4 Hole, Flat Plate Fitting

[Power-Strut](#)



Unistrut Part Number	Power-Strut Part Number	Power-Strut Catalog Number	Finish	Product Weight per Piece (lb)
P1031 EG	750381	PS 714	EG	0.80
P1031 HG	—	—	HG	0.85
P1031 SS	—	—	SS	0.80

Flat Plate Fittings

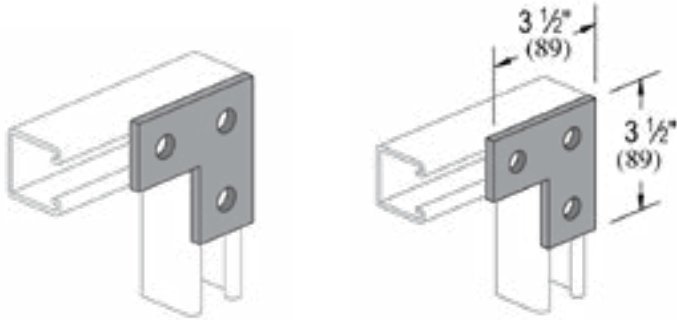
P1036 - 3 Hole, Flat Plate Fitting

[Click brand for more product info](#) ↓

[Unistrut](#)

PS 718 - 3 Hole, Flat Plate Fitting

[Power-Strut](#)



Unistrut Part Number	Power-Strut Part Number	Power-Strut Catalog Number	Finish	Product Weight per Piece (lb)
P1036 EG	750541	PS 718	EG	0.580
P1036 HG	—	—	HG	0.615
P1036 SS	—	—	SS	0.580

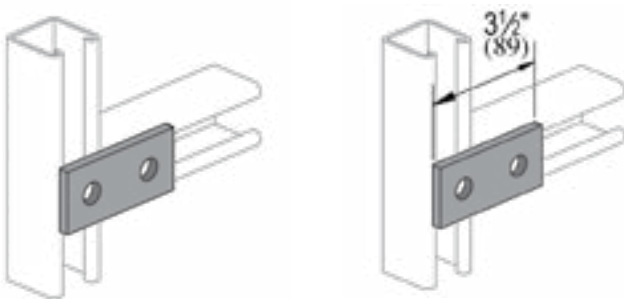
P1065 - 2 Hole, Flat Plate Fitting

[Click brand for more product info](#) ↓

[Unistrut](#)

PS 601 - 2 Hole, Flat Plate Fitting

[Power-Strut](#)



Unistrut Part Number	Power-Strut Part Number	Power-Strut Catalog Number	Finish	Product Weight per Piece (lb)
P1065 EG	720721	PS 601 EG	EG	0.380
P1065 HG	—	—	HG	0.403

Flat Plate Fittings

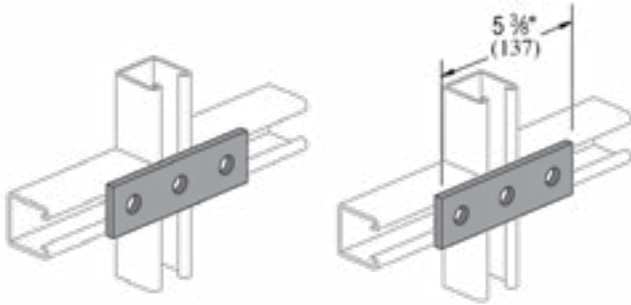
[Click brand for more product info](#) ↓

P1066 - 3 Hole, Flat Plate Fitting

[Unistrut](#)

PS 602 - 3 Hole, Flat Plate Fitting

[Power-Strut](#)



Unistrut Part Number	Power-Strut Part Number	Power-Strut Catalog Number	Finish	Product Weight per Piece (lb)
P1066 EG	720701	PS 602 EG	EG	0.56

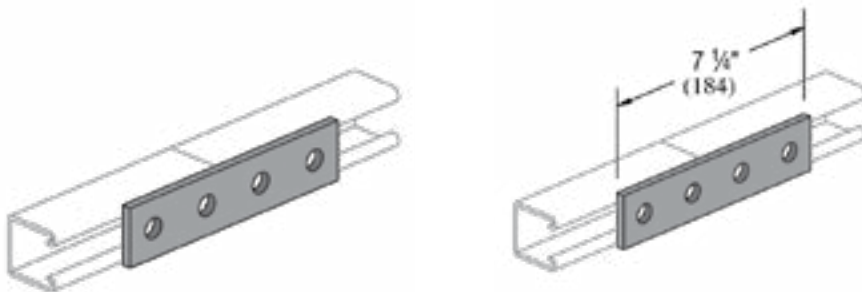
[Click brand for more product info](#) ↓

P1067 - 4 Hole, Flat Plate Fitting

[Unistrut](#)

PS 888 - 4 Hole, Flat Plate Fitting

[Power-Strut](#)



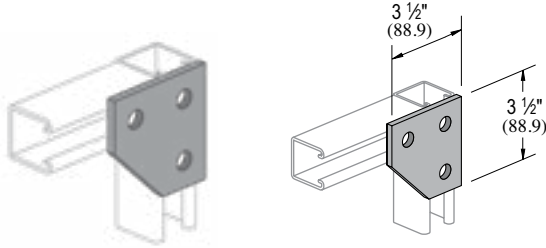
Unistrut Part Number	Power-Strut Part Number	Power-Strut Catalog Number	Finish	Product Weight per Piece (lb)
P1067 EG	719361	PS 888	EG	0.780
P1067 HG	—	—	HG	0.830

Flat Plate Fittings

P1334 - 3 Hole, Flat Plate Fitting

[Click brand for more product info](#) ↓

[Unistrut](#)

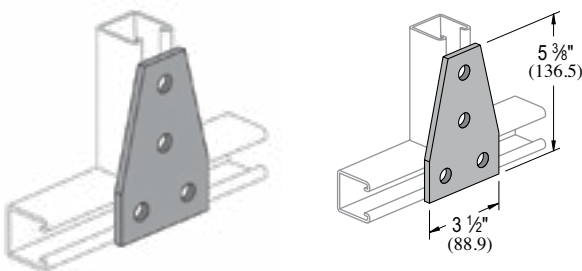


Part Number	Finish	Product Weight per Piece (lb)
P1334 EG	EG	0.7

P1358 - 4 Hole, Flat Plate Fitting

[Click brand for more product info](#) ↓

[Unistrut](#)



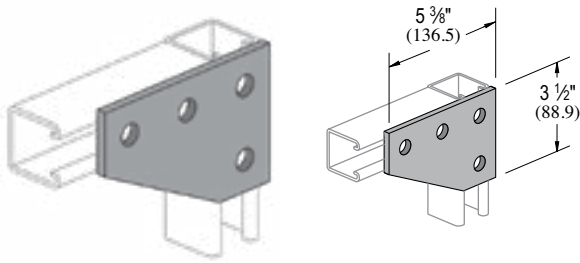
Part Number	Finish	Product Weight per Piece (lb)
P1358 EG	EG	1.05

Flat Plate Fittings

Click brand for more product info ↓

P1380 - 4 Hole, Flat Plate Fitting

[Unistrut](#)



Part Number	Finish	Product Weight per Piece (lb)
P1380 EG	EG	1.05

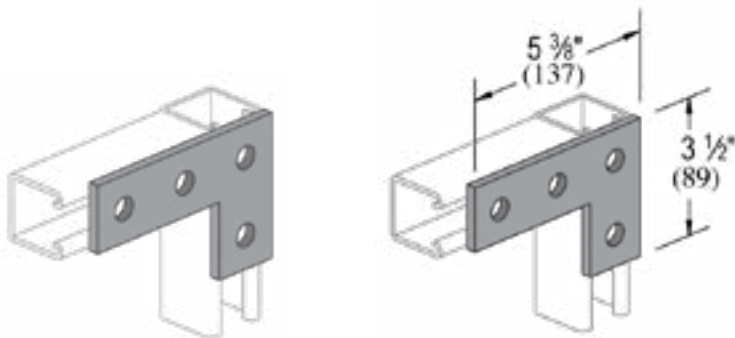
Click brand for more product info ↓

P1380A - 4 Hole, Flat Plate Fitting

[Unistrut](#)

PS 719 - 4 Hole, Flat Plate Fitting

[Power-Strut](#)



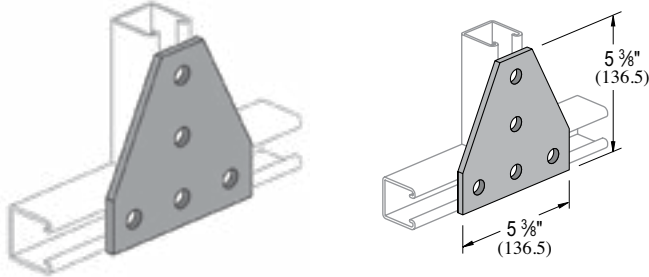
Unistrut Part Number	Power-Strut Part Number	Power-Strut Catalog Number	Finish	Product Weight per Piece (lb)
P1380A EG	—	—	EG	0.80
—	697305	PS 719 EG	EG	0.58
P1380A HG	—	—	HG	0.85
P1380A SS	—	—	SS	0.80
—	738906	PS 719 SS	SS	0.58

Flat Plate Fittings

[Click brand for more product info](#) ↓

P1726 - 5 Hole, Flat Plate Fitting

[Unistrut](#)

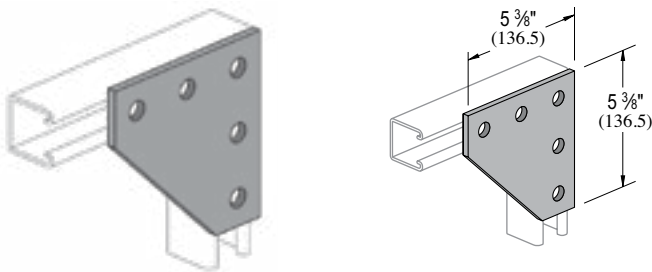


Part Number	Finish	Product Weight per Piece (lb)
P1726 EG	EG	1.48

[Click brand for more product info](#) ↓

P1873 - 5 Hole, Flat Plate Fitting

[Unistrut](#)



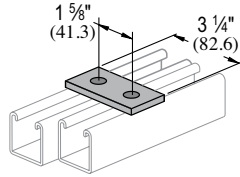
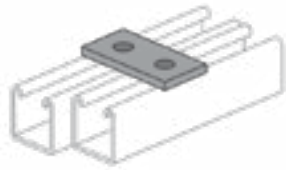
Part Number	Finish	Product Weight per Piece (lb)
P1873 EG	EG	1.50

Flat Plate Fittings

Click brand for more product info ↓

P1924 - 2 Hole, Flat Plate Fitting

[Unistrut](#)

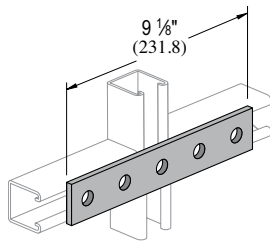
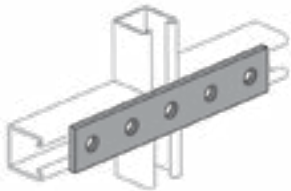


Part Number	Finish	Product Weight per Piece (lb)
P1924 EG	EG	0.35

P1941 - 5 Hole, Flat Plate Fitting

Click brand for more product info ↓

[Unistrut](#)



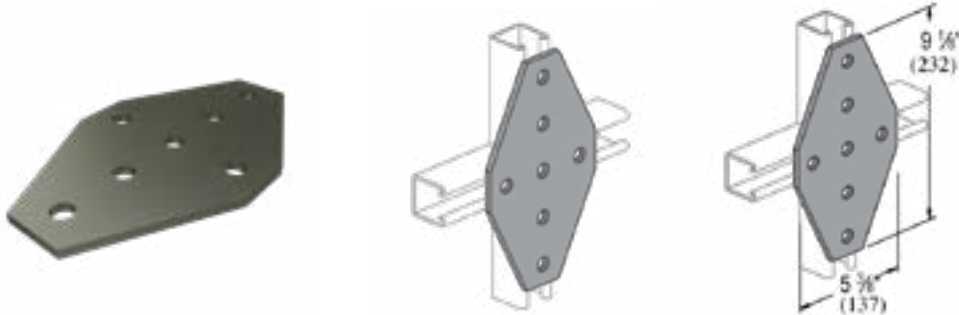
Part Number	Finish	Product Weight per Piece (lb)
P1941 HG	HG	1.00

Flat Plate Fittings

[Click brand for more product info](#) ↓

P1950 - 7 Hole, Flat Plate Fitting

[Unistrut](#)

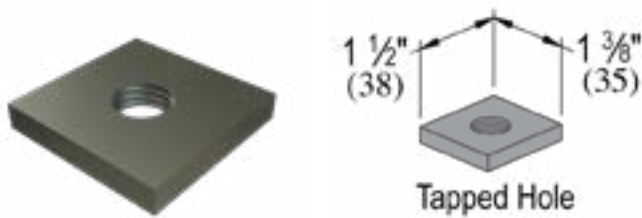


Part Number	Finish	Product Weight per Piece (lb)
P1950 EG	EG	2.40

P1959 THRU P1961 - 1 Hole Washer, Flat Plate Fitting (1 5/8" Series)

[Click brand for more product info](#) ↓

[Unistrut](#)



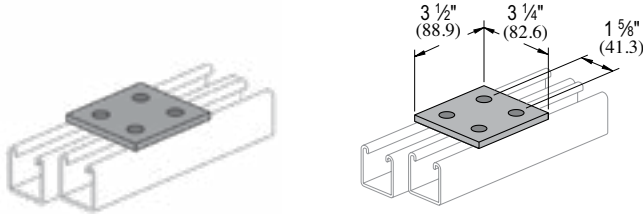
Part Number	Finish	Product Weight per Piece (lb)
P1959 EG	EG	0.21

Flat Plate Fittings

[Click brand for more product info](#) ↓

P2079 - 4 Hole, Flat Plate Fitting

[Unistrut](#)

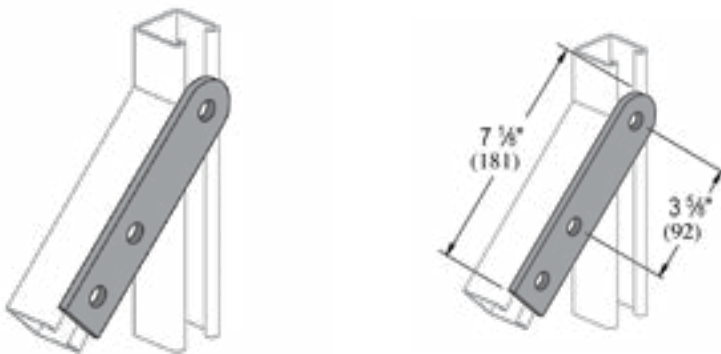


Part Number	Finish	Product Weight per Piece (lb)
P2079 EG	EG	0.73

P2324 - 3 Hole, Flat Plate Fitting

[Click brand for more product info](#) ↓

[Unistrut](#)



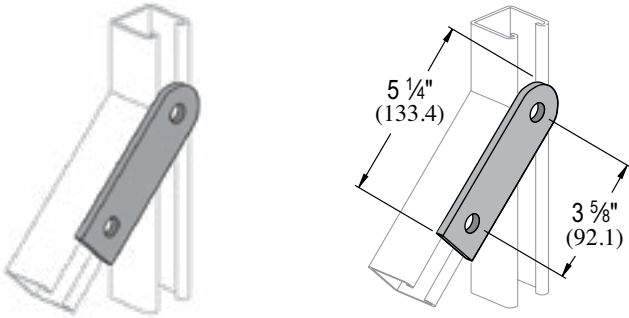
Part Number	Finish	Product Weight per Piece (lb)
P2324 EG	EG	0.75

Flat Plate Fittings

P2325 - 2 Hole, Flat Plate Fitting

[Click brand for more product info](#) ↓

[Unistrut](#)

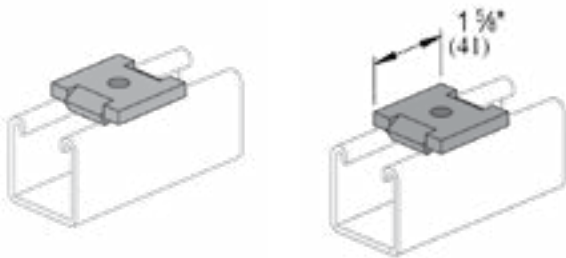


Part Number	Finish	Product Weight per Piece (lb)
P2325 HG	HG	0.61

P2862 THRU P2864 - 1 Hole, Flat Plate Fitting (1 5/8" Series)

[Click brand for more product info](#) ↓

[Unistrut](#)



Part Number	Rod Size (in)	Hole Diameter (in)	Finish	Product Weight per Piece (lb)
P2863 EG	3/8	7/16	EG	0.18
P2864 EG	1/2	9/16	EG	0.17
P2864 HG	1/2	9/16	HG	0.18

90° Fittings

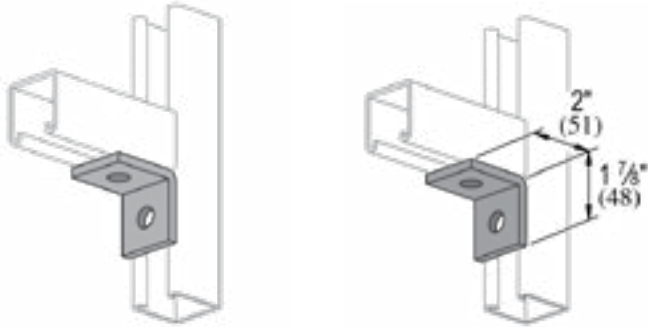
[Click brand for more product info](#) ↓

P1026 - 2 Hole, 90° Fitting

[Unistrut](#)

PS 603 - 2 Hole, 90° Fitting

[Power-Strut](#)



Unistrut Part Number	Power-Strut Part Number	Power-Strut Catalog Number	Finish	Product Weight per Piece (lb)
P1026 EG	720321	PS 603	EG	0.380
P1026 HG	—	—	HG	0.430
P1026 SS	—	—	SS	0.380

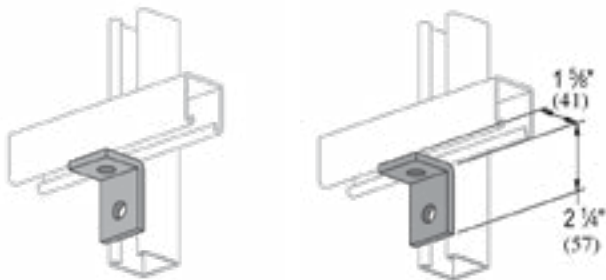
[Click brand for more product info](#) ↓

P1068 - 2 Hole, 90° Fitting

[Unistrut](#)

PS 604 - 2 Hole, 90° Fitting

[Power-Strut](#)



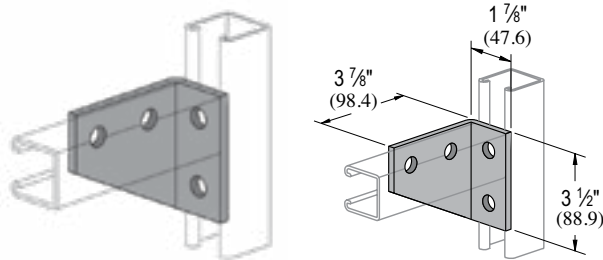
Unistrut Part Number	Power-Strut Part Number	Power-Strut Catalog Number	Finish	Product Weight per Piece (lb)
P1068 EG	719371	PS 604	EG	0.38
P1068 HG	—	—	HG	0.40

90° Fittings

P1291 - 4 Hole, 90° Fitting, Left Hand

[Click brand for more product info](#) ↓

[Unistrut](#)

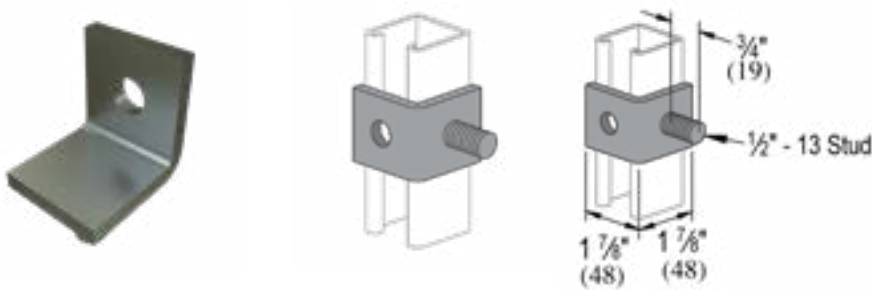


Part Number	Finish	Product Weight per Piece (lb)
P1291 EG	EG	1.01

P1315 - 1 Hole, 1 Stud, 90° Fitting

[Click brand for more product info](#) ↓

[Unistrut](#)



Part Number	Finish	Product Weight per Piece (lb)
P1315 EG	EG	0.45

90° Fittings

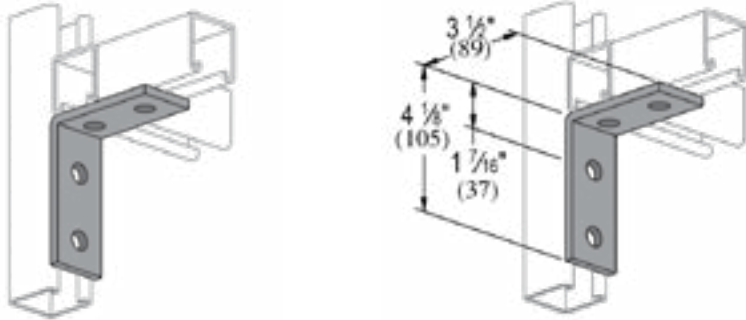
P1325 - 4 Hole, 90° Fitting

[Click brand for more product info](#) ↓

[Unistrut](#)

PS 607 - 4 Hole, 90° Fitting

[Power-Strut](#)

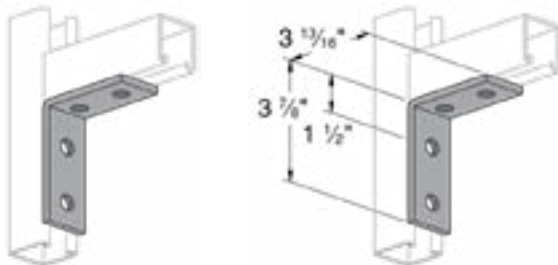


Unistrut Part Number	Power-Strut Part Number	Power-Strut Catalog Number	Finish	Product Weight per Piece (lb)
P1325 EG	719431	PS 607	EG	0.780
P1325 GR	—	—	GR	0.780
P1325 HG	—	—	HG	0.830
P1325 SS	—	—	SS	0.780
P1325 ST	—	—	ST	0.780

PS 660 - 4 Hole, Corner Angle

[Click brand for more product info](#) ↓

[Power-Strut](#)



Part Number	Catalog Number	Finish	Product Weight per Piece (lb)
750871	PS 660 EG	EG	0.78
750872	PS 660 HG	HG	0.78

90° Fittings

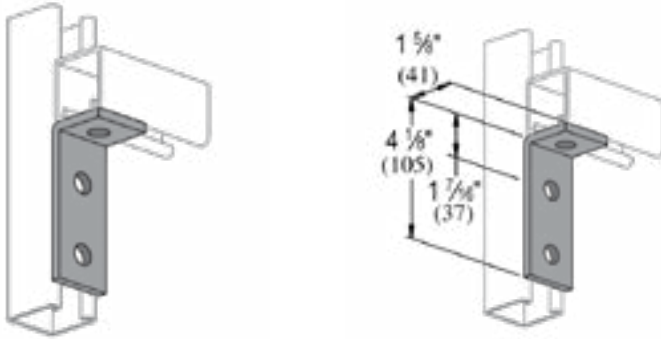
[Click brand for more product info](#) ↓

P1326 - 3 Hole, 90° Fitting

[Unistrut](#)

PS 606 - 3 Hole, 90° Fitting

[Power-Strut](#)



Unistrut Part Number	Power-Strut Part Number	Power-Strut Catalog Number	Finish	Product Weight per Piece (lb)
P1326 EG	720351	PS 606 EG	EG	0.58
P1326 SS	—	—	SS	0.58

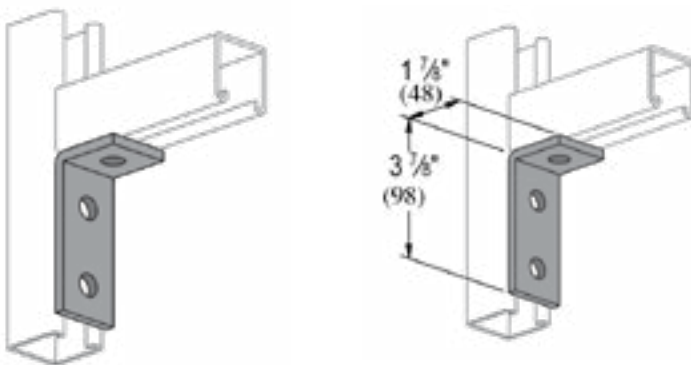
[Click brand for more product info](#) ↓

P1346 - 3 Hole, 90° Fitting

[Unistrut](#)

PS 745 - 3 Hole, 90° Fitting

[Power-Strut](#)



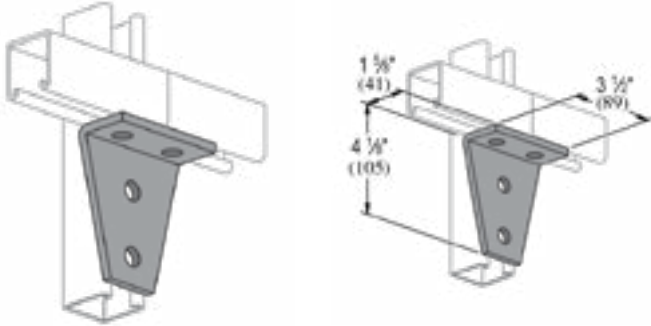
Unistrut Part Number	Power-Strut Part Number	Power-Strut Catalog Number	Finish	Product Weight per Piece (lb)
P1346 EG	750521	PS 745 EG	EG	0.58
P1346 HG	—	—	HG	0.61

90° Fittings

[Click brand for more product info](#) ↓

P1359 - 4 Hole, 90° Fitting

[Unistrut](#)

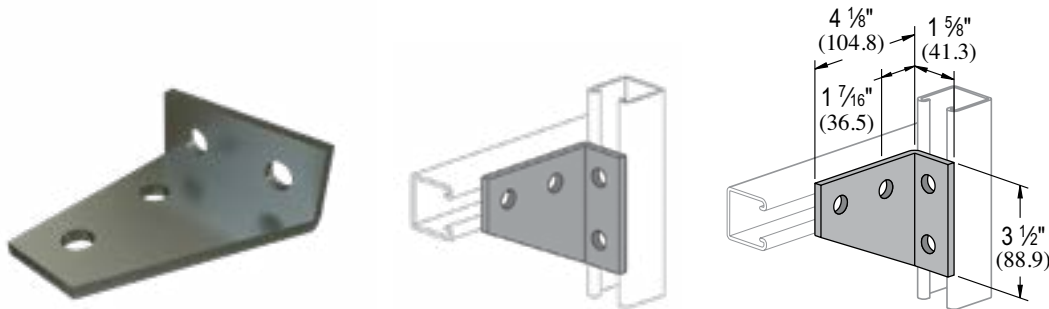


Part Number	Finish	Product Weight per Piece (lb)
P1359 EG	EG	1.05

[Click brand for more product info](#) ↓

P1382 - 4 Hole, 90° Fitting, Left Hand

[Unistrut](#)



Part Number	Finish	Product Weight per Piece (lb)
P1382 EG	EG	1.05

90° Fittings

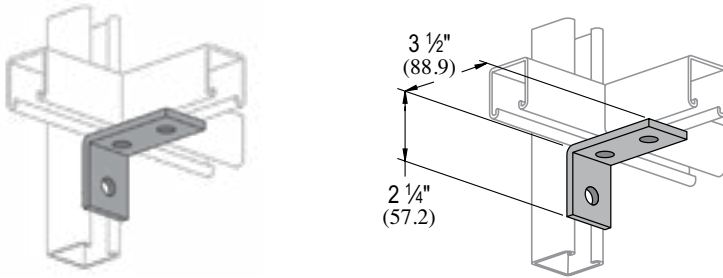
[Click brand for more product info](#) ↓

P1458 - 3 Hole, 90° Fitting

[Unistrut](#)

PS 605 - 3 Hole, 90° Fitting

[Power-Strut](#)

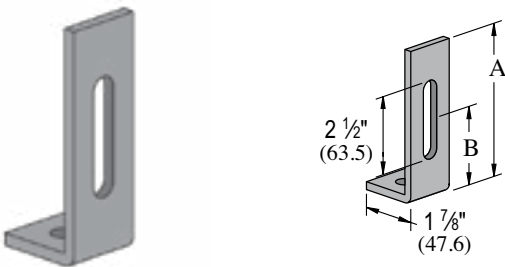


Unistrut Part Number	Power-Strut Part Number	Power-Strut Catalog Number	Finish	Product Weight per Piece (lb)
P1458 EG	719401	PS 605	EG	0.58
P1458 HG	—	—	HG	0.61

[Click brand for more product info](#) ↓

P1498 & P1499 - 1 Hole & 1 Slot, 90° Fitting

[Unistrut](#)



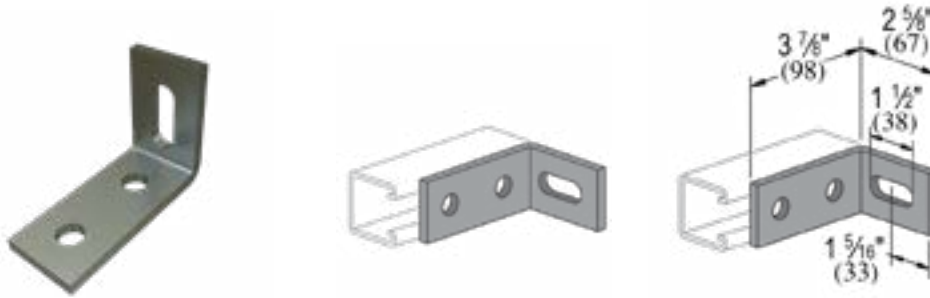
Part Number	Nom. Pipe Size	B	Finish	Product Weight per Piece (lb)
	(in)	(in)		
P1498 EG	$4 \frac{7}{8}$	$2 \frac{1}{2}$	EG	0.65

90° Fittings

[Click brand for more product info](#) ↓

P1747 - 2 Hole, 1 Slot, 90° Fitting

[Unistrut](#)

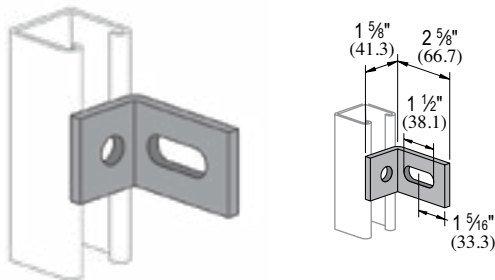


Part Number	Finish	Product Weight per Piece (lb)
P1747 EG	EG	0.66

P1750 - 1 Hole, 1 Slot, 90° Fitting

[Click brand for more product info](#) ↓

[Unistrut](#)



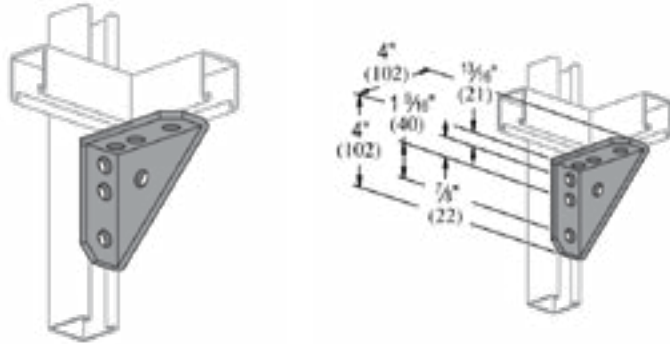
Part Number	Finish	Product Weight per Piece (lb)
P1750 EG	EG	0.38

90° Fittings

P2484 - 7 Hole, 90° Gusseted Fitting

[Click brand for more product info](#) ↓

[Unistrut](#)



Part Number	Finish	Product Weight per Piece (lb)
P2484 EG	EG	1.34
P2484 SS	SS	1.34

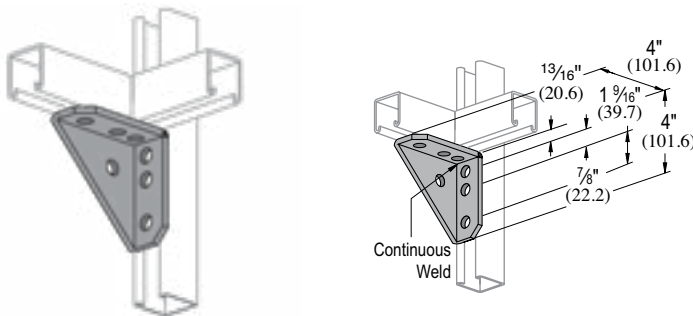
P2484W - 7 Hole, 90° Gusseted Fitting with Welded Corner

[Click brand for more product info](#) ↓

[Unistrut](#)

PS 3373 - 7 Hole, 90° Gusseted Fitting with Welded Corner

[Power-Strut](#)



Unistrut Part Number	Power-Strut Part Number	Power-Strut Catalog Number	Finish	Product Weight per Piece (lb)
P2484W EG	720641	PS 3373 EG	EG	1.34
P2484W SS	—	—	SS	1.34

Angular Fittings

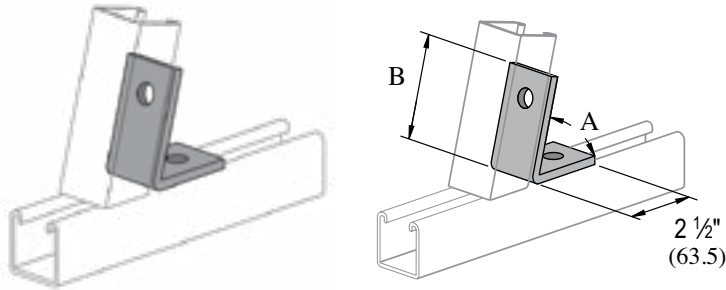
P1186, P2105 THRU P2110 - Inside Angle Fitting

[Click brand for more product info](#) ↓

[Unistrut](#)

PS 624 - Inside Angle Fitting

[Power-Strut](#)

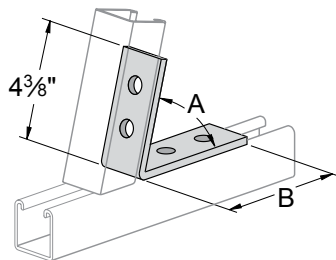


Unistrut Part Number	Power-Strut Part Number	Power-Strut Catalog Number	A	B (in)	Finish	Product Weight per Piece (lb)
P1186EG	751051	PS 624 45 DEG	45°	3 1/8	EG	0.580

PS 793 - 4-Hole Inside Angle Fitting

[Click brand for more product info](#) ↓

[Power-Strut](#)



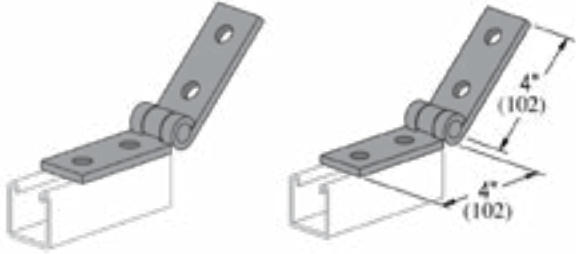
Unistrut Part Number	Power-Strut Part Number	Power-Strut Catalog Number	A	B (in)	Finish	Product Weight per Piece (lb)
—	731061	PS 793 45 DEG EG	45°	4 15/16	EG	1.000

Angular Fittings

Click brand for more product info ↓

[Unistrut](#)

P1354 - Adjustable 4-Hole Hinge

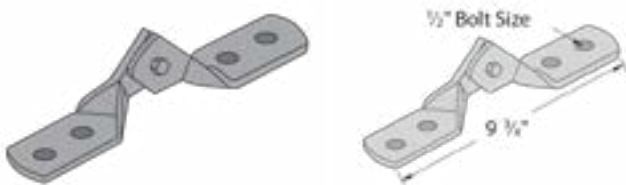


Part Number	Finish	Product Weight per Piece (lb)
P1354 EG	EG	1.09

Click brand for more product info ↓

[Power-Strut](#)

PS 9404 - 4-Hole Hinge Connector



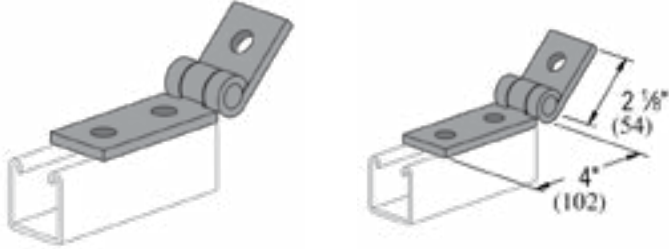
Power-Strut Part Number	Power-Strut Catalog Number	Finish	Product Weight per Piece (lb)
720714	PS 9404 1/2 EG	EG	1.26

Angular Fittings

Click brand for more product info ↓

[Unistrut](#)

P1354A - Adjustable 3-Hole Hinge

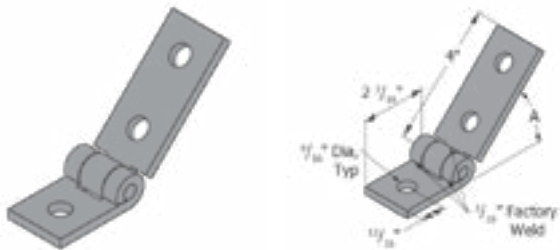


Part Number	Finish	Product Weight per Piece (lb)
P1354A EG	EG	0.89

Click brand for more product info ↓

[Unistrut](#)

P1354AW - Hinged Seismic Brace Fitting (for Strut)



Part Number	Finish	Product Weight per Piece (lb)
P1354AW EG	EG	1.09

"W" in Part Number designates that hinge has welds to increase strength

Angular Fittings

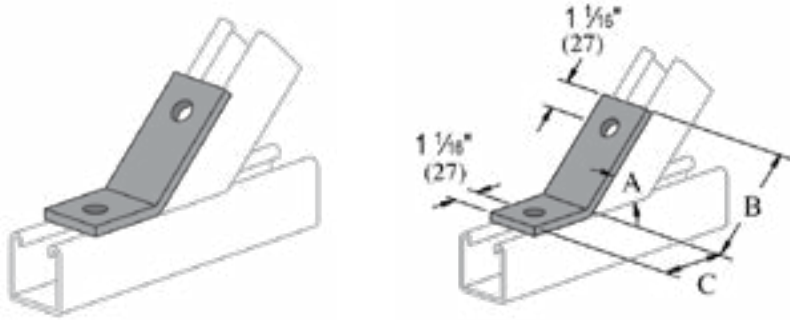
[Click brand for more product info](#) ↓

P1546, P2094 THRU P2100 - 2 Hole, Outside Angle Fitting (1 5/8" Series)

[Unistrut](#)

PS 633 - 2 Hole, Angular Fitting

[Power-Strut](#)

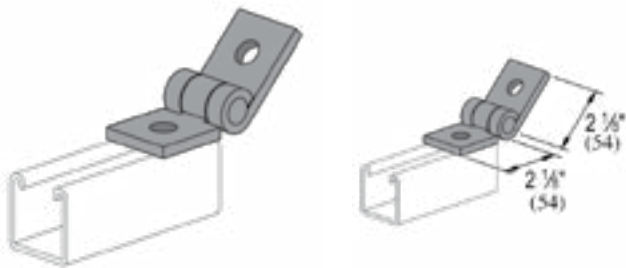


Unistrut Part Number	Power-Strut Part Number	Power-Strut Catalog Number	A (deg)	B (in)	C (in)	Finish	Product Weight per Piece (lb)
P1546 EG	751631	PS 633 45 DEG	45	3	2 5/16	EG	0.58

[Click brand for more product info](#) ↓

P1843 - Adjustable 2-Hole Hinge

[Unistrut](#)



Part Number	Finish	Product Weight per Piece (lb)
P1843 EG	EG	0.68

Angular Fittings

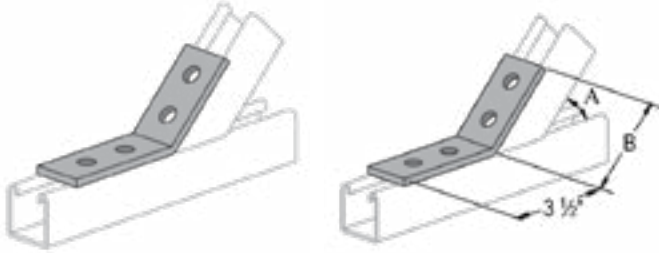
P2260 THRU P2270 - 4 Hole, Outside Angle Fitting (1 5/8" Series)

[Click brand for more product info](#) ↓

[Unistrut](#)

PS 781 - 4 Hole, Outside Angle Fitting

[Power-Strut](#)



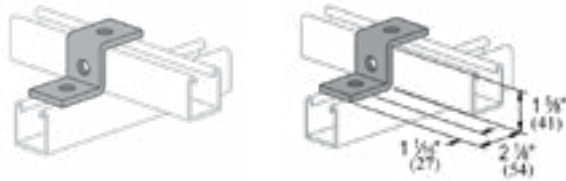
Unistrut Part Number	Power-Strut Part Number	Power-Strut Catalog Number	A (deg)	B	Finish	Product Weight per Piece (lb)
				(in)		
P2265 EG	750961	PS 781	45°	3 1/16	EG	0.78
P2263 EG	—	—	30°	3 1/16	EG	0.78
P2265 SS	—	—	45°	3 1/16	SS	0.83
P2266 EG	—	—	45°	3 1/16	EG	0.83

“Z” Shape Fittings

Click brand for more product info ↓

P1045 - 3 Hole, “Z” Shape Fitting

[Unistrut](#)

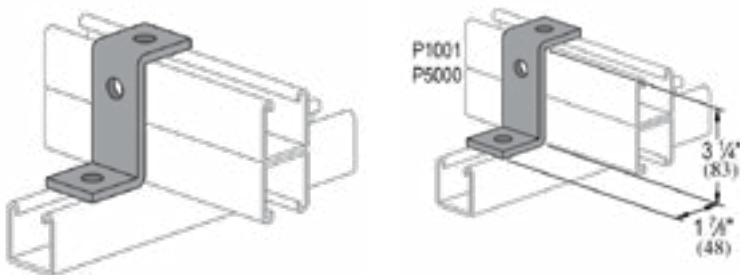


Part Number	Finish	Product Weight per Piece (lb)
P1045 EG	EG	0.15

Click brand for more product info ↓

P1453 - 3 Hole, "Z" Shape Fitting

[Unistrut](#)



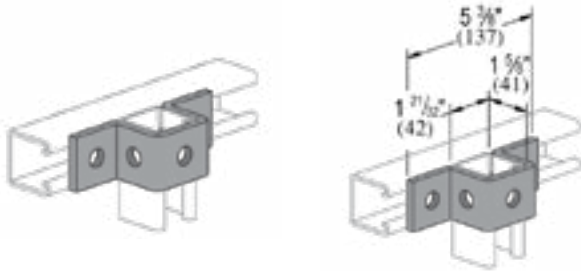
Part Number	Finish	Product Weight per Piece (lb)
P1453 EG	EG	0.7

“U” Shape Fittings

[Click brand for more product info](#) ↓

P1047 - 5 Hole, “U” Shape Fitting

[Unistrut](#)



Part Number	Finish	Product Weight per Piece (lb)
P1047 EG	EG	0.88
P1047 HG	HG	0.93

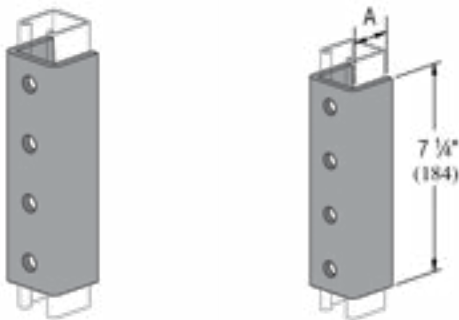
[Click brand for more product info](#) ↓

P1377, P4377, P5077 & P5577 - 4 Hole U-Shaped Splice

[Unistrut](#)

PS 616 - 4 Hole U-Shaped Splice

[Power-Strut](#)



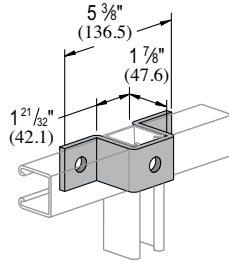
Unistrut Part Number	Power-Strut Part Number	Power-Strut Catalog Number	Use With	A (in)	Finish	Product Weight per Piece (lb)
P1377 EG	—	—	P1000, P1100, P2000	1 9/16	EG	2.65
—	720781	PS 616	PS 200, PS 210	1 9/16	EG	2.65

“U” Shape Fittings

[Click brand for more product info](#) ↓

[Unistrut](#)

P1383 - 3 Hole, “U” Shape Fitting

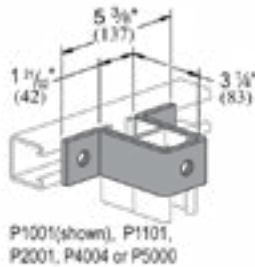
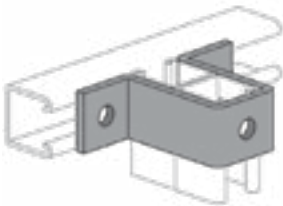


Part Number	Finish	Product Weight per Piece (lb)
P1383 EG	EG	0.95

[Click brand for more product info](#) ↓

[Unistrut](#)

P1737 - 3 Hole, “U” Shape Fitting



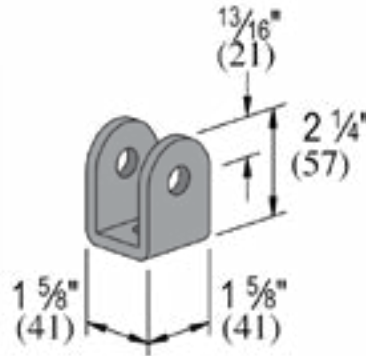
Part Number	Finish	Product Weight per Piece (lb)
P1737 EG	EG	1.28

“U” Shape Fittings

P1973 - 3 Hole, "U" Shape Fitting

[Click brand for more product info](#) ↓

[Unistrut](#)

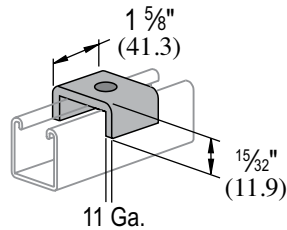


Part Number	Finish	Product Weight per Piece (lb)
P1973 HG	HG	0.56

P2800-25 THRU P2800-75 - 1 Hole, "U" Shape Fitting

[Click brand for more product info](#) ↓

[Unistrut](#)



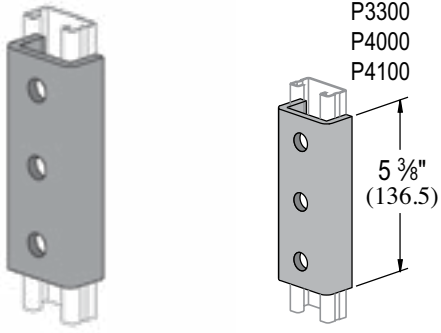
Part Number	Bolt Size (in)	Hole Size (in)	Finish	Product Weight per Piece (lb)
P2800-50 EG	1/2	9/16	EG	0.14

“U” Shape Fittings

[Click brand for more product info](#) ↓

[Unistrut](#)

P4376A - "U" Shape Fitting



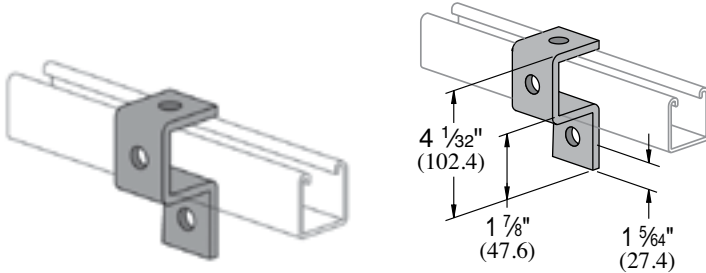
Part Number	Finish	Product Weight per Piece (lb)
P4376A EG	EG	1.30

Wing Shape Fittings

[Click brand for more product info](#) ↓

P1046A - 3 Hole, Wing Shape Fitting

[Unistrut](#)

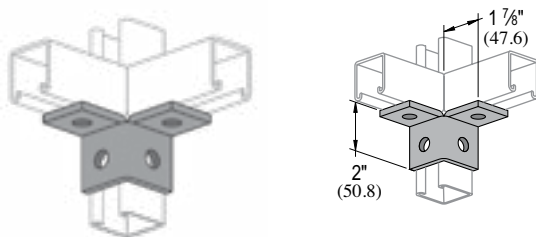


Part Number	Finish	Product Weight per Piece (lb)
P1046A EG	EG	0.76

[Click brand for more product info](#) ↓

P2223 - Wing Shape Fitting

[Unistrut](#)



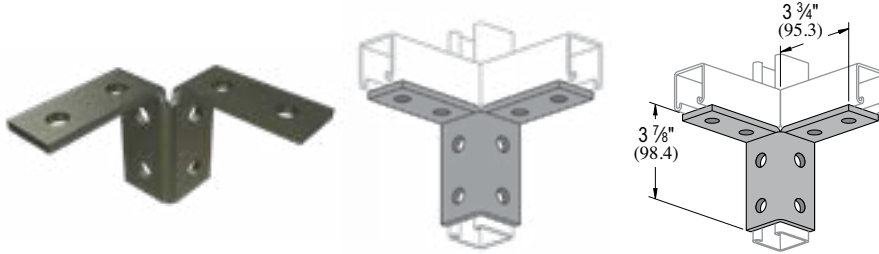
Part Number	Finish	Product Weight per Piece (lb)
P2223 EG	EG	0.76

Wing Shape Fittings

[Click brand for more product info](#) ↓

P2225 - Wing Shape Fitting

[Unistrut](#)

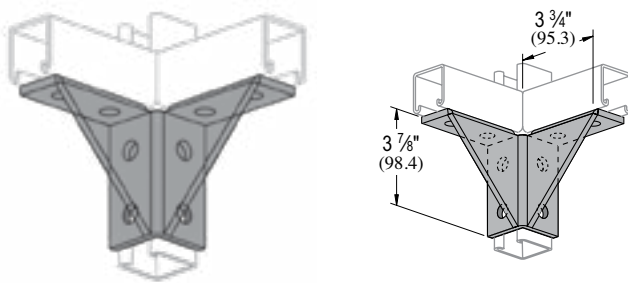


Part Number	Finish	Product Weight per Piece (lb)
P2225 GR	GR	1.55

[Click brand for more product info](#) ↓

P2226 - Wing Shape Fitting

[Unistrut](#)



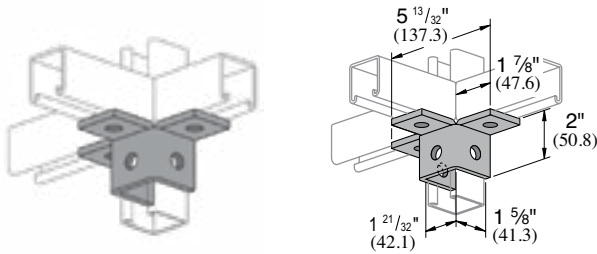
Part Number	Finish	Product Weight per Piece (lb)
P2226 EG	EG	2.17

Wing Shape Fittings

[Click brand for more product info](#) ↓

P2227 - Wing Shape Fitting

[Unistrut](#)

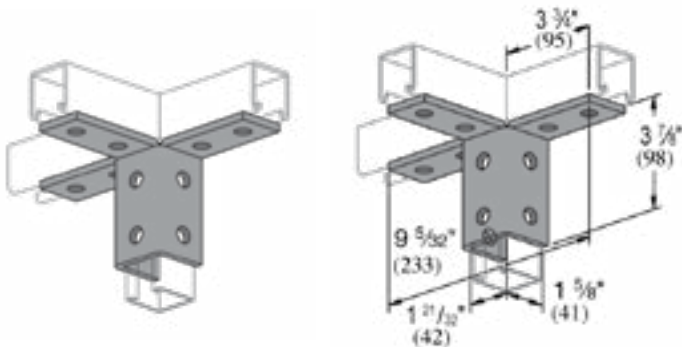


Part Number	Finish	Product Weight per Piece (lb)
P2227 EG	EG	1.13

[Click brand for more product info](#) ↓

P2229 - Wing Shape Fitting

[Unistrut](#)



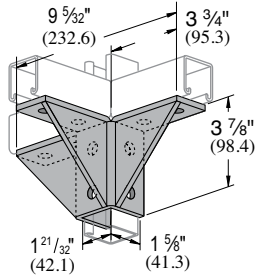
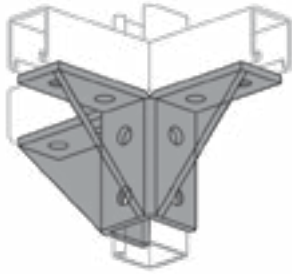
Part Number	Finish	Product Weight per Piece (lb)
P2229 EG	EG	2.30

Wing Shape Fittings

[Click brand for more product info](#) ↓

P2230 - Wing Shape Fitting

[Unistrut](#)

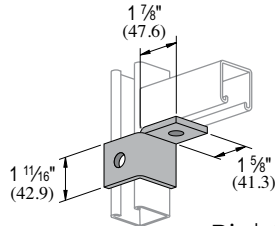
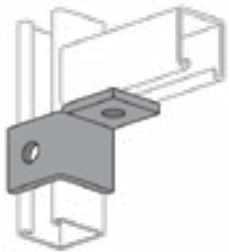


Part Number	Finish	Product Weight per Piece (lb)
P2230 EG	EG	3.10

P2341(R-L) - Wing Shape Fitting

[Click brand for more product info](#) ↓

[Unistrut](#)



Right Hand Shown

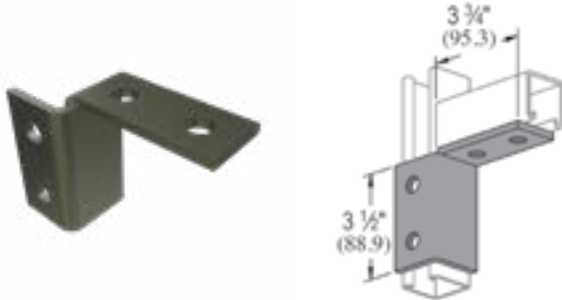
Part Number	Nom. Pipe Size	Finish	Product Weight per Piece (lb)
P2341L EG	L	EG	0.60
P2341R EG	R	EG	0.60

Wing Shape Fittings

[Click brand for more product info](#) ↓

P2343(R-L) - Wing Shape Fitting

[Unistrut](#)

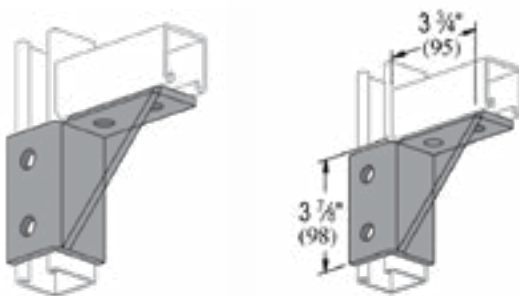


Part Number	Nom. Pipe Size	Finish	Product Weight per Piece (lb)
P2343L EG	L	EG	1.19

P2344(R-L) - Wing Shape Fitting

[Click brand for more product info](#) ↓

[Unistrut](#)



Right Hand Shown

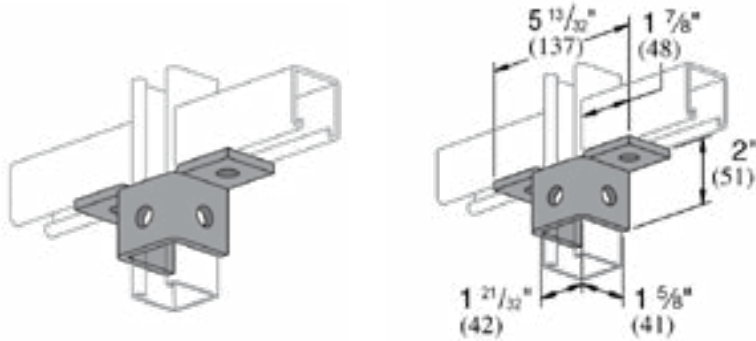
Part Number	Nom. Pipe Size	Finish	Product Weight per Piece (lb)
P2344L EG	L	EG	1.76

Wing Shape Fittings

P2345 - Wing Shape Fitting

[Click brand for more product info](#) ↓

[Unistrut](#)

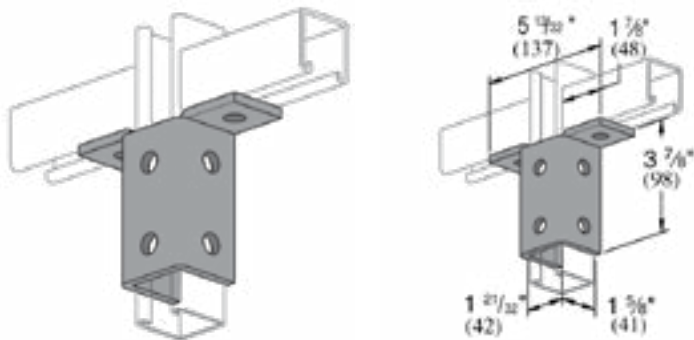


Part Number	Finish	Product Weight per Piece (lb)
P2345 EG	EG	0.93

P2346 - Wing Shape Fitting

[Click brand for more product info](#) ↓

[Unistrut](#)



Part Number	Finish	Product Weight per Piece (lb)
P2346 EG	EG	1.50
P2346 GR	GR	1.50

Wing Shape Fittings

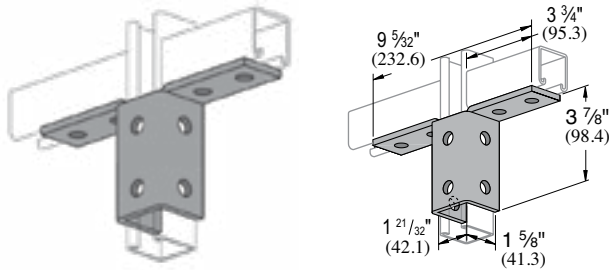
P2347 - Wing Shape Fitting

[Click brand for more product info](#) ↓

[Unistrut](#)

PS 913 - Wing Shape Fitting

[Power-Strut](#)

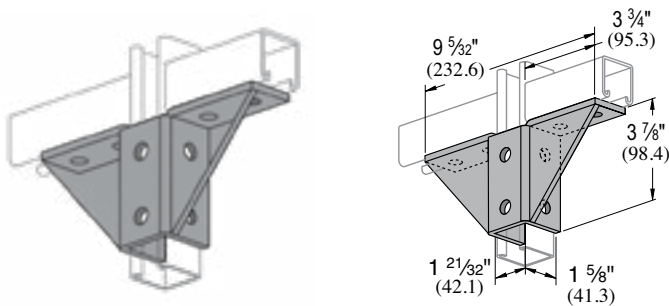


Unistrut Part Number	Power-Strut Part Number	Power-Strut Catalog Number	Finish	Product Weight per Piece (lb)
P2347 EG	716551	PS 913 EG	EG	1.93

P2348 - Wing Shape Fitting

[Click brand for more product info](#) ↓

[Unistrut](#)



Part Number	Finish	Product Weight per Piece (lb)
P2348 EG	EG	2.74

Pipe & Conduit Supports

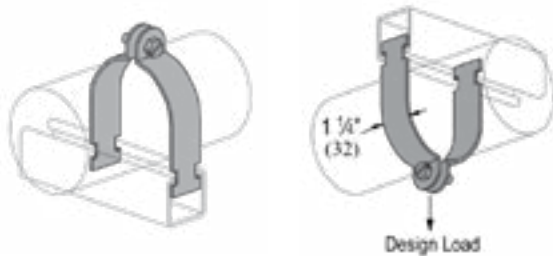
P1109 THRU P1126 - Pipe and Rigid Steel Conduit Clamp (1 5/8" Series)

PS 1100 - Pipe and Rigid Steel Conduit Clamp

[Click brand for more product info](#) ↓

[Unistrut](#)

[Power-Strut](#)



Unistrut Part Number	Power-Strut Part Number	Power-Strut Catalog Number	Conduit Size	O.D. Size	Ga. (Thickness)	Finish	Product Weight per Piece (lb)
			(in)	(in)			
P1109 SS	—	—	3/8	0.675	16 (1.5)	SS	0.100
P1111 EG	717411	PS 1100	1/2	0.840	16 (1.5)	EG	0.110
P1111 HG	717412	PS 1100	1/2	0.840	16 (1.5)	HG	0.110
P1111 SS	—	—	1/2	0.840	16 (1.5)	SS	0.110
P1111AS EG*	782111*	PS 1100	1/2	0.840	16 (1.5)	EG	0.110
P1112 AL	713210	PS 1100	3/4	1.050	14 (1.9)	AL	0.050
P1112T AL	304084	PS 1100	3/4	1.050	14 (1.9)	AL	0.050
—	714060	PS 1117 3/4 AL	3/4	—	—	AL	0.150
P1112 EG	717421	PS 1100	3/4	1.050	14 (1.9)	EG	0.150
P1112 HG	717422	PS 1100	3/4	1.050	14 (1.9)	HG	0.160
P1112 SS	723180	PS 1100	3/4	1.050	14 (1.9)	SS	0.150
P1112 ST	—	—	3/4	1.050	14 (1.9)	ST	0.150
P1112AS EG*	782121*	PS 1100	3/4	1.050	14 (1.9)	EG	0.150
P1113 AL	713220	PS 1100	1	1.315	14 (1.9)	AL	0.060
—	714070	PS 1117 1 AL	1	—	—	AL	0.170
P1113 EG	717431	PS 1100	1	1.315	14 (1.9)	EG	0.170
P1113 HG	717432	PS 1100	1	1.315	14 (1.9)	HG	0.180
P1113 SS	723190	PS 1100	1	1.315	14 (1.9)	SS	0.170
P1113 ST	—	—	1	1.315	14 (1.9)	ST	0.170
P1113AS EG*	782131*	PS 1100	1	1.315	14 (1.9)	EG	0.170
P1114 AL	—	—	1 1/4	1.660	14 (1.9)	AL	0.070
P1114 EG	717441	PS 1100	1 1/4	1.660	14 (1.9)	EG	0.190
P1114 HG	717442	PS 1100	1 1/4	1.660	14 (1.9)	HG	0.200
P1114 SS	—	—	1 1/4	1.660	14 (1.9)	SS	0.190
P1114AS EG*	782141*	PS 1100	1 1/4	1.660	14 (1.9)	EG	0.190
P1115 AL	726603	PS 1100	1 1/2	1.900	12 (2.7)	AL	0.090
P1115T AL	304151	PS 1100	1 1/2	1.900	12 (2.7)	AL	0.090
—	714090	PS 1117 1 1/2 AL	1 1/2	—	—	AL	0.290
P1115 EG	717451	PS 1100	1 1/2	1.900	12 (2.7)	EG	0.290
P1115 HG	717452	PS 1100	1 1/2	1.900	12 (2.7)	HG	0.310
P1115 SS	723210	PS 1100	1 1/2	1.900	12 (2.7)	SS	0.290
P1115 ST	—	—	1 1/2	1.900	12 (2.7)	ST	0.290

Pipe & Conduit Supports

P1109 THRU P1126 - Pipe and Rigid Steel Conduit Clamp (1 5/8" Series)

Click brand for more product info ↓

[Unistrut](#)

PS 1100 - Pipe and Rigid Steel Conduit Clamp

[Power-Strut](#)

Unistrut Part Number	Power-Strut Part Number	Power-Strut Catalog Number	Conduit Size	O.D. Size	Ga. (Thickness)	Finish	Product Weight per Piece (lb)
			(in)	(in)			
P1115AS EG*	782151*	PS 1100	1½	1.900	12 (2.7)	EG	0.290
P1117 AL	713250	PS 1100	2	2.375	12 (2.7)	AL	0.120
—	714100	PS 1117 2 AL	2	—	—	AL	0.340
P1117 EG	717461	PS 1100	2	2.375	12 (2.7)	EG	0.340
P1117 HG	717462	PS 1100	2	2.375	12 (2.7)	HG	0.360
P1117 SS	723220	PS 1100	2	2.375	12 (2.7)	SS	0.340
P1117 ST	—	—	2	2.375	12 (2.7)	ST	0.340
P1117AS EG*	782161*	PS 1100	2	2.375	12 (2.7)	EG	0.340
P1118 AL	713260	PS 1100	2½	2.875	12 (2.7)	AL	0.140
P1118 EG	717471	PS 1100	2½	2.875	12 (2.7)	EG	0.400
P1118 HG	717472	PS 1100	2½	2.875	12 (2.7)	HG	0.420
P1118AS EG*	782171*	PS 1100	2½	2.875	12 (2.7)	EG	0.410
P1119 AL	713270	PS 1100	3	3.500	12 (2.7)	AL	0.160
P1119 EG	717481	PS 1100	3	3.500	12 (2.7)	EG	0.470
P1119 HG	717482	PS 1100	3	3.500	12 (2.7)	HG	0.490
P1119 SS	723240	PS 1100	3	3.500	12 (2.7)	SS	0.470
P1119 ST	—	—	3	3.500	12 (2.7)	ST	0.470
P1119AS EG*	782181*	PS 1100	3	3.500	12 (2.7)	EG	0.470
P1120 EG	717491	PS 1100	3½	4.000	11 (3.0)	EG	0.620
P1120 HG	—	—	3½	4.000	11 (3.0)	HG	0.660
P1120AS EG*	782191*	PS 1100	3½	4.000	11 (3.0)	EG	0.620
—	713290	PS 1100	4	4.500	11 (3.0)	AL	0.210
—	714140	PS 1117 4 AL	4	—	—	AL	0.670
P1121 EG	717501	PS 1100	4	4.500	11 (3.0)	EG	0.670
P1121 HG	—	—	4	4.500	11 (3.0)	HG	0.710
P1121 SS	—	—	4	4.500	11 (3.0)	SS	0.670
P1121AS EG*	782201*	PS 1100	4	4.500	11 (3.0)	EG	0.670
P1123 EG	717511	PS 1100	5	5.563	11 (3.0)	EG	0.800
P1123AS EG*	—	—	5	5.563	11 (3.0)	EG	0.800
P1124 EG	717521	PS 1100	6	6.625	10 (3.4)	EG	1.020
P1124AS EG*	14752*	PS 1100	6	6.625	10 (3.4)	EG	1.020
P1126 EG	—	—	8	8.625	10 (3.4)	EG	1.300
P1126 HG	—	—	8	8.625	10 (3.4)	HG	1.370

* Parts are furnished assembled

NOTE: PS 1117 parts are Aluminum Clamps with Stainless Steel fasteners

Pipe & Conduit Supports

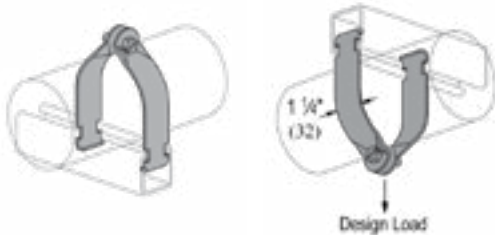
[Click brand for more product info](#) ↓

P1211 THRU P1217 - Universal Pipe Clamp (1 5/8" Series)

[Unistrut](#)

PS 1300 - Universal Pipe Clamp

[Power-Strut](#)



Unistrut Part Number	Power-Strut Part Number	Power-Strut Catalog Number	Conduit Size		Ga. (Thickness)	Finish	Product Weight per Piece (lb)
			(in)	(mm)			
P1211 EG	713331	PS 1300	1/2	13	16 (1.5)	EG	0.100
P1211AS EG*	782401*	PS 1300	1/2	13	16 (1.5)	EG	0.100
P1212 EG	713341	PS 1300	3/4	19	16 (1.5)	EG	0.100
P1212AS EG*	782411*	PS 1300	3/4	19	16 (1.5)	EG	0.100
P1213 EG	713351	PS 1300	1	25	16 (1.5)	EG	0.110
P1213AS EG*	782421*	PS 1300	1	25	16 (1.5)	EG	0.110
P1214 EG	713361	PS 1300	1 1/4	32	14 (1.9)	EG	0.180
P1214AS EG*	782431*	PS 1300	1 1/4	32	14 (1.9)	EG	0.180
P1215 EG	713371	PS 1300	1 1/2	38	14 (1.9)	EG	0.190
P1215AS EG*	782441*	PS 1300	1 1/2	38	14 (1.9)	EG	0.190
P1217 EG	713381	PS 1300	2	51	14 (1.9)	EG	0.220
P1217 SS	—	—	2	51	14 (1.9)	SS	0.220
P1217AS EG*	782451*	PS 1300	2	51	14 (1.9)	EG	0.220

*Parts are furnished assembled

Pipe & Conduit Supports

[Click brand for more product info](#) ↓

P1425 THRU P1431 - Conduit (EMT) Clamp (1 5/8" Series)

[Unistrut](#)

PS 1000 - Conduit (EMT) Clamp

[Power-Strut](#)



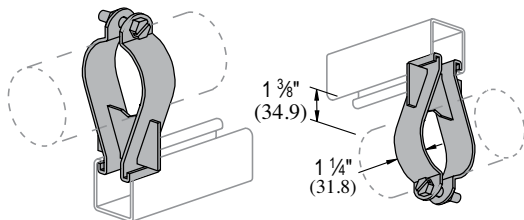
Unistrut Part Number	Power-Strut Part Number	Power-Strut Catalog Number	Conduit Size		O.D. Size		Ga. (Thickness)	Finish	Product Weight per Piece (lb)
			(in)	(mm)	(in)	(mm)			
P1426 EG	717611	PS 1000	1/2	13	0.706	17.9	16 (1.5)	EG	0.110
P1426AS EG*	782021*	PS 1000	1/2	13	0.706	17.9	16 (1.5)	EG	0.110
P1427 EG	717621	PS 1000	3/4	19	0.922	23.4	16 (1.5)	EG	0.120
P1427AS EG*	782031*	PS 1000	3/4	19	0.922	23.4	16 (1.5)	EG	0.120
P1428 EG	717631	PS 1000	1	25	1.163	29.5	14 (1.9)	EG	0.150
P1428AS EG*	782041*	PS 1000	1	25	1.163	29.5	14 (1.9)	EG	0.150
P1429 EG	717641	PS 1000	1 1/4	32	1.510	38.4	14 (1.9)	EG	0.180
P1429AS EG*	782051*	PS 1000	1 1/4	32	1.510	38.4	14 (1.9)	EG	0.180
—	688954	PS 1000	1 1/2	38	1.740	44.2	12 (2.7)	AL	—
P1430 EG	717651	PS 1000	1 1/2	38	1.740	44.2	12 (2.7)	EG	0.290
P1430AS EG*	782061*	PS 1000	1 1/2	38	1.740	44.2	12 (2.7)	EG	0.290
—	688955	PS 1000	2	51	2.197	55.8	12 (2.7)	AL	—
P1431 EG	717661	PS 1000	2	51	2.197	55.8	12 (2.7)	EG	0.330
P1431AS EG*	782071*	PS 1000	2	51	2.197	55.8	12 (2.7)	EG	0.330

*Parts are furnished assembled

[Click brand for more product info](#) ↓

P1563 THRU P1573 - Parallel Pipe Clamp

[Unistrut](#)



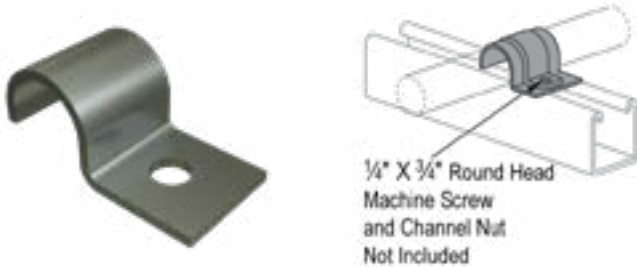
Part Number	Pipe Size		O.D. Size		Ga. (Thickness)	Finish	Product Weight per Piece (lb)
	(in)	(mm)	(in)	(mm)			
P1565 EG	3/4	19.1	1.050	26.7	14 (1.9)	EG	0.30
P1566 EG	1	25.4	1.315	33.4	14 (1.9)	EG	0.31

Pipe & Conduit Supports

P2008 THRU P2020 - One Hole O.D. Tubing Clamp

[Click brand for more product info](#) ↓

[Unistrut](#)

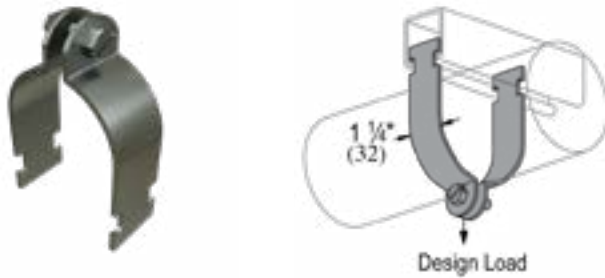


Part Number	Size (in)	Finish	Product Weight per Piece (lb)
P2016 EG	3/4	EG	0.09

P2024 THRU P2070 - O.D. Tubing Clamp

[Click brand for more product info](#) ↓

[Unistrut](#)



Part Number	Finish	Product Weight per Piece (lb)
P2025 SS	SS	0.08
P2026 SS	SS	0.09
P2028 EG	EG	0.11
P2030 EG	EG	0.14
P2055 EG	EG	0.62
P2070-61 EG	EG	0.96

Pipe & Conduit Supports

[Click brand for more product info](#)

P2558 Series - Single Piece Pipe Strap

[Unistrut](#)

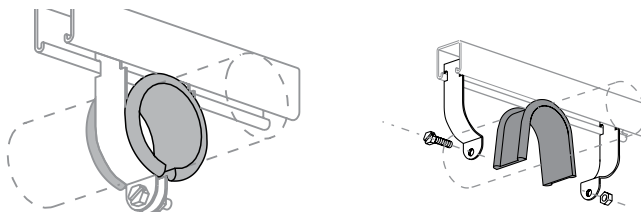


Part Number	Nom. Pipe Size (in)	"A"		"B"		"C"		Thickness		Finish	Product Weight per Piece (lb)
		(in)	(mm)	(in)	(mm)	(in)	(mm)	(in)	(mm)		
P2558-10 HG	1	3 3/8	85.7	9/32	7.1	7/16	11.1	1/8	3.2	HG	0.32
P2558-20 EG	2	5 3/4	146.1	7/16	11.1	1 1/16	17.5	1/4	6.4	EG	0.94
P2558-20 HG	2	5 3/4	146.1	7/16	11.1	1 1/16	17.5	1/4	6.4	HG	0.96
P2558-20 SS	2	5 3/4	146.1	7/16	11.1	1 1/16	17.5	1/4	6.4	SS	0.94
P2558-40 EG	4	7 7/8	200.0	7/16	11.1	1 1/16	17.5	1/4	6.4	EG	1.70

P2600 - UNICUSHION®: Isolation Material

[Click brand for more product info](#)

[Unistrut](#)



- Shock absorption
- Protection from corrosion/abrasion
- Flexible elastomer material
- 25 feet per roll

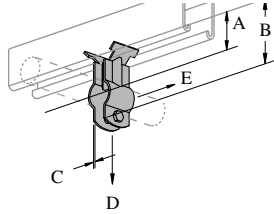
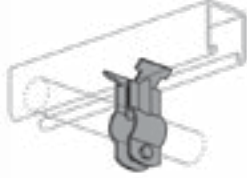
Part Number	Product Weight per Piece (lb)
P2600	2.50

Pipe & Conduit Supports

P3409 THRU P3417 - Stand-off Pipe Clamps

Click brand for more product info ↓

[Unistrut](#)



- Hardware included
- Finish: Electro-galvanized
- Pipe Clamp 1¼" Wide

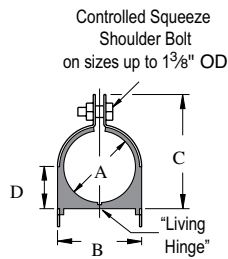
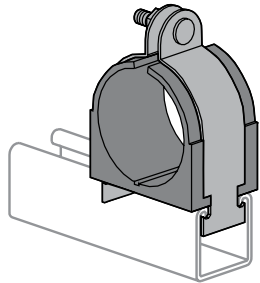
Part Number	Pipe Size		O.D. Size		Load "D"		Load "E"		A		B		C		Product Weight per Piece (lb)
	(in)	(mm)	(in)	(mm)	(lb)	(kN)	(lb)	(kN)	(in)	(mm)	(in)	(mm)	(ga)	(mm)	
P3412EG	¾	19.1	1.050	26.7	175	0.78	40	0.18	1¼ ₆	33.3	2½	63.5	14	1.9	0.19
P3413EG	1	25.4	1.315	33.4	200	0.89	50	0.22	1½	38.1	2¾	69.9	14	1.9	0.22

Pipe & Conduit Supports

004T008 thru 098N106 - CUSH-A-CLAMP® Assembly

Click brand for more product info ↓

Unistrut
Power-Strut



- Materials:
 - Clamp: Electro-galvanized or stainless steel
 - Cushion: Thermoplastic elastomer. (UV Resistant)
- Includes cushion, clamp and hardware
- Temperature Rating:
 - 50°F to +275°F (-45°C to +135°C)
- Insert Width: 1.56" (39.6)
- Part Numbers are "coded" to designate cushion size and clamp size. Examples:
 - 004T008
 - 004 - Cushion Size 3/16" (6.4)
 - T - With Controlled Squeeze Shoulder Bolt Available on sizes up to 1 3/8"
 - 008 - Clamp Size 3/16" (12.7)

Tube Series Assembly

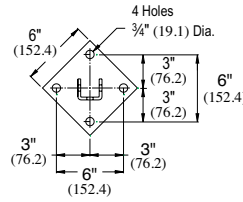
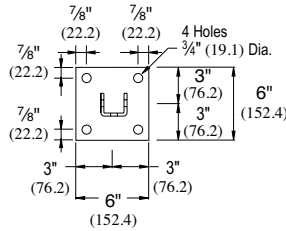
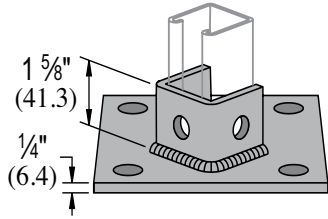
Part Number	Copper & Steel Tube O. D. Size	Copper Water Pipe (Nominal)	Dimensions								Finish	Product Weight per Piece (lb)
			"A"		"B"		"C"		"D"			
			(in)	(mm)	(in)	(mm)	(in)	(mm)	(in)	(mm)		
004T008 EG	1/4		0.25	6.4	0.62	15.7	0.98	24.9	0.27	6.9	EG	0.10
006T010 EG	3/8	1/4	0.37	9.4	0.82	20.8	1.13	28.7	0.33	8.4	EG	0.11
006T010 SS	3/8	1/4	0.37	9.4	0.82	20.8	1.13	28.7	0.33	8.4	SS	0.11
008T012 EG	1/2	3/8	0.5	12.7	0.94	23.9	1.34	34.0	0.4	10.2	EG	0.13
008T012 SS	1/2	3/8	0.5	12.7	0.94	23.9	1.34	34.0	0.4	10.2	SS	0.13
010T014 EG	5/8	1/2	0.62	15.7	1.06	26.9	1.54	39.1	0.46	11.7	EG	0.14
012T016 EG	3/4	5/8	0.75	19.1	1.2	30.5	1.68	42.7	0.52	12.2	EG	0.14
014N018 EG	1/2		0.84	21.3	1.29	32.8	1.82	46.2	0.58	14.7	EG	0.15
014T018 EG	7/8	3/4	0.87	22.1	1.31	33.3	1.82	46.2	0.58	14.7	EG	0.15
016T020 EG	1		1.0	25.4	1.44	36.6	1.95	49.5	0.65	16.5	EG	0.17
016T020 SS	1		1.0	25.4	1.44	36.6	1.95	49.5	0.65	16.5	SS	0.17
017N022 EG	3/4		1.05	26.7	1.5	38.1	1.95	49.2	0.7	17.8	EG	0.17
018T022 EG	1 1/8	1	1.12	28.4	1.57	39.9	2.08	52.8	0.7	17.8	EG	0.18
018T022 SS	1 1/8	1	1.12	28.4	1.57	39.9	2.08	52.8	0.7	17.8	SS	0.18
021N026 EG	1		1.31	33.3	1.76	44.7	2.34	59.4	0.81	20.6	EG	0.19
024N028 SS	1 1/2		1.5	38.1	1.95	49.5	2.47	62.7	0.9	22.9	SS	0.33
030N034 EG	1 1/2		1.9	48.3	2.35	59.7	2.86	72.6	1.09	27.7	EG	0.39
032N036 EG	2		2.0	50.8	2.45	62.2	3.04	77.2	1.15	29.2	EG	0.46
038N044 EG	2 3/8		2.37	60.2	2.82	71.6	3.67	93.2	1.41	35.8	EG	0.49
PS 030N EG	1 1/2		1.9	48.3	2.35	59.7	2.86	72.6	1.09	27.7	EG	0.39

Post Bases

P2072 & P2072 SQ Post Base 1-5/8" Series

Click brand for more product info ↓

[Power-Strut](#)
[Unistrut](#)



Part Number	Nom. Pipe Size	Finish	Product Weight per Piece (lb)
P2072SQ EG	SQ	EG	3.07
P2072SQ HG	SQ	HG	3.38

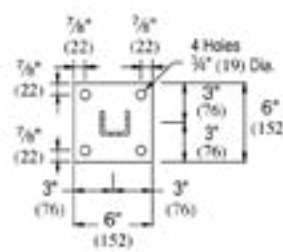
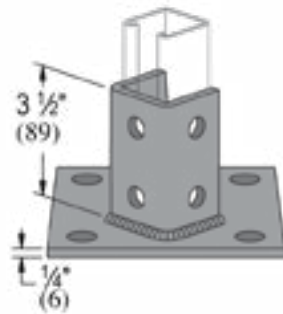
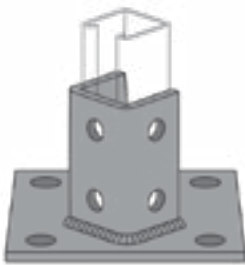
P2072A & P2072A SQ - Post Base (1 5/8" Series)

Click brand for more product info ↓

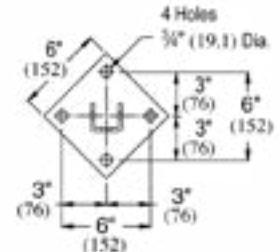
[Unistrut](#)

PS 3033 & PS 3033 SQ - Post Base

[Power-Strut](#)



P2072A SQ



P2072A

Unistrut Part Number	Power-Strut Part Number	Power-Strut Catalog Number	Nom. Pipe Size	Finish	Product Weight per Piece (lb)
P2072A EG	752401	PS 3033 EG	STD	EG	3.73
P2072A GR	—	—	STD	GR	3.73
P2072A HG	—	—	STD	HG	4.07
P2072ASQ EG	752407	PS 3033 SQ EG	SQ	EG	3.73
P2072ASQ HG	15074	PS 3033 SQ HG	SQ	HG	3.95
P2072ASQ SS	700357	PS 3033 SQ SS	SQ	SS	3.73
P2072ASQ ST	—	—	SQ	ST	3.73

Post Bases

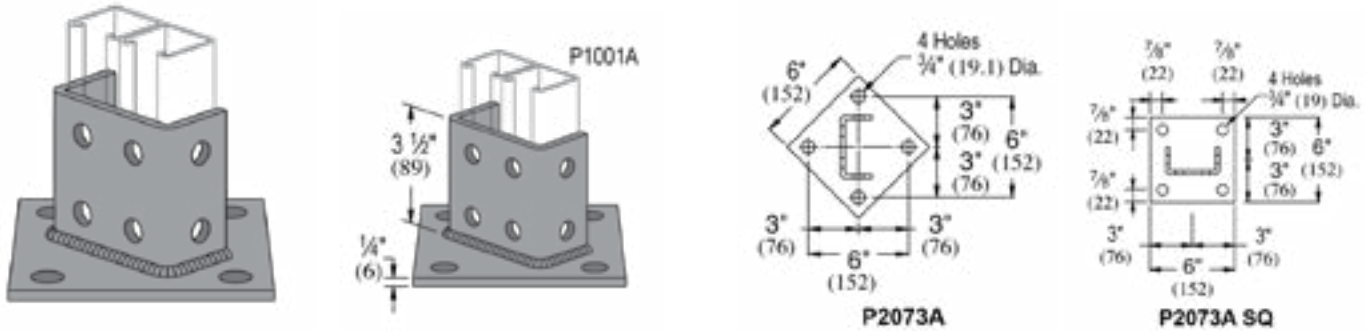
[Click brand for more product info](#)

P2073A & P2073A SQ - Post Base (1 5/8" Series)

[Unistrut](#)

PS 3064 & PS 3064 SQ - Post Base

[Power-Strut](#)



Unistrut Part Number	Power-Strut Part Number	Power-Strut Catalog Number	Nom. Pipe Size	Finish	Product Weight per Piece (lb)
P2073A EG	752381	PS 3064 EG	STD	EG	4.080
P2073A HG	—	—	STD	HG	4.325
P2073ASQ EG	—	—	SQ	EG	4.080
—	752387	PS 3064 SQ EG	SQ	EG	4.040
P2073ASQ HG	752382	PS 3064 HG	STD	HG	4.325
P2073ASQ SS	—	—	SQ	ZD	4.080

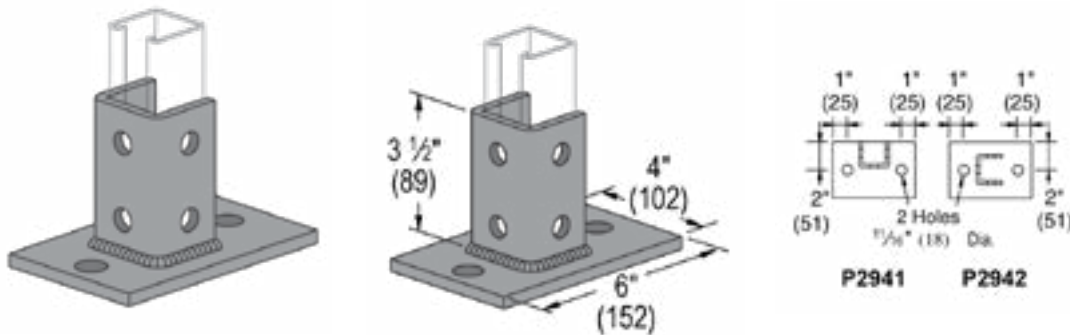
[Click brand for more product info](#)

P2941 & P2942 - Post Base (1 5/8" Series)

[Unistrut](#)

PS 3025 & PS 3025 FL - Post Base

[Power-Strut](#)



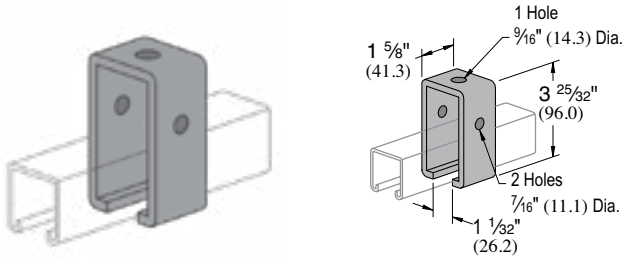
Unistrut Part Number	Power-Strut Part Number	Power-Strut Catalog Number	Finish	Product Weight per Piece (lb)
P2941 EG	720291	PS 3025 EG	EG	2.78
P2942 EG	—	—	EG	2.78
—	688511	PS 3025 FL EG	EG	2.82
P2942 HG	—	—	HG	2.95

Trolleys

P1834 - Channel Trolley Support

[Click brand for more product info](#) ↓

[Unistrut](#)

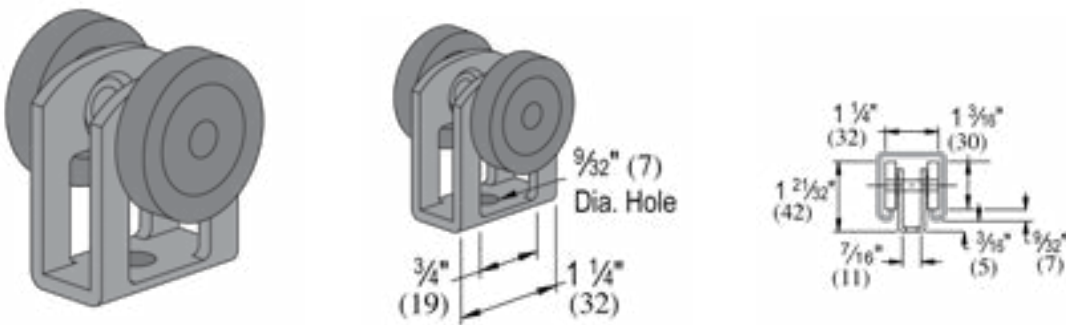


Part Number	Finish	Product Weight per Piece (lb)
P1834 EG	EG	1.02

P2749 - 2 Wheel Trolley

[Click brand for more product info](#) ↓

[Unistrut](#)



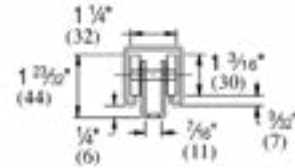
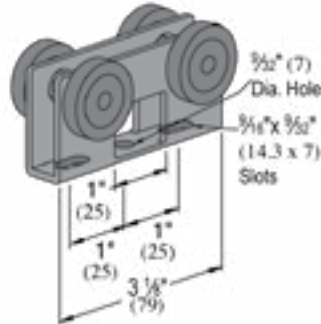
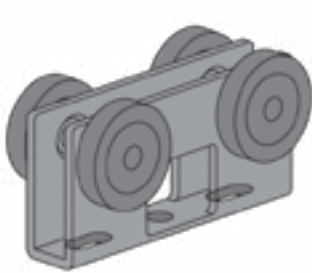
Part Number	Finish	Product Weight per Piece (lb)
P2749 EG	EG	0.21

Trolleys

[Click brand for more product info](#) ↓

P2750 - 4 Wheel Trolley

[Unistrut](#)

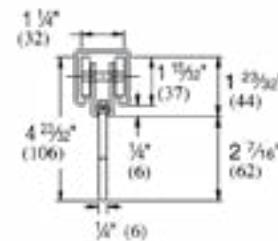
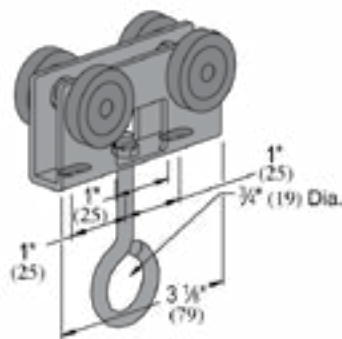


Part Number	Finish	Product Weight per Piece (lb)
P2750 EG	EG	0.55

P2751 - Loop Trolley

[Click brand for more product info](#) ↓

[Unistrut](#)



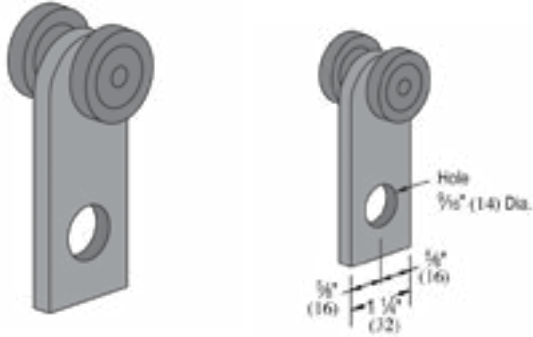
Part Number	Finish	Product Weight per Piece (lb)
P2751 EG	EG	0.63

Trolleys

[Click brand for more product info](#) ↓

P2949 - Trolleys

[Unistrut](#)

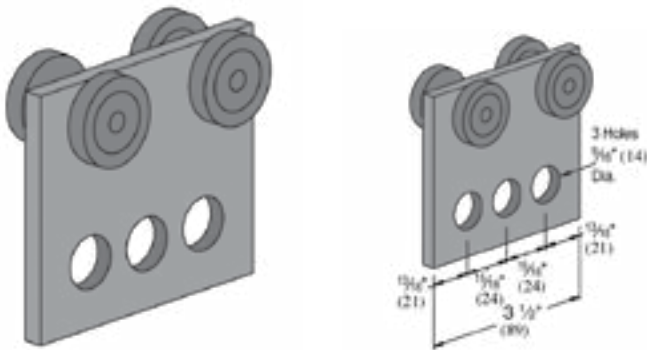


Part Number	Finish	Product Weight per Piece (lb)
P2949 EG	EG	0.46

[Click brand for more product info](#) ↓

P2950 - Trolleys

[Unistrut](#)



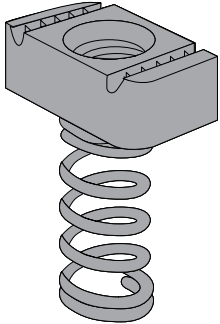
Part Number	Finish	Product Weight per Piece (lb)
P2950 EG	EG	1.10

1 ¼” Series Channel Nuts

A1006 THRU A1008 - Channel Nut w/Spring (1 ¼” Series)

[Click brand for more product info](#) ↓

[Unistrut](#)

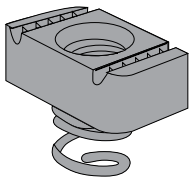


Part Number	Use With	Thread Size	Finish	Product Weight per Piece (lb)
A1007 EG	A Series Channel	5/16"-18	EG	0.06

A4006 THRU A4008 - Channel Nut w/Spring (1 ¼” Series)

[Click brand for more product info](#) ↓

[Unistrut](#)



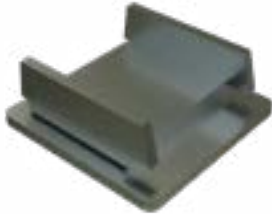
Part Number	Use With	Thread Size	Finish	Product Weight per Piece (lb)
A4006-1032 EG	A Series Channel	#10-32	EG	0.06
A4006-1420 EG	A Series Channel	1/4"-20	EG	0.05
A4007 EG	A Series Channel	5/16"-18	EG	0.05
A4008 EG	A Series Channel	3/8" -16	EG	0.05

1 ¼" Series Strut Fittings

[Click brand for more product info](#) ↓

A1280 - End Cap for A1000 (1-¼" Series)

[Unistrut](#)

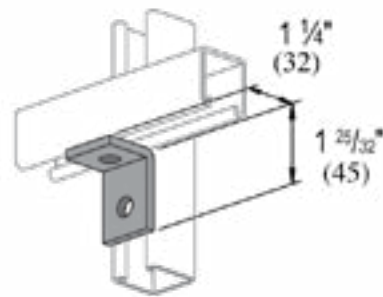
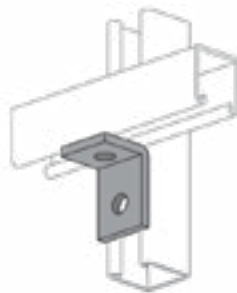


Part Number	Finish	Product Weight per Piece (lb)
A1280 EG	EG	0.07

A1068 - 2 Hole 90° Fitting (1-¼" Series)

[Click brand for more product info](#) ↓

[Unistrut](#)



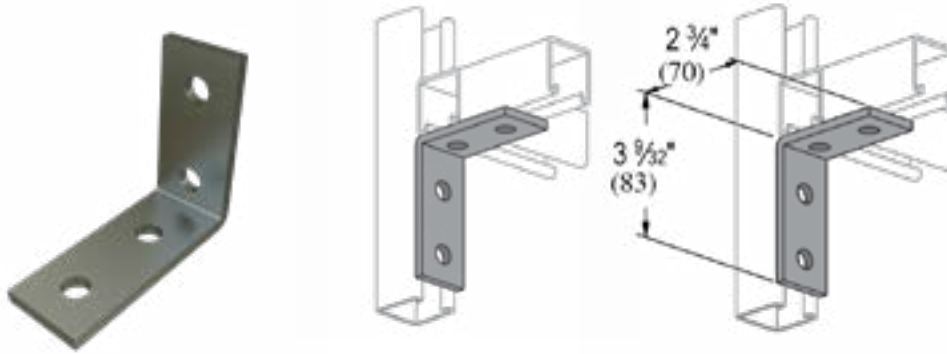
Part Number	Finish	Product Weight per Piece (lb)
A1068 GR	GR	0.17

1 ¼" Series Strut Fittings

[Click brand for more product info](#) ↓

A1325 - 4 Hole 90° Fitting (1-¼" Series)

[Unistrut](#)

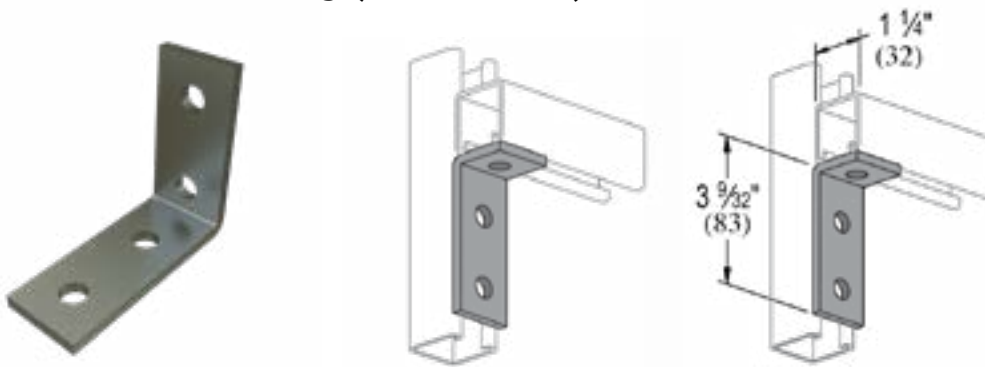


Part Number	Finish	Product Weight per Piece (lb)
A1325 GR	GR	0.40

[Click brand for more product info](#) ↓

A1326 - 3 Hole 90° Fitting (1-¼" Series)

[Unistrut](#)



Part Number	Finish	Product Weight per Piece (lb)
A1326 GR	GR	0.27

13/16" Series Channel Nuts

Click brand for more product info ↓

P7006 - Channel Nut W/Spring

[Unistrut](#)



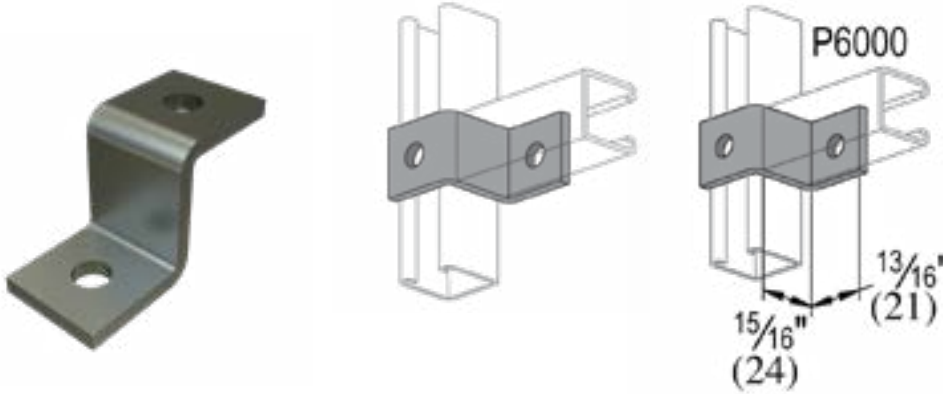
Part Number	Use With	Thread Size	Finish	Product Weight per Piece (lb)
P7006-1032EG	13/16" channel	#10-32	EG	0.01
P7006-1420EG	13/16" channel	#8-1/4	EG	0.01

13/16" Series Strut Fittings

[Click brand for more product info](#) ↓

P6347 - Fittings (13/16" Series)

[Unistrut](#)

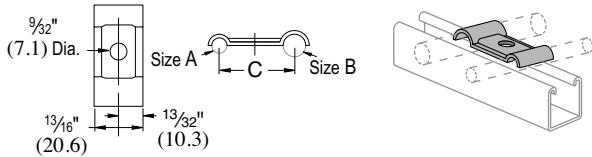


Part Number	Finish	Product Weight per Piece (lb)
P6347 EG	EG	0.07

P6805 THRU P6810 – Tubing Clips

[Click brand for more product info](#) ↓

[Power-Strut](#)
[Unistrut](#)



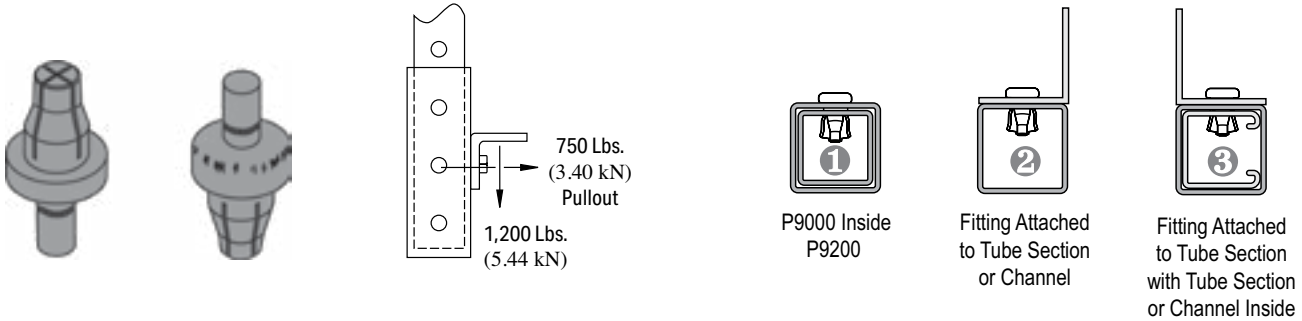
Part Number	O.D. Tube Size "A"		O.D. Tube Size "B"		"C"		Finish	Product Weight per Piece (lb)
	(in)	(mm)	(in)	(mm)	(in)	(mm)		
P6805 SS	1/4	6.4	1/4	6.4	3/4	19.1	SS	0.01

Telestrut® System

P9010 – Multi-grip Rivet

[Click brand for more product info](#) ↓

[Unistrut](#)

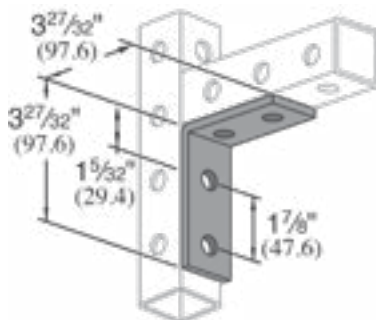


Part Number	Finish	Product Weight / Ft (lb/ft)
P9010 EG	EG	0.10

P9324 - 4 Hole, 90° Fitting

[Click brand for more product info](#) ↓

[Unistrut](#)



Part Number	Finish	Product Weight / Ft (lb/ft)
P9324 EG	EG	0.78

Index

Part Number	Page #	Part Number	Page #	Part Number	Page #
1241 (IV4020).....	212	14203.....	314	59242 (FSE10).....	215
1251 (BV4020).....	212	14752.....	357	59247 (FSC07).....	215
1311 (BV5020).....	212	15074.....	364	59260 (C05).....	205
1531 (BV2020).....	212	33715 (JBA05).....	215	59261 (C07).....	205
1541 (IV2030).....	212	33716 (JBA07).....	215	59262 (C10).....	205
1551 (BV2030).....	212	33717 (JBA10).....	215	59274 (MH20).....	218
1581 (IV3020).....	212	33718 (JBA12).....	215	59275 (MH25).....	218
1591 (BV3020).....	212	33719 (JBA15).....	215	59276 (MH30).....	218
1611 (BV3030).....	212	33720 (JBA20).....	215	59278 (MH40).....	218
1621 (IV6030).....	212	33721 (JBA25).....	215	59280 (PS05).....	219
1631 (BV6030).....	212	33722 (JBA30).....	215	59281 (PS07).....	219
1891 (IV4030).....	212	33724 (JBA40).....	215	59282 (PS10).....	219
1901 (BV4030).....	212	49625 (40SWC80).....	211	59283 (PS12).....	219
1911 (IV5030).....	212	59005 (F8020045P).....	151	59284 (PS15).....	219
1921 (BV5030).....	212	59007 (F8030045P).....	151	59285 (PS20).....	219
8102 (4005010).....	117	59009 (F8040045P).....	151	59566 (F4020030P).....	148
8103 (4007510).....	117	59012 (F8050090P).....	151	59568 (F4030030P).....	148
8104 (4010010).....	117	59013 (F8007590P).....	151	59570 (F4040030P).....	148
8105 (4012510).....	117	59014 (F8010090P).....	151	59575 (F4005045P).....	147
8106 (4015010).....	117	59015 (F8012590P).....	151	59576 (F4007545P).....	147
8108 (4020010).....	117	59016 (F8015090P).....	151	59577 (F4010045P).....	147
8110 (4025010).....	117	59017 (F8020090P).....	151	59578 (F4012545P).....	147
8112 (4030010).....	117	59018 (F8025090P).....	151	59579 (F4015045P).....	147
8114 (4035010).....	117	59019 (F8030090P).....	151	59580 (F4020045P).....	147
8116 (4040010).....	117	59021 (F8040090P).....	151	59581 (F4025045P).....	147
8120 (4050010).....	117	59023 (F8060090P).....	151	59582 (F4030045P).....	147
8124 (4060010).....	117	59072 (F8040030P).....	151	59583 (F4035045P).....	147
8503 (4007520).....	117	59125 (EC20).....	214	59584 (F4040045P).....	147
8504 (4010020).....	117	59126 (EC25).....	214	59585 (F4050045P).....	147
8505 (4012520).....	117	59127 (EC30).....	214	59586 (F4060045P).....	147
8506 (4015020).....	117	59128 (EC40).....	214	59588 (F4005090P).....	147
8508 (4020020).....	117	59129 (EC50).....	214	59589 (F4007590P).....	147
8510 (4025020).....	117	59130 (EC60).....	214	59590 (F4010090P).....	147
8512 (4030020).....	117	59131 (EC35).....	214	59591 (F4012590P).....	147
8516 (4040020).....	117	59194 (MO20).....	216	59592 (F4015090P).....	147
8520 (4050020).....	117	59200 (LB05).....	205	59593 (F4020090P).....	147
8524 (4060020).....	117	59201 (LB07).....	205	59594 (F4025090P).....	147
9302 (8005010).....	119	59202 (LB10).....	205	59595 (F4030090P).....	147
9303 (8007510).....	119	59203 (LB12).....	205	59596 (F4035090P).....	147
9304 (8010010).....	119	59204 (LB15).....	205	59597 (F4040090P).....	147
9305 (8012510).....	119	59205 (LB20).....	205	59598 (F4050090P).....	147
9306 (8015010).....	119	59206 (LB25).....	205	59599 (F4060090P).....	147
9308 (8020010).....	119	59207 (LB30).....	205	59601 (CP05).....	208
9310 (8025010).....	119	59209 (LB40).....	205	59602 (CP07).....	208
9312 (8030010).....	119	59215 (LL20).....	205	59603 (CP10).....	208
9316 (8040010).....	119	59230 (T05).....	205	59604 (CP12).....	208
9320 (8050010).....	119	59231 (T07).....	205	59605 (CP15).....	208
9324 (8060010).....	119	59232 (T10).....	205	59606 (CP20).....	208
9508 (8020020).....	119	59233 (T12).....	205	59607 (CP25).....	208
9512 (8030020).....	119	59234 (T15).....	205	59608 (CP30).....	208
9516 (8040020).....	119	59235 (T20).....	205	59609 (CP35).....	208
13669.....	314	59241 (FSE07).....	215	59610 (CP40).....	208

Index

Part Number	Page #	Part Number	Page #	Part Number	Page #
59611 (CP50).....	208	59706 (F403009018P).....	150	126524 (4060010COR).....	118
59612 (CP60).....	208	59708 (F401009024P).....	150	126525 (4060020COR).....	118
59615 (TA05).....	206	59711 (F402009024P).....	150	184131.....	319
59616 (TA07).....	206	59712 (F402509024P).....	150	191092.....	89
59617 (TA10).....	206	59713 (F403009024P).....	150	191093.....	89
59618 (TA12).....	206	59715 (F404009024P).....	150	191094.....	89
59619 (TA15).....	206	59727 (F401009036P).....	150	191103.....	89
59620 (TA20).....	206	59729 (F401509036P).....	150	191104.....	89
59621 (TA25).....	206	59730 (F402009036P).....	150	191113.....	89
59622 (TA30).....	206	59731 (F402509036P).....	150	191114.....	89
59623 (TA35).....	206	59732 (F403009036P).....	150	191123.....	89
59624 (TA40).....	206	59733 (F403509036P).....	150	191124.....	89
59625 (TA50).....	206	59734 (F404009036P).....	150	191133.....	89
59626 (TA60).....	206	59735 (F405009036P).....	150	191134.....	89
59627 (TA80).....	206	59736 (F406009036P).....	150	191142.....	89
59630 (FA05).....	206	59741 (F402009048P).....	150	191143.....	89
59631 (FA07).....	206	59743 (F403009048P).....	150	191144.....	89
59632 (FA10).....	206	59745 (F404009048P).....	150	191152.....	89
59633 (FA12).....	206	59746 (F405009048P).....	150	191153.....	89
59634 (FA15).....	206	59747 (F406009048P).....	150	191154.....	89
59635 (FA20).....	206	59759 (F402004524P).....	150	191163.....	89
59636 (FA25).....	206	59782 (F404004536P).....	150	191164.....	89
59637 (FA30).....	206	59784 (F406004536P).....	150	192825.....	86
59638 (FA35).....	206	59884 (F406002236P).....	150	192827.....	86
59639 (FA40).....	206	59897 (MR0705).....	217	192828.....	86
59640 (FA50).....	206	59903 (MR1512).....	217	192829.....	86
59641 (FA60).....	206	59905 (MR2015).....	217	192830.....	86
59642 (FA80).....	206	59908 (MR4030).....	217	192831.....	86
59645 (EC05).....	214	101576.....	85	192832.....	86
59646 (EC07).....	214	101584.....	85	192833.....	86
59647 (EC10).....	214	101592.....	85	193196.....	288
59648 (EC12).....	214	101600.....	85	193325.....	288
59649 (EC15).....	214	101618.....	85	193326.....	288
59651 (UTP20).....	217	101782.....	85	193327.....	288
59653 (UTP30).....	217	101790.....	85	193395.....	288
59655 (UTP40).....	217	118183 (F403009024LB).....	149	193396.....	288
59656 (UTP50).....	217	119284.....	161	210901.....	298
59657 (UTP60).....	217	119293.....	161	267281.....	313
59673 (MEB05).....	213	119302.....	161	267301.....	313
59674 (MEB07).....	213	119311.....	161	267311.....	313
59675 (MEB10).....	213	119320.....	161	267401.....	313
59676 (MEB12).....	213	119329.....	161	267421.....	313
59677 (MEB15).....	213	119338.....	161	267431.....	313
59678 (MEB20).....	213	119345.....	161	268701.....	313
59679 (MEB25).....	213	119358.....	161	268711.....	313
59680 (MEB30).....	213	126516 (4030010COR).....	118	268721.....	313
59681 (MEB35).....	213	126517 (4030020COR).....	118	278879.....	97
59682 (MEB40).....	213	126518 (4035010COR).....	118	278887.....	97
59683 (MEB50).....	213	126520 (4040010COR).....	118	278895.....	97
59684 (MEB60).....	213	126521 (4040020COR).....	118	278903.....	97
59685 (MEB80).....	213	126522 (4050010COR).....	118	278911.....	97
59704 (F402009018P).....	150	126523 (4050020COR).....	118	278929.....	97

Index

Part Number	Page #	Part Number	Page #	Part Number	Page #
278937	97	610670	280	717462	357
278945	97	688511	365	717471	357
278952	97	688954	359	717472	357
278960	97	688955	359	717481	357
278978	97	697305	325	717482	357
278986	97	699443 (PS 030N EG)	363	717491	357
304084	356	700357	364	717501	357
304151	356	703367	271	717511	357
358051	101	710839	309	717521	357
358069	101	710840	309	717611	359
358101	101	713210	356	717621	359
358119	101	713220	356	717631	359
358143	101	713250	357	717641	359
358150	101	713260	357	717651	359
358168	101	713270	357	717661	359
358176	101	713290	357	719361	323
358184	101	713331	358	719371	331
358192	101	713341	358	719401	336
363242	87	713351	358	719431	333
363259	87	713361	358	719501	301
363275	87	713371	358	719521	301
529453	271	713381	358	719581	302
597152 (F803009024P)	152	713845	288	719591	302
597153 (F804009024P)	152	713846	288	720291	365
597391 (F802509036P)	152	714060	356	720321	331
597392 (F803009036P)	152	714070	356	720351	334
597393 (F804009036P)	152	714090	356	720641	338
597394 (F802009036P)	152	714100	357	720701	323
597395 (F805009036P)	152	714140	357	720714	340
597492 (F804009048P)	152	715501	295	720721	322
597824 (F805004536P)	152	715502	295	720781	345
600144	278	715503	295	720881	314
600204	269	715511	295	720891	314
600304	269	715751	310	720892	314
600364	271	715981	289	720901	314
600634	280	716261	286	720911	314
610144	278	716271	286	721324	308
610202	269	716281	286	723180	356
610204	269	716291	287	723190	356
610206	269	716301	287	723210	356
610280	269	716551	355	723220	357
610294	269	717411	356	723240	357
610302	269	717412	356	725840	286
610304	269	717421	356	725860	286
610306	269	717422	356	725880	287
610310	269	717431	356	726600	286
610362	271	717432	356	726603	356
610364	271	717441	356	728651	289
610604	280	717442	356	728661	289
610632	280	717451	356	731061	339
610634	280	717452	356	732035	83
610636	280	717461	357	732036	83

Index

Part Number	Page #	Part Number	Page #	Part Number	Page #
732302.....	83	782041.....	359	810100.....	269
732303.....	83	782051.....	359	810150.....	269
732304.....	83	782061.....	359	811621.....	318
732305.....	83	782071.....	359	811811.....	318
732306.....	83	782111.....	356	811911.....	318
732307.....	83	782121.....	356	813087 (PRMC20).....	207
732308.....	83	782131.....	356	813682 (F4060022P).....	148
732309.....	83	782141.....	356	815038 (F4040022P).....	148
732310.....	83	782151.....	357	815620.....	309
732311.....	83	782161.....	357	815630.....	309
732323.....	160	782171.....	357	817088 (F404009048).....	149
732324.....	160	782181.....	357	817089 (F404004548).....	149
732325.....	160	782191.....	357	827790 (F4020022P).....	148
732326.....	160	782201.....	357	828633 (F404009060P).....	150
732327.....	160	782401.....	358	844776.....	87
732328.....	160	782411.....	358	852976.....	319
732329.....	160	782421.....	358	852977.....	319
732330.....	160	782431.....	358	862293 (F404009036).....	149
732331.....	160	782441.....	358	862294 (F402009036).....	149
732332.....	160	782451.....	358	862295 (F402009024).....	149
732333.....	160	789647 (EJ07).....	209	864375 (F404004524).....	149
732334.....	160	789648 (EJ10).....	209	864955 (F401009024).....	149
732340.....	126	789649 (EJ12).....	209	864956 (F402509024).....	149
732341.....	126	789650 (EJ15).....	209	864957 (F404009024).....	149
732342.....	126	789651 (EJ20).....	209	865575 (F403009024).....	149
732343.....	126	789652 (EJ25).....	209	865576 (F403009036).....	149
732344.....	126	789653 (EJ30).....	209	866005.....	313
732345.....	126	789655 (EJ40).....	209	866007.....	313
732346.....	126	789656 (EJ50).....	209	866009.....	313
732347.....	126	789657 (EJ60).....	209	866990 (F404004536).....	149
732349.....	126	798983 (F4030022P).....	148	868000 (F402004524).....	149
732352.....	126	802740 (MR1510).....	217	869622.....	127
738906.....	325	802743 (MR3020).....	217	870397 (F403004536).....	149
750111.....	294	802752 (F4005090).....	147	870686 (F402009018).....	149
750112.....	294	802753 (F4007590).....	147	873477 (F402509036).....	149
750321.....	321	802754 (F4010090).....	147	873478 (F402002236).....	149
750381.....	321	802755 (F4012590).....	147	873695 (F406009048).....	149
750521.....	334	802756 (F4015090).....	147	874877.....	299
750541.....	322	802757 (F4020090).....	147	874878.....	299
750871.....	333	802758 (F4025090).....	147	875028 (F403002236).....	149
750872.....	333	802759 (F4030090).....	147	875754 (F406009036).....	149
750961.....	343	802762 (F4040090).....	147	876600.....	186
751051.....	339	802763 (F4050090).....	147	876601.....	186
751631.....	342	802764 (F4060090).....	147	876602.....	186
752381.....	365	802768 (F4010045).....	147	876603.....	186
752382.....	365	802771 (F4020045).....	147	876604.....	186
752387.....	365	802772 (F4025045).....	147	876606.....	186
752401.....	364	802773 (F4030045).....	147	876608.....	186
752407.....	364	802775 (F4040045).....	147	876610.....	186
765090.....	87	802777 (F4060045).....	147	876612.....	186
782021.....	359	805916 (F802009024P).....	152	876614.....	186
782031.....	359	809249 (F806009036P).....	152	876616.....	186

Index

Part Number	Page #	Part Number	Page #	Part Number	Page #
876617	186	876704	188	876896	143
876618	186	876706	188	876897	143
876619	186	876710	188	876956	144
876620	186	876711	188	876965	144
876621	186	876714	188	877008	129
876622	186	876716	188	877009	129
876623	186	876718	188	877010	129
876625	186	876720	188	877011	129
876626	186	876722	188	877012	129
876627	186	876724	188	877013	129
876629	186	876725	188	877014	129
876631	186	876730	188	877015	129
876633	186	876736	188	877016	129
876634	187	876737	188	877017	129
876635	187	876738	188	877020	130
876636	187	876742	188	877021	130
876637	187	876744	188	877022	130
876639	187	876746	188	877023	130
876641	187	876748	188	877024	130
876643	187	876769	140	877025	130
876645	187	876770	140	877026	130
876647	187	876771	140	877027	130
876649	187	876772	140	877031	131
876650	187	876773	140	877032	131
876651	187	876774	140	877033	131
876653	187	876775	140	877034	131
876655	187	876776	140	877035	131
876657	187	876777	140	877036	131
876659	187	876778	140	877037	131
876661	187	876779	140	877042	132
876665	187	876780	140	877043	132
876666	187	876783	141	877044	132
876667	187	876784	141	877045	132
876669	187	876785	141	877052	133
876671	187	876786	141	877053	133
876673	187	876787	141	877054	133
876675	187	876788	141	877055	133
876677	187	876790	141	877056	133
876681	187	876792	141	877057	133
876682	187	876800	142	877092	134
876683	187	876834	143	877860	299
876684	187	876848	143	877861	299
876686	187	876856	143	878925 (F403004524)	149
876688	187	876858	143	878940 (F403509036)	149
876690	187	876871	143	878942 (F406004536)	149
876691	187	876873	143	878943 (F402009048)	149
876692	187	876883	143	878951 (F406004548)	149
876694	187	876885	143	878982 (F403009030)	149
876696	187	876887	143	880747 (4080010)	117
876697	188	876890	143	882767 (F403002224)	149
876698	188	876892	143	882795 (F406002236)	149
876700	188	876894	143	894493 (F408009048P)	150

Index

Part Number	Page #	Part Number	Page #	Part Number	Page #
894494 (F408004548P).....	150	924910 (F408009048).....	149	1504G42-00.....	9
895092 (CEMC20).....	207	924970 (F8020090).....	151	1505G42-00.....	9
895124 (40SWC20).....	211	924993 (F8030090).....	151	160-021.....	114
895126 (40SWC30).....	211	925082 (JB12124).....	216	1705B42T80.....	40
895127 (40SWC40).....	211	925083 (JB12126).....	216	1705B42T84.....	40
895129 (40SWC60).....	211	925084 (JB12128).....	216	1705B42T85.....	40
898302.....	85	925085 (JB442).....	216	1706B42T00.....	39
898303.....	85	925086 (JB444).....	216	1707B42T00.....	39
898304.....	85	925087 (JB446).....	216	1708B42T00.....	39
904144.....	185	925088 (JB552).....	216	1709B42T00.....	39
904145.....	185	925089 (JB664).....	216	1759B42T80.....	40
904146.....	185	925090 (JB666).....	216	17KON.....	254
904147.....	185	925091 (JB884).....	216	18BG-42-L00.....	52
904148.....	185	925092 (JB887).....	216	18BG-42-L01.....	52
904149.....	185	925111 (LLC20).....	210	18BG-60-L00.....	52
904150.....	185	925112 (LLC25).....	210	18BMB42TL00.....	57
904151.....	185	925113 (LLC30).....	210	18SI-42-L00.....	52
904152.....	185	925114 (LLC40).....	210	1901-60-00.....	26
904153.....	185	925116 (LLC60).....	210	1902-60-00.....	26
904154.....	185	925118 (PRMP20).....	207	1905-60-00.....	26
904155.....	185	925140 (VSC 15/10).....	211	20P-2000.....	78
905637.....	102	925358 (CEMG20).....	207	20P-2000-SST.....	79
908942.....	187	925744 (WTG 15/10).....	211	20P-2200.....	78
921353.....	98	926038 (CLN20).....	207	20P-2200-SST.....	79
921354.....	98	926051 (CEMCR20).....	207	2101S42-00.....	18
921355.....	98	926055 (CWC20).....	207	2102S42-00.....	18
921357.....	98	004T008 EG.....	363	2105S42-80.....	23
921359.....	98	006T010 EG.....	363	2105S60-80.....	23
921361.....	98	006T010 SS.....	363	2106S42-00.....	18
921364.....	98	008T012 EG.....	363	2106S42-01.....	18
922269 (F402009024LB).....	149	008T012 SS.....	363	2106S60-00.....	18
922270 (F402009036LB).....	149	010T014 EG.....	363	2106S60-01.....	18
924024 (8035010).....	119	012T016 EG.....	363	2107-42-00.....	19
924065 (EJ-120).....	209	014N018 EG.....	363	2107-42-01.....	20
924069 (40SWC12).....	211	014T018 EG.....	363	2107-60-00.....	19
924072 (40REC20).....	210	016T020 EG.....	363	2107-60-01.....	20
924074 (40REC30).....	210	016T020 SS.....	363	2107-60-03.....	20
924076 (40REC40).....	210	017N022 EG.....	363	2108-42-00.....	19
924077 (40REC50).....	210	018T022 EG.....	363	2108-42-01.....	20
924078 (40REC60).....	210	018T022 SS.....	363	2108-60-00.....	19
924082 (MTR40200).....	218	021N026 EG.....	363	2109-42-00.....	19
924083 (MTR40250).....	218	024N028 SS.....	363	2109-42-01.....	20
924084 (MTR40300).....	218	030N034 EG.....	363	2109-60-00.....	19
924085 (MTR40400).....	218	032N036 EG.....	363	2109-60-01.....	20
924178 (40SW3025*).....	219	038N044 EG.....	363	2115-40-00.....	22
924350 (405EC40BS).....	208	10-2030R24-PVC.....	138	2115-40-01.....	22
924366 (40SW3020).....	219	10-3030R36-PVC.....	138	2115-45-00.....	22
924576 (CP80).....	208	10-4030R36-PVC.....	138	2115-60-00.....	22
924585 (EC80).....	214	10-6030R36-PVC.....	138	2116-40-00.....	22
924826 (F4040022).....	148	10-6030R48-PVC.....	138	2116-45-00.....	22
924905 (F406009060P).....	150	10-6030R60-PVC.....	138	2116-60-00.....	22
924909 (F408004548).....	149	10-6032R48-PVC.....	138	2117-32-00.....	22

Index

Part Number	Page #	Part Number	Page #	Part Number	Page #
2119-32-00	22	3659-42-700	29	5607-22-00	93
2119-45-00	22	3659-60-700	29	5607-30-00	93
2119-60-00	22	3904-42-00	27	5607-35-00	93
2120-32-00	22	3904-60-00	27	5608-22-00	93
2120-45-00	22	3905-42-00	27	5609-22-00	93
2120-60-00	22	3905-60-00	27	5609-30-00	93
2124-45-00	22	3905-60-01	27	5610-22-00	93
2124-60-00	22	3907-42-00	27	5611-22-00	93
2160S42-00	18	3907-60-00	27	5611-30-00	93
2161-42-00	19	3908-42-00	27	58-02CH-SS	68
2161-60-00	19	3908-60-00	27	5804-42-00	45
2162-42-00	19	5203-30-00	91	5804-60-00	45
2163-42-00	19	5204-30-00	91	5805-42-00	45
2304-42-00	32	5501-30-00	94	5858-42-00	45
2304-42-01	32	5502-24-00	94	6002-30-00	113
2304-60-01	32	5502-30-00	94	6002-45-00	113
2305-42-00	32	5502-45-00	94	6002-60-00	113
2305-60-00	32	5502-60-00	94	6003-30-00	113
2306-42-00	32	5503-24-00	94	6003-45-00	113
2306-42-01	32	5503-30-00	94	6003-46-00	113
2306-60-00	32	5503-45-00	94	6003-60-00	113
2307-60-00	32	5503-60-00	94	6004-30-00	113
2308-42-00	32	5504-24-00	94	6004-45-00	113
2804g42	32	5504-80-00	94	6005-24-00	113
2804G42-00	11	5505-24-00	94	6005-30-00	113
2804G42-01	11	5505-40-00	94	6006-24-00	113
2804G42-04	11	5506-22-00	94	6006-35-00	113
2804G42-05	11	5506-80-00	95	6007-24-00	113
2804G60-00	11	5507-22-00	95	6007-30-00	113
2805G42-00	11	5507-35-00	95	6101-30-00	106
2858G42-00	11	5508-22-00	95	6102-30-00	106
2859G42-00	11	5509-22-00	95	6102-45-00	106
2911-42-00	34	5509-30-00	95	6102-60-00	106
2911-60-00	34	5510-22-00	95	6103-30-00	106
2916-42-00	34	5510-30-00	95	6103-45-00	106
2918-42-00	34	5511-22-00	95	6103-60-00	106
2918-60-00	34	5511-30-00	95	6104-30-00	106
3101Z60-00	42	5601-30-00	92	6104-41-00	106
3104Z42-00	42	5602-24-00	92	6105-24-00	106
3104Z60-00	42	5602-30-00	92	6105-40-00	106
3105Z42-00	42	5602-45-00	92	6106-24-00	106
3158Z42-00	43	5602-60-00	92	6106-35-00	106
3159Z42-00	43	5603-24-00	92	6107-24-00	106
3160Z42-00	43	5603-30-00	92	6107-30-00	106
3604-42-700	29	5603-45-00	92	6107-80-00	106
3604-60-700	29	5603-60-00	92	6108-22-00	106
3605-42-700	29	5604-24-00	92	6108-79-00	106
3605-60-700	29	5604-80-00	92	6109-22-00	106
3608-42-700	29	5605-24-00	92	6109-30-00	106
3608-60-700	29	5605-40-00	92	6110-22-00	106
3614-60-700	29	5606-22-00	92	6120-22-00	106
3658-42-700	29	5606-80-00	92	6201-30-00	111

Index

Part Number	Page #	Part Number	Page #	Part Number	Page #
6201-60-00	111	A058-60-00	17	CC350RKON	166
6202-30-00	111	A059-42-00	17	CC400-ICRKON	166
6202-30-BK	111	A059-60-00	17	CC400RKON	166
6202-45-00	111	A1007 EG	369	CC50-ICRKON	166
6202-60-00	111	A1068 GR	370	CC50RKON	166
6202-60-BK	111	A1280 EG	370	CC75-ICRKON	166
6203-30-00	111	A1325 GR	371	CC75RKON	166
6203-45-00	111	A1326 GR	371	CCR-100KON	169
6203-60-00	111	A4006-1032EG	369	CCR-125KON	169
6203-60-BK	111	A4006-1420EG	369	CCR-150KON	169
6204-30-00	111	A4007 EG	369	CCR-200KON	169
6204-41-00	111	A4008 EG	369	CCR-250KON	169
6205-24-00	111	AC1CGKON	180	CCR-300KON	169
6205-40-00	111	AC2CGKON	180	CCR-350KON	169
6206-24-00	111	AC3CGKON	180	CCR-400KON	169
6206-35-00	111	AL04-42-L00	48	CCR-50KON	169
6207-24-00	111	AL04-42-L01	48	CCR-75KON	169
6207-80-00	111	AL04-42-L02	48	CCR100-ICKON	169
6208-22-00	111	AL04-42-L03	48	CCR200-ICKON	169
6209-22-00	111	AL04-42-L04	48	CCR300-ICKON	169
6209-30-00	111	AL04-42-L05	48	CCR400-ICKON	169
6209-56-00	111	AL04-60-L00	48	CCR50-ICKON	169
6210-22-00	111	AL04-60-L01	48	CCR75-ICKON	169
6210-30-00	111	AL04-60-L02	48	CH1	70
6220-22-00	111	AL04-60-L03	48	CH2	70
6402-30-00	109	AL58-42-L00	48	CH3	70
6802-30-00	104	AL58-60-L00	48	CK100RKON	167
6803-30-00	104	ALB1CGKON	181	CK125RKON	167
7504-42-00	45	ALB2CGKON	181	CK150RKON	167
7504-42-04	45	ALB3CGKON	181	CK200RKON	167
7504-42-05	45	ALB4CGKON	181	CK250RKON	167
A004-42-00	17	ALB5CGKON	181	CK300RKON	167
A004-42-01	17	ALB6CGKON	181	CK350RKON	167
A004-42-02	17	ALB7CGKON	181	CK400RKON	167
A004-42-03	17	ALB8CGKON	181	CK50RKON	167
A004-42-04	17	ALL2CGKON	182	CK75RKON	167
A004-42-05	17	AT1CGKON	183	CKR-100KON	170
A004-60-00	17	AT2CGKON	183	CKR-125KON	170
A004-60-01	17	BOTTOM-CLIP	71	CKR-150KON	170
A004-60-02	17	CC100-ICRKON	166	CKR-200KON	170
A004-60-03	17	CC100RKON	166	CKR-250KON	170
A004-60-04	17	CC125-ICRKON	166	CKR-300KON	170
A004-60-05	17	CC125RKON	166	CKR-350KON	170
A005-42-00	17	CC150-ICRKON	166	CKR-400KON	170
A005-42-01	17	CC150RKON	166	CKR-50KON	170
A005-42-02	17	CC200-ICRKON	166	CKR-75KON	170
A005-42-03	17	CC200RKON	166	CSSC-100KON	165
A005-42-04	17	CC250-ICRKON	166	CSSC-50KON	165
A005-60-00	17	CC250RKON	166	CSSC-75KON	165
A005-60-01	17	CC300-ICRKON	166	EC250KON	255
A058-42-00	17	CC300RKON	166	EC400KON	255
A058-42-01	17	CC350-ICRKON	166	EG-CBN	71

Index

Part Number	Page #	Part Number	Page #	Part Number	Page #
EGL-EMT-CLIP.....	68	HLKW037 DF.....	316	LTQ75KON.....	197
EGL-GC.....	71	HLKW037 EG.....	316	M2350 EG.....	312
EGL-MSB-18.....	73	HLKW050 EG.....	316	MC04-42-L00.....	56
EGL-SIDE-DRC.....	72	HRCN050 EG.....	319	MSC125KON.....	177
EGL-STRUT-CLIP.....	73	HSQN050 EG.....	316	MSC50KON.....	177
EGL-VERT-KIT.....	68	HTHR025 10EG.....	313	MSC7590KON.....	178
EGL2-01SB-120.....	72	HTHR025 12EG.....	313	MSC75KON.....	177
EGL2-02SL-120.....	66	HTHR037 06EG.....	313	MSCD125KON.....	163
EGL2-04SL-120.....	66	HTHR037 10EG.....	313	MSCD50KON.....	163
EGL2-06SL-120.....	66	HTHR037 12EG.....	313	MSCD75KON.....	163
EGL2-08SL-120.....	66	HTHR050 10EG.....	313	N200KON.....	251
EGL2-12SL-120.....	66	HTHR050 12EG.....	313	N400-ICKON.....	251
EGL4-01SB-120.....	72	K1062 EG.....	319	N400KON.....	251
EGL4-04SL-120.....	66	K1064 EG.....	319	N75KON.....	251
EGL4-06SL-120.....	66	LH04-42-L00.....	54	NMLT-100KON.....	198
EGL4-08SL-120.....	66	LH04-60-L00.....	54	NMLT-125KON.....	198
EGL4-12SL-120.....	66	LH58-42-L00.....	54	NMLT-150KON.....	198
EGL4-18SL-120.....	66	LT25090KON.....	195	NMLT-200KON.....	198
EGL4-24SL-120.....	66	LT250KON.....	197	NMLT-50KON.....	198
EGL6-01SB-120.....	72	LT30090KON.....	195	NMLT-75KON.....	198
EGL6-06SL-120.....	67	LT300KON.....	197	NMLT-90100KON.....	192
EGL6-12SL-120.....	67	LT350KON.....	197	NMLT-90125KON.....	192
EGL6-24SL-120.....	67	LT400-ICKON.....	197	NMLT-90150KON.....	192
ERC100KON.....	168	LT40045ALKON.....	191	NMLT-90200KON.....	192
HCS1KON.....	201	LT40090KON.....	195	NMLT-9050KON.....	192
HFLW025 EG.....	317	LT400ALKON.....	199	NMLT-9075KON.....	192
HFLW037 DF.....	317	LT400KON.....	197	P1000 10EA.....	268
HFLW037 EG.....	317	LTQ100-ICKON.....	197	P1000 10HG.....	268
HFLW050 DF.....	317	LTQ10090-ICKON.....	195	P1000 10PG.....	268
HFLW050 EG.....	317	LTQ10090KON.....	195	P1000 10SS.....	268
HFLW075 EG.....	317	LTQ100KON.....	197	P1000 20HG.....	268
HHCS025075EG.....	318	LTQ125-ICKON.....	197	P1000 20PG.....	268
HHCS025100EG.....	318	LTQ12590-ICKON.....	195	P1000 20PL.....	268
HHCS025150EG.....	318	LTQ12590KON.....	195	P1000 20SS.....	268
HHCS031125EG.....	318	LTQ125KON.....	197	P1000HS 10PG.....	268
HHCS037075EG.....	318	LTQ150-ICKON.....	197	P1000SL 10GR.....	268
HHCS037087EG.....	318	LTQ15090-ICKON.....	195	P1000SL 20PG.....	268
HHCS037100EG.....	318	LTQ15090KON.....	195	P1000T 10EA.....	268
HHCS037100SS.....	318	LTQ150KON.....	197	P1000T 10GR.....	268
HHCS037125EG.....	318	LTQ200-ICKON.....	197	P1000T 10HG.....	268
HHCS037150DF.....	318	LTQ20090-ICKON.....	195	P1000T 10PG.....	268
HHCS037150EG.....	318	LTQ20090KON.....	195	P1000T 10SS.....	268
HHCS050094EG.....	318	LTQ200KON.....	197	P1000T 10ST.....	268
HHCS050119EG.....	318	LTQ50-ICKON.....	197	P1000T 20GR.....	268
HHCS050125EG.....	318	LTQ5045KON.....	193	P1000T 20HG.....	268
HHCS050150DF.....	318	LTQ5090-ICKON.....	195	P1000T 20PG.....	268
HHCS050150EG.....	318	LTQ5090KON.....	195	P1000T 20SS.....	268
HHXN025 EG.....	318	LTQ50KON.....	197	P1001 10EA.....	270
HHXN037 EG.....	318	LTQ75-ICKON.....	197	P1001 10HG.....	270
HHXN050 EG.....	318	LTQ7545KON.....	193	P1001 10PG.....	270
HHXN075 EG.....	318	LTQ7590-ICKON.....	195	P1001 10SS.....	270
HLKW025 EG.....	316	LTQ7590KON.....	195	P1001 20PG.....	270

Index

Part Number	Page #	Part Number	Page #	Part Number	Page #
P1001A 20PG	272	P1047 EG	345	P1115T AL	356
P1001A 20PL	272	P1047 HG	345	P1117 AL	357
P1001T 10GR	270	P1062 DF	314	P1117 EG	357
P1001T 10HG	270	P1062 EG	314	P1117 HG	357
P1001T 10PG	270	P1062 HG	314	P1117 SS	357
P1001T 10SS	270	P1062 SS	314	P1117 ST	357
P1001T 20GR	270	P1063 EG	314	P1117AS EG	357
P1001T 20PG	270	P1063 HG	314	P1118 AL	357
P1006-0832EG	286	P1063 SS	314	P1118 EG	357
P1006-1024EG	286	P1064 EG	314	P1118 HG	357
P1006-1024SS	286	P1064 HG	314	P1118AS EG	357
P1006-1420EG	286	P1064 SS	314	P1119 AL	357
P1006-1420HG	286	P1064 ST	314	P1119 EG	357
P1006-1420SS	286	P1065 EG	322	P1119 HG	357
P1006M6 EG	286	P1065 HG	322	P1119 SS	357
P1006T1420EG	288	P1066 EG	323	P1119 ST	357
P1006TIM1420EG	288	P1067 EG	323	P1119AS EG	357
P1006TUS1420EG	288	P1067 HG	323	P1120 EG	357
P1006U1420SS	286	P1068 EG	331	P1120 HG	357
P1007 EG	286	P1068 HG	331	P1120AS EG	357
P1007 SS	286	P1075 EG	300	P1121 EG	357
P1007M8 EG	286	P1075 HG	300	P1121 HG	357
P1008 DF	286	P1100T 10PG	278	P1121 SS	357
P1008 EG	286	P1109 SS	356	P1121AS EG	357
P1008 HG	286	P1111 EG	356	P1123 EG	357
P1008 SS	286	P1111 HG	356	P1123AS EG	357
P1008M10 EG	286	P1111 SS	356	P1124 EG	357
P1008T EG	288	P1111AS EG	356	P1124AS EG	357
P1008TIM EG	288	P1112 AL	356	P1126 EG	357
P1008TU SS	288	P1112 EG	356	P1126 HG	357
P1008TUS EG	288	P1112 HG	356	P1186 EG	339
P1008U SS	286	P1112 SS	356	P1211 EG	358
P1009 EG	287	P1112 ST	356	P1211AS EG	358
P1010 EG	287	P1112AS EG	356	P1212 EG	358
P1010 HG	287	P1112T AL	356	P1212AS EG	358
P1010 SS	287	P1113 AL	356	P1213 EG	358
P1010M12 EG	287	P1113 EG	356	P1213AS EG	358
P1010TUS EG	288	P1113 HG	356	P1214 EG	358
P1010U SS	287	P1113 SS	356	P1214AS EG	358
P1012S EG	288	P1113 ST	356	P1215 EG	358
P1026 EG	331	P1113AS EG	356	P1215AS EG	358
P1026 HG	331	P1114 AL	356	P1217 EG	358
P1026 SS	331	P1114 EG	356	P1217 SS	358
P1028 EG	321	P1114 HG	356	P1217AS EG	358
P1031 EG	321	P1114 SS	356	P1271S EG	291
P1031 HG	321	P1114AS EG	356	P1280 EG	306
P1031 SS	321	P1115 AL	356	P1291 EG	332
P1036 EG	322	P1115 EG	356	P1315 EG	332
P1036 HG	322	P1115 HG	356	P1325 EG	333
P1036 SS	322	P1115 SS	356	P1325 GR	333
P1045 EG	344	P1115 ST	356	P1325 HG	333
P1046A EG	349	P1115AS EG	357	P1325 SS	333

Index

Part Number	Page #	Part Number	Page #	Part Number	Page #
P1325 ST	333	P1789B EV	293	P2341L EG	352
P1326 EG	334	P1789C EV	293	P2341R EG	352
P1326 SS	334	P1791 EV	293	P2343L EG	353
P1334 EG	324	P1791A EV	293	P2344L EG	353
P1346 EG	334	P1791B EV	293	P2345 EG	354
P1346 HG	334	P1796S EG	294	P2346 EG	354
P1354 EG	340	P1796S HG	294	P2346 GR	354
P1354A EG	341	P1796S SS	294	P2347 EG	355
P1354AW EG	341	P1834 EG	366	P2348 EG	355
P1358 EG	324	P1843 EG	342	P2378-2 EG	317
P1359 EG	335	P1873 EG	326	P2379-2 EG	317
P1377 EG	345	P1924 EG	327	P2380-1 EG	317
P1379S EG	291	P1941 HG	327	P2380-2 EG	317
P1380 EG	325	P1950 EG	328	P2380-3 EG	317
P1380A EG	325	P1959 EG	328	P2381-4 EG	317
P1380A HG	325	P1964 EG	314	P2403S EG	294
P1380A SS	325	P1973 HG	347	P2407 EG	306
P1382 EG	335	P2016 EG	360	P2452 EG	303
P1383 EG	346	P2025 SS	360	P2458-18 GR	303
P1386 EG	292	P2026 SS	360	P2471 EG	314
P1386 HG	292	P2028 EG	360	P2484 EG	338
P1426 EG	359	P2030 EG	360	P2484 SS	338
P1426AS EG	359	P2055 EG	360	P2484W EG	338
P1427 EG	359	P2070-61 EG	360	P2484W SS	338
P1427AS EG	359	P2072A EG	364	P2485 EG	320
P1428 EG	359	P2072A GR	364	P2486 EG	320
P1428AS EG	359	P2072A HG	364	P2540 EG	315
P1429 EG	359	P2072ASQ EG	364	P2541 EG	315
P1429AS EG	359	P2072ASQ HG	364	P2543 HG	302
P1430 EG	359	P2072ASQ SS	364	P2545 HG	302
P1430AS EG	359	P2072ASQ ST	364	P2545 SS	302
P1431 EG	359	P2072SQ EG	364	P2546 HG	302
P1431AS EG	359	P2072SQ HG	364	P2547 HG	302
P1453 EG	344	P2073A EG	365	P2558-10 HG	361
P1458 EG	336	P2073A HG	365	P2558-20 EG	361
P1458 HG	336	P2073ASQ EG	365	P2558-20 HG	361
P1498 EG	336	P2073ASQ HG	365	P2558-20 SS	361
P1546 EG	342	P2073ASQ SS	365	P2558-40 EG	361
P1565 EG	359	P2079 EG	329	P2600	361
P1566 EG	359	P2223 EG	349	P2749 EG	366
P1648S EG	292	P2225 GR	350	P2750 EG	367
P1650S EG	292	P2226 EG	350	P2751 EG	367
P1651S HG	292	P2227 EG	351	P2784-1 EG	295
P1653S EG	292	P2229 EG	351	P2785 EG	295
P1726 EG	326	P2230 EG	352	P2785 HG	295
P1737 EG	346	P2234A HG	301	P2785 SS	295
P1747 EG	337	P2263 EG	343	P2785 ST	295
P1750 EG	337	P2265 EG	343	P2786 EG	296
P1754 FG	305	P2265 SS	343	P2786 HG	296
P1777 EG	300	P2266 EG	343	P2787 EG	296
P1789 EV	293	P2324 EG	329	P2787 HG	296
P1789A EV	293	P2325 HG	330	P2800-50 EG	347

Index

Part Number	Page #	Part Number	Page #	Part Number	Page #
P2815 EG	304	P4008 SS	289	PA4090EL00	155
P2824-12 EG	297	P4010 EG	289	PV-TOUCHUP-BLACK-PT	248
P2824-9 EG	297	P4010T EG	288	PV-TOUCHUP-SPRAY	248
P2859-10 BK	307	P4100 10PG	279	PV0000B22SH	245
P2859-10 GY	307	P4100 10SS	279	PV0000B52SH	245
P2859-10 WH	307	P4100 20PG	279	PV0500CP00	232
P2860-10 VY	307	P4100T 10HG	279	PV0500LT50	237
P2860-33 VY	307	P4100T 10PG	279	PV0500LT5045	238
P2860-50 VY	307	P4100T 10SS	279	PV0500LT5090	239
P2863 EG	330	P4100T 20PG	279	PV0500ST1	229
P2864 EG	330	P4101T 10PG	281	PV0510CT00	121
P2864 HG	330	P4376A EG	348	PV0590EL00	154
P2893 EG	297	P5000 10PG	274	PV07001S00	247
P2898-37 EG	298	P5000 20PG	274	PV0700B2009	246
P2898-50 EG	298	P5000T 10PG	274	PV0700C27	222
P2899-37 EG	298	P5000T 20PG	274	PV0700C28	226
P2941 EG	365	P5001 20PG	275	PV0700CB2	247
P2942 EG	365	P5500 20PG	276	PV0700CP00	232
P2942 HG	365	P5500T 20PG	276	PV0700EYS21	241
P2944 HG	301	P5501 20PG	277	PV0700EYS216	243
P2944 SS	301	P5510 EG	290	PV0700FD2	234
P2945 HG	301	P6347 EG	373	PV0700FDC2	235
P2946 HG	301	P6805 SS	373	PV0700FS2	236
P2947 HG	301	P7000 10PG	282	PV0700LB27	223
P2947 SS	301	P7000 10PL	282	PV0700LB28	227
P2949 EG	368	P7000 10SS	282	PV0700LL27	223
P2950 EG	368	P7006-1032EG	372	PV0700LL28	227
P3006-1024EG	289	P7006-1420EG	372	PV0700LR27	224
P3006-1420EG	289	P9010 EG	374	PV0700LT75	237
P3008 EG	289	P9324 EG	374	PV0700LT7590	239
P3010 EG	289	PA0700CP00	233	PV0700MH00	247
P3010 HG	289	PA0710CT00	122	PV0700ST2	229
P3013 EG	289	PA0790EL00	155	PV0700STG2	231
P3087 EG	310	PA1000CP00	233	PV0700T27	224
P3184 10PG	308	PA1000STA3	230	PV0700T28	228
P3184P 10GY	308	PA1010CT00	122	PV0700TB27	225
P3246-125 ST	310	PA1090EL00	155	PV0700TB28	228
P3280 EG	306	PA1290EL00	155	PV0700UNY205	249
P3300 10HG	273	PA1500CP00	233	PV0710CT00	121
P3300 10PG	273	PA1510CT00	122	PV0710CT00-E	121
P3300 10PL	273	PA1590EL00	155	PV0760CN00	240
P3300 20PG	273	PA2000CP00	233	PV0790EL00	154
P3300 20PL	273	PA2000EYS66SA	244	PV1000B2010	246
P3300T 10PG	273	PA2010CT00	122	PV1000CP00	232
P3300T 20PG	273	PA2024SW90	156	PV1000EYS3	241
P3412 EG	362	PA2090EL00	155	PV1000EYS316	243
P3413 EG	362	PA2510CT00	122	PV1000LB37	223
P3663 EG	311	PA3000CP00	233	PV1000LB38	227
P4006-1420EG	289	PA3010CT00	122	PV1000LL37	223
P4006U1420SS	289	PA3090EL00	155	PV1000LR37	224
P4007M8 EG	289	PA4000CP00	233	PV1000LT100	237
P4008 EG	289	PA4010CT00	122	PV1000LT10090	239

Index

Part Number	Page #	Part Number	Page #	Part Number	Page #
PV1000ST3	229	PV3590EL00.....	154	SC200RKON.....	171
PV1000STG3.....	231	PV4000B2017.....	246	SC250-ICRKON.....	171
PV1000T37.....	224	PV4000CP00.....	232	SC250RKON.....	171
PV1000T38	228	PV4000STG10.....	231	SC300-ICRKON.....	171
PV1010CT00	121	PV4010CT00.....	121	SC300RKON.....	171
PV1010CT00-E.....	121	PV4010CT00-E.....	121	SC350RKON.....	171
PV1012CN00	240	PV4030EL00.....	155	SC400-ICRKON	171
PV1036SW90.....	156	PV4036SW90.....	156	SC400RKON.....	171
PV1090EL00	154	PV4045EL00.....	155	SC50-ICRKON.....	171
PV1200CP00	232	PV4048SW90.....	156	SC50RKON.....	171
PV1200LB47	223	PV4090EL00	154	SC75-ICRKON.....	171
PV1200STG4.....	231	PV5010CT00.....	121	SC75RKON.....	171
PV1200T47	224	PV5036SW90.....	156	SE100-1KON.....	173
PV1210CT00.....	121	PV5048SW90.....	156	SE100-2KON.....	173
PV1210CT00-E.....	121	PV5090EL00	154	SE125-1KON.....	173
PV1290EL00.....	154	PV6090EL00	154	SE150-1KON.....	173
PV1500B2012.....	246	QL-50DBKON.....	175	SE150-2KON.....	173
PV1500CP00.....	232	QL-50DKON.....	176	SE200-1KON.....	173
PV1500LB58.....	227	QL-50KON.....	176	SE200-2KON.....	173
PV1500ST5.....	229	QL-75KON.....	176	SE250-2KON.....	173
PV1500STG5.....	231	QUICK-LATCH.....	65	SE300-2KON.....	173
PV1510CT00.....	121	RCC200KON.....	252	SE400-1KON.....	173
PV1590EL00.....	154	RCK400KON		SE400-2KON.....	173
PV2000B2013.....	246	(SRCKR400KON).....	253	SE50-1KON.....	173
PV2000CP00.....	232	S004B42T00.....	37	SE50-2KON.....	173
PV2000EYS66.....	243	S004B42T01.....	37	SE75-1KON.....	173
PV2000LB67.....	223	S004B42T02.....	37	SE75-2KON.....	173
PV2000LB68.....	227	S004B42T03.....	37	SEC100KON.....	257
PV2000LL67.....	223	S004B42T04.....	37	SEC150KON.....	257
PV2000LR67.....	224	S004B42T05.....	37	SEC200KON.....	257
PV2000LT200.....	237	S004B42T07.....	37	SEC250KON.....	257
PV2000ST6.....	229	S004B60T00.....	37	SEC300KON.....	257
PV2000T67.....	224	S004B60T01.....	37	SEC350KON.....	257
PV2000TB67.....	225	S004B60T03.....	37	SEC400KON.....	257
PV2010CT00.....	121	S004B60T04.....	37	SEC500KON.....	257
PV2010CT00-E.....	121	S004B60T05.....	37	SEC75KON.....	257
PV2036SW90.....	156	S005B42T00.....	37	SECR300KON.....	256
PV2090EL00	154	S005B42T01.....	37	SF10R60-00.....	14
PV2500CP00	232	S005B60T00.....	37	SF34R60-00.....	14
PV2510CT00	121	S058B42T00.....	37	SK100RKON.....	172
PV2524SW90.....	156	S058B60T00.....	37	SK125RKON.....	172
PV2590EL00.....	154	S059B42T00.....	37	SK150RKON.....	172
PV3000B2015.....	246	S60500CTCC.....	107	SK200RKON.....	172
PV3000CP00.....	232	S60500CTFC.....	108	SK250RKON.....	172
PV3000ST8.....	229	S60700CTFC.....	108	SK300RKON.....	172
PV3010CT00.....	121	SC100-ICRKON.....	171	SK350RKON.....	172
PV3010CT00-E.....	121	SC100RKON.....	171	SK400RKON.....	172
PV3036SW90.....	156	SC125-ICRKON.....	171	SK50RKON.....	172
PV3048SW90.....	156	SC125RKON.....	171	SK75RKON.....	172
PV3090EL00	154	SC150-ICRKON.....	171	SL04B42-L00.....	50
PV3510CT00	121	SC150RKON.....	171	SL04B42-L01.....	50
PV3536SW90	156	SC200-ICRKON.....	171	SL04B42-L03.....	50

Index

Part Number	Page #	Part Number	Page #	Part Number	Page #
SLO4B42-L04	50				
SLO4B42-L05	50				
SLO4B42-L07.....	50				
SLO4B60-L00	50				
SPLIT-BOLT.....	74				
SRCC250KON	259				
SRCC300KON.....	259				
SRCC400KON.....	259				
SRCKR400KON (RCK400KON)	258				
SSC-75KON.....	165				
T-BAR.....	69				
T-BAR-22.....	69				



**BUILDING BETTER
TOGETHER**

Atkore
4949 Joseph Hardin Drive
Dallas, TX 75236

TOLL FREE / 800-882-5543
LOCAL / 800-882-5543

rscustomerservice@atkore.com

atkore.com

Want to join a company that helps you build
the mindset, skill set and tool set for success?
Visit us at atkore.com/careers

©2024 Atkore. All rights reserved. ATKR-CAT-6809-2404